



US00D804705S

(12) **United States Design Patent**
Nevins et al.

(10) **Patent No.:** **US D804,705 S**
(45) **Date of Patent:** **** Dec. 5, 2017**

(54) **OPTIC ASSEMBLY**

(71) Applicants: **Michael Olen Nevins**, Jackson, MI (US); **Justin Baldwin**, Jackson, MI (US)

(72) Inventors: **Michael Olen Nevins**, Jackson, MI (US); **Justin Baldwin**, Jackson, MI (US)

(73) Assignee: **FULL SPECTRUM SOLUTIONS, INC**, Jackson, MI (US)

(**) Term: **15 Years**

(21) Appl. No.: **29/546,904**

(22) Filed: **Nov. 27, 2015**

(51) **LOC (10) Cl.** **26-99**

(52) **U.S. Cl.**
USPC **D26/113; D8/354**

(58) **Field of Classification Search**
USPC D8/16, 17, 18, 33, 40, 42, 43, 88, 300, D8/307, 312, 313, 321, 338, 400, 499;
(Continued)

(56) **References Cited**

U.S. PATENT DOCUMENTS

D178,212 S * 7/1956 Schreckengost D26/89
3,878,505 A * 4/1975 Seibert F21V 17/20
362/294

(Continued)

OTHER PUBLICATIONS

Home >Products Catalog > LED High Bay > 30W Pendant Light / LED High Bay, posted May 17, 2013, [retrieved Apr. 19, 2017]. Retrieved from Internet, <URL: <http://www.ecvv.com/product/3923893.html> >.*

(Continued)

Primary Examiner — Barbara Fox

Assistant Examiner — Kristin E Reed

(74) *Attorney, Agent, or Firm* — Hauptman Ham, LLP

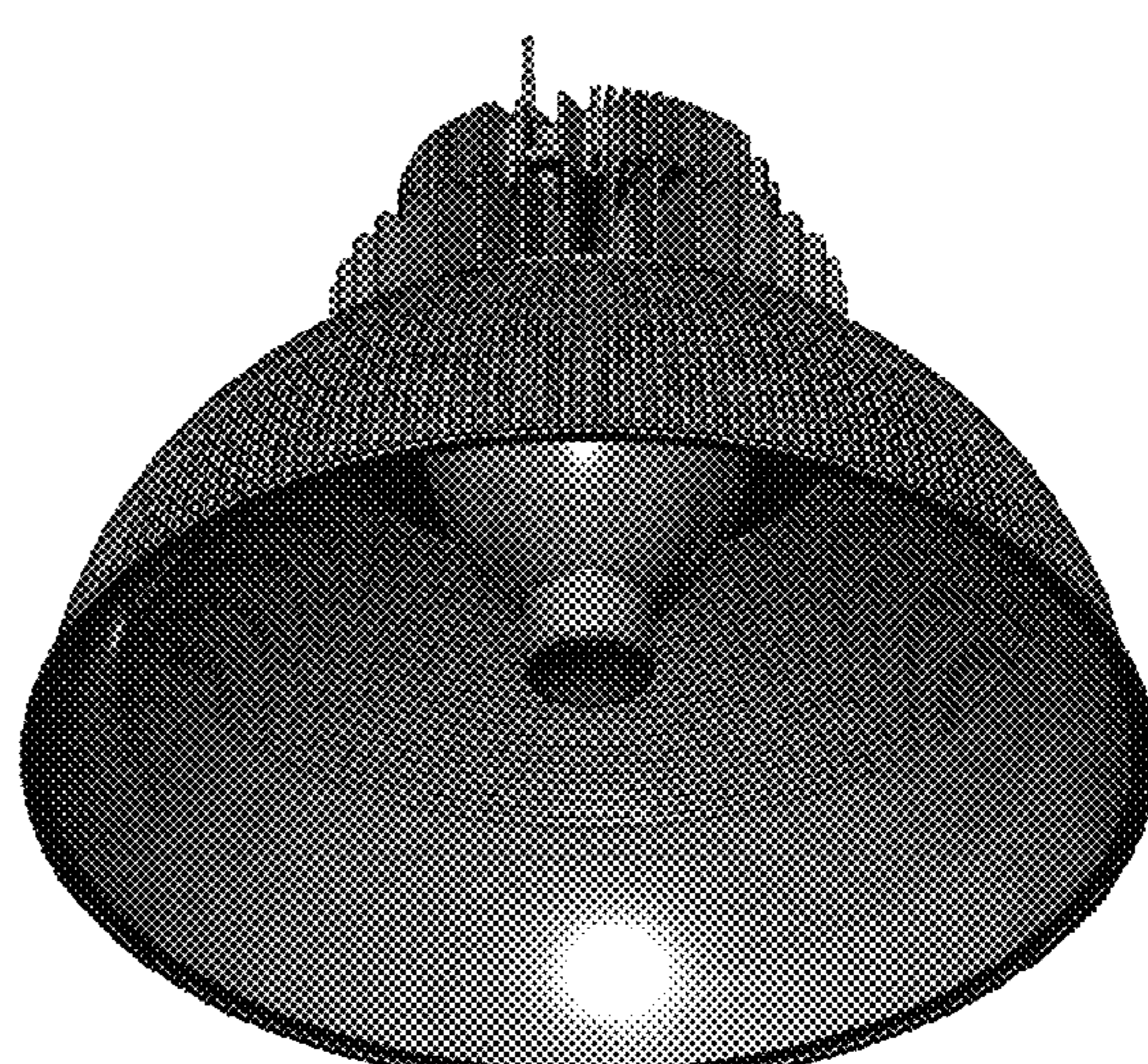
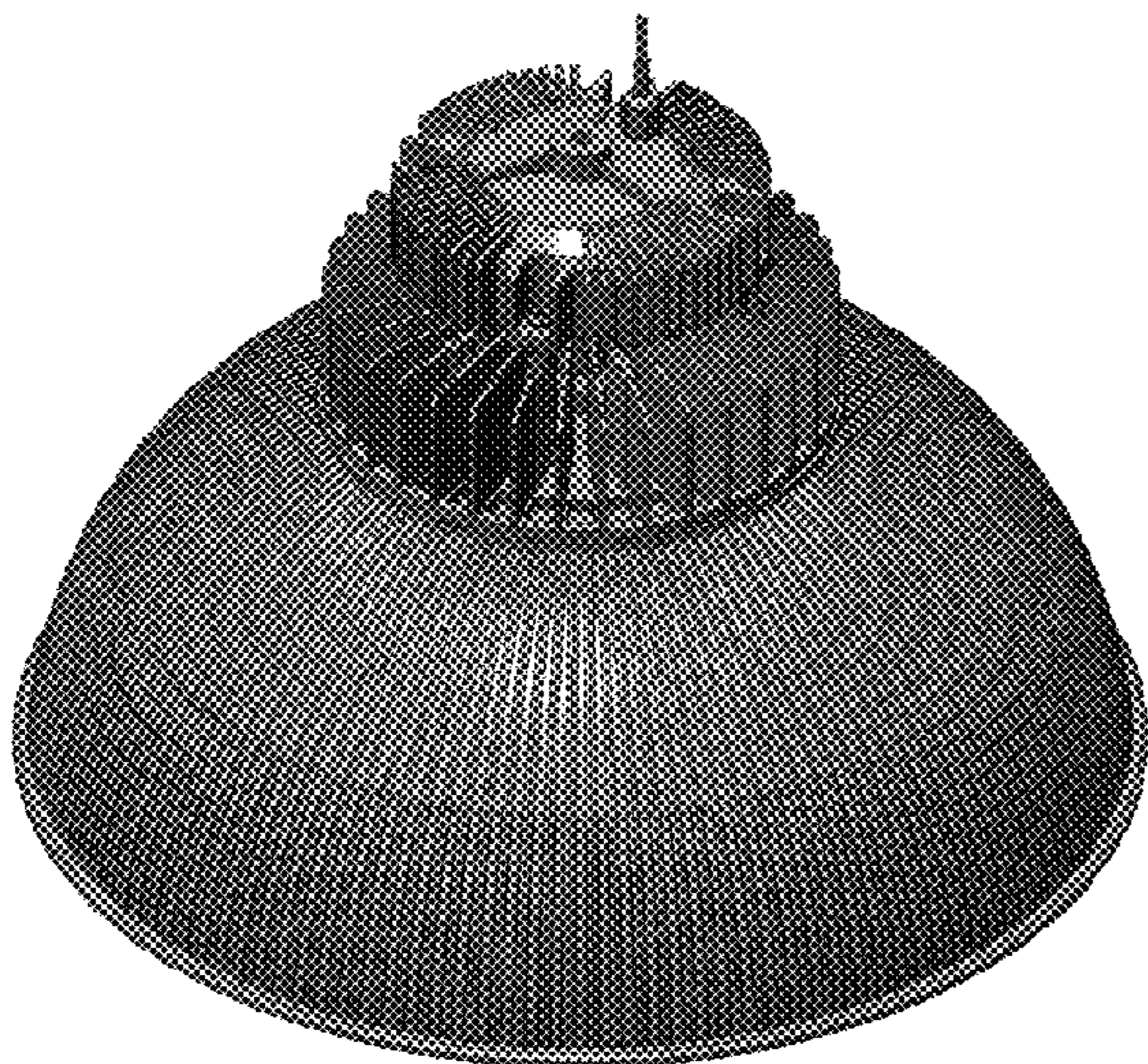
(57) **CLAIM**

We claim the ornamental design for an optic assembly, as shown.

DESCRIPTION

FIG. 1 is a front view of an optic assembly showing the new design;
FIG. 2 is a rear view thereof;
FIG. 3 is a right side view thereof;
FIG. 4 is a left side view thereof;
FIG. 5 is a top view thereof;
FIG. 6 is a bottom view thereof with an overoptic attached;
FIG. 7 is a top perspective view thereof;
FIG. 8 is a bottom perspective view thereof;
FIG. 9 is another top perspective view of the design shown in FIG. 1;
FIG. 10 is another bottom perspective view of the design shown in FIG. 8;
FIG. 11 is another bottom perspective view thereof;
FIG. 12 is another bottom perspective view thereof;
FIG. 13 is bottom perspective view of the optic assembly with the overoptic removed for ease of illustration;
FIG. 14 is bottom view thereof;
FIG. 15 is another bottom perspective view thereof;
FIG. 16 is another bottom perspective view thereof;
FIG. 17 is a top view of the overoptic shown separately for ease of illustration;
FIG. 18 is a bottom view thereof;
FIG. 19 is a top perspective view thereof;
FIG. 20 is another top perspective view thereof;
FIG. 21 is a left side view thereof;
FIG. 22 is a right side view thereof;
FIG. 23 is a bottom perspective view thereof; and,
FIG. 24 is another bottom perspective view thereof.

1 Claim, 24 Drawing Sheets



(58) **Field of Classification Search**

USPC D26/24, 26, 28, 72, 73, 85, 89, 113, 118,
 D26/120, 122; D25/48.4, 126; D24/135,
 D24/144, 176, 214, 216, 224, 227, 229;
 D9/433; D7/691; D3/299; D16/134;
 D23/235, 238, 241, 247, 259
 CPC B67B 7/14; B67B 7/16; B67B 7/44; B67B
 7/18; B67B 2007/166; B67B 7/0441;
 B67B 7/0447; B67B 7/066; B67B 7/0405;
 B67B 7/0417; B67B 7/162; B67B 7/00;
 B67B 7/04; B67B 7/0411; B67B 7/0423;
 B67B 7/06; B67B 7/182; B67B 7/385;
 A47G 23/0241; B26B 11/00; G10K 3/00;
 A44C 5/0007; B25F 1/006; B25F 1/00;
 B25F 1/003; B25F 5/021; Y10T
 29/49822; Y10T 24/44564; B25B
 23/1427; F21S 8/00; F21V 21/30; F21V
 29/00; F21V 17/00; B60Q 1/124; B65D
 5/10; B65D 5/00; B65D 85/30; B65D
 85/32; A47J 43/28; A61B 18/18

See application file for complete search history.

(56) **References Cited**

U.S. PATENT DOCUMENTS

D254,215 S * 2/1980 Yahraus D26/71
 D352,797 S * 11/1994 Mehaffey D26/85
 D367,337 S * 2/1996 Barnes D26/134
 D394,121 S * 5/1998 Seid D26/28
 D400,292 S * 10/1998 Hoffbauer D26/118
 D431,316 S * 9/2000 Tickner D26/118
 D442,323 S * 5/2001 McBride D26/113
 D465,588 S * 11/2002 Nagano D26/28
 D471,124 S * 3/2003 Brown D10/111
 D480,498 S * 10/2003 McBride D26/113
 D508,751 S * 8/2005 Rashidi D26/120
 D509,007 S * 8/2005 Shimada D26/28
 D516,740 S * 3/2006 Sales D26/123
 D582,600 S * 12/2008 Guercio D26/88

D586,497 S * 2/2009 Wu D26/118
 7,517,088 B1 * 4/2009 Kretzschmar F21V 9/08
 353/100
 D594,578 S * 6/2009 Hoffman D26/28
 D597,247 S * 7/2009 Meyer, IV D26/113
 D619,154 S * 7/2010 Feng D16/134
 D622,440 S * 8/2010 Briese D26/118
 D624,232 S * 9/2010 Summers F21L 4/005
 D26/113
 D629,557 S * 12/2010 Tseng D26/118
 7,862,214 B2 * 1/2011 Trott F21S 8/026
 248/312.1
 D657,088 S * 4/2012 Miro D26/85
 D672,905 S * 12/2012 Kong D26/113
 D678,595 S * 3/2013 Wu D26/118
 D725,818 S * 3/2015 Yao D26/118
 D769,489 S * 10/2016 Ma D26/28
 D770,651 S * 11/2016 Ma D26/28
 D780,350 S * 2/2017 Dennis D26/28

OTHER PUBLICATIONS

Category: Store > Lighting > Lighting by Type > Highbay Lighting,
 posted unknown, [retrieved Apr. 19, 2017]. Retrieved from Internet,
 <URL: <http://advanteklighting.ca/index.php/products/#!/LED-Highbay-Lighting/p/43627488/category=11332145> >.*
 Home > LED Track Light > LED Wall Track Lighting/LED Ceiling
 Track Light GNH311-18W, posted unknown, [retrieved Apr. 19,
 2017]. Retrieved from Internet, <URL: <http://ledlightings.sell.ecer.com/pz6ced6e3-led-wall-track-lighting-led-ceiling-track-light-gnh311-18w.html> >.*
 Home > LEDs and SSL Design > Polycarbonate components
 simplify LED lamp design (Magazine), posted May 4, 2012,
 [retrieved Apr. 19, 2017]. Retrieved from Internet, <URL:<http://www.ledsmagazine.com/articles/2012/05/polycarbonate-components-simplify-led-lamp-design-magazine.html> >.*
 Home > Products > LUXEON|EDISON|SEOUL > IP Rated Optics,
 posted Jun. 1, 2013, [retrieved Apr. 19, 2017]. Retrieved from
 Internet, <URL: <http://www.optic-fov.com/en/products/728.html> >.*

* cited by examiner



FIG. 1

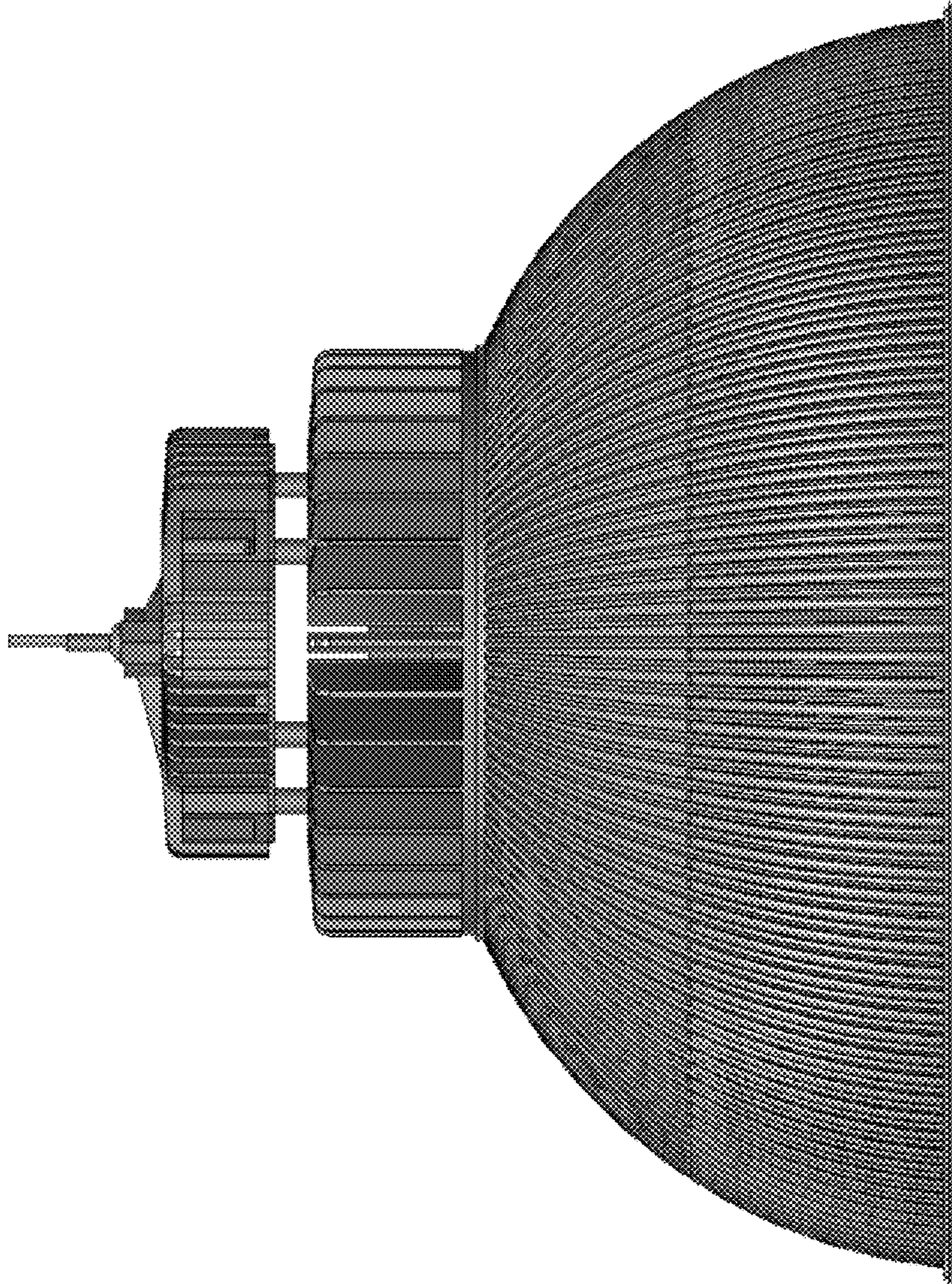


FIG. 2

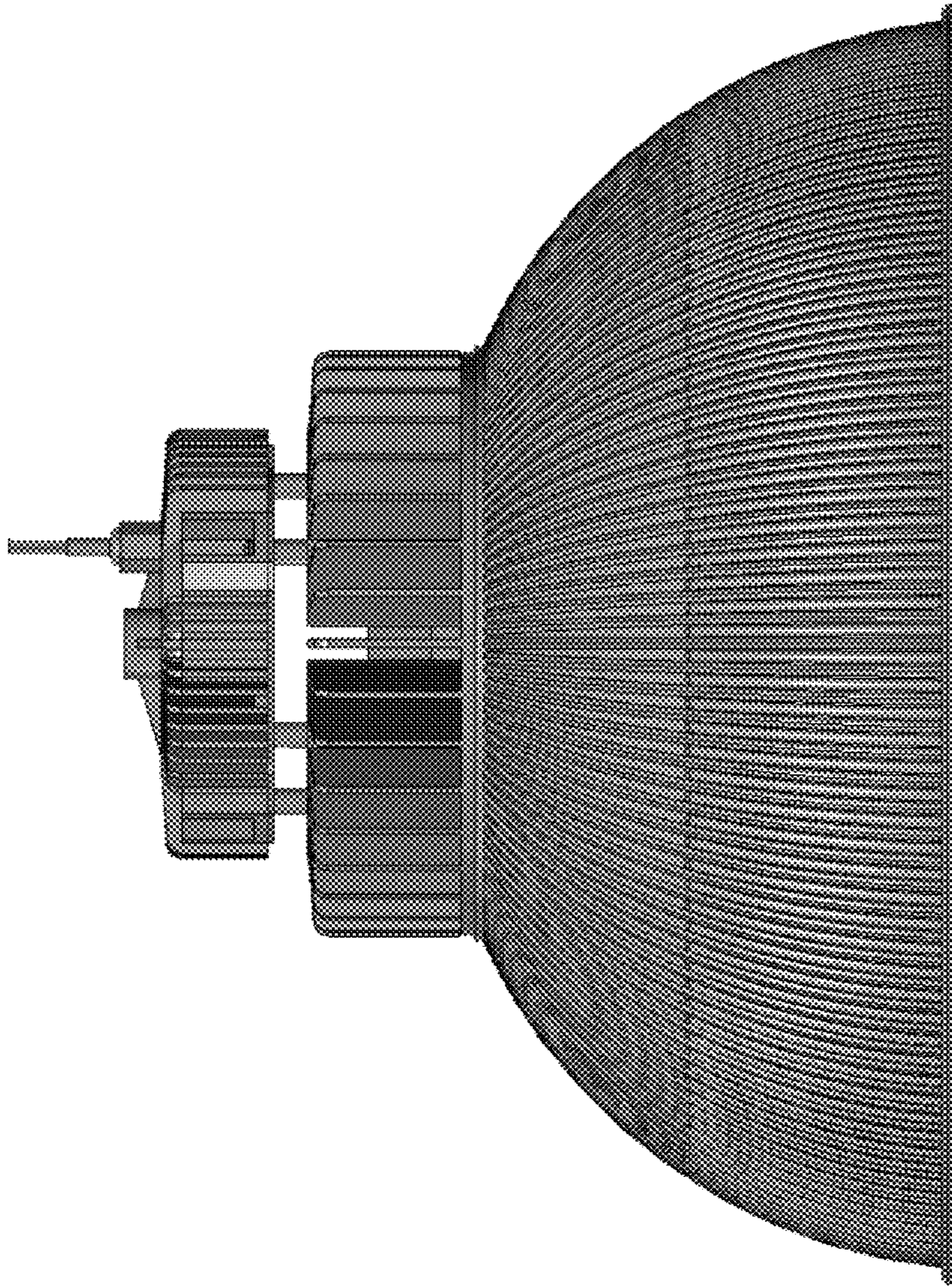


FIG. 3

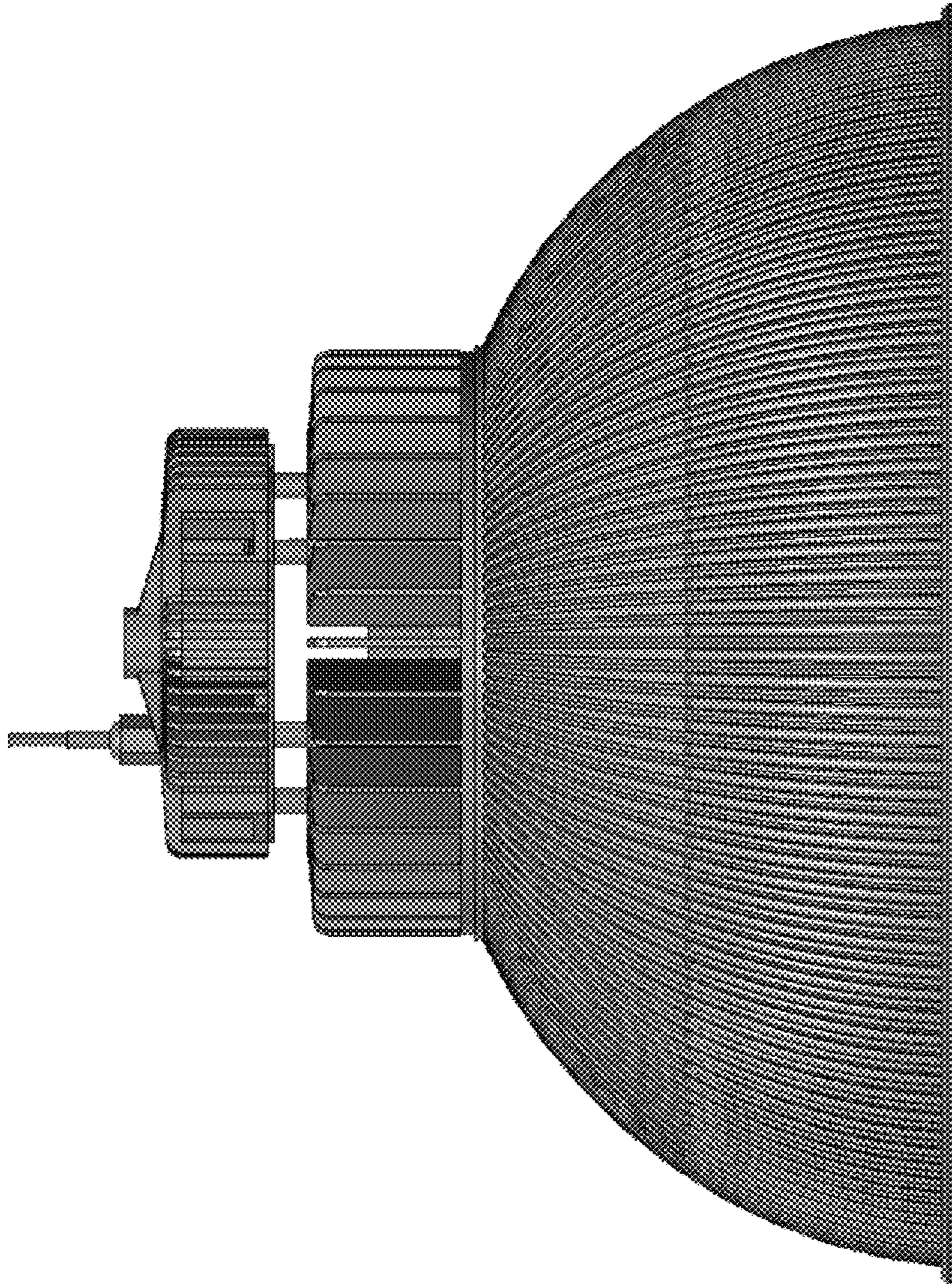


FIG. 4

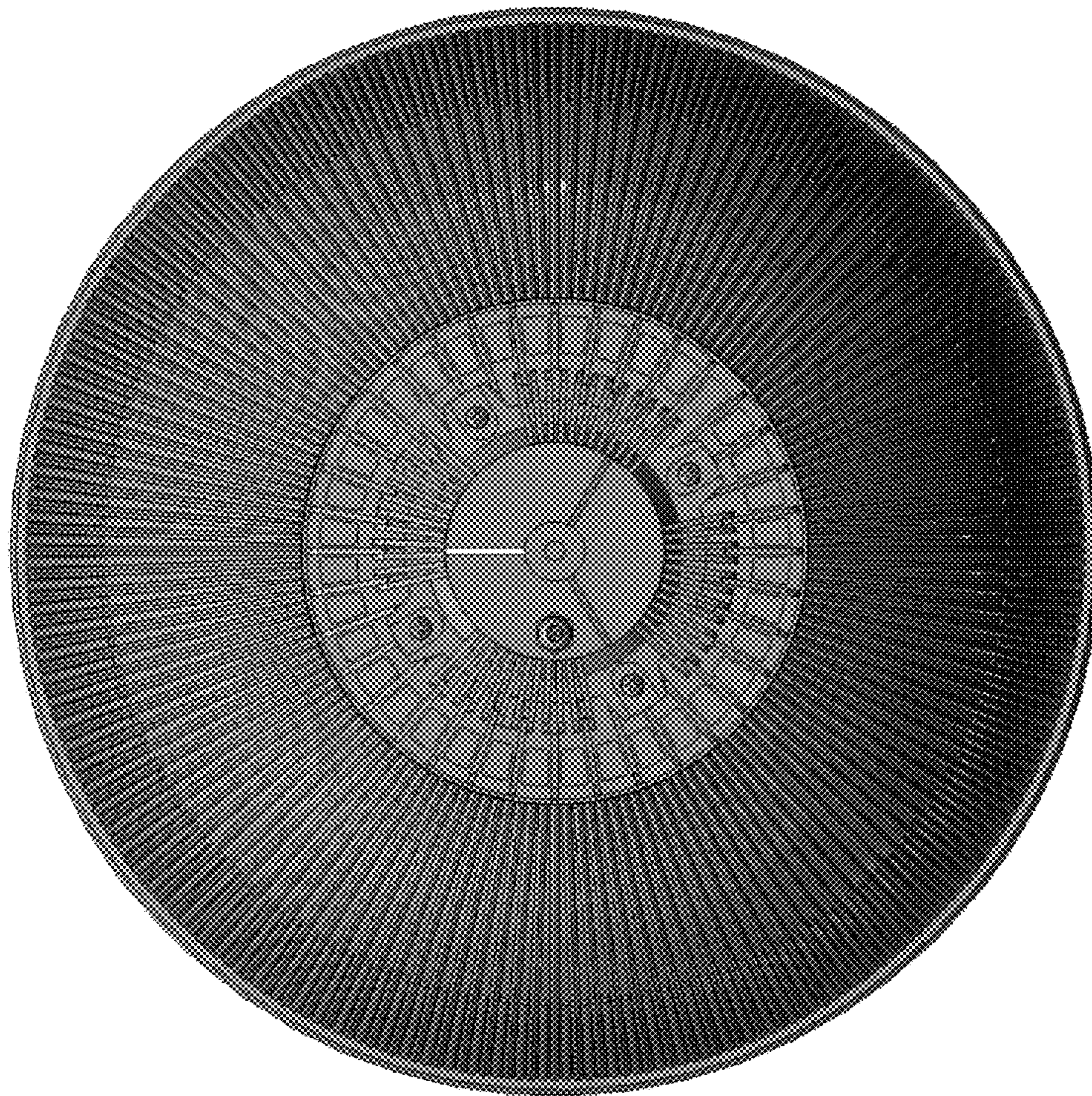


FIG. 5



FIG. 6



FIG. 7

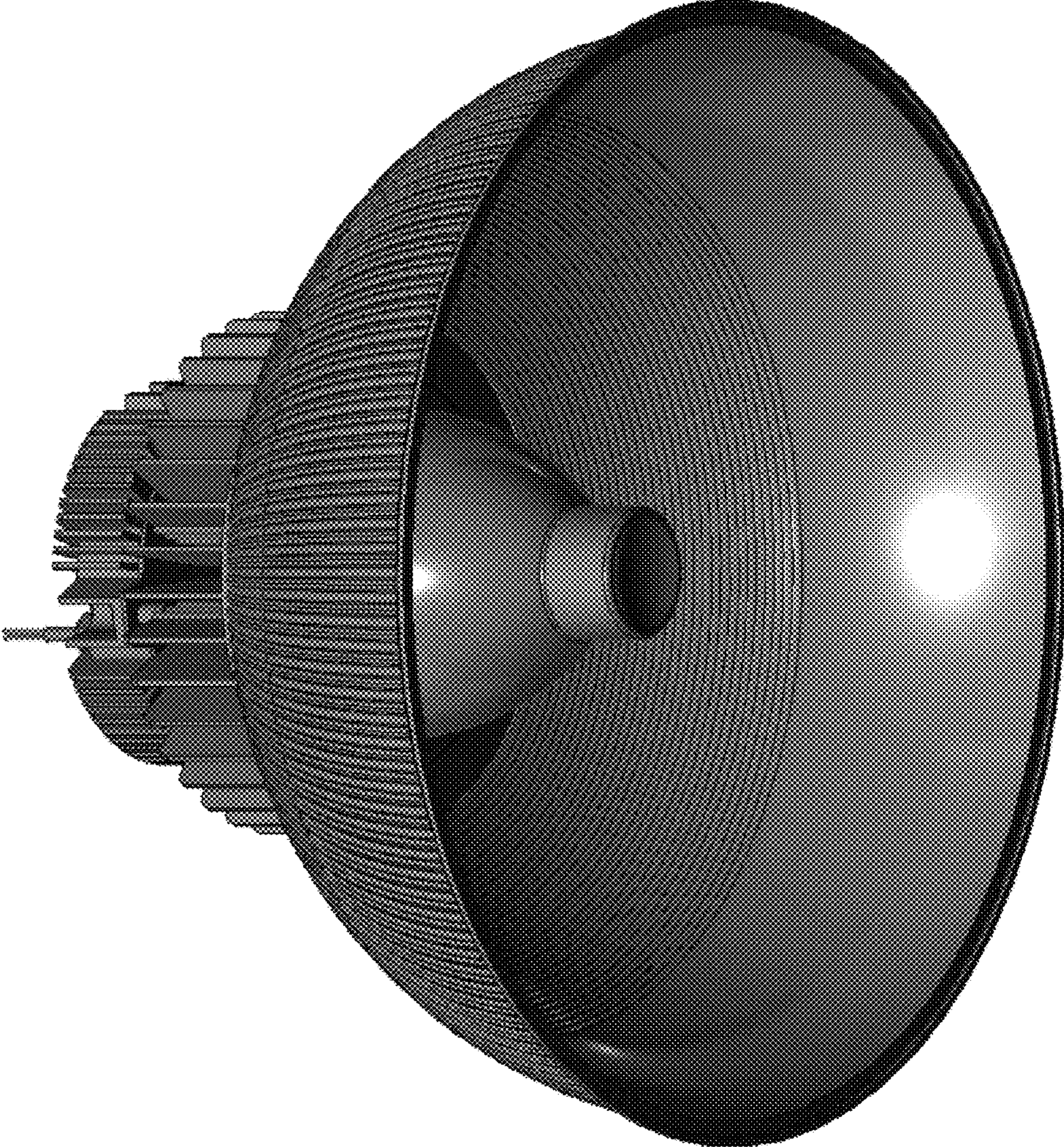


FIG. 8

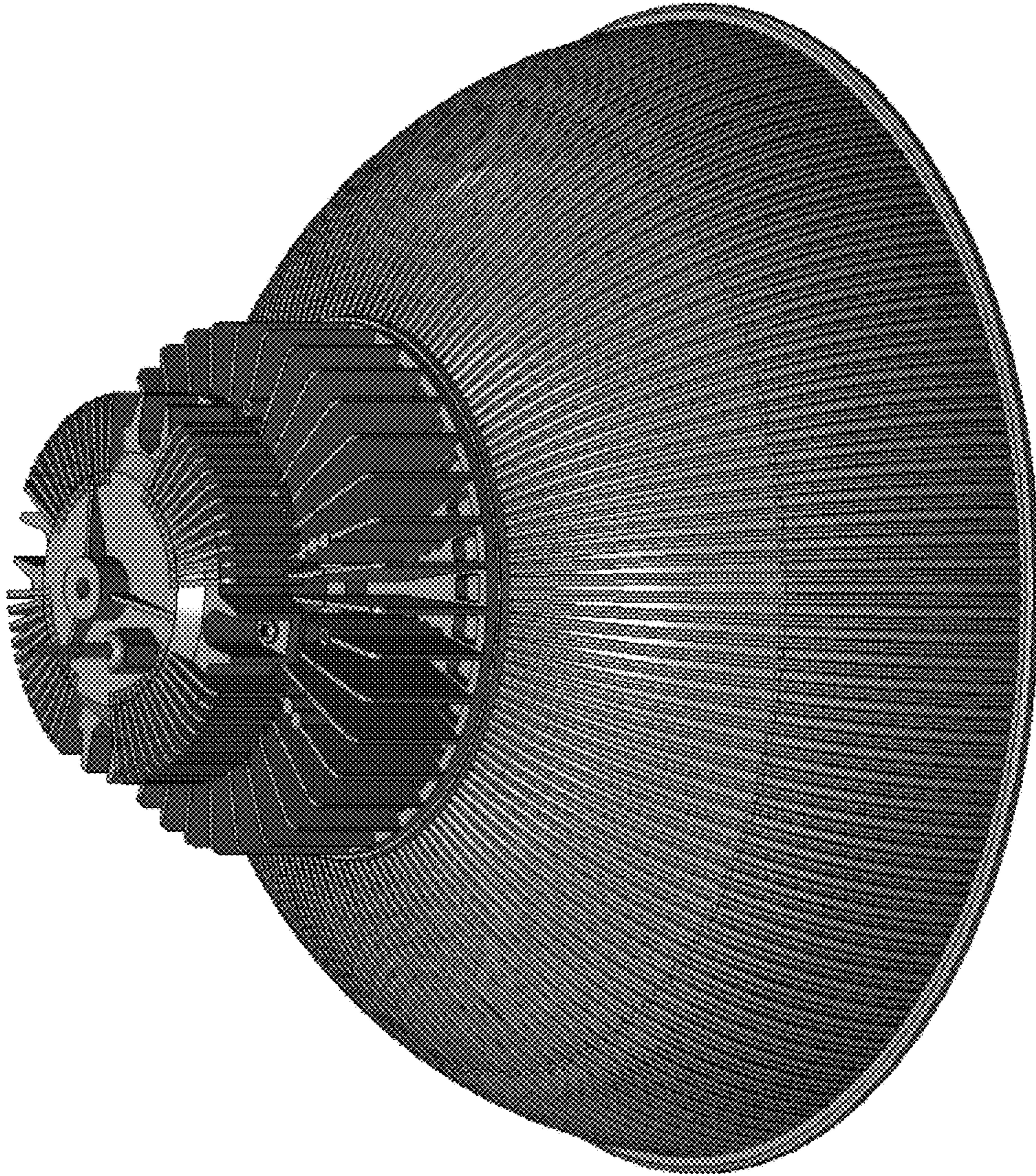


FIG. 9

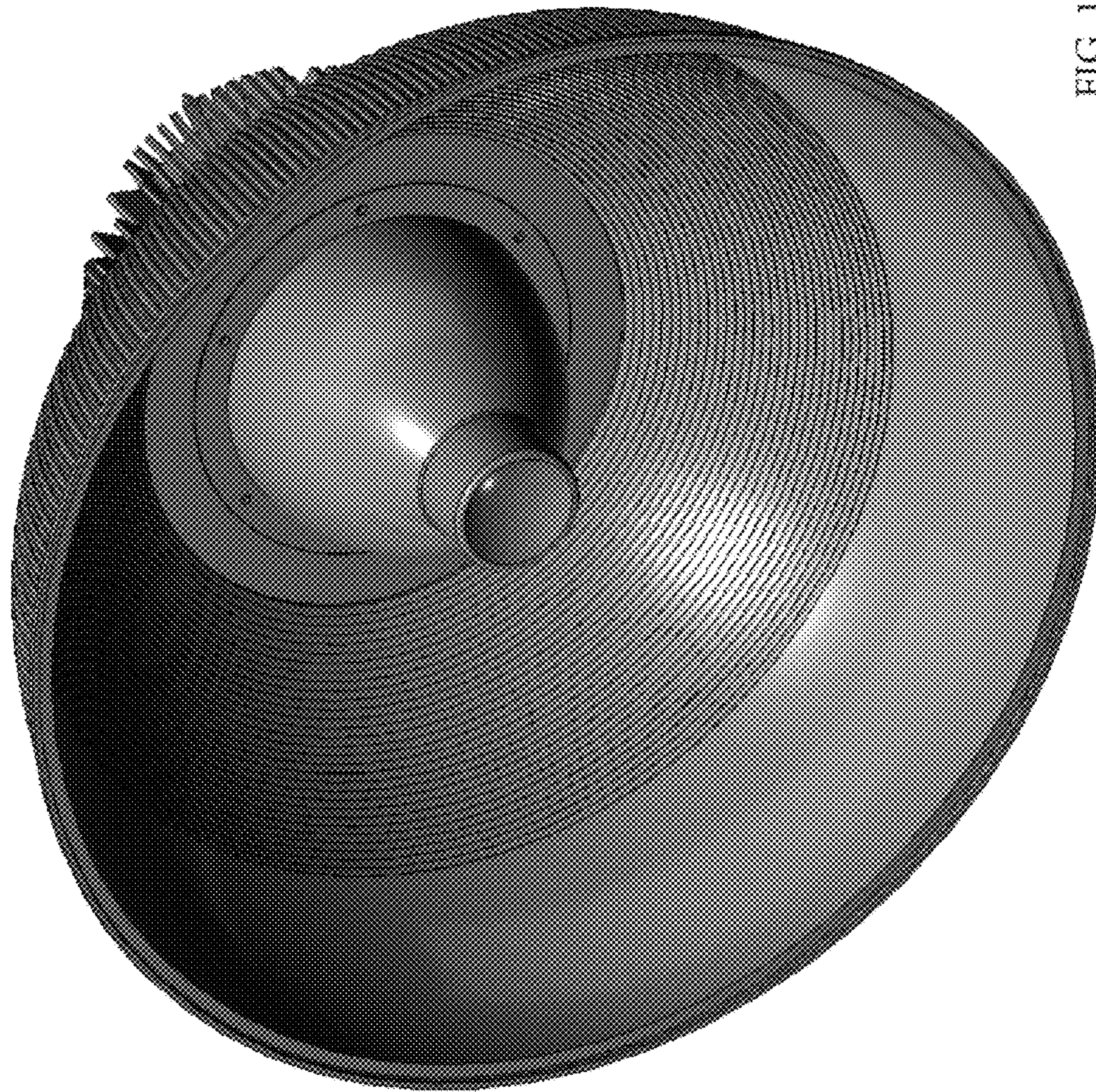


FIG. 10

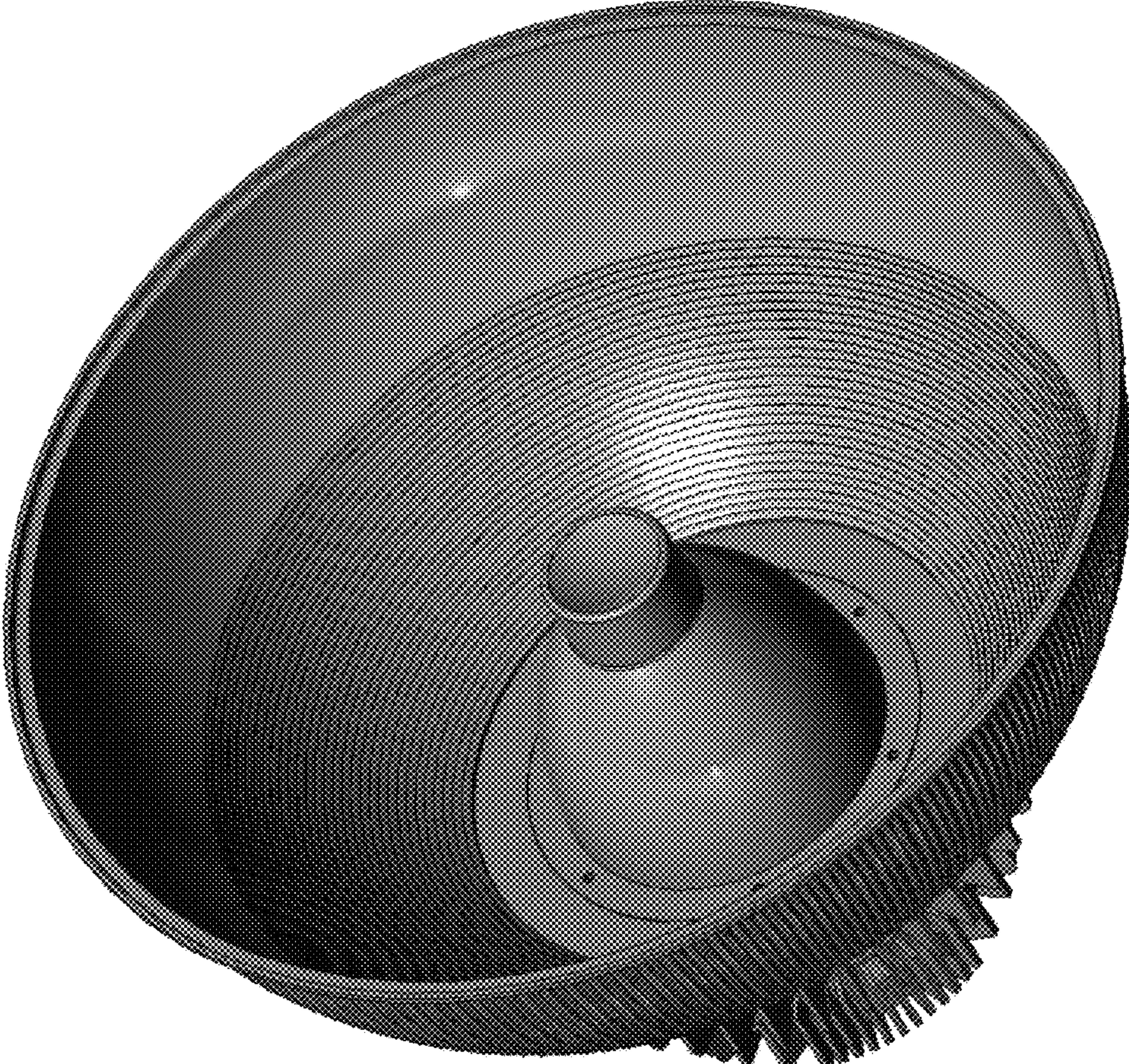


FIG. 11

FIG. 12





FIG. 13



FIG. 14



FIG. 15



FIG. 16



FIG. 17

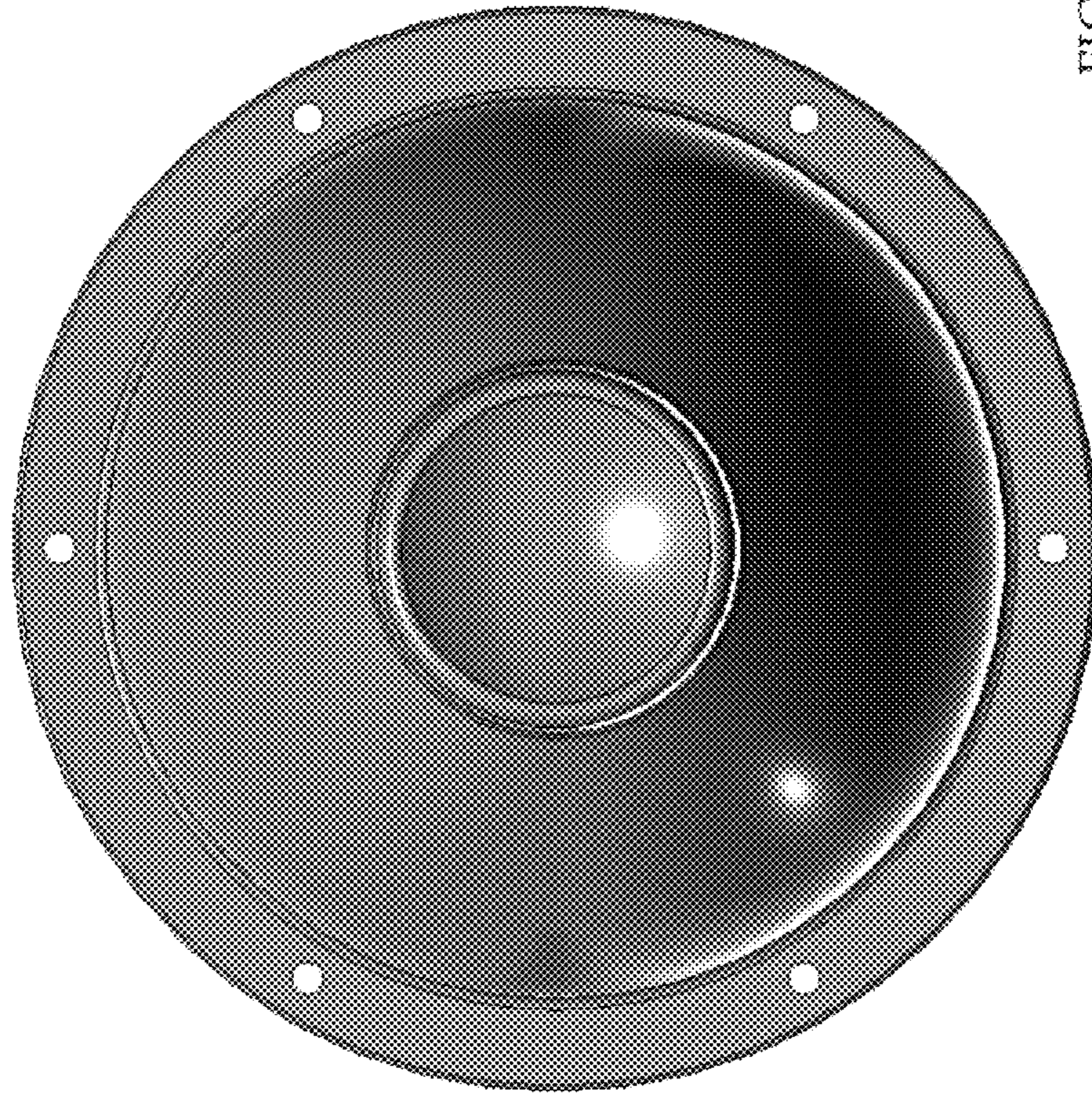


FIG. 18



FIG. 19



FIG. 20



FIG. 21

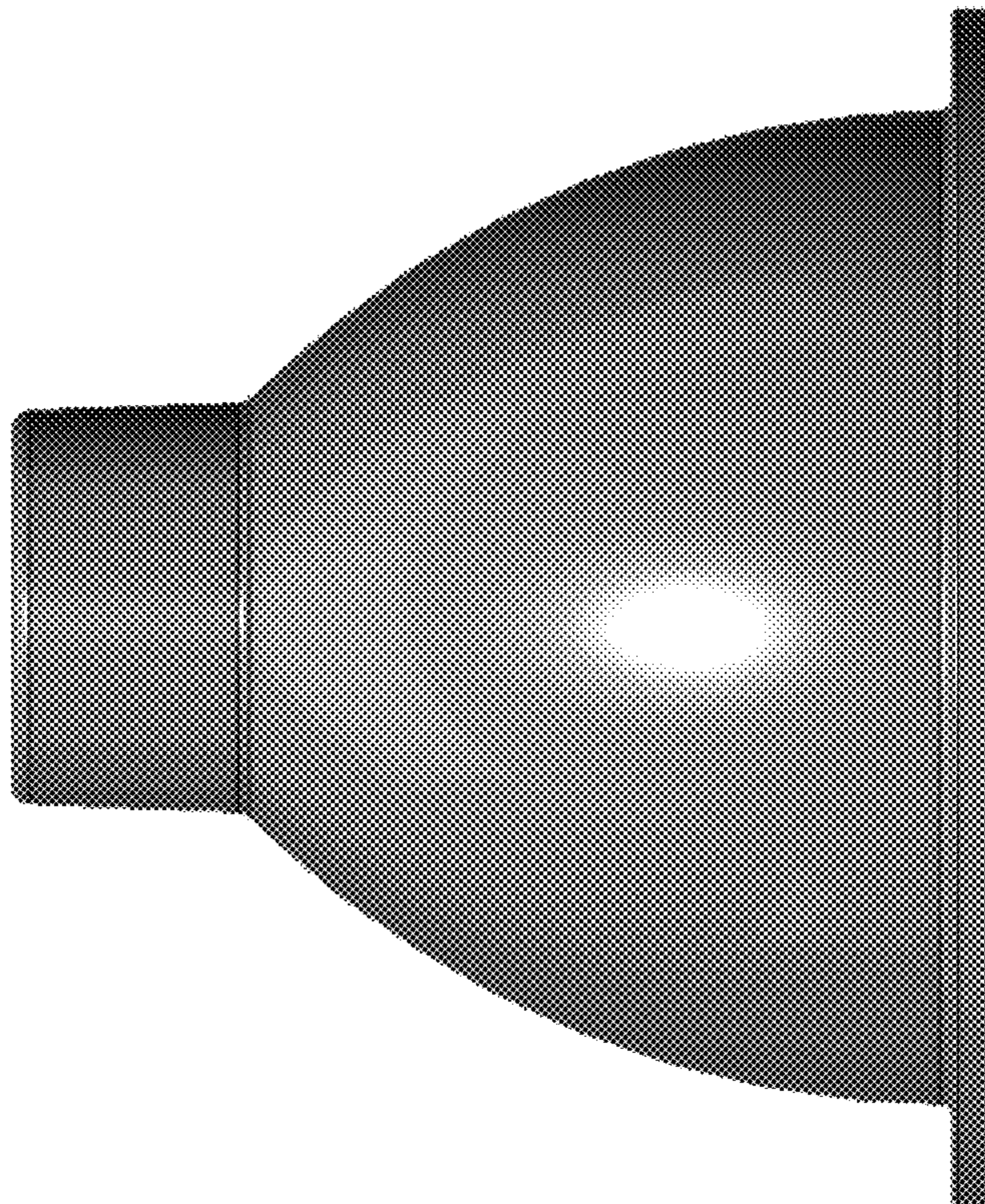


FIG. 22

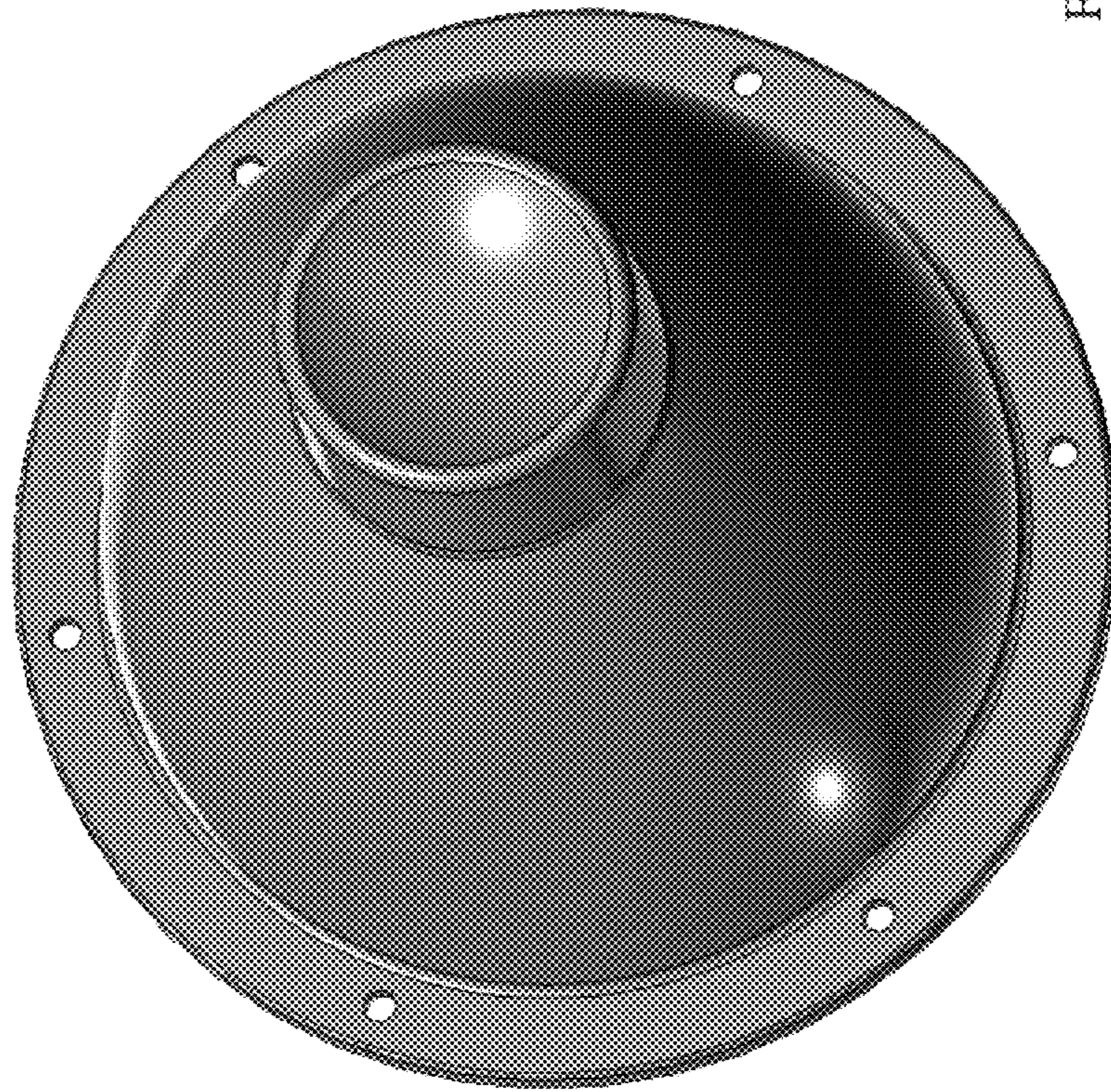


FIG. 23



FIG. 24