



US00D804704S

(12) **United States Design Patent** (10) **Patent No.:** **US D804,704 S**
Xia et al. (45) **Date of Patent:** **** Dec. 5, 2017**

(54) **LAMP**

(71) Applicant: **SHENZHEN ROYOLE TECHNOLOGIES CO. LTD.**,
Shenzhen (CN)

(72) Inventors: **Xinyuan Xia**, Shenzhen (CN);
Youxiang Ding, Shenzhen (CN); **Chao Jiang**, Shenzhen (CN); **Zhanchao Liu**,
Shenzhen (CN); **Chao Han**, Shenzhen (CN); **Xin Chen**, Shenzhen (CN)

(73) Assignee: **SHENZHEN ROYOLE TECHNOLOGIES CO., LTD.**,
Shenzhen (CN)

(**) Term: **15 Years**

(21) Appl. No.: **29/568,158**

(22) Filed: **Jun. 15, 2016**

(30) **Foreign Application Priority Data**

Dec. 16, 2015 (CN) 2015 3 0536440

(51) **LOC (10) Cl.** **26-02**

(52) **U.S. Cl.**
USPC **D26/107**

(58) **Field of Classification Search**
USPC D10/111-114.9; D14/473; D25/126,
D25/129; D26/1, 23, 24, 60-66, 93, 101,
D26/104-110, 112, 113, 118, 120, 144,
D26/154, 128, 142

CPC F21S 6/00; F21S 6/002; F21S 6/003; F21S
6/004; F21S 6/005; F21S 6/006; F21S
6/008; F21V 21/02; F21V 21/08; F21W
2131/30

See application file for complete search history.

(56) **References Cited**

U.S. PATENT DOCUMENTS

D303,580 S * 9/1989 Kyricos D26/65
D542,955 S * 5/2007 Hodgson D26/60

D603,993 S * 11/2009 Sabernig D26/65
D620,165 S * 7/2010 Huang D26/63
D622,885 S * 8/2010 Ng D26/107
D667,979 S * 9/2012 Downer D26/61
D687,584 S * 8/2013 Shek D26/65
D690,044 S * 9/2013 Ng D26/65
D690,861 S * 10/2013 Huang D26/65
D729,964 S * 5/2015 Huh D26/63
D733,955 S * 7/2015 Ng D26/107

(Continued)

OTHER PUBLICATIONS

Smart Sensor Desk lamp (available online) Retrieved from the internet May 22, 2017, retrieved from the internet URL: www.royole.com/ces2017.*

(Continued)

Primary Examiner — Garth Rademaker

Assistant Examiner — Richard Kearney

(74) *Attorney, Agent, or Firm* — Shimokaji IP

(57) **CLAIM**

The ornamental design for a lamp, as shown and described.

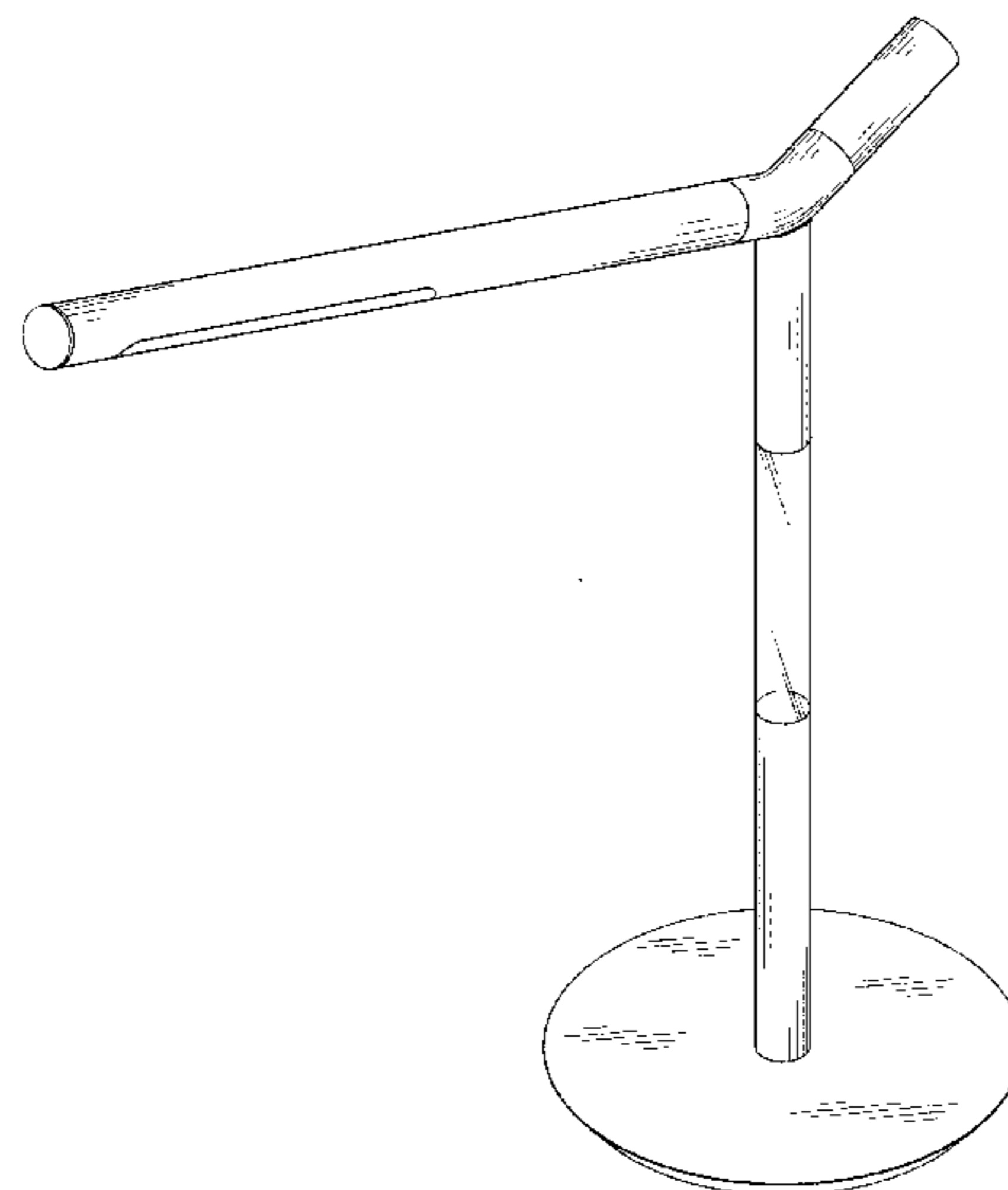
DESCRIPTION

FIG. 1 is a front view of a lamp showing our new design; FIG. 2 is a rear view thereof; FIG. 3 is a left side view thereof; FIG. 4 is a right side view thereof; FIG. 5 is a top view thereof; FIG. 6 is a bottom view thereof; and, FIG. 7 is a perspective view thereof.

A middle portion of the support rod portion of the lamp is transparent and is illustrated with oblique line shading.

The broken lines show portions of the lamp and form no part of the claimed design.

1 Claim, 6 Drawing Sheets



(56)

References Cited

U.S. PATENT DOCUMENTS

D743,614 S * 11/2015 Ng D26/107
D753,329 S * 4/2016 Lee D26/65

OTHER PUBLICATIONS

Mira Desk lamp (available online) Retrieved from the internet May 22, 2017, retrieved from the internet URL: www.etsy.com/listing/530653263/programmaluce-mira-desk-lamp-crome?ref=market.*

Tubular Halogen Desk lamp (available online) Retrieved from the internet May 22, 2017, retrieved from the internet URL: www.mikesmcm.com/products/mario-arnaboldi-programmaluce-tubular-halogen-desk-lamp-italian-mid-century.*

Tube Floor Lamp (available online) Retrieved from the internet May 22, 2017, retrieved from the internet URL: www.lynngoodvintage.com/collection/sold/robert-sonneman-bent-tube-floor-lamp.*

* cited by examiner

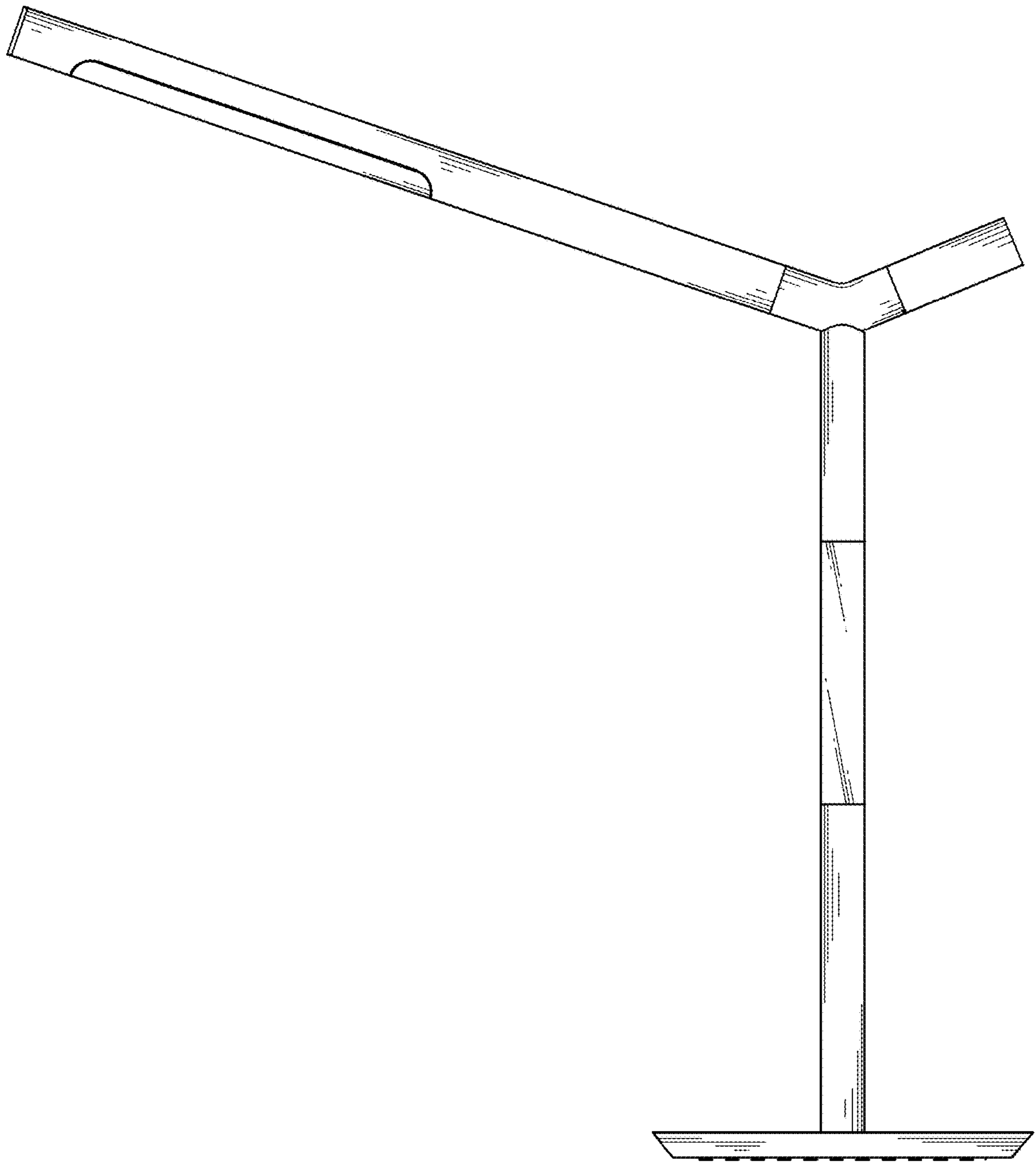


FIG. 1

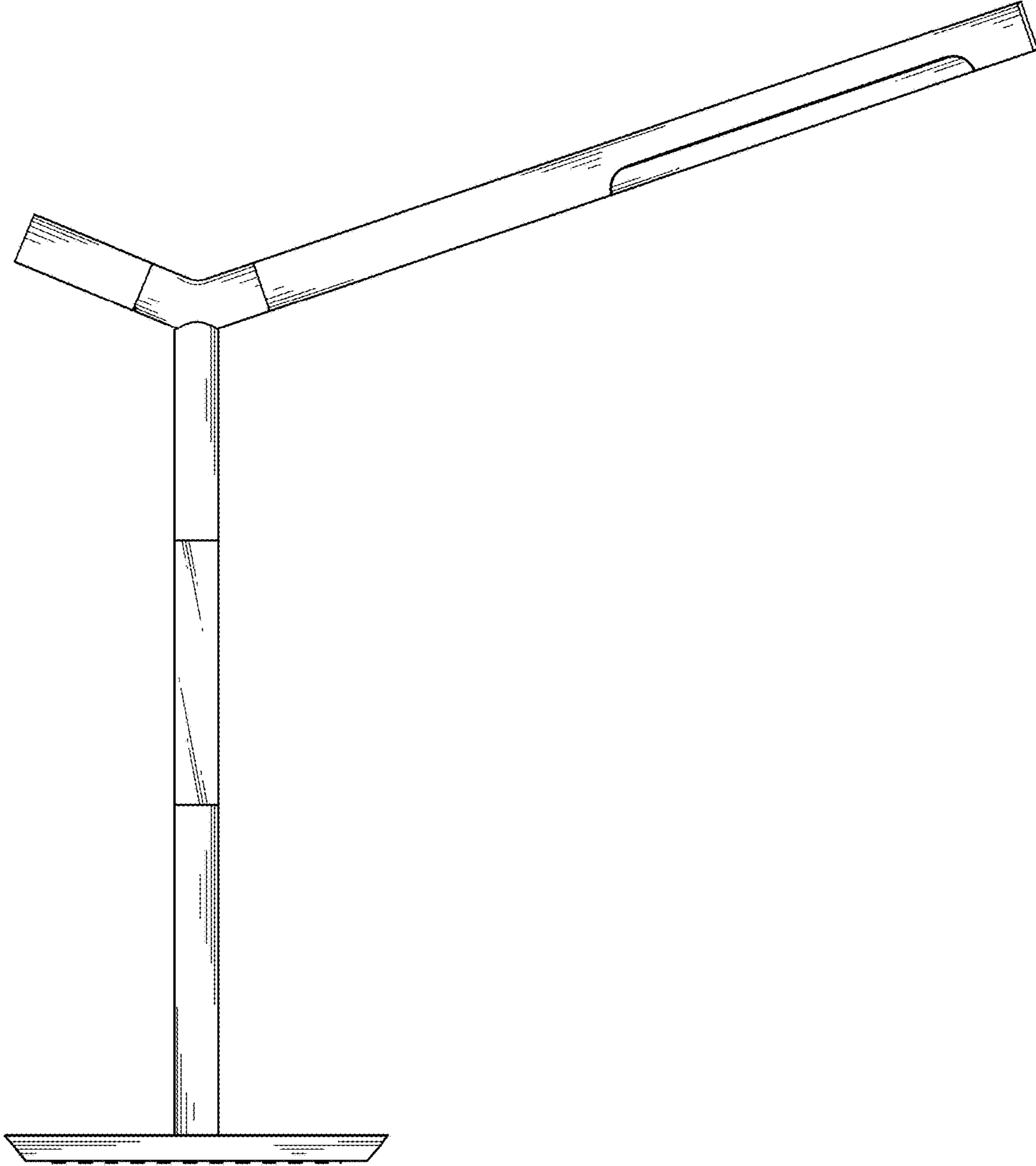


FIG.2

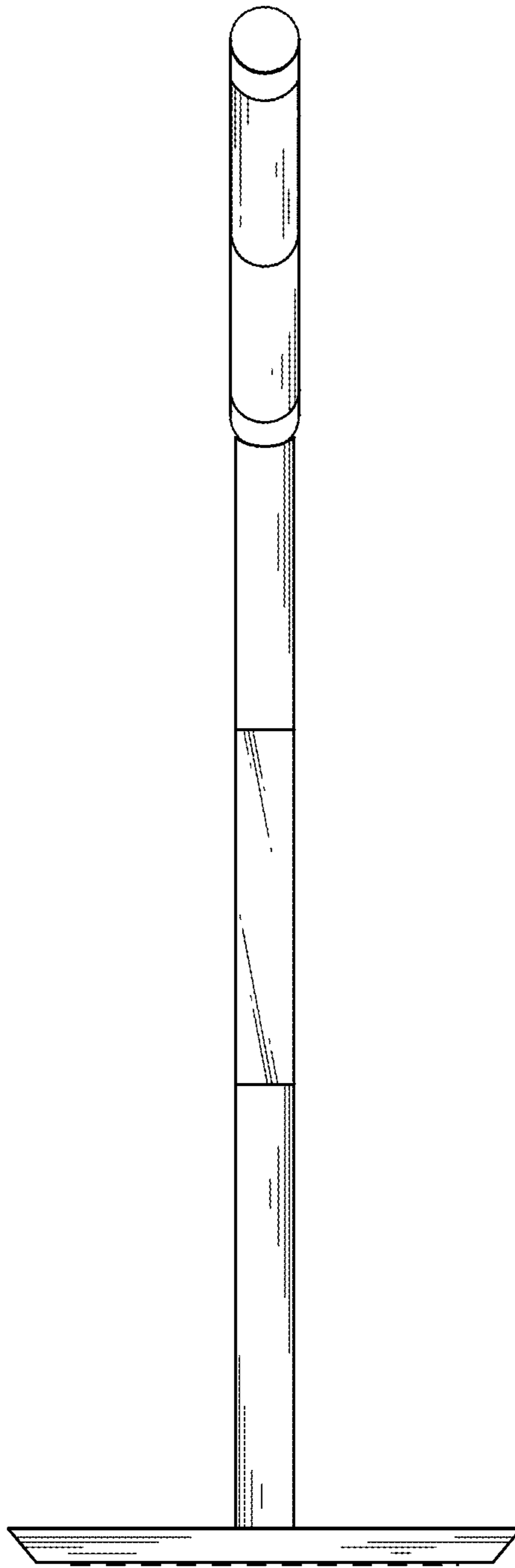


FIG.3

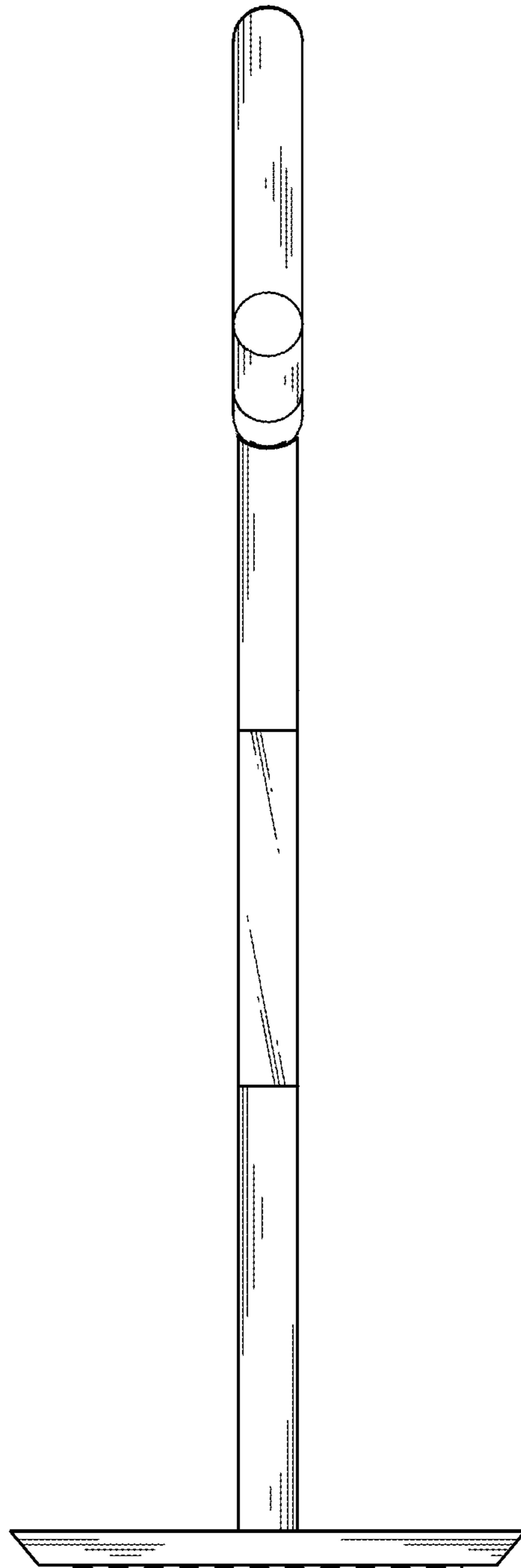


FIG. 4

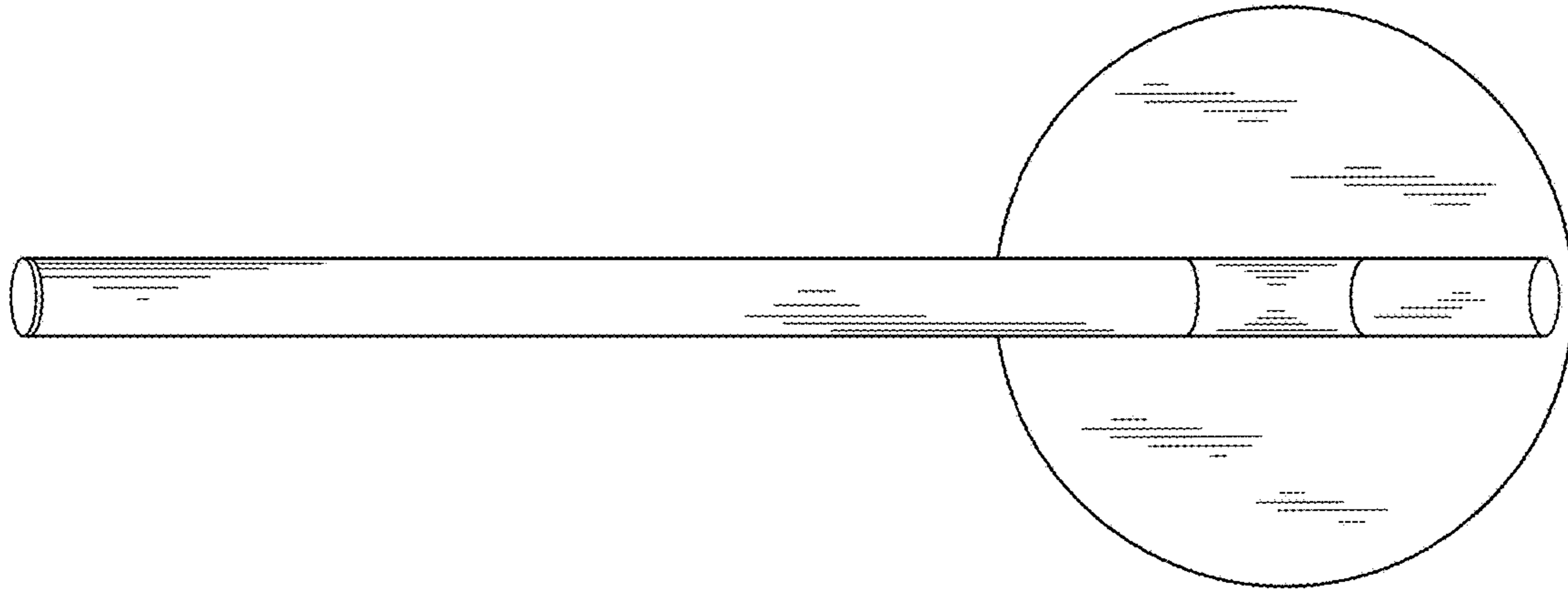


FIG. 5

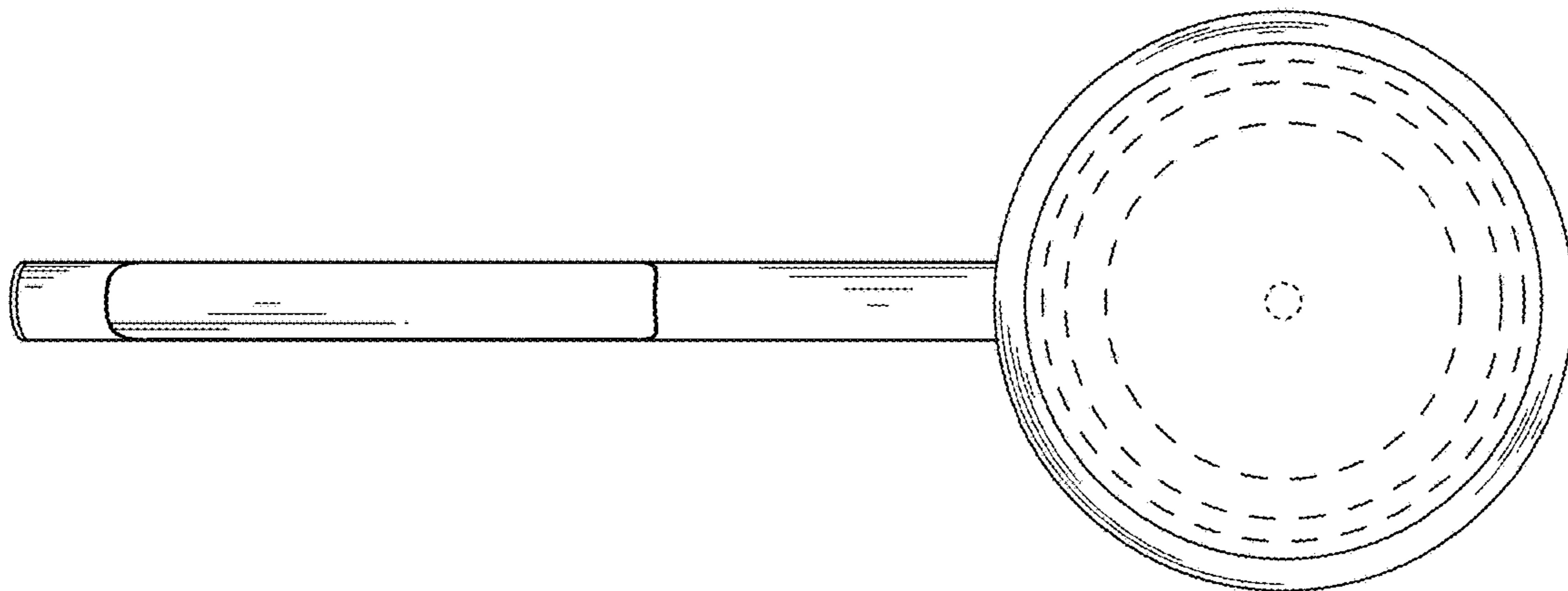


FIG. 6

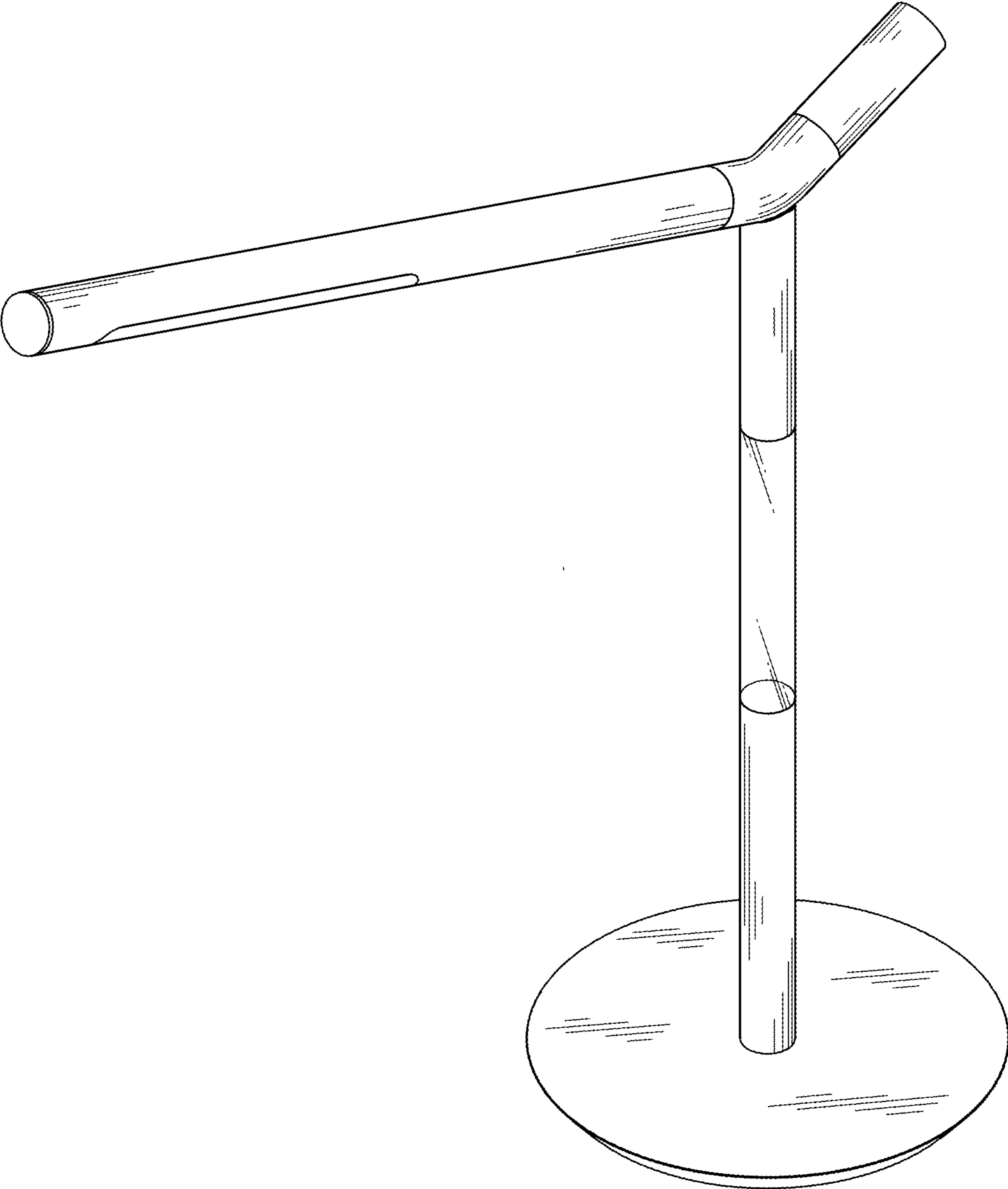


FIG.7