



US00D804703S

(12) **United States Design Patent** (10) **Patent No.:** **US D804,703 S**  
**Lutz** (45) **Date of Patent:** **\*\* Dec. 5, 2017**

(54) **LAMP**

(71) Applicant: **E15 DESIGN UND DISTRIBUTIONS GMBH**, Frankfurt am Main (DE)

(72) Inventor: **Jonas Lutz**, Rotterdam (NL)

(\*\*) Term: **15 Years**

(21) Appl. No.: **35/501,748**

(22) Filed: **Oct. 4, 2016**

(80) **Hague Agreement Data**

Int. Filing Date: **Oct. 4, 2016**

Int. Reg. No.: **DM/092895**

Int. Reg. Date: **Oct. 4, 2016**

Int. Reg. Pub. Date: **Oct. 21, 2016**

(51) **LOC (10) Cl.** ..... **26-03**

(52) **U.S. Cl.**  
USPC ..... **D26/93**

(58) **Field of Classification Search**  
USPC ..... D26/93, 118-119, 123-124  
CPC .. F21S 6/002; F21S 6/005; F21S 10/00; F21S 6/003; F21S 6/006

See application file for complete search history.

(56) **References Cited**

U.S. PATENT DOCUMENTS

D299,763 S *	2/1989	King .....	D26/93
D600,849 S *	9/2009	Osgerby .....	D26/107
D757,333 S *	5/2016	Ye .....	D26/93

\* cited by examiner

*Primary Examiner* — Michael A Pratt

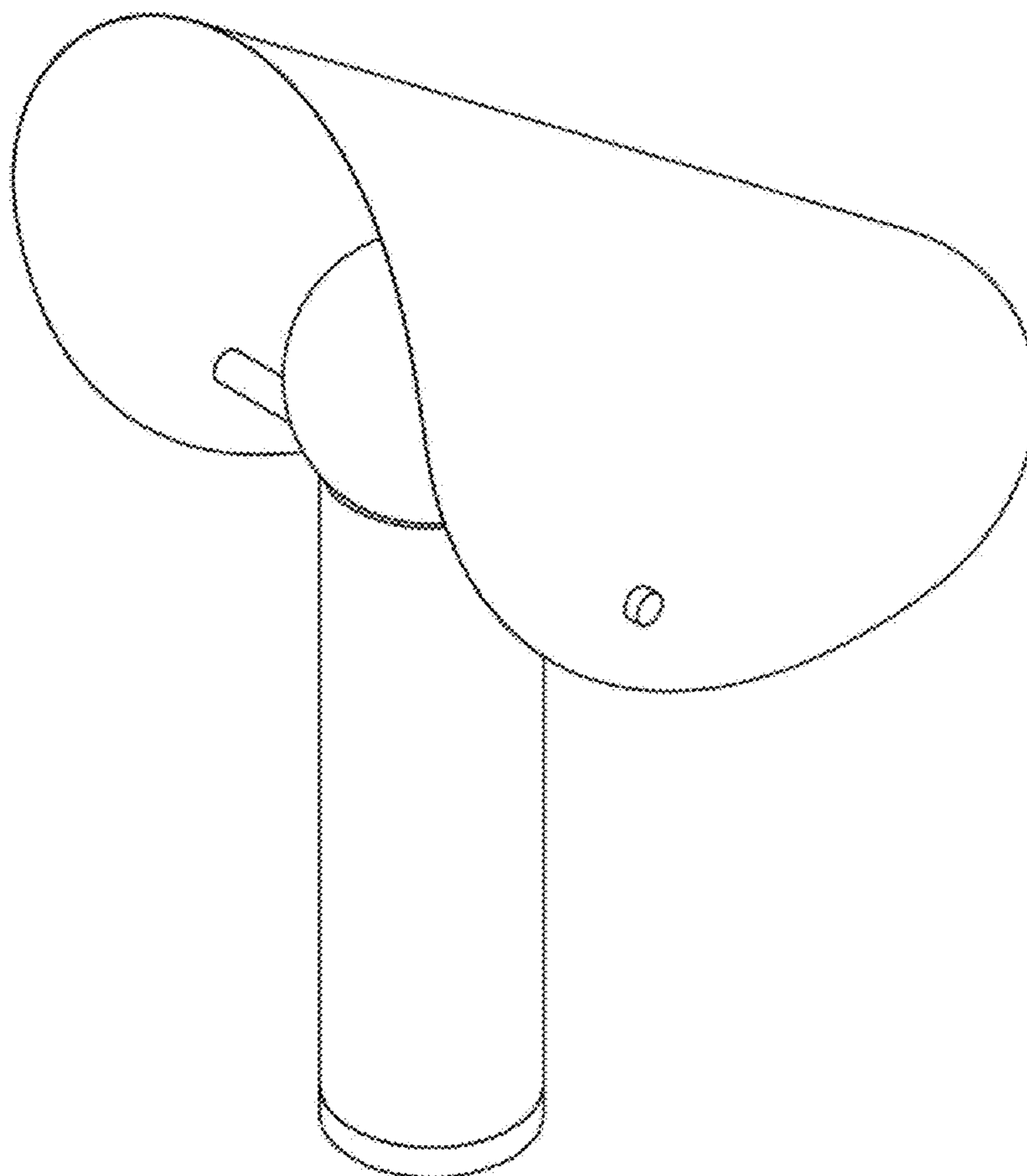
(57) **CLAIM**

The ornamental design for a lamp, as shown and described.

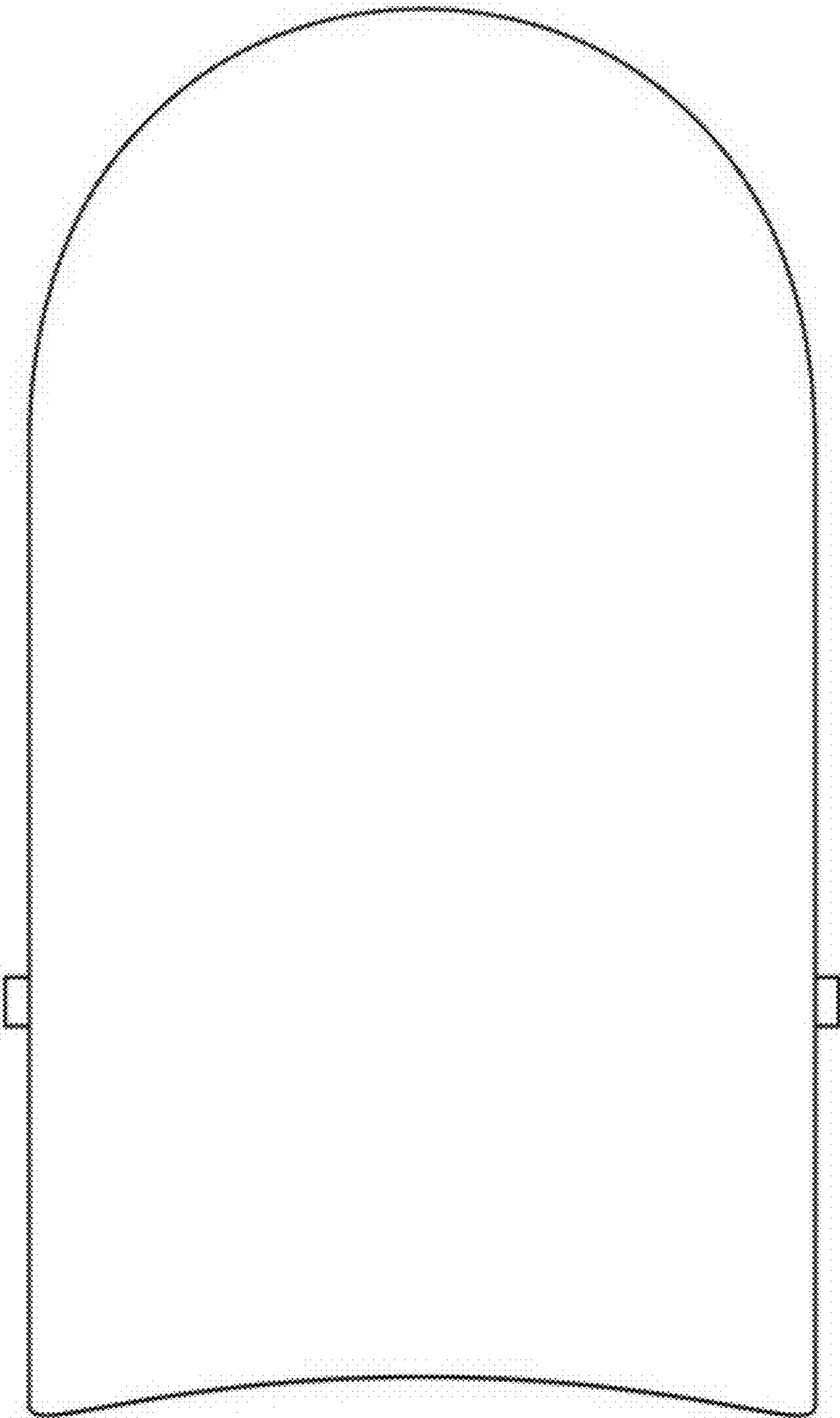
**DESCRIPTION**

- 1. Lamp
- 1.1 is a top view
- 1.2 is a perspective view
- 1.3 is a front view
- 1.4 is a side view
- 1.5 is another side view
- 1.6 is a bottom view
- 1.7 is a rear view

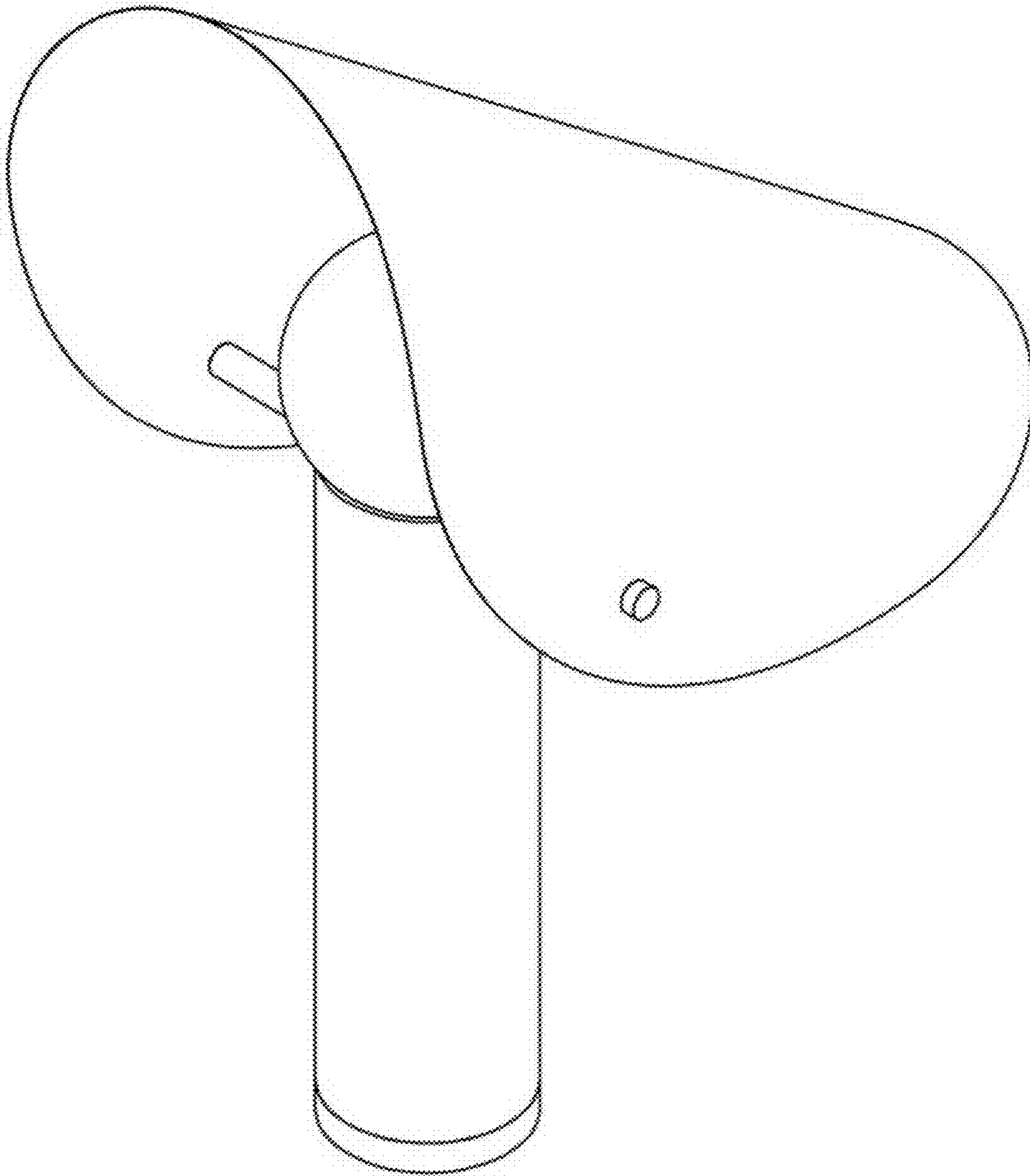
**1 Claim, 7 Drawing Sheets**



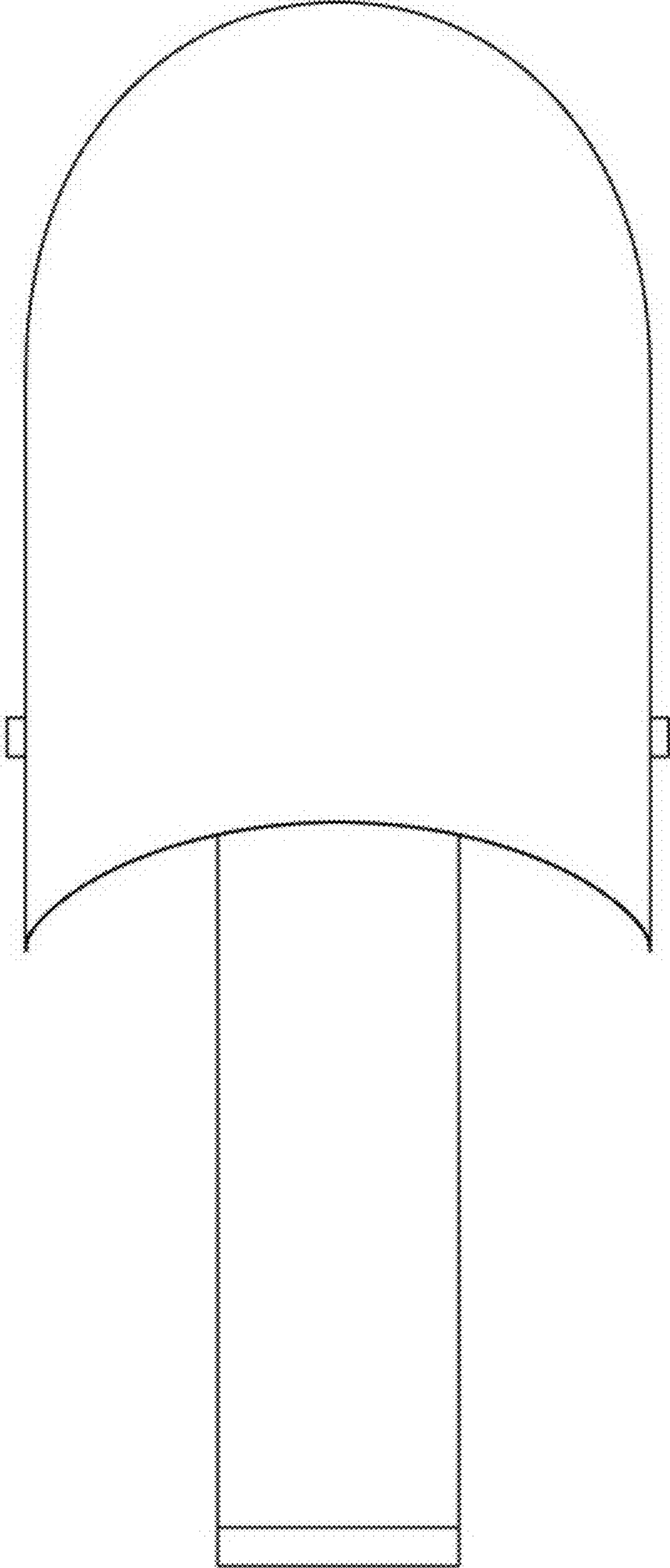
**1.1**



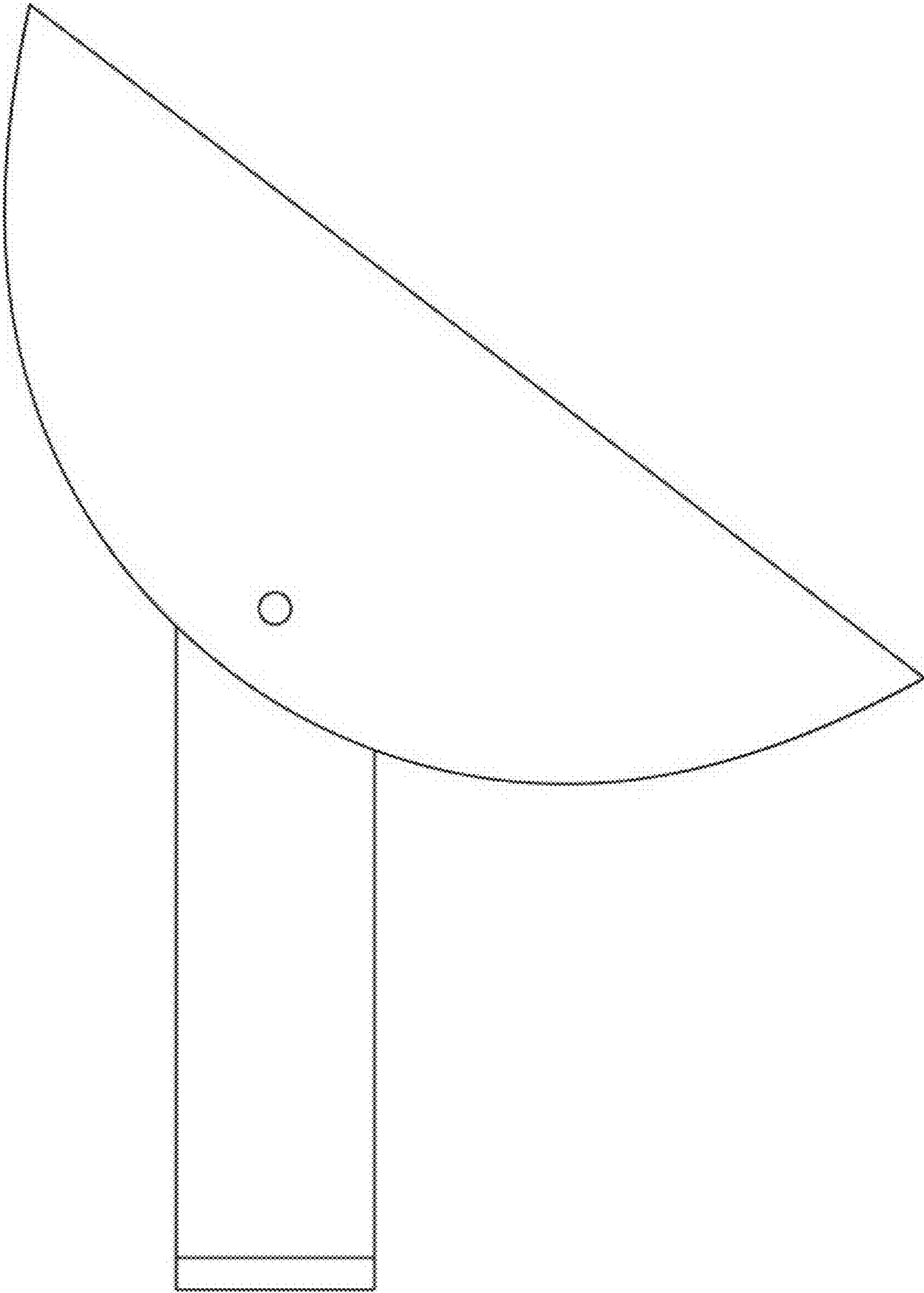
1.2



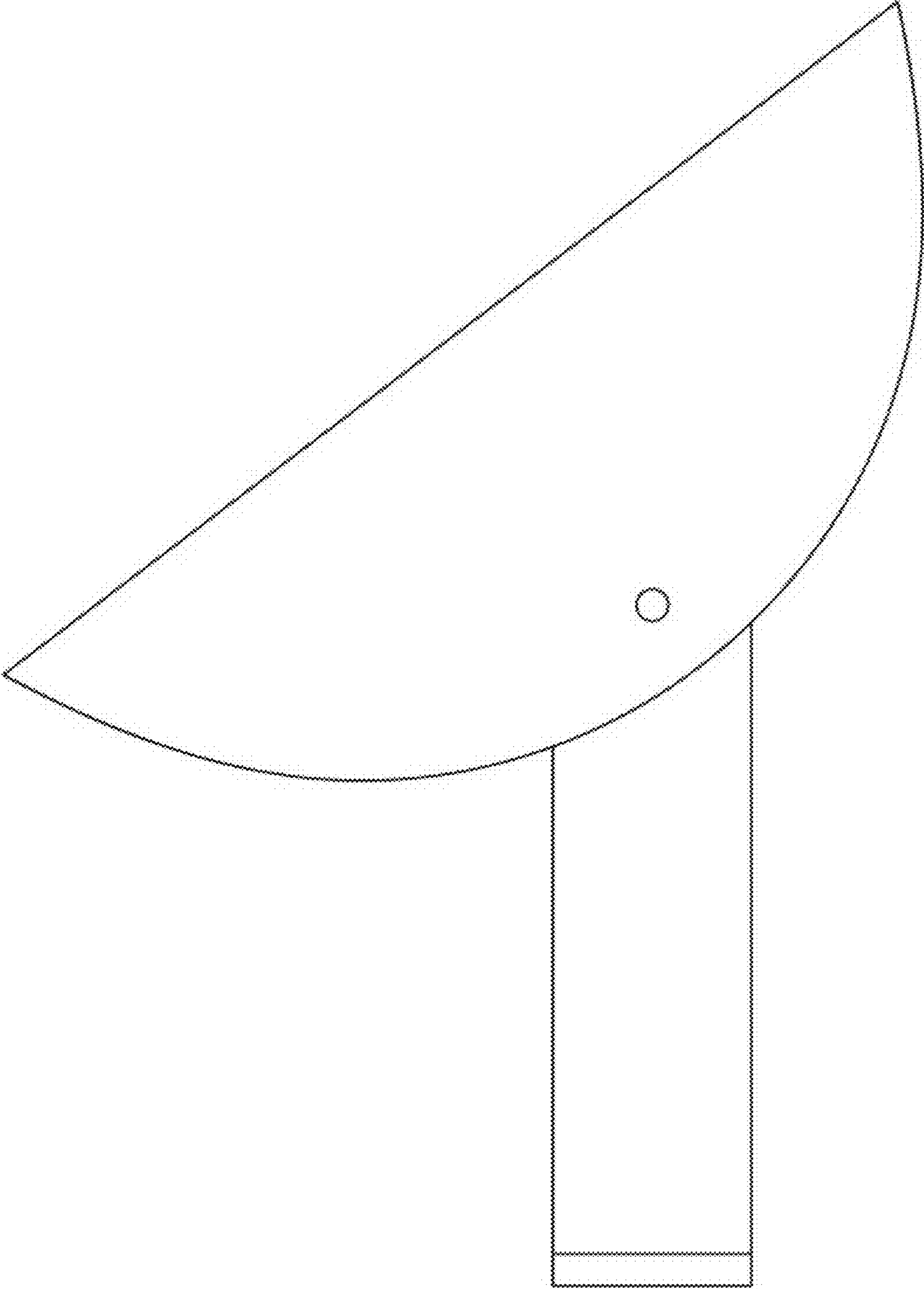
1.3



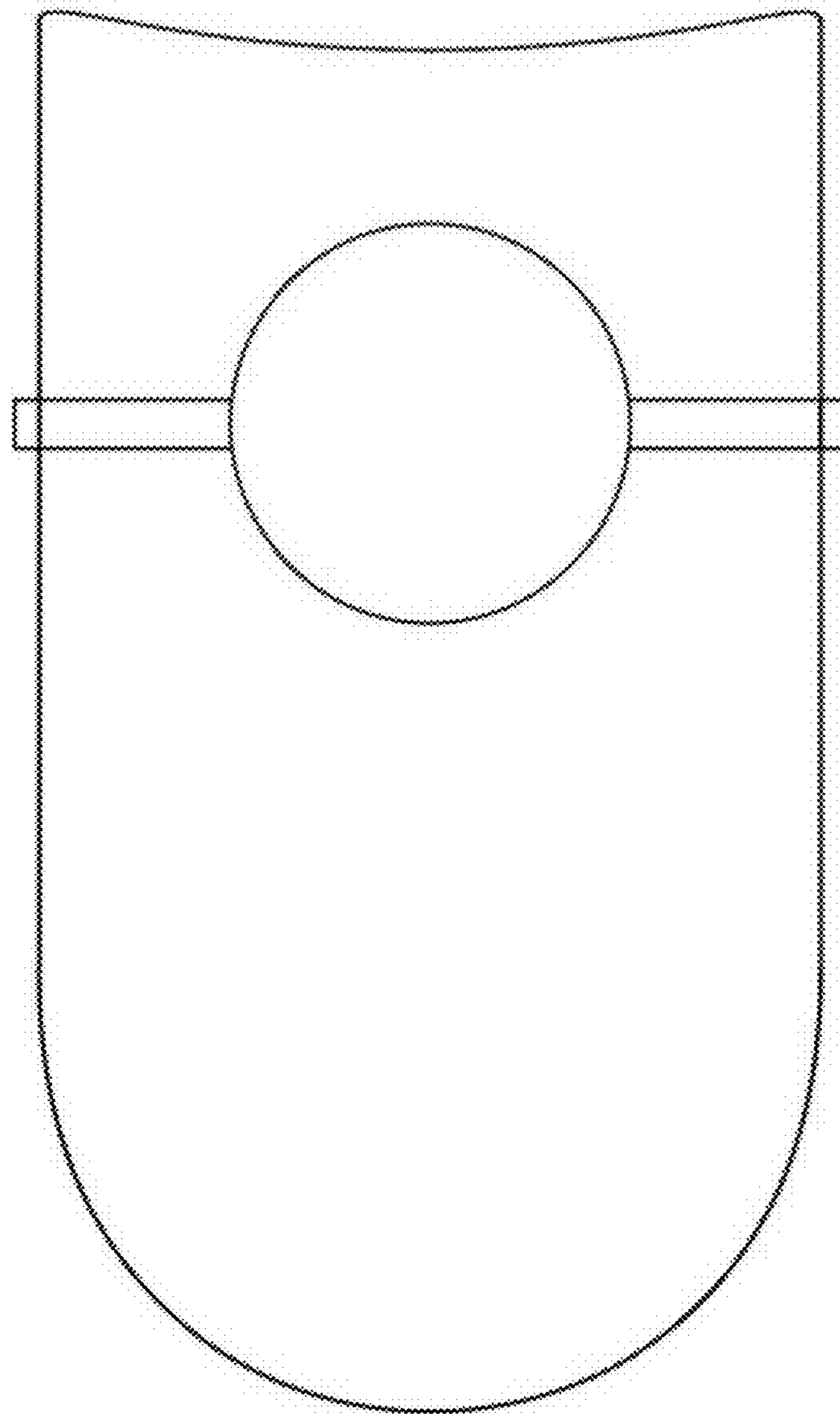
1.4



1.5



**1.6**



1.7

