



US00D804702S

(12) **United States Design Patent** (10) **Patent No.:** **US D804,702 S**
Miller (45) **Date of Patent:** **** Dec. 5, 2017**

(54) **LIGHTING FIXTURE**

(71) Applicant: **Jason Miller**, Brooklyn, NY (US)

(72) Inventor: **Jason Miller**, Brooklyn, NY (US)

(**) Term: **15 Years**

(21) Appl. No.: **29/573,190**

(22) Filed: **Aug. 3, 2016**

(51) **LOC (10) Cl.** **26-03**

(52) **U.S. Cl.**
USPC **D26/88**; D26/86

(58) **Field of Classification Search**
USPC D26/80-91, 118, 128, 135
CPC F21S 8/03; F21S 8/033; F21S 8/036; F21S
8/04; F21S 8/043; F21S 8/046; F21S
8/06; F21S 8/061; F21S 8/063; F21S
8/065; F21S 8/068
See application file for complete search history.

(56) **References Cited**

U.S. PATENT DOCUMENTS

D73,675 S *	10/1927	Solomon	D26/88
D79,307 S *	8/1929	Rosenblatt	D26/90
D80,313 S *	1/1930	Hoch	D26/80
D81,845 S *	8/1930	Poerner	D26/91
D97,583 S *	11/1935	Naftalin	D26/86
D101,033 S *	9/1936	Glatthar et al.	D26/81
D163,478 S *	5/1951	Poerner	D26/81
3,212,713 A *	10/1965	Chatten	B05B 17/08 239/17
D235,914 S *	7/1975	Schacht	D26/84
D326,732 S *	6/1992	Segill	D26/91
D445,529 S *	7/2001	Orozco	D26/86
D665,121 S *	8/2012	Smith	D26/128

D777,364 S * 1/2017 Taillard D26/83

* cited by examiner

Primary Examiner — Clare E Heflin

(74) *Attorney, Agent, or Firm* — Timothy W. Menasco, Esq.; Harter Secrest & Emery LLP

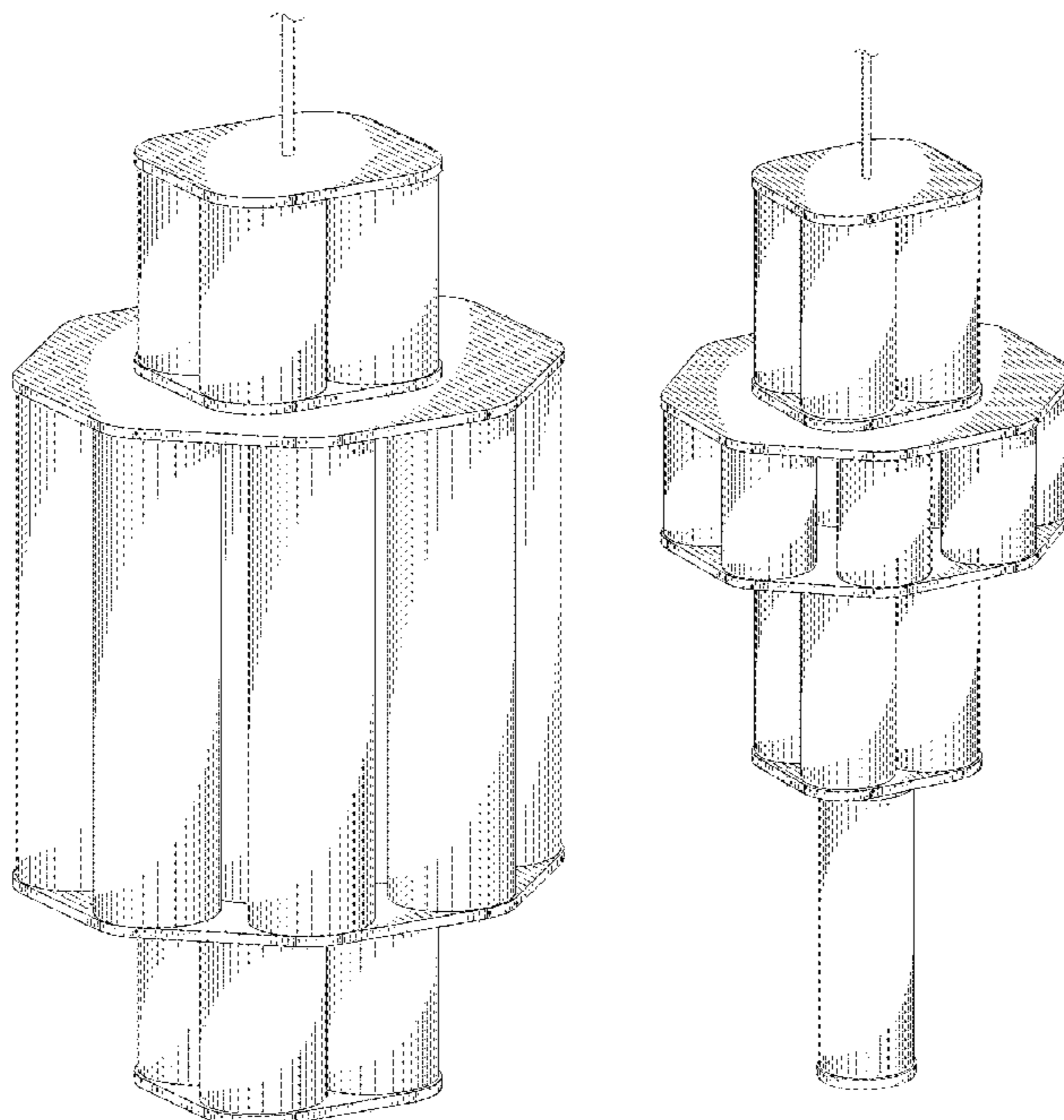
(57) **CLAIM**

The ornamental design for a lighting fixture, as shown and described.

DESCRIPTION

FIG. 1 is a front perspective view of a lighting fixture in accordance with the present invention;
 FIG. 2 is a front view thereof, a rear view being a mirror image thereof;
 FIG. 3 is a right side view thereof, a left side view being a mirror image thereof;
 FIG. 4 is a top view thereof;
 FIG. 5 is a bottom view thereof;
 FIG. 6 is a front perspective view of an alternative embodiment of the lighting fixture in accordance with the present invention;
 FIG. 7 is a front view of the alternative embodiment of the lighting fixture in accordance with the present invention, a rear view being a mirror image thereof;
 FIG. 8 is a right side view of the alternative embodiment of the lighting fixture in accordance with the present invention, left side view being a mirror image thereof;
 FIG. 9 is a top view of the alternative embodiment of the lighting fixture in accordance with the present invention; and,
 FIG. 10 is a bottom view of the alternative embodiment of the lighting fixture in accordance with the present invention. The broken lines shown on the drawings depict portions of the lighting fixture that form no part of the claimed design.

1 Claim, 10 Drawing Sheets



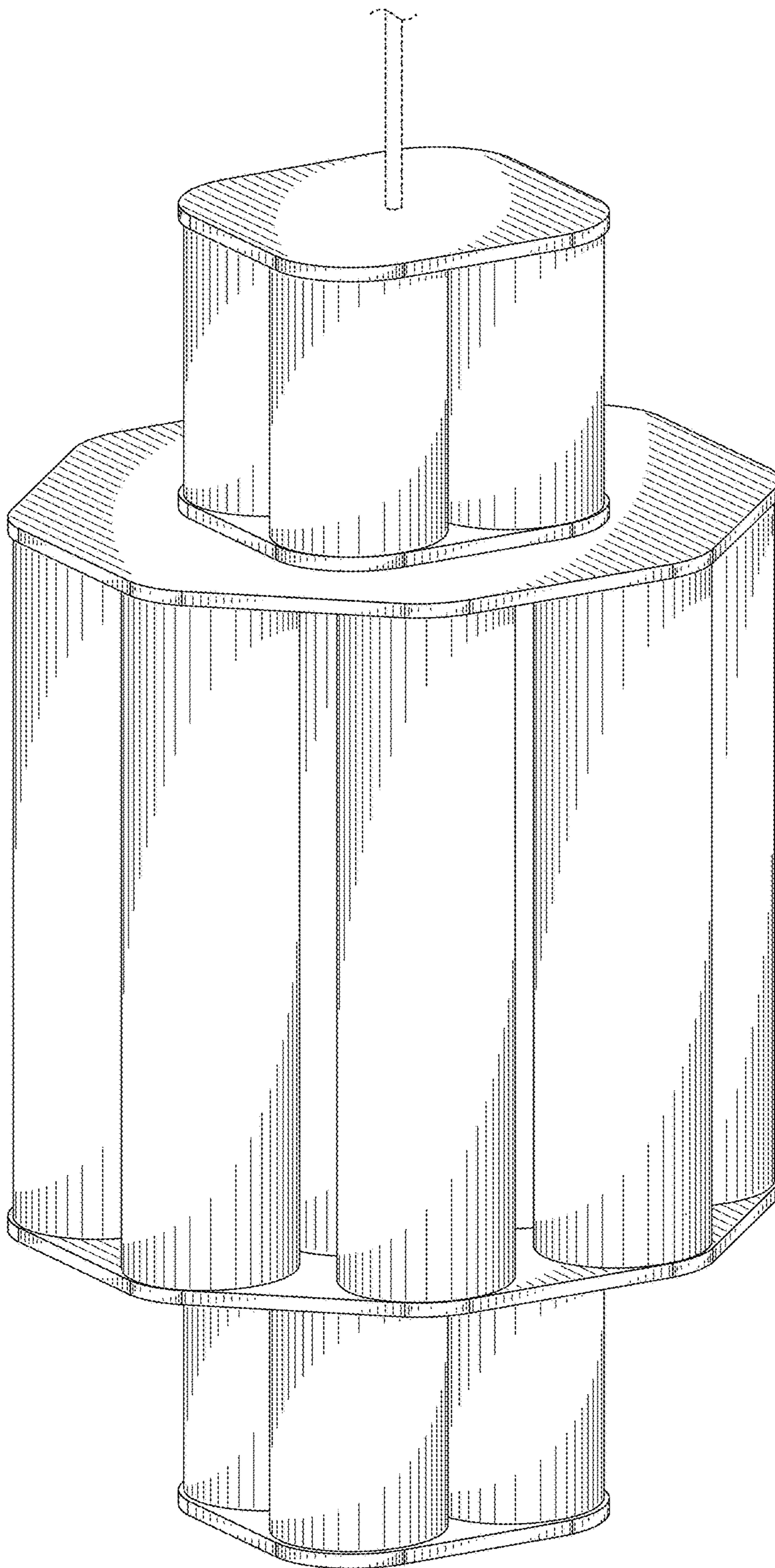


FIG. 1

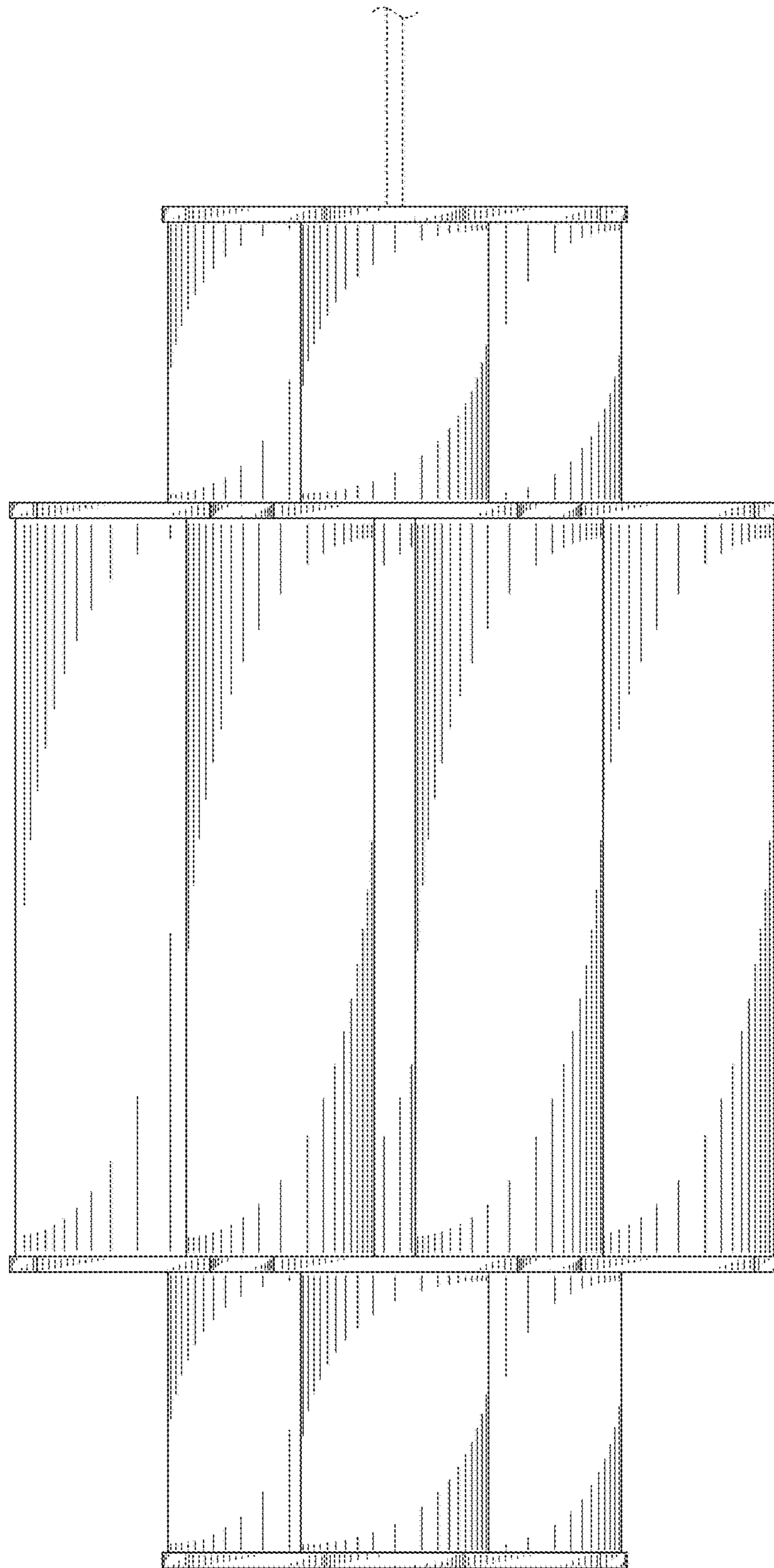


FIG. 2

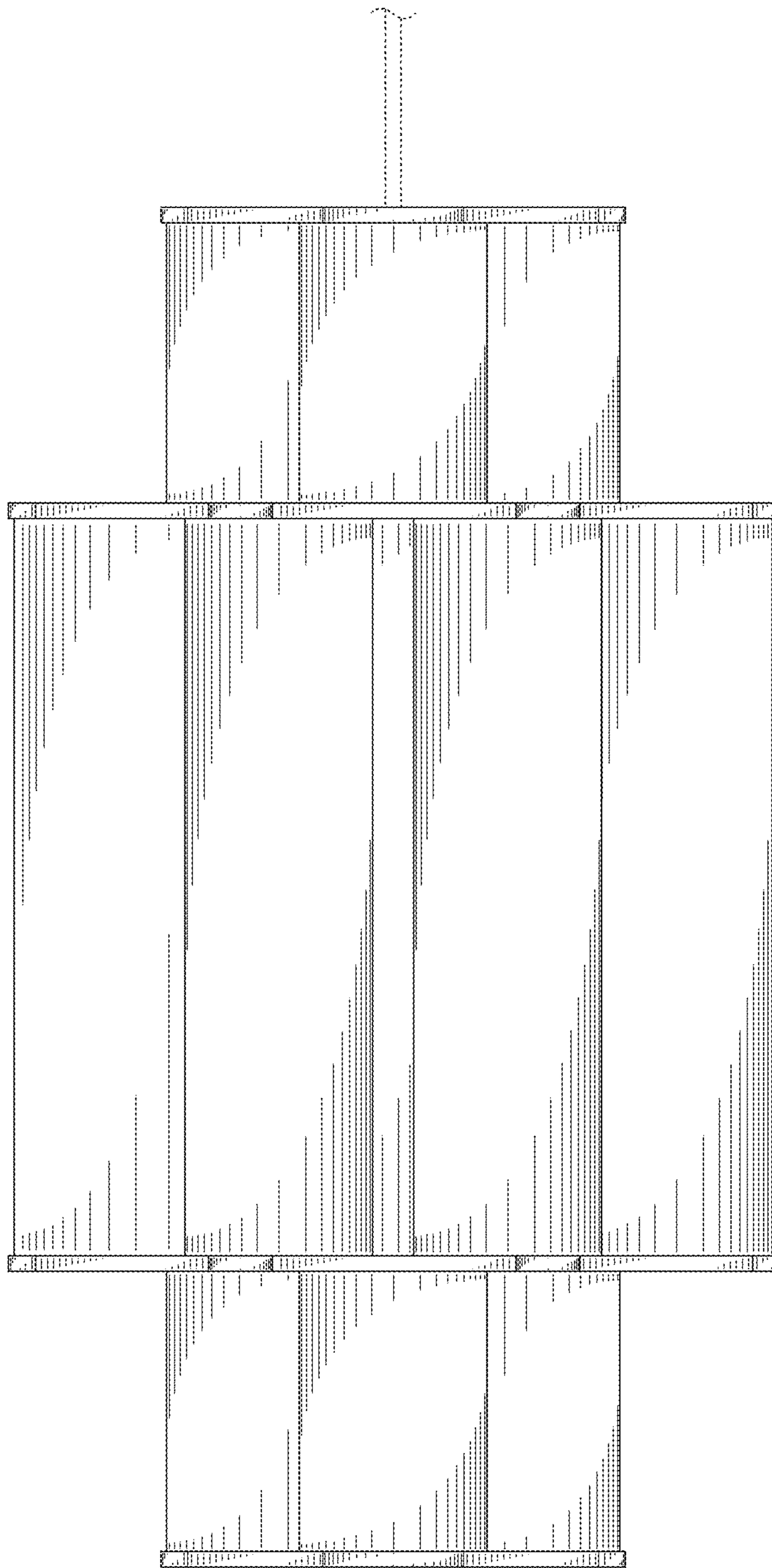


FIG. 3

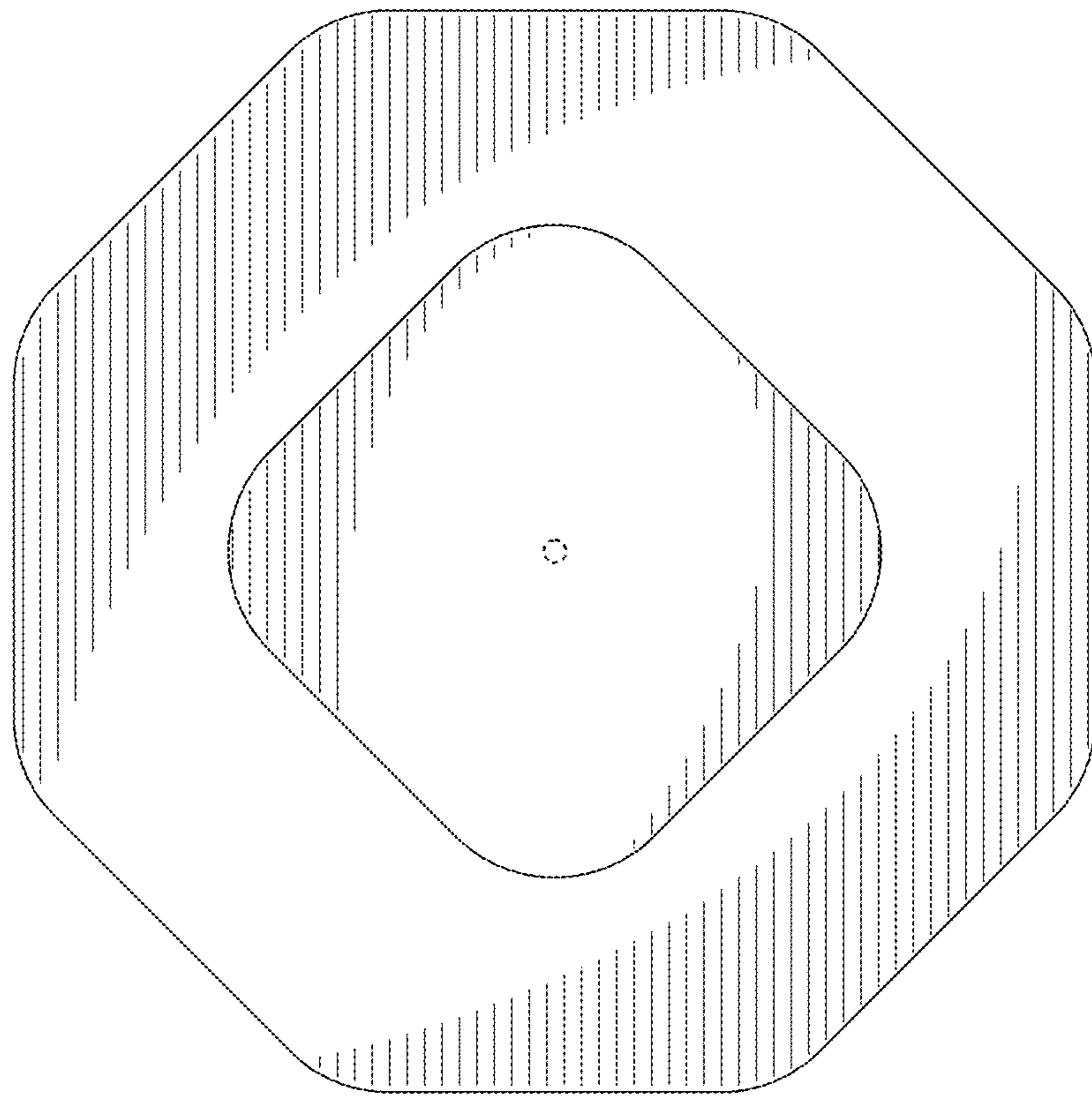


FIG. 4

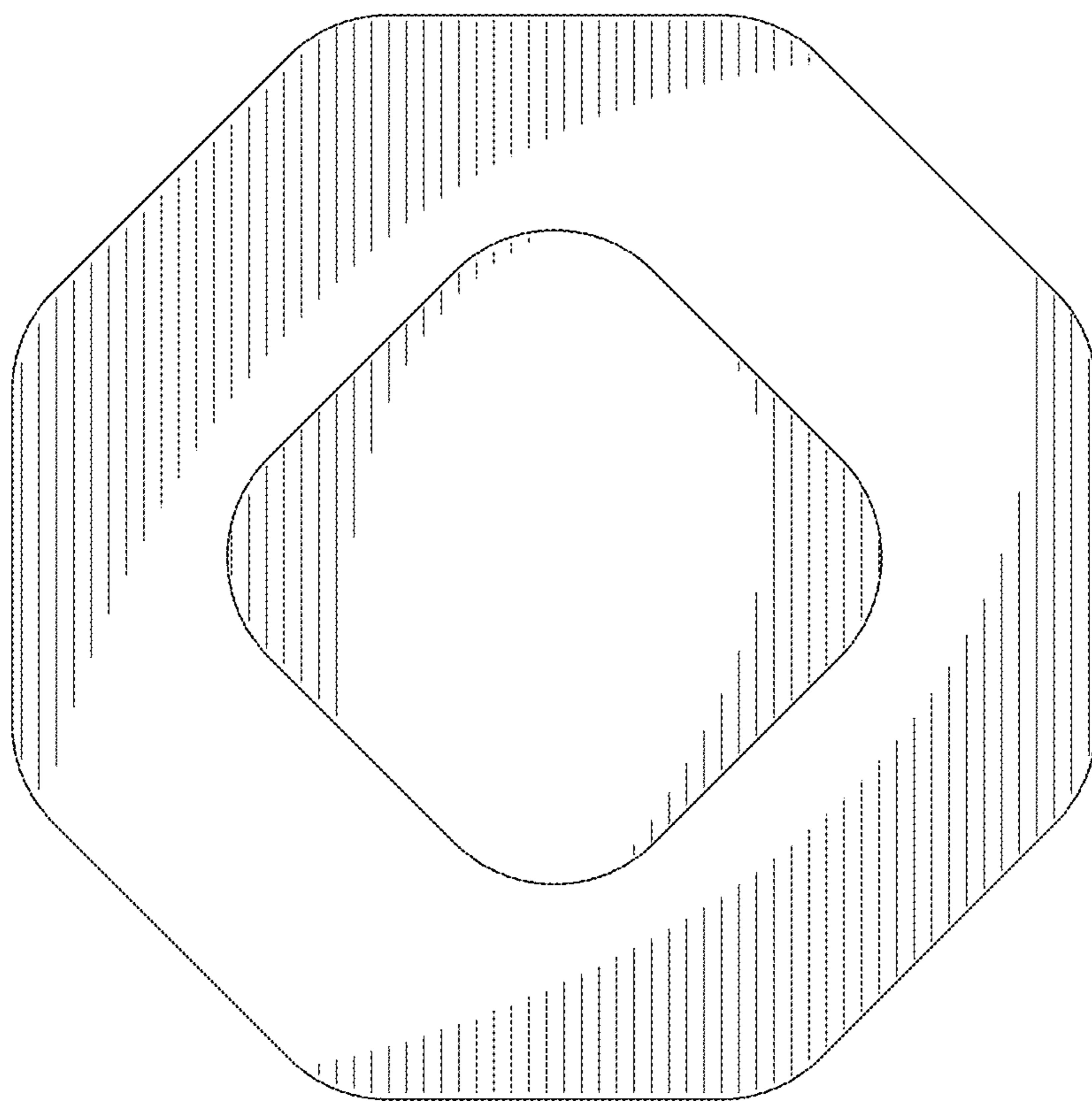


FIG. 5

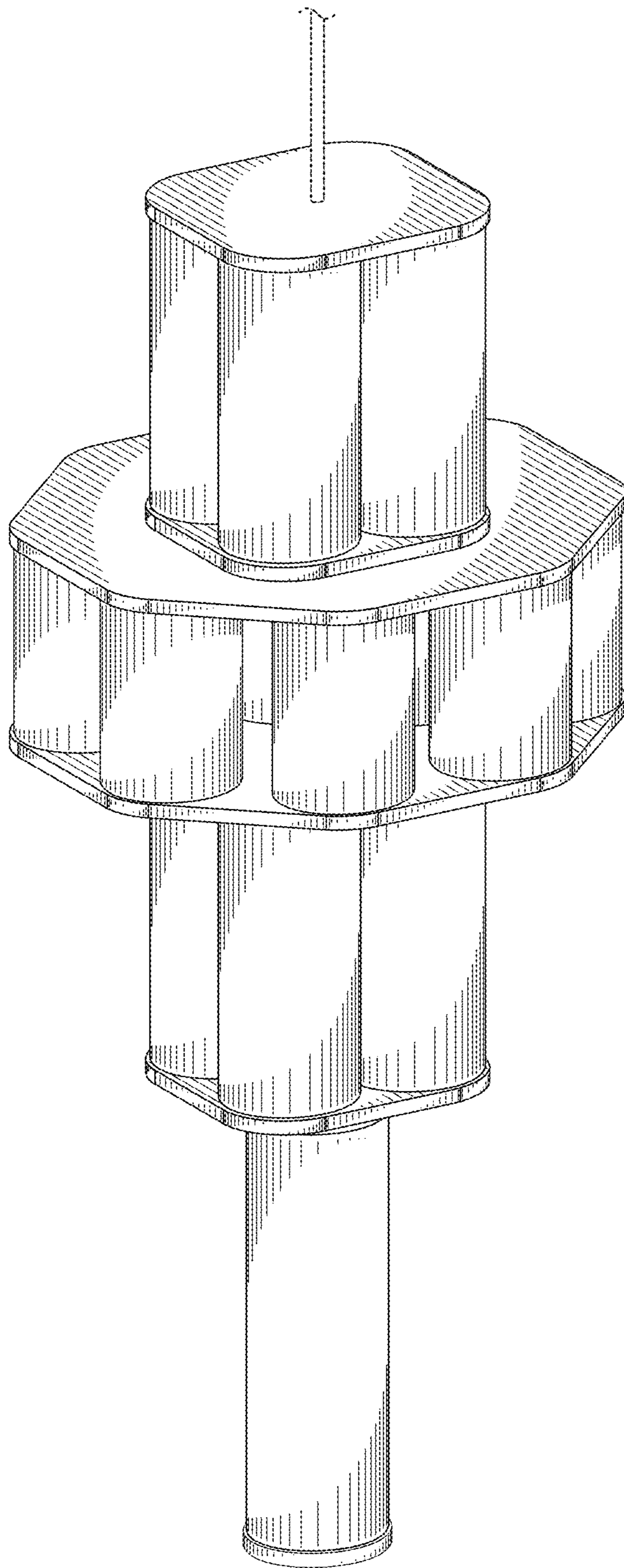


FIG. 6

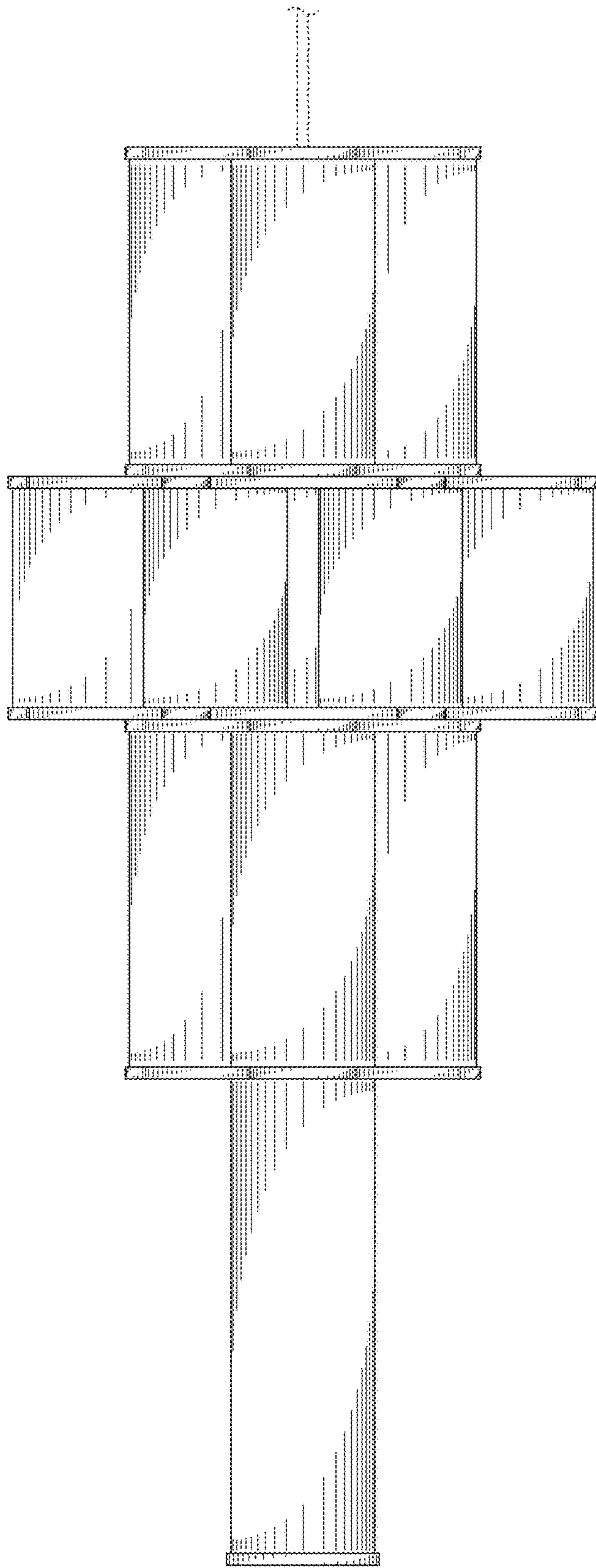


FIG. 7

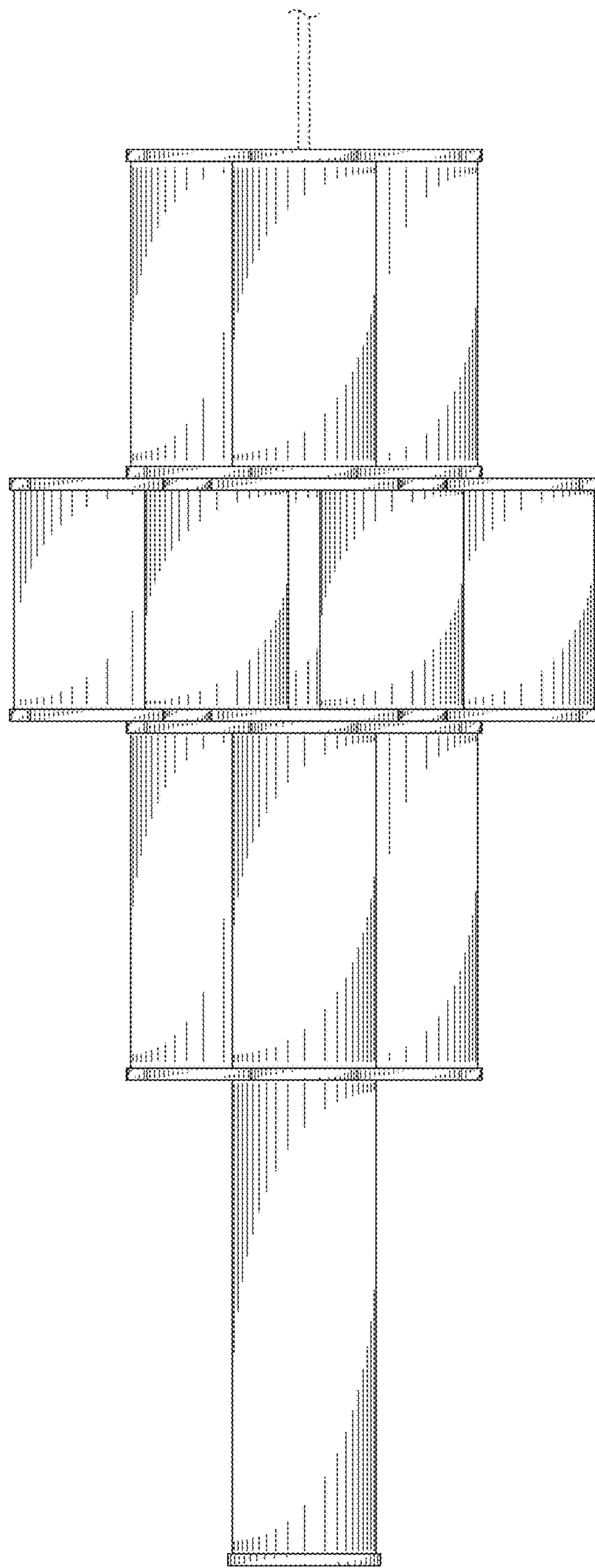


FIG. 8

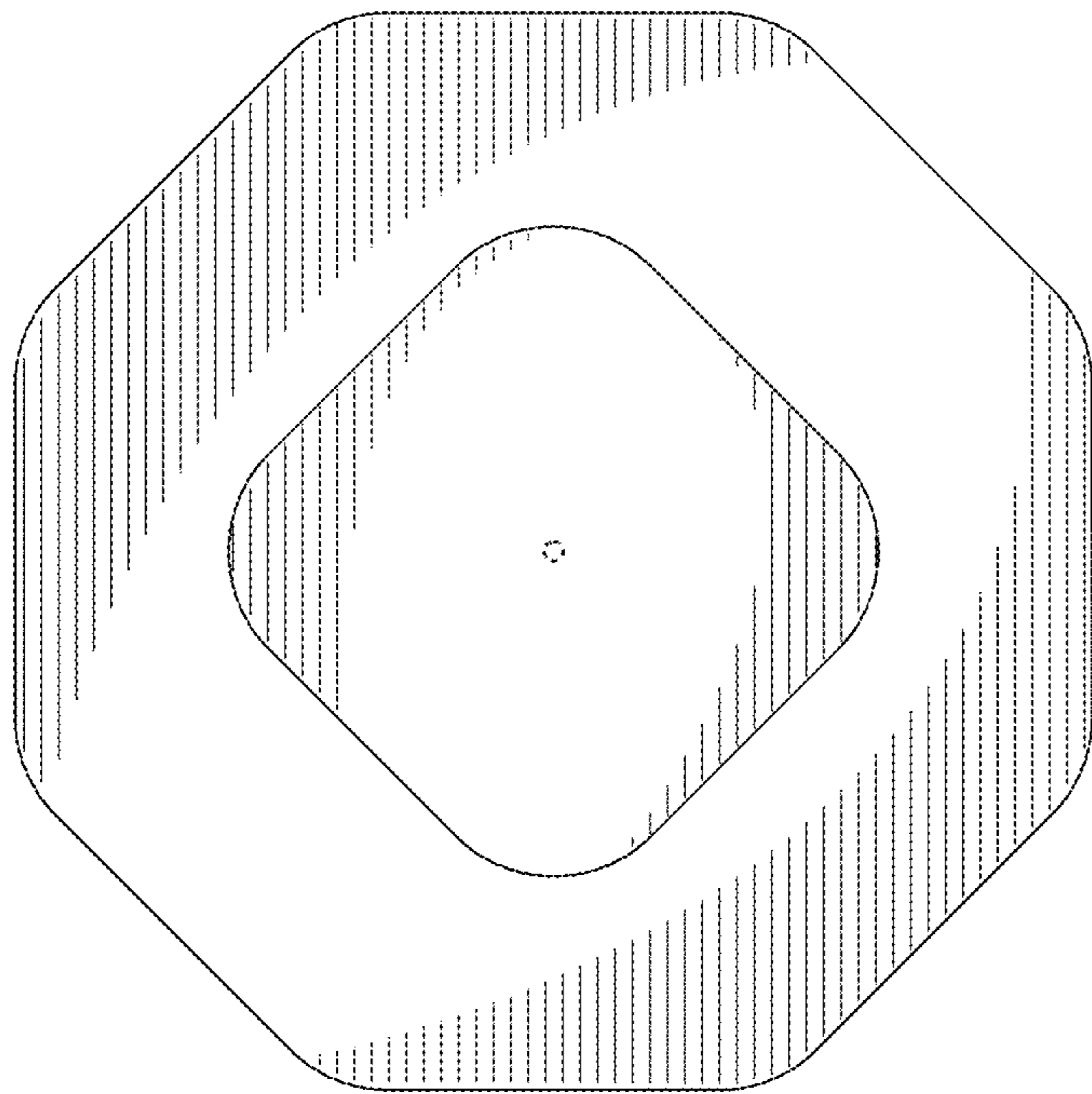


FIG. 9

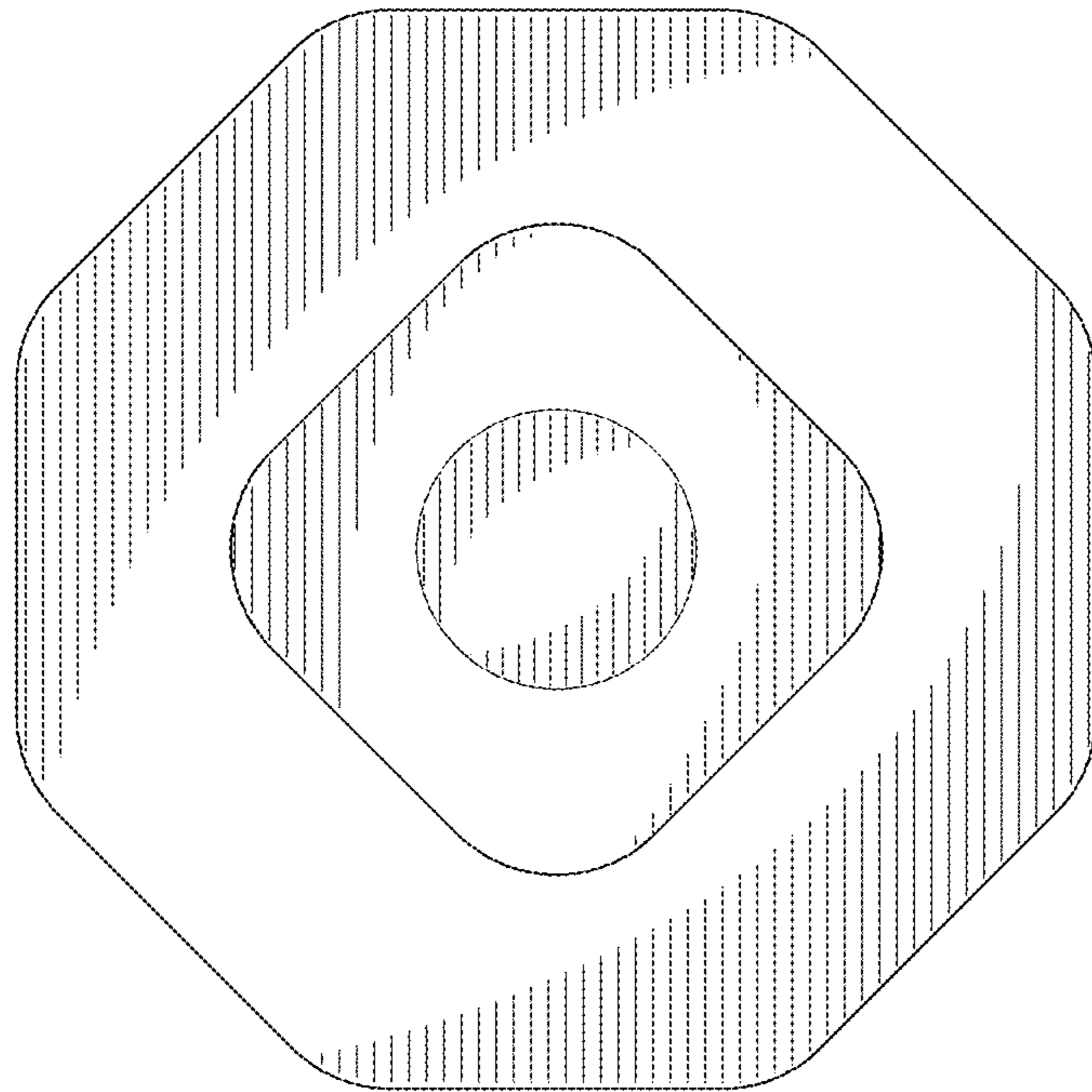


FIG. 10