



US00D804701S

(12) **United States Design Patent**
Hendifar et al.

(10) **Patent No.:** **US D804,701 S**

(45) **Date of Patent:** **** Dec. 5, 2017**

(54) **LIGHTING FIXTURE**

(71) Applicant: **Apparatus LLC**, New York, NY (US)

(72) Inventors: **Gabriel Hendifar**, Rhinebeck, NY (US); **Jeremy R. Anderson**, Rhinebeck, NY (US)

(73) Assignee: **APPARATUS LLC**, New York, NY (US)

(**) Term: **15 Years**

(21) Appl. No.: **29/562,887**

(22) Filed: **Apr. 29, 2016**

(51) **LOC (10) Cl.** **26-03**

(52) **U.S. Cl.**
USPC **D26/88**; D26/86

(58) **Field of Classification Search**
USPC D26/80, 81, 83, 84, 85, 86, 87, 88, 128,
D26/129, 130, 134, 137, 143, 144, 153
CPC F21S 8/043; F21S 8/046; F21S 8/06; F21S
8/061; F21S 8/063; F21S 8/065; F21S
8/066; F21S 8/068
See application file for complete search history.

(56) **References Cited**

U.S. PATENT DOCUMENTS

D73,675 S *	10/1927	Solomon	D26/88
D80,313 S *	1/1930	Hoch	D26/80
D80,419 S *	1/1930	Kramer	D26/81
D80,638 S *	3/1930	Rosenblatt	D26/81
D152,994 S *	3/1949	McCann	D26/87
D163,478 S *	5/1951	Poerner	D26/81
D198,539 S *	6/1964	Freed	D26/70
3,212,713 A *	10/1965	Chatten	B05B 17/08 239/17
D265,512 S *	7/1982	Thurston	D26/137
D558,381 S *	12/2007	Horn	D26/85

D614,794 S *	4/2010	Sabernig	D26/89
D682,460 S *	5/2013	Wanders	D26/130
D688,413 S *	8/2013	Tomlinson	D26/129
D725,306 S *	3/2015	Salvagno	D26/84
D774,236 S *	12/2016	Anderson	D26/85
D788,348 S *	5/2017	Hendifar	D26/84

* cited by examiner

Primary Examiner — Clare E Heflin

(74) *Attorney, Agent, or Firm* — Gottlieb, Rackman & Reisman, P.C.

(57) **CLAIM**

The ornamental design for a lighting fixture, as shown and described.

DESCRIPTION

FIG. 1 is a front elevational view of the lighting fixture showing our new design, with the rear elevational view being the same;

FIG. 2 is a top plan view thereof;

FIG. 3 is a left side elevational view thereof, with the right side elevational view being the same;

FIG. 4 is a bottom plan view thereof.

FIG. 5 is a front elevational view of the lighting fixture showing a second embodiment of our new design;

FIG. 6 is a top plan view thereof;

FIG. 7 is a left side elevational view thereof, with the right side elevational view being the mirror-image;

FIG. 8 is a rear elevational view thereof; and,

FIG. 9 is a bottom plan view thereof.

The broken lines in FIG. 1-FIG. 9 are for the purposes of illustrating environment only and form no part of the claimed design.

1 Claim, 8 Drawing Sheets

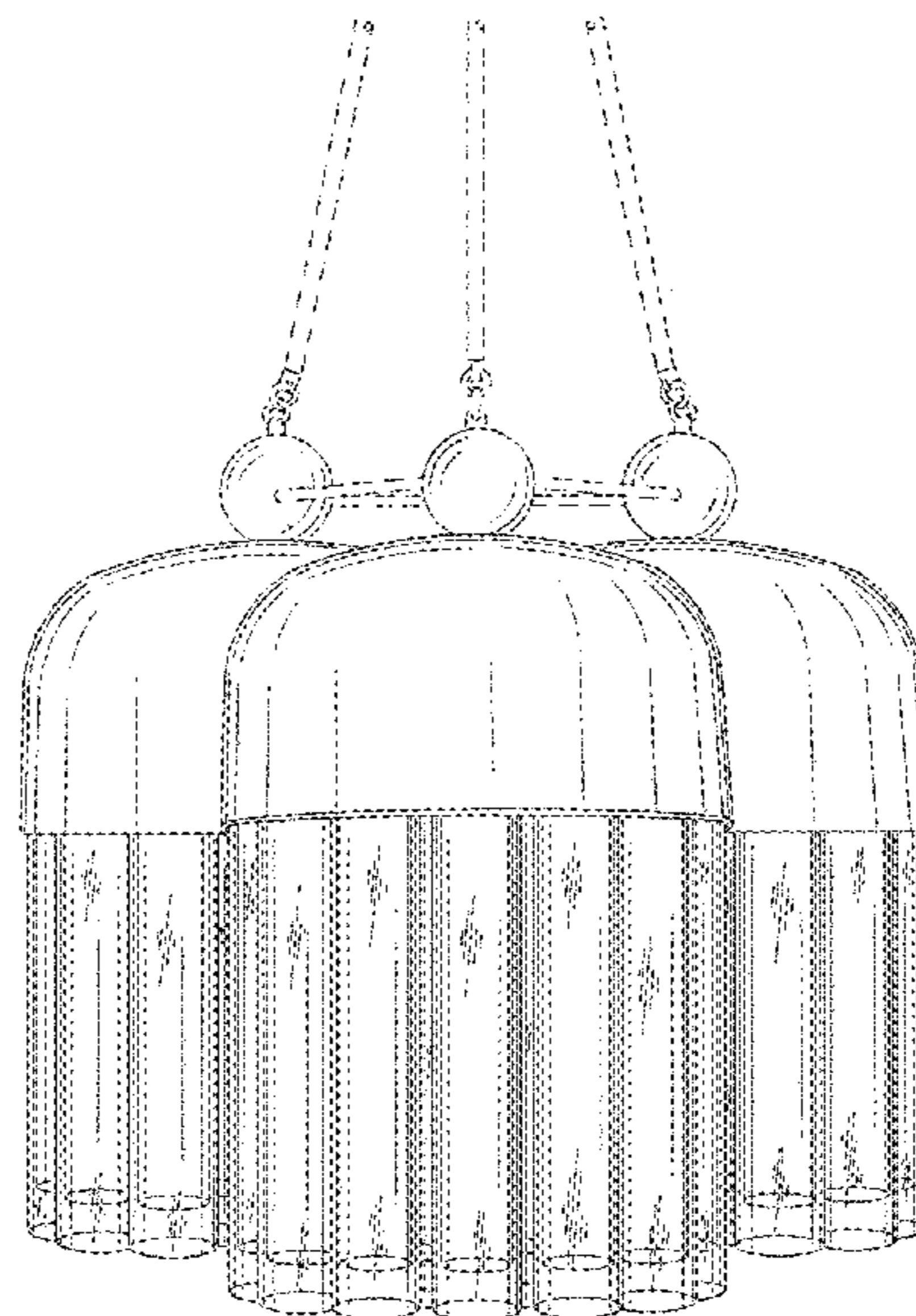
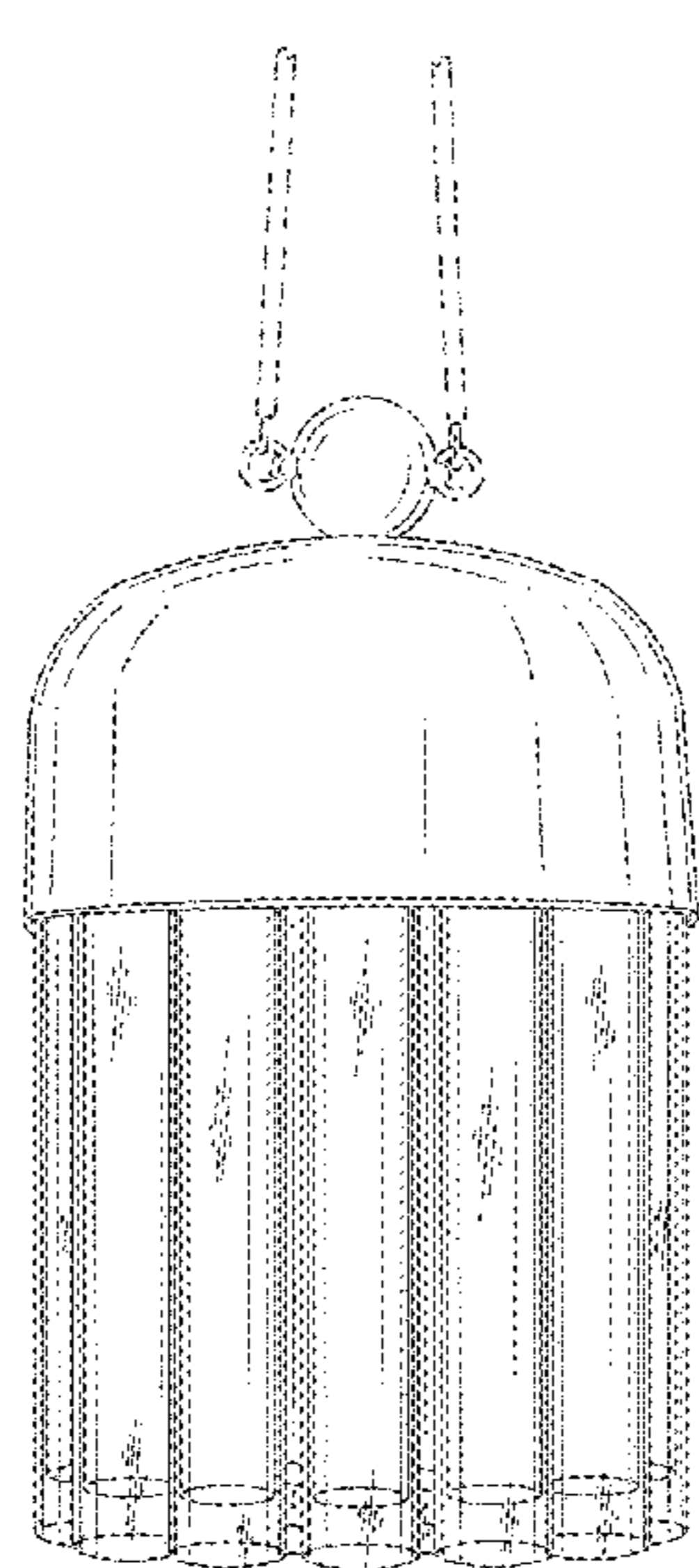
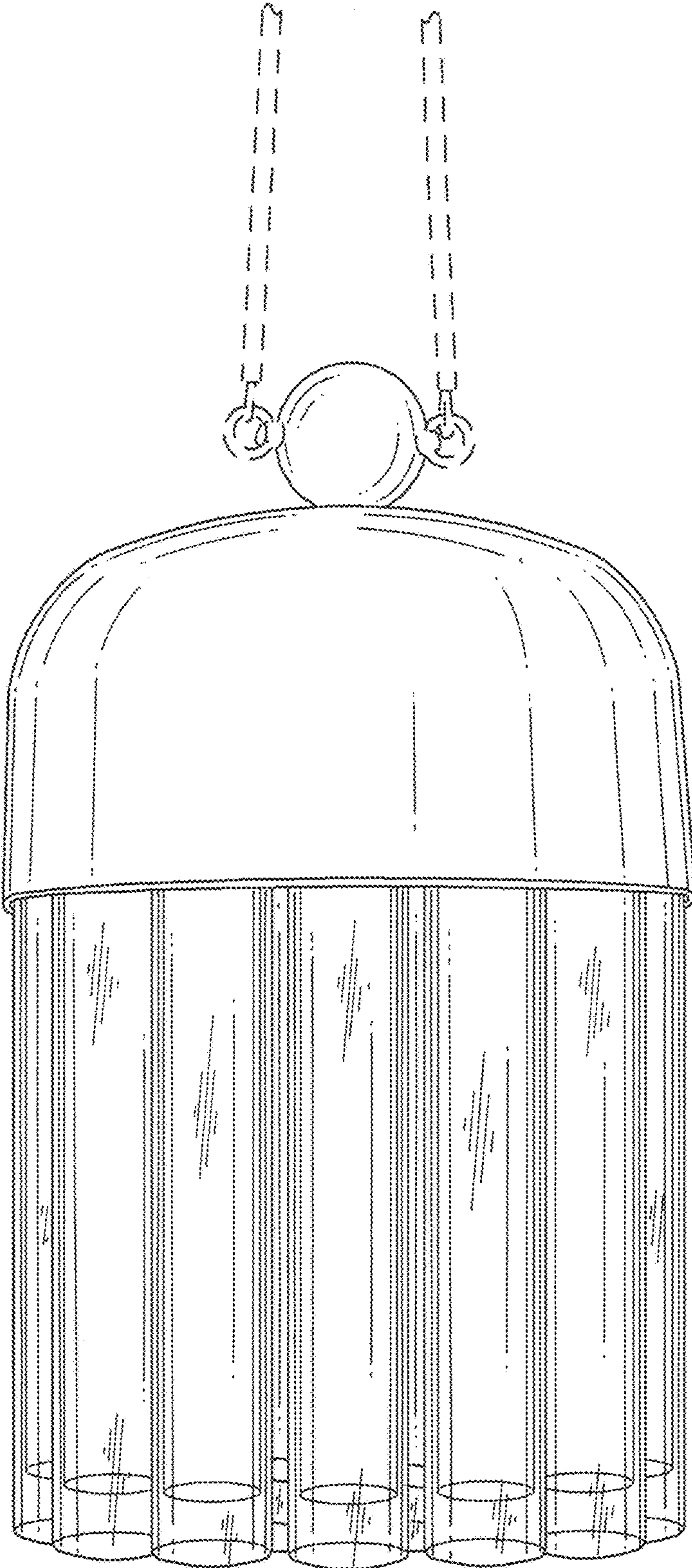


FIG. 1



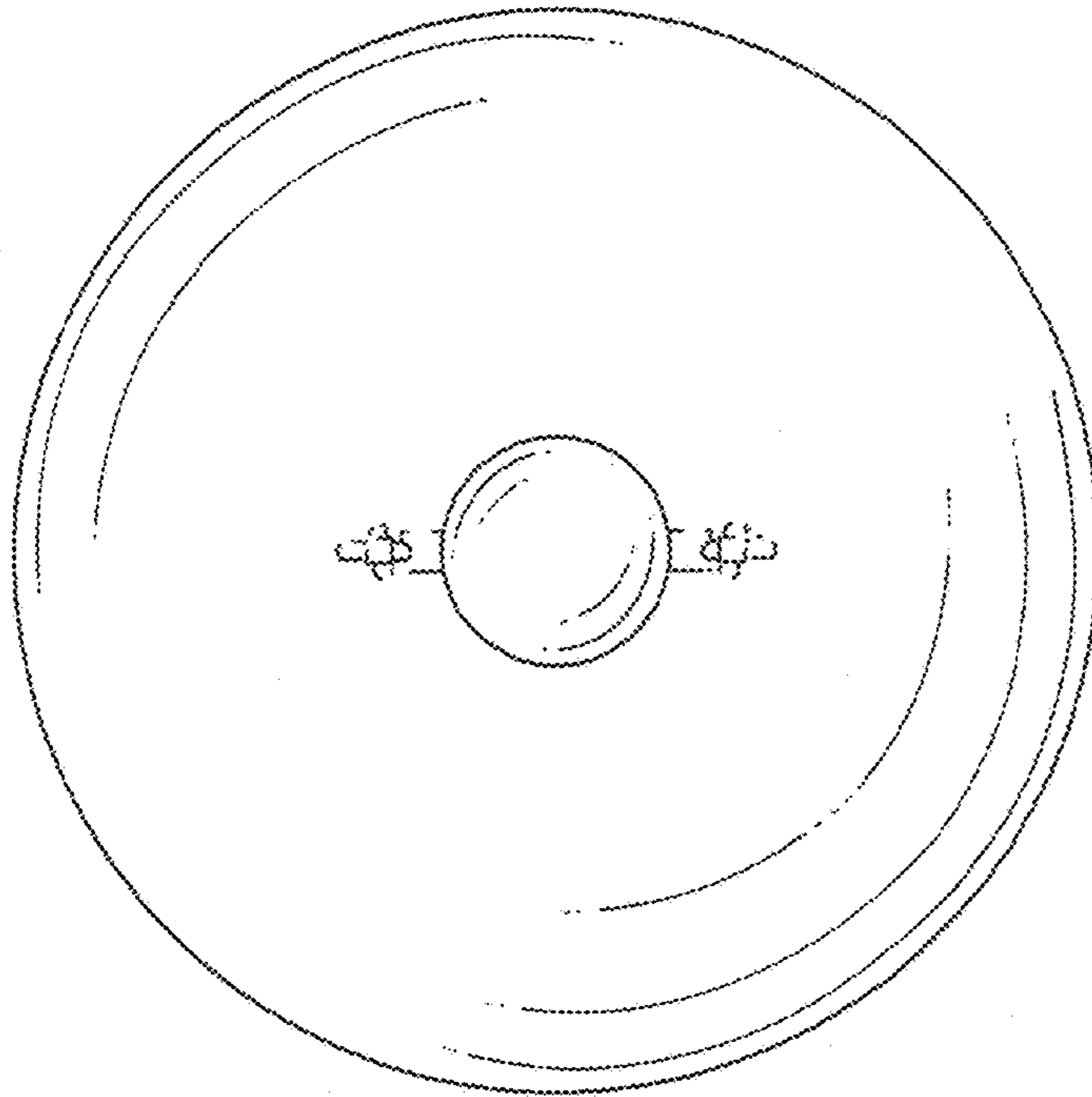


FIG. 2

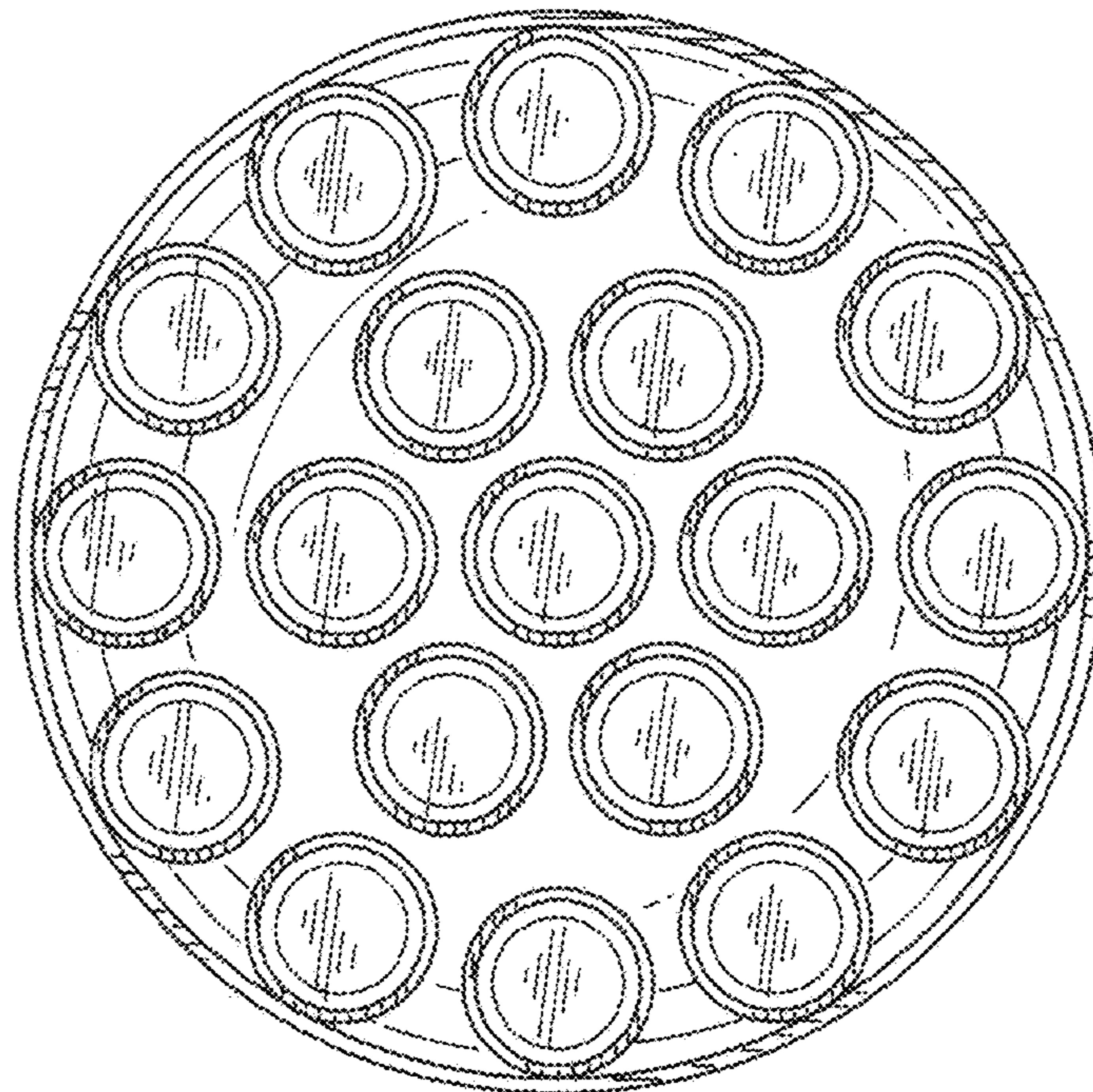


FIG. 4

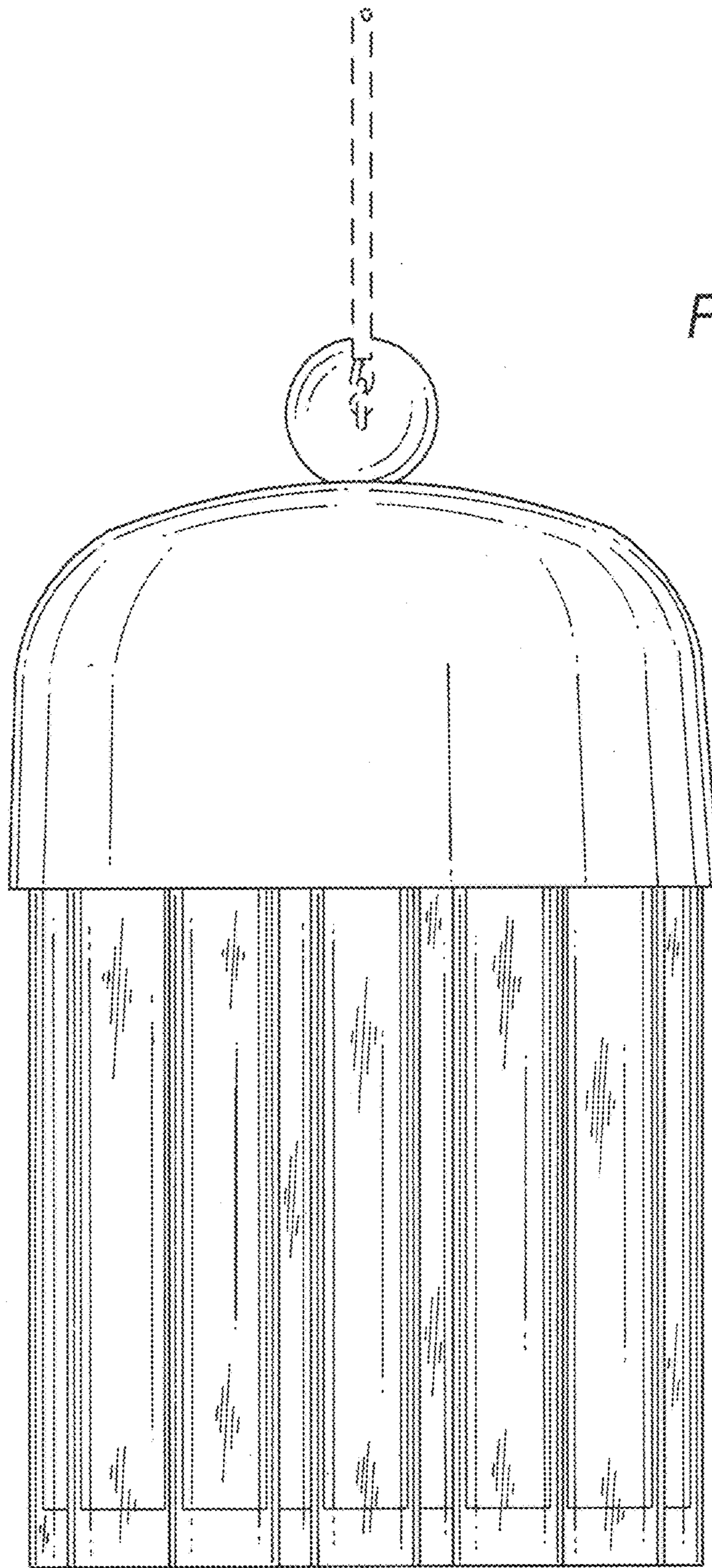
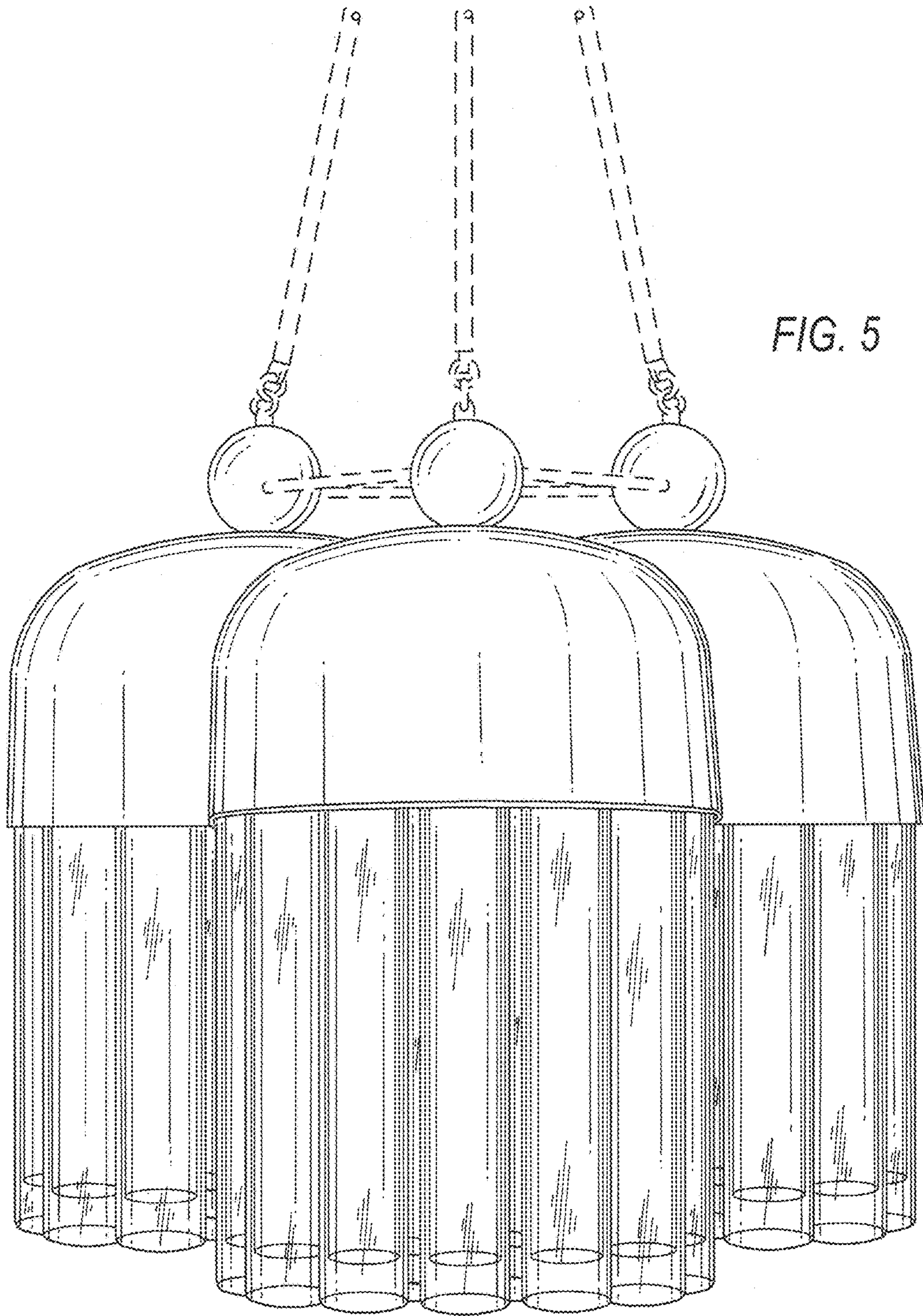


FIG. 3



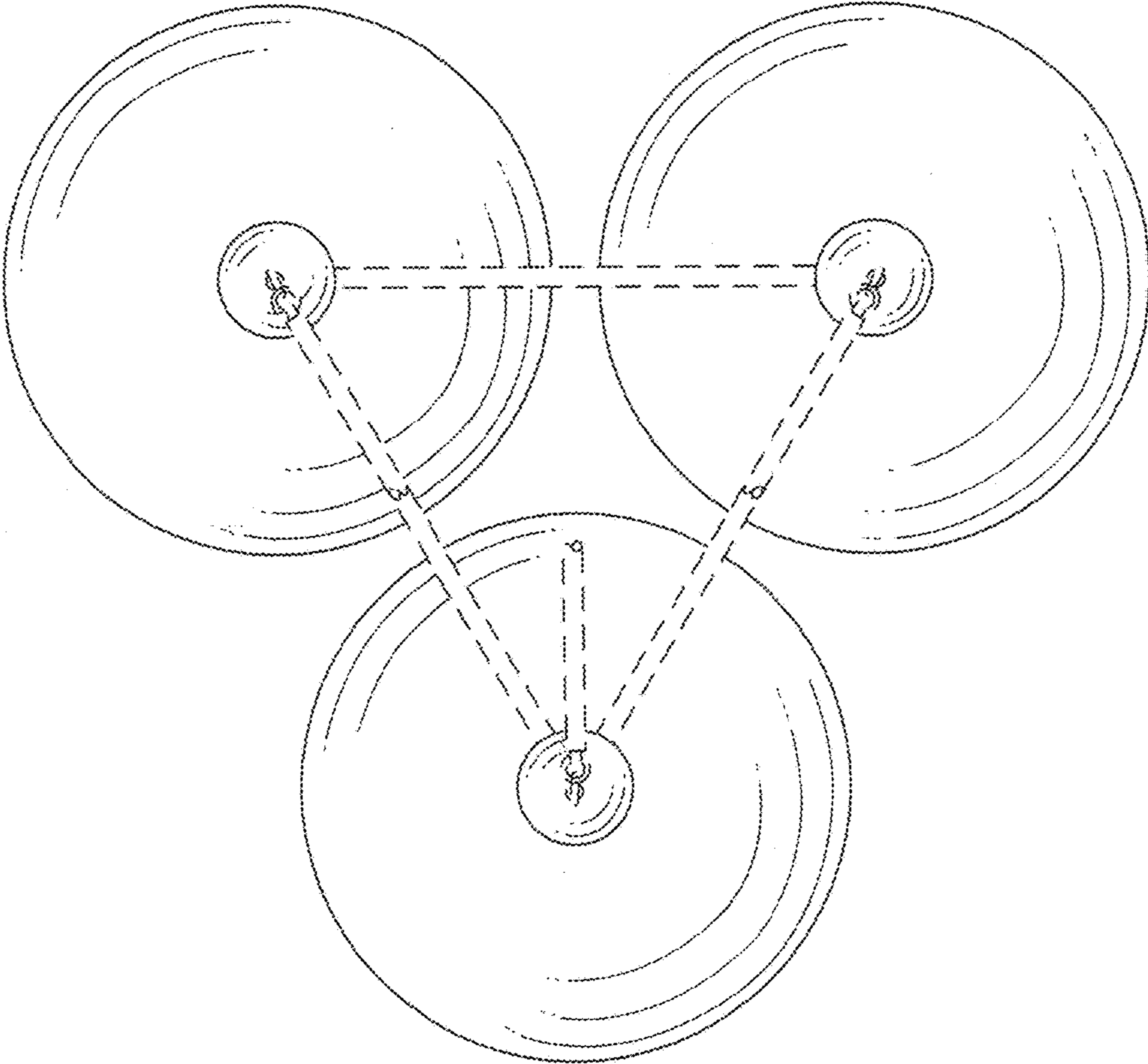


FIG. 6

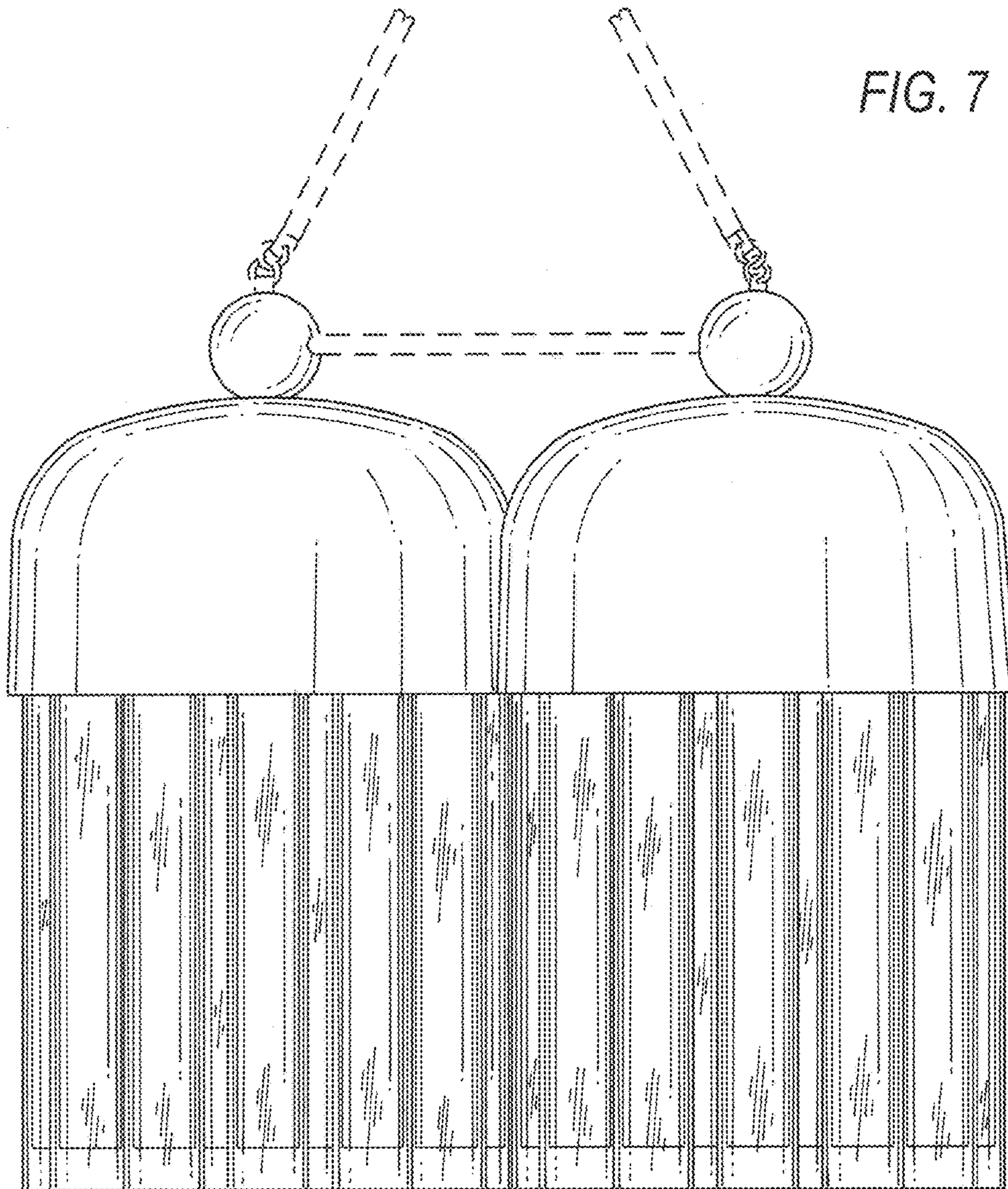
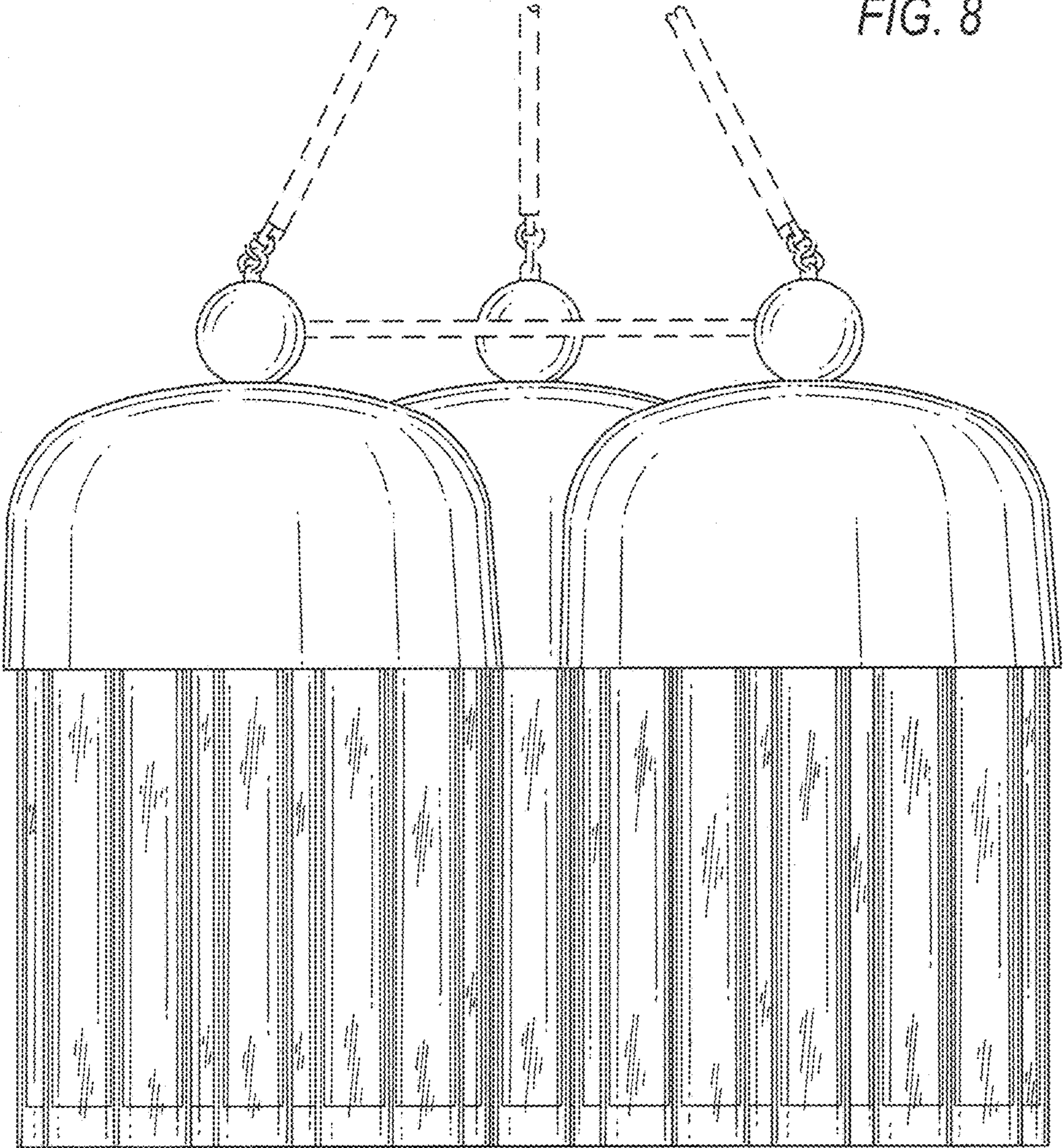


FIG. 8



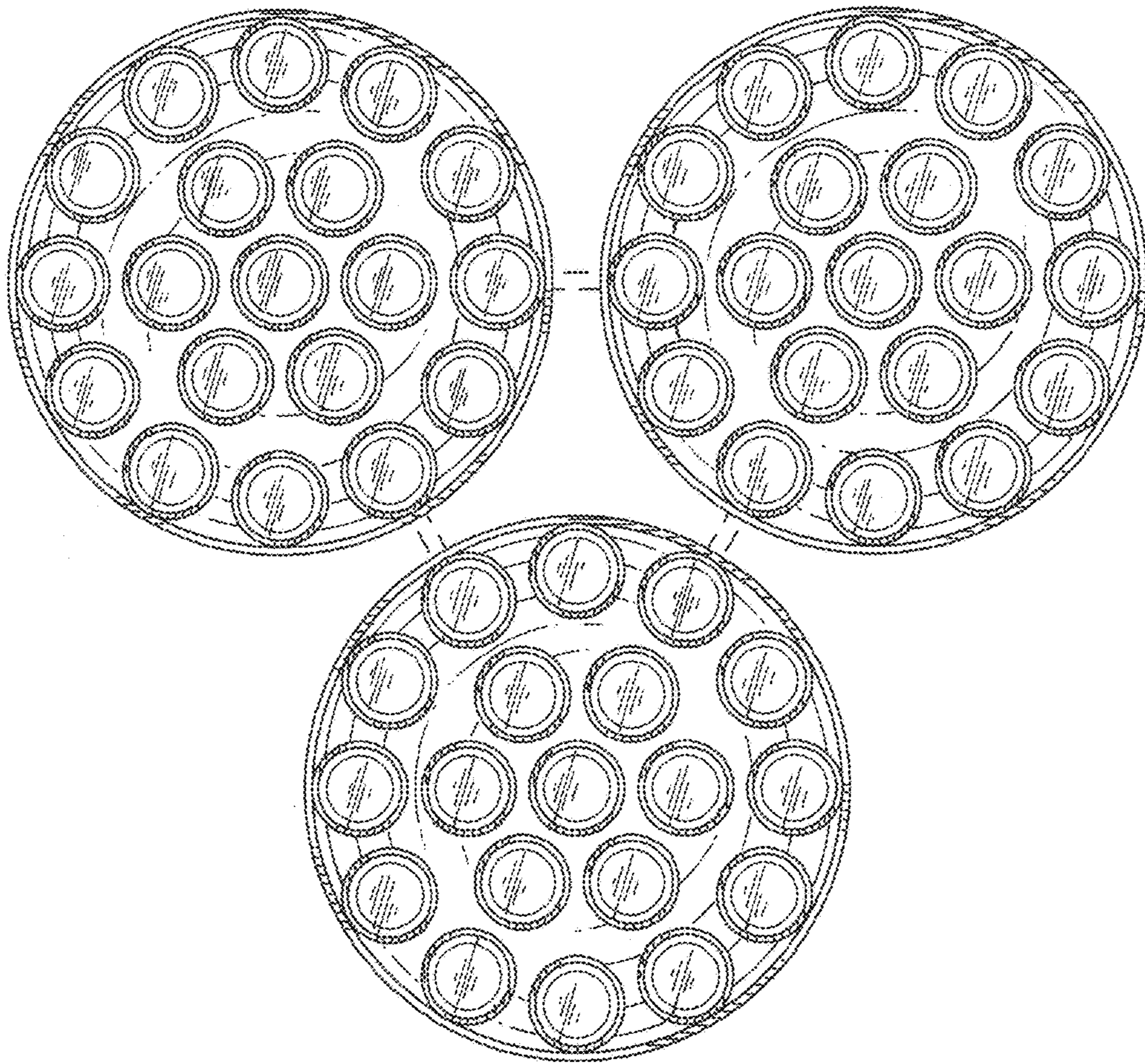


FIG. 9