



US00D804699S

(12) **United States Design Patent** (10) **Patent No.:** **US D804,699 S**
Hendifar et al. (45) **Date of Patent:** **** Dec. 5, 2017**

(54) **LIGHTING FIXTURE**
(71) Applicant: **Apparatus LLC**, New York, NY (US)
(72) Inventors: **Gabriel Hendifar**, Rhinebeck, NY (US); **Jeremy R. Anderson**, Rhinebeck, NY (US)
(73) Assignee: **APPARATUS LLC**, New York, NY (US)

D163,478 S * 5/1951 Poerner D26/81
D198,539 S * 6/1964 Freed D26/70
3,212,713 A * 10/1965 Chatten B05B 17/08
239/17
D558,381 S * 12/2007 Horn D26/85
D688,413 S * 8/2013 Tomlinson D26/129
D725,306 S * 3/2015 Salvagno D26/84
D774,236 S * 12/2016 Anderson D26/85
D788,348 S * 5/2017 Hendifar D26/84

* cited by examiner

(**) Term: **15 Years**

Primary Examiner — Clare E Hefflin
(74) *Attorney, Agent, or Firm* — Gottlieb, Rackman & Reisman, P.C.

(21) Appl. No.: **29/562,883**

(22) Filed: **Apr. 29, 2016**

(57) **CLAIM**

(51) **LOC (10) Cl.** **26-03**

The ornamental design for a lighting fixture, as shown and described.

(52) **U.S. Cl.**
USPC **D26/87; D26/88**

DESCRIPTION

(58) **Field of Classification Search**
USPC D26/80, 81, 83, 84, 85, 86, 87, 88, 128, D26/129, 130, 134, 137, 143, 144, 153
CPC F21S 8/043; F21S 8/046; F21S 8/06; F21S 8/061; F21S 8/063; F21S 8/065; F21S 8/066; F21S 8/068
See application file for complete search history.

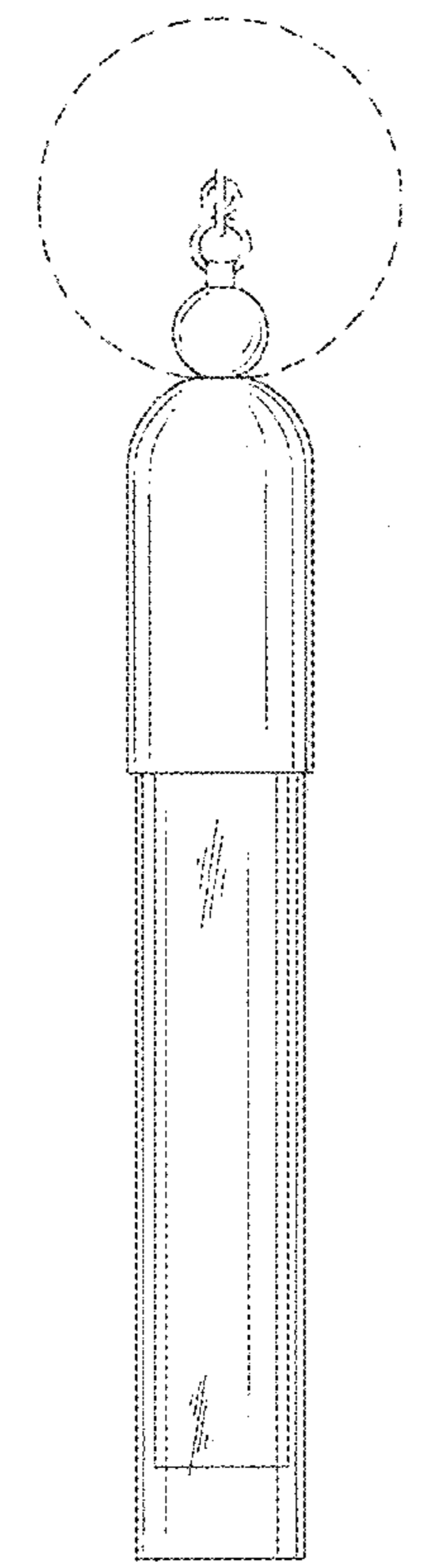
FIG. 1 is a front elevational view of the lighting fixture showing our new design;
FIG. 2 is a top plan view thereof;
FIG. 3 is a right side elevational view thereof, with the left side elevational view being the mirror-image;
FIG. 4 is a rear elevational view thereof; and,
FIG. 5 is a bottom plan view thereof.
The broken lines in FIG. 1-FIG. 5 are for the purposes of illustrating environment only and form no part of the claimed design.

(56) **References Cited**

U.S. PATENT DOCUMENTS

D80,313 S * 1/1930 Hoch D26/80
D152,994 S * 3/1949 McCann D26/87

1 Claim, 3 Drawing Sheets



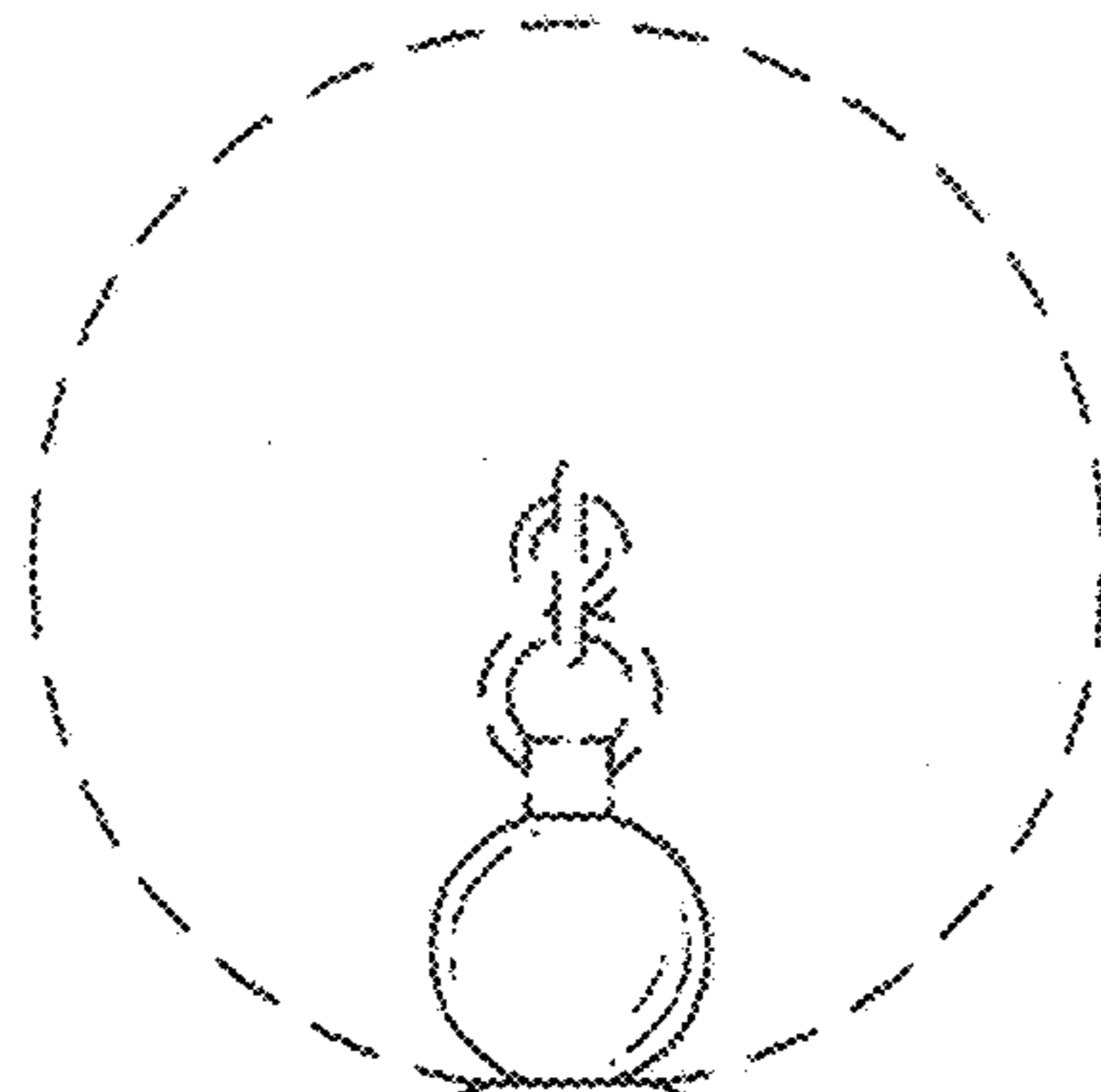


FIG. 1

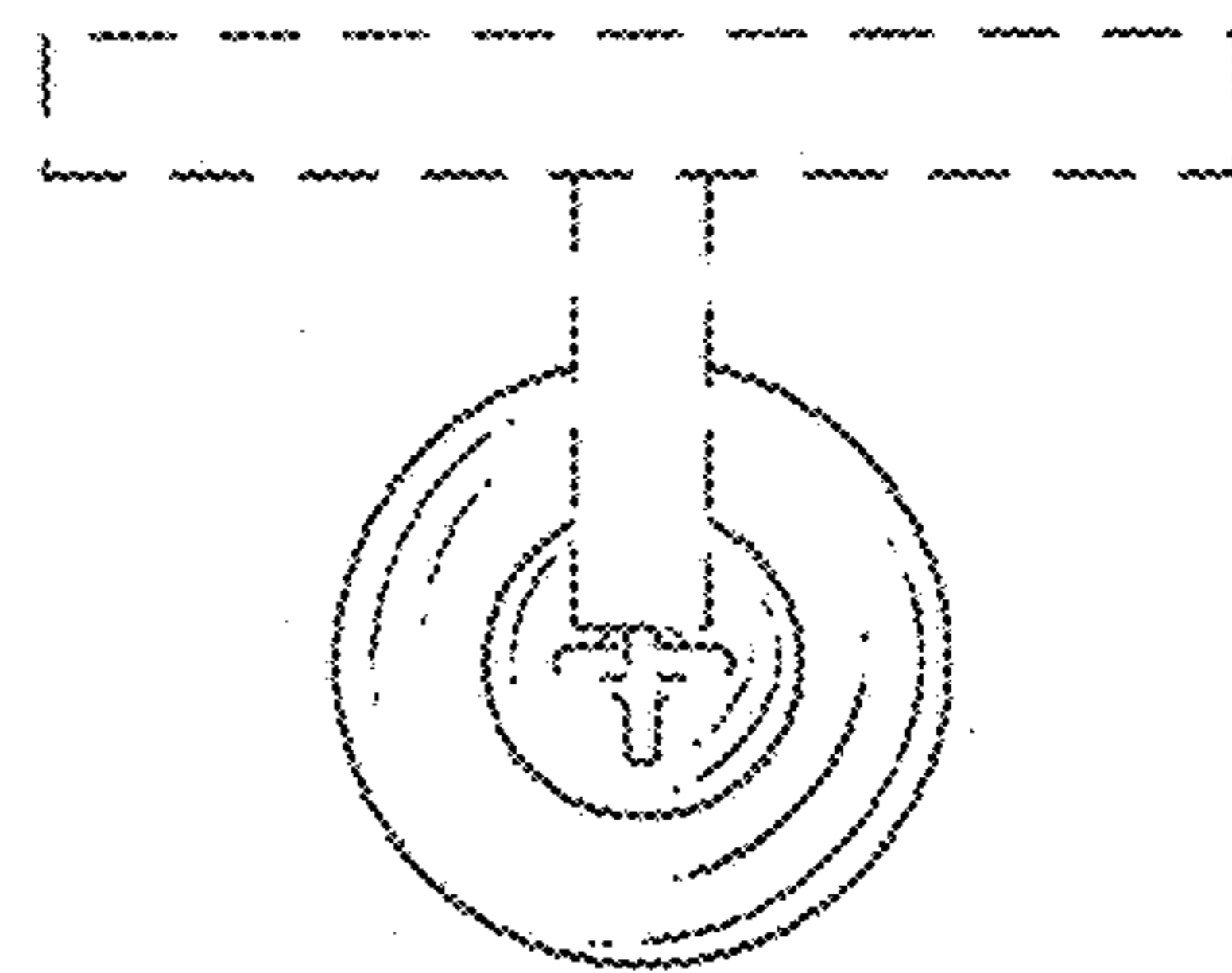


FIG. 2

FIG. 3

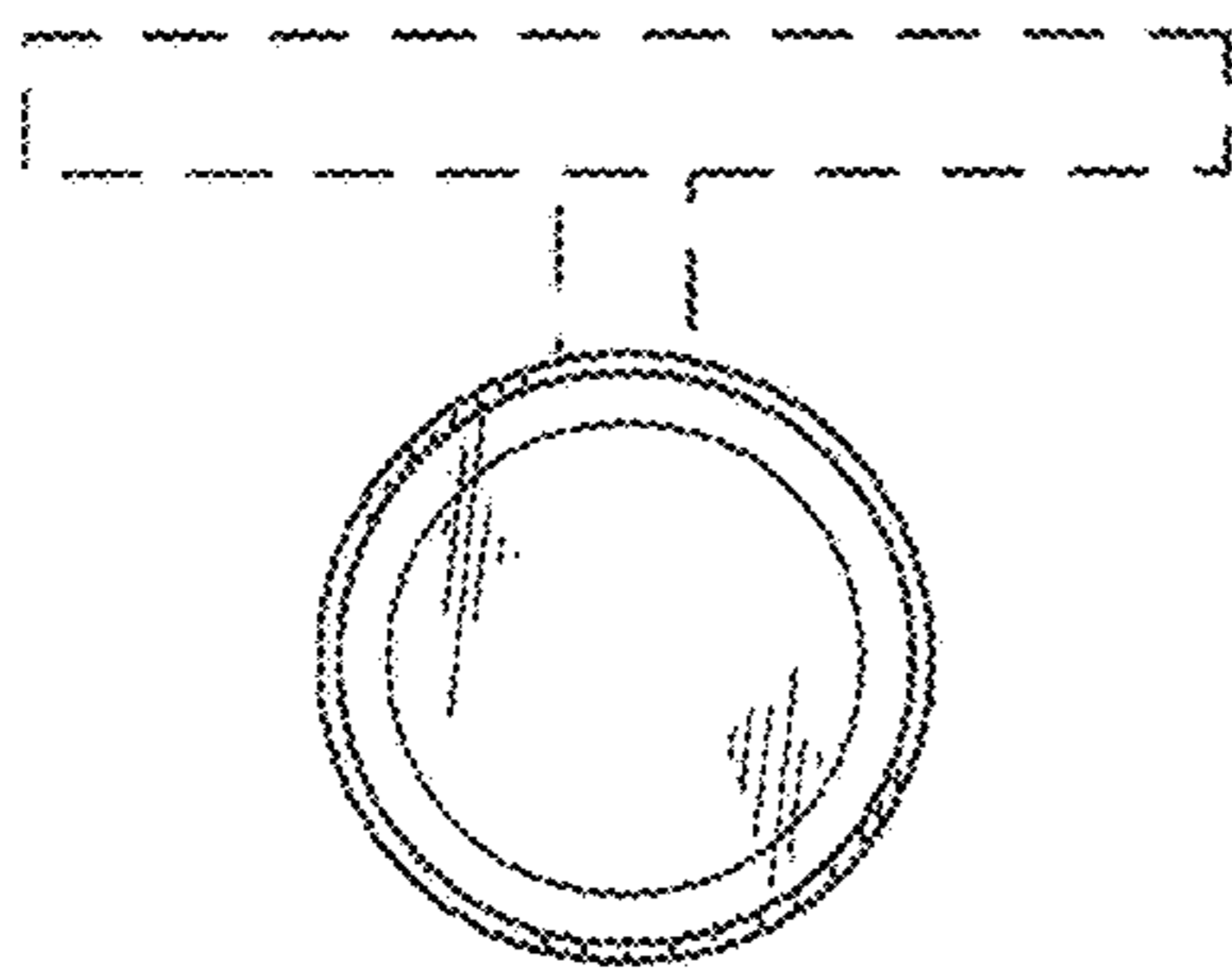
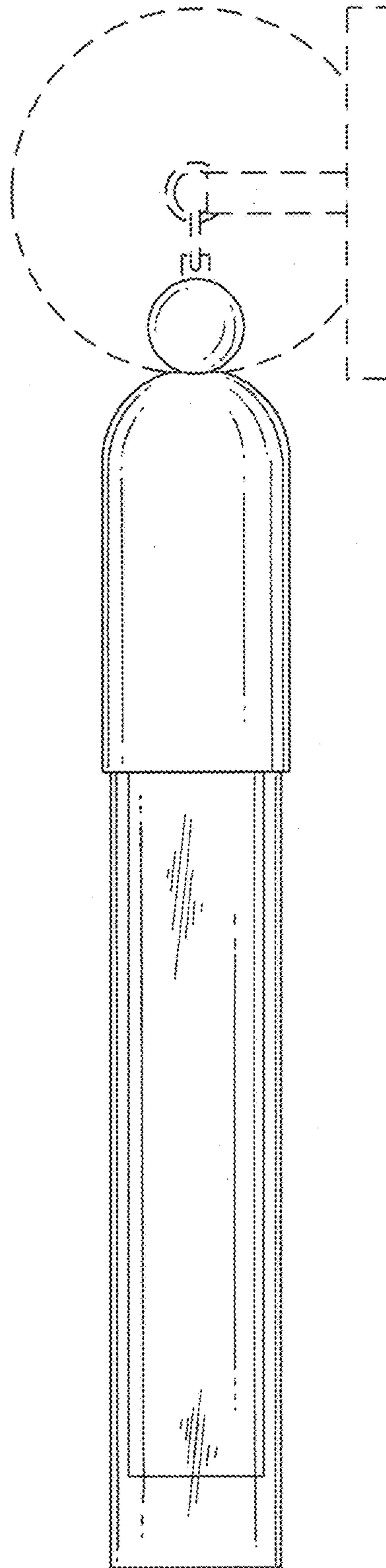


FIG. 5

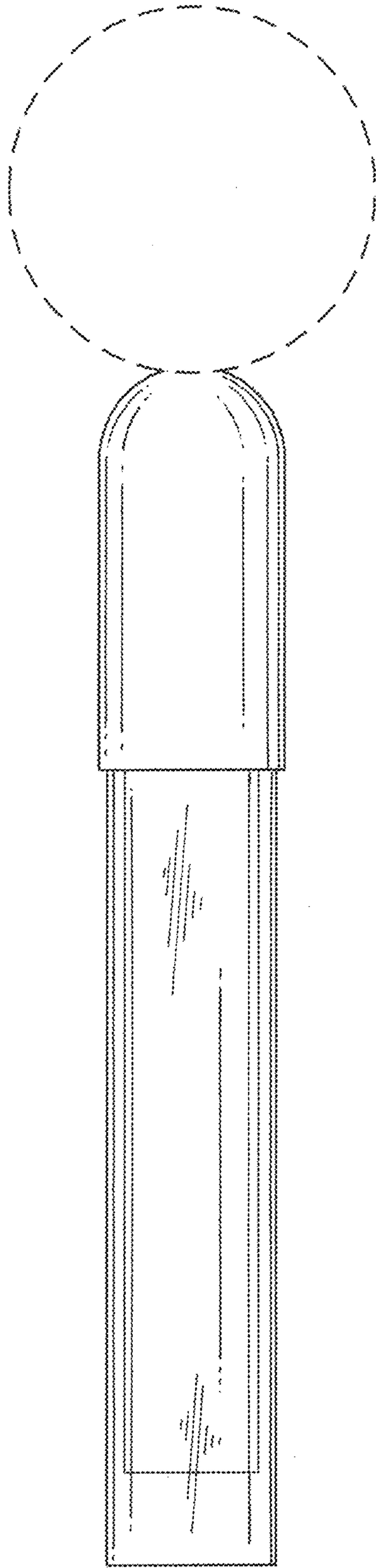


FIG. 4