



US00D804697S

(12) **United States Design Patent**  
**Tang et al.**

(10) **Patent No.:** **US D804,697 S**

(45) **Date of Patent:** **\*\* Dec. 5, 2017**

(54) **DESK LAMP**

(71) Applicants: **Zhisheng Tang**, Zhongshan (CN);  
**Guisheng Tang**, Zhongshan (CN)

(72) Inventors: **Zhisheng Tang**, Zhongshan (CN);  
**Guisheng Tang**, Zhongshan (CN)

(\*\*) Term: **15 Years**

(21) Appl. No.: **29/567,180**

(22) Filed: **Jun. 6, 2016**

(30) **Foreign Application Priority Data**

Dec. 21, 2015 (CN) ..... 2015 3 0548186

(51) **LOC (10) Cl.** ..... **26-03**

(52) **U.S. Cl.**  
USPC ..... **D26/63**

(58) **Field of Classification Search**

USPC ..... D26/24, 61, 63, 65, 106-112

CPC ..... F21V 21/14; F21V 15/01; F21V 14/02;

F21V 21/30; F21V 21/00; F21V 14/00;

F21S 8/00; F21S 8/003; F21S 8/043;

F21Y 2105/001

See application file for complete search history.

(56) **References Cited**

**U.S. PATENT DOCUMENTS**

D449,126 S \* 10/2001 Zeller ..... D26/60

D488,248 S \* 4/2004 Toyoaki ..... D26/65

D622,882 S \* 8/2010 Lee ..... D26/63  
D627,501 S \* 11/2010 Lin ..... D26/65  
D641,515 S \* 7/2011 Chung ..... D26/63  
D641,916 S \* 7/2011 Witsch ..... D26/61  
D654,199 S \* 2/2012 Xie ..... D26/63  
D758,631 S \* 6/2016 Cai ..... D26/63  
D759,282 S \* 6/2016 Lee ..... D26/65  
D765,900 S \* 9/2016 Oh ..... D26/63

\* cited by examiner

*Primary Examiner* — Brian N. Vinson

(74) *Attorney, Agent, or Firm* — Matthias Scholl, PC;  
Matthias Scholl

(57) **CLAIM**

The ornamental design for a desk lamp, as shown and described.

**DESCRIPTION**

FIG. 1 is a front elevational view of a desk lamp;

FIG. 2 is a rear elevational view thereof;

FIG. 3 is a left side elevational view thereof;

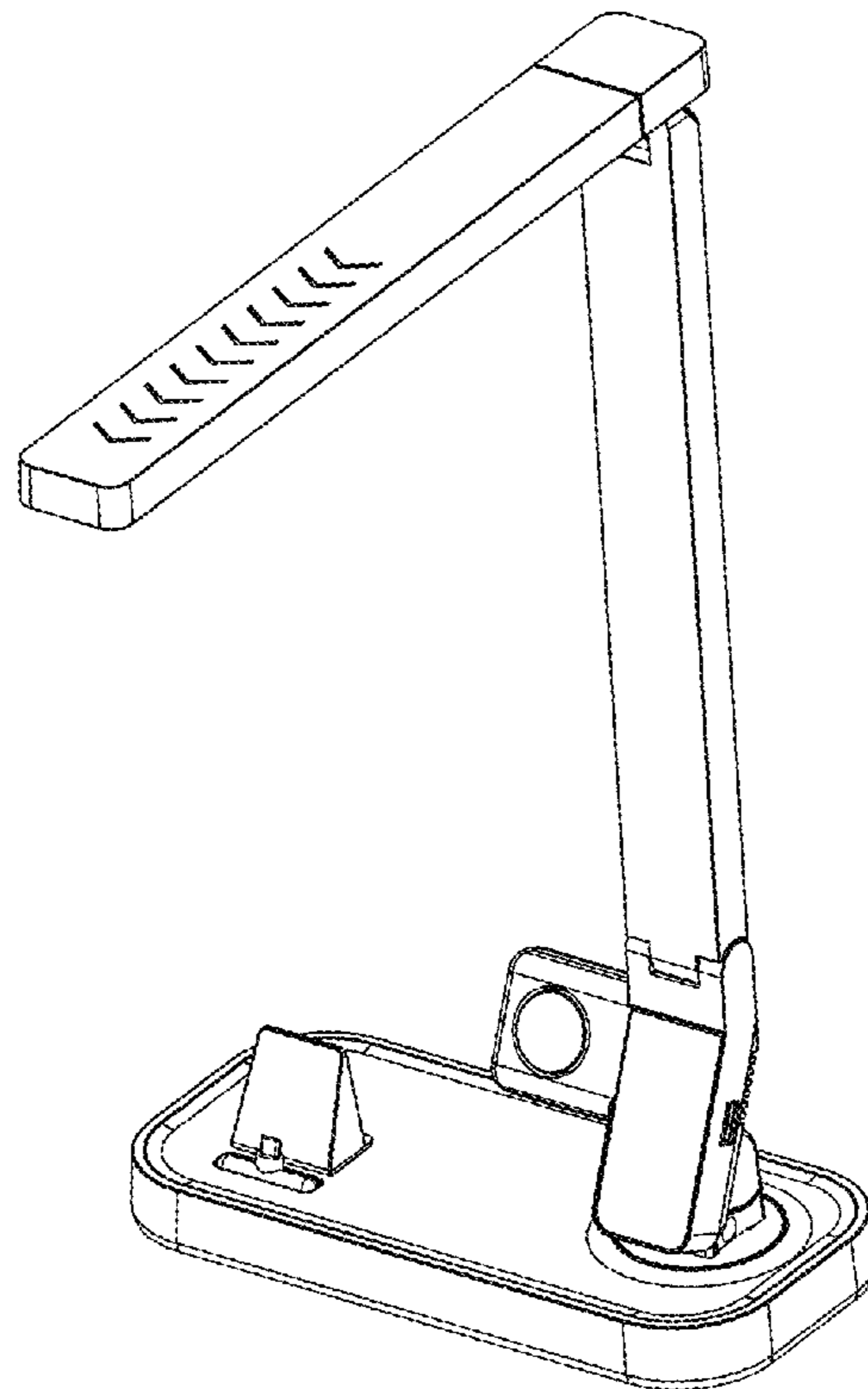
FIG. 4 is a right side elevational view thereof;

FIG. 5 is a top plan view thereof;

FIG. 6 is a bottom plan view thereof; and,

FIG. 7 is a perspective thereof.

**1 Claim, 7 Drawing Sheets**



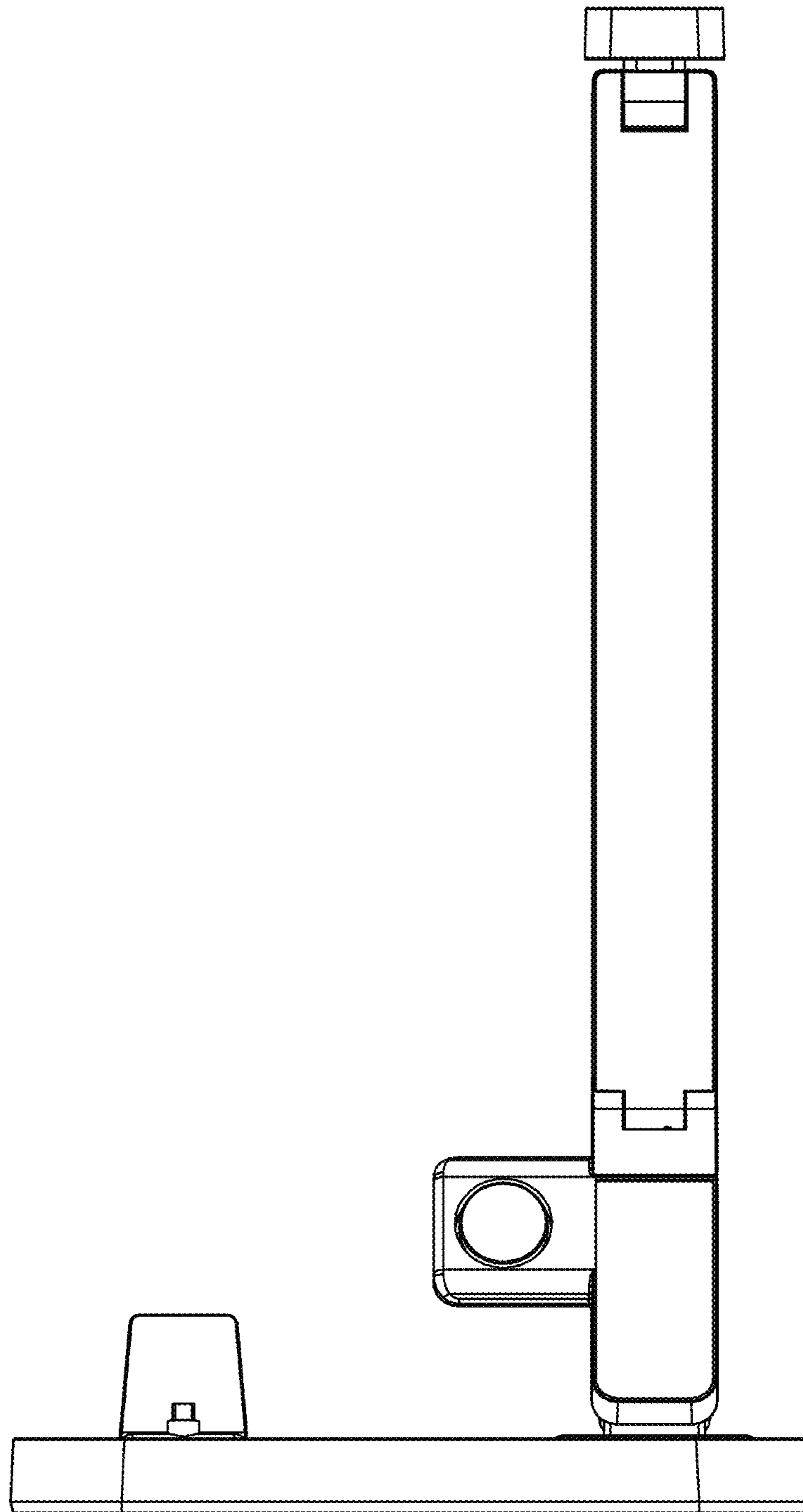


FIG. 1

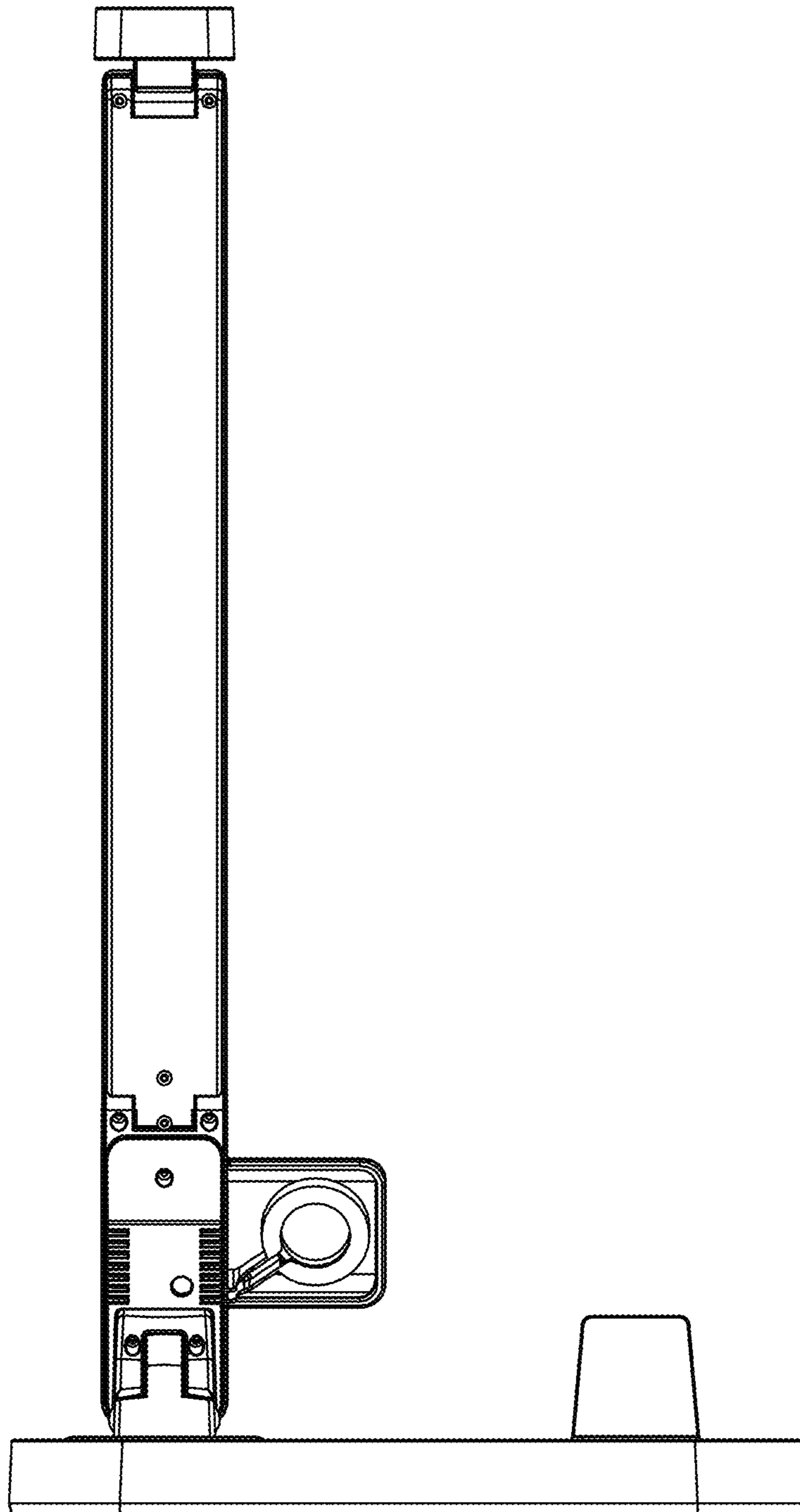


FIG. 2

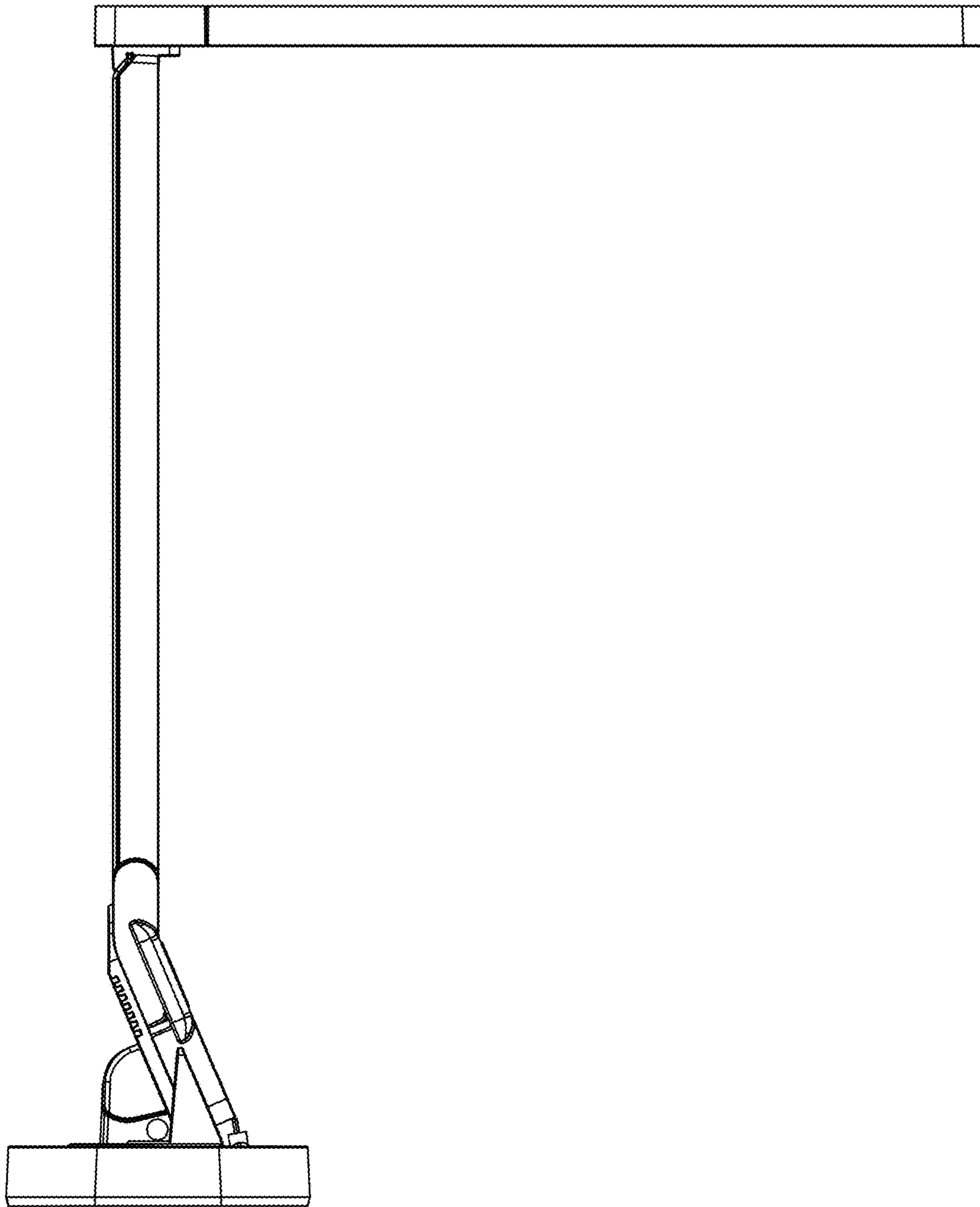


FIG. 3

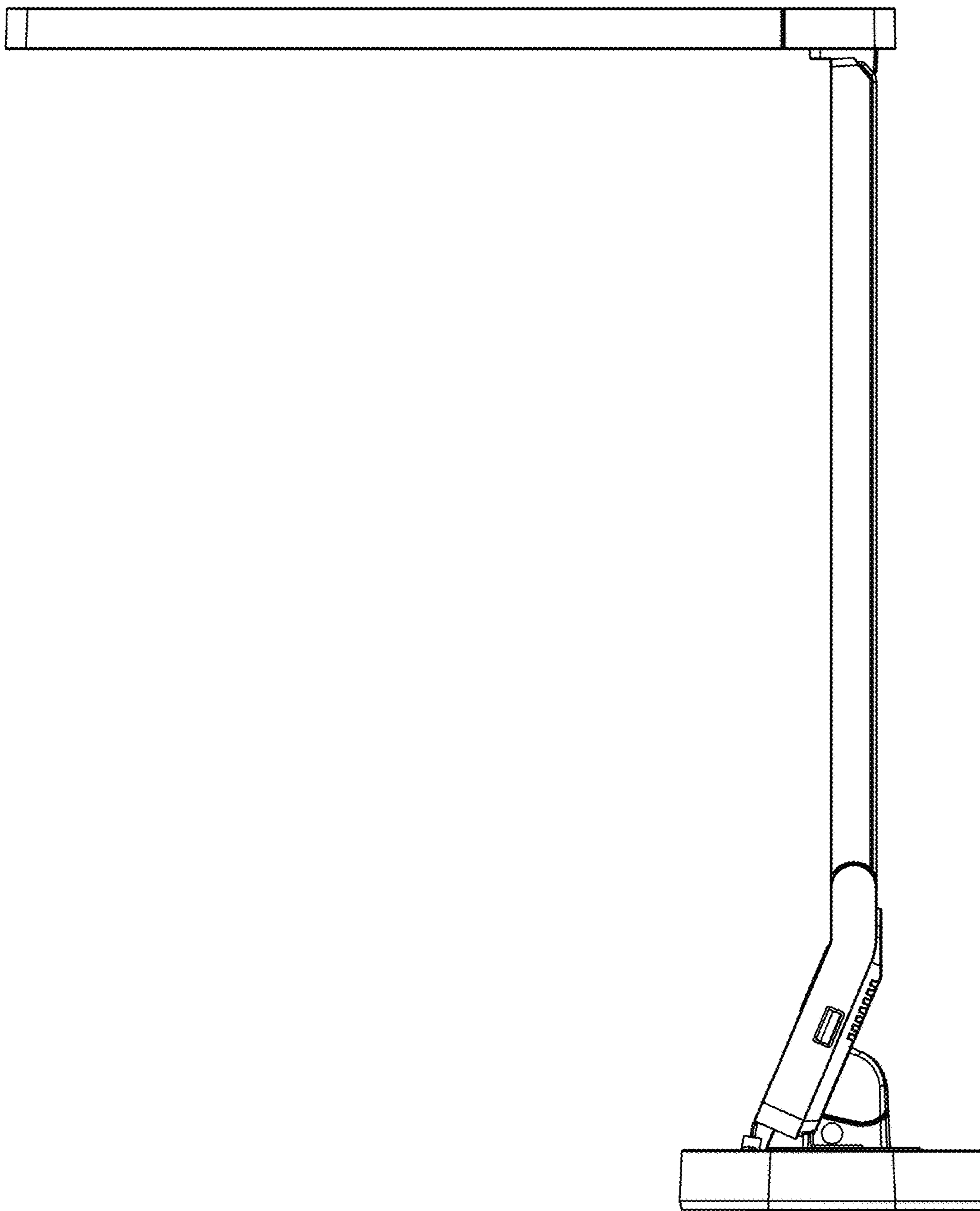


FIG. 4

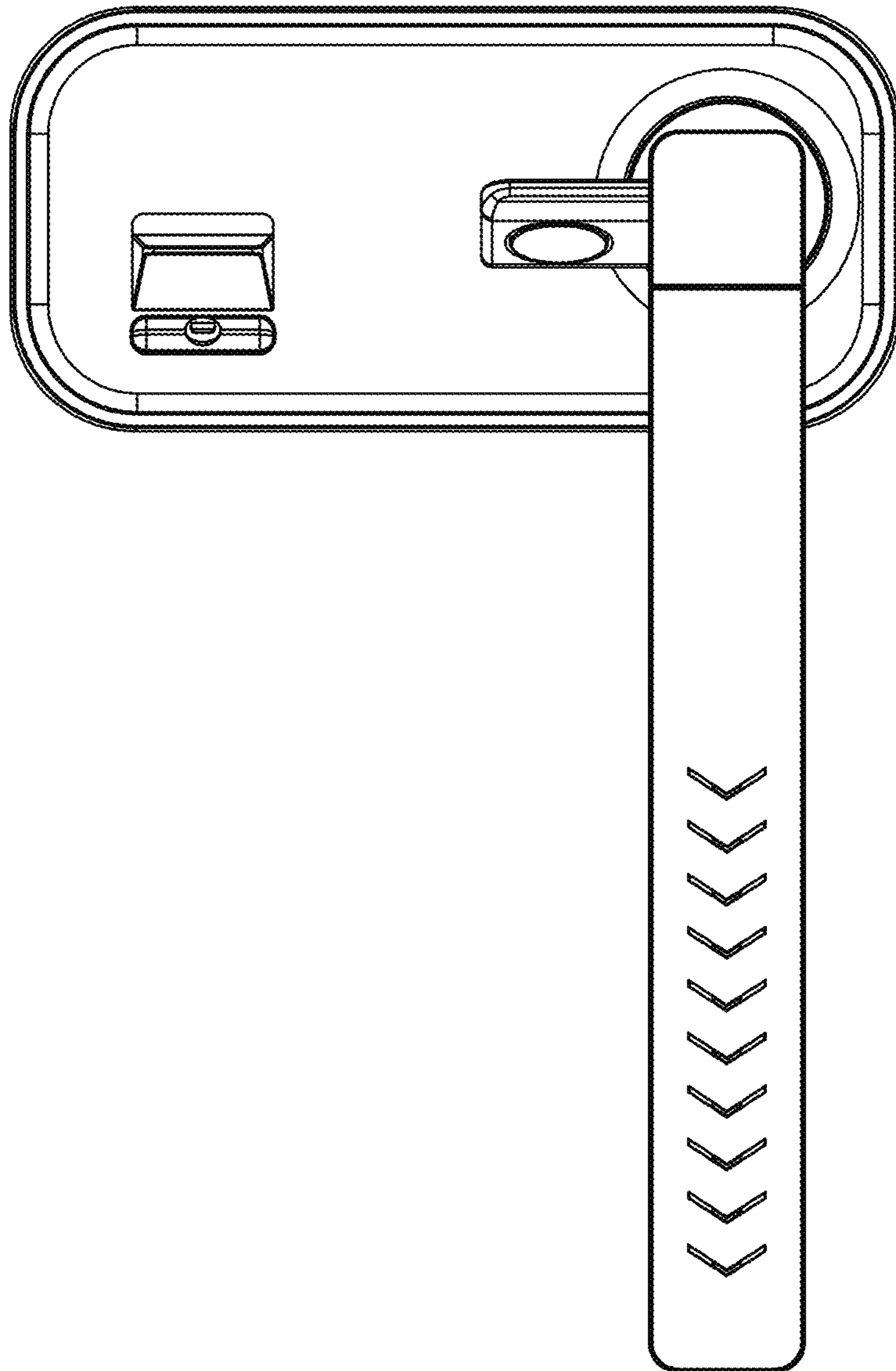


FIG. 5

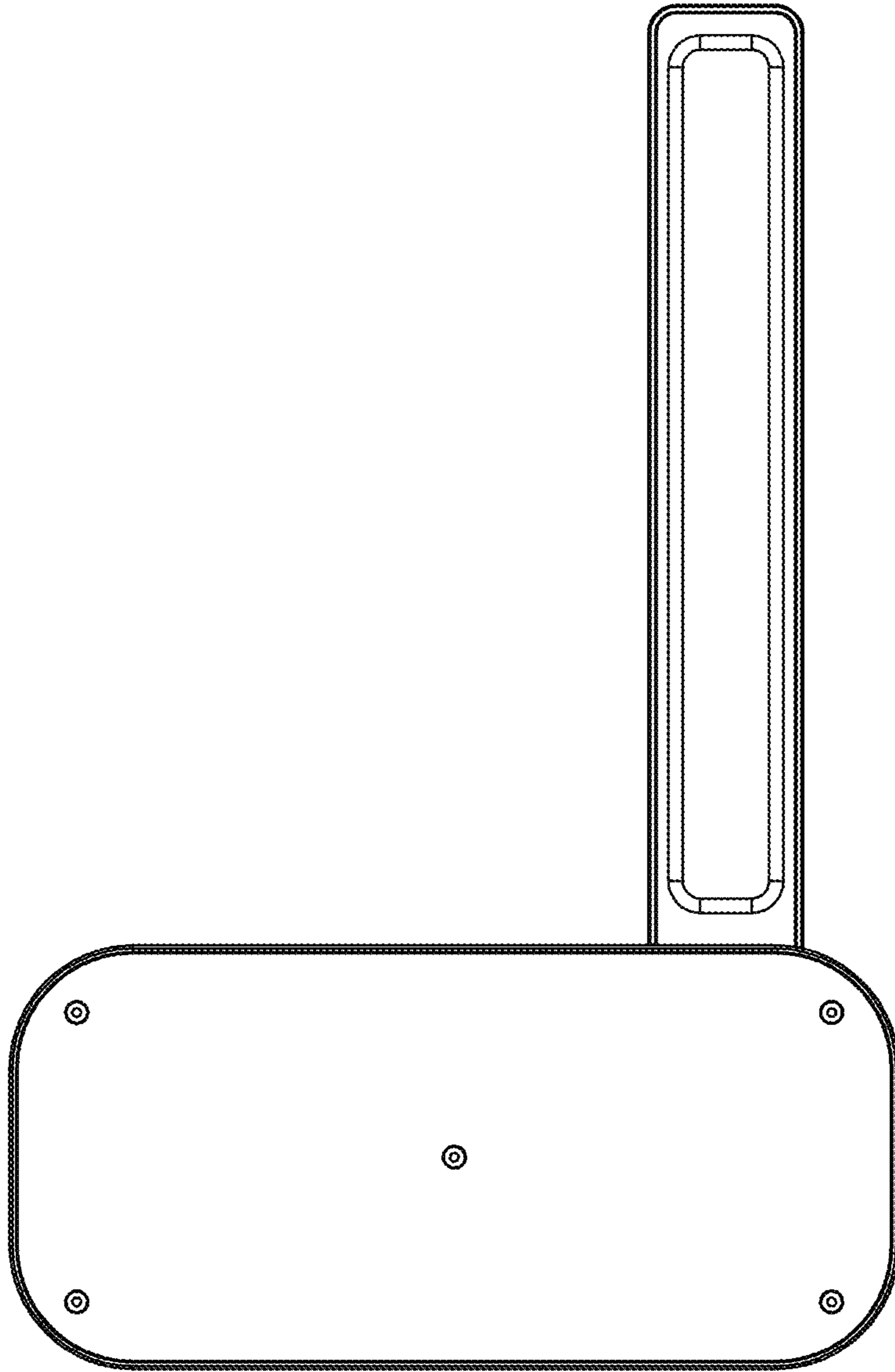


FIG. 6

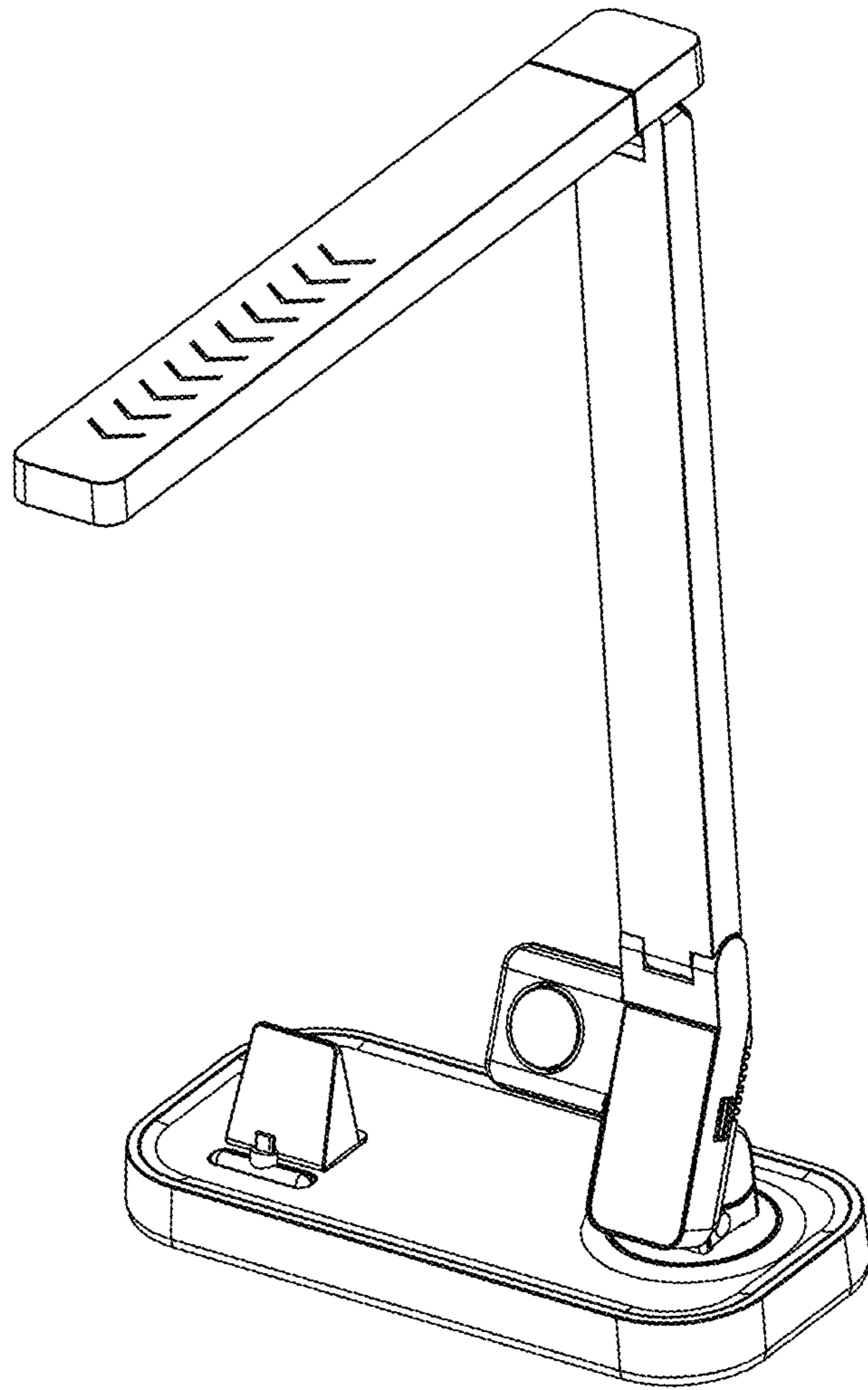


FIG. 7