



US00D804696S

(12) **United States Design Patent**
Cheng et al.

(10) **Patent No.:** **US D804,696 S**

(45) **Date of Patent:** **** Dec. 5, 2017**

(54) **TACTICAL FLASHLIGHT**

(71) Applicants: **Carson Cheng**, City of Industry, CA
(US); **Changan Tian**, City of Industry,
CA (US)

(72) Inventors: **Carson Cheng**, City of Industry, CA
(US); **Changan Tian**, City of Industry,
CA (US)

(73) Assignee: **NcSTAR, Inc.**, City of Industry, CA
(US)

(**) Term: **14 Years**

(21) Appl. No.: **29/508,133**

(22) Filed: **Nov. 3, 2014**

(51) **LOC (10) Cl.** **26-02**

(52) **U.S. Cl.**
USPC **D26/49**

(58) **Field of Classification Search**
USPC D26/37, 38, 45, 46, 49, 51; 362/157,
362/158, 184, 183, 194-196, 202-208
CPC F21V 33/00; F21V 14/025; F21V 21/406;
F21Y 2101/02; F21L 17/00; F21L 13/08;
F21L 2001/00; F21L 14/02
See application file for complete search history.

(56) **References Cited**

U.S. PATENT DOCUMENTS

D496,115 S *	9/2004	Lin	D26/49
D532,138 S *	11/2006	Wang	D26/49
D564,116 S *	3/2008	Linardos	D26/49
D565,220 S *	3/2008	Galli	D26/49
D586,025 S *	2/2009	Bonis	D26/49
D596,328 S *	7/2009	Shiu	D26/49
D596,329 S *	7/2009	Galli	D26/49
D599,928 S *	9/2009	Shiu	D26/49
D601,737 S *	10/2009	Swan	D26/49

D621,538 S *	8/2010	Bushee	D26/49
D659,271 S *	5/2012	Nguyen	D26/49
D659,869 S *	5/2012	Prieto	D26/49
D660,488 S *	5/2012	Ye	D26/49
D685,939 S *	7/2013	Cooper	D26/49
D703,358 S *	4/2014	Shiu	D26/49
D709,230 S *	7/2014	Nguyen	D26/49
D709,231 S *	7/2014	Nguyen	D26/49
D710,526 S *	8/2014	Lee	D26/49
D719,694 S *	12/2014	Nawaz	D22/117
D726,358 S *	4/2015	Young	D26/40
D728,139 S *	4/2015	Wang	D26/49

* cited by examiner

Primary Examiner — Ian Simmons

Assistant Examiner — Carissa C Fitts

(74) *Attorney, Agent, or Firm* — Raymond Y. Chan;
David and Raymond Patent Firm

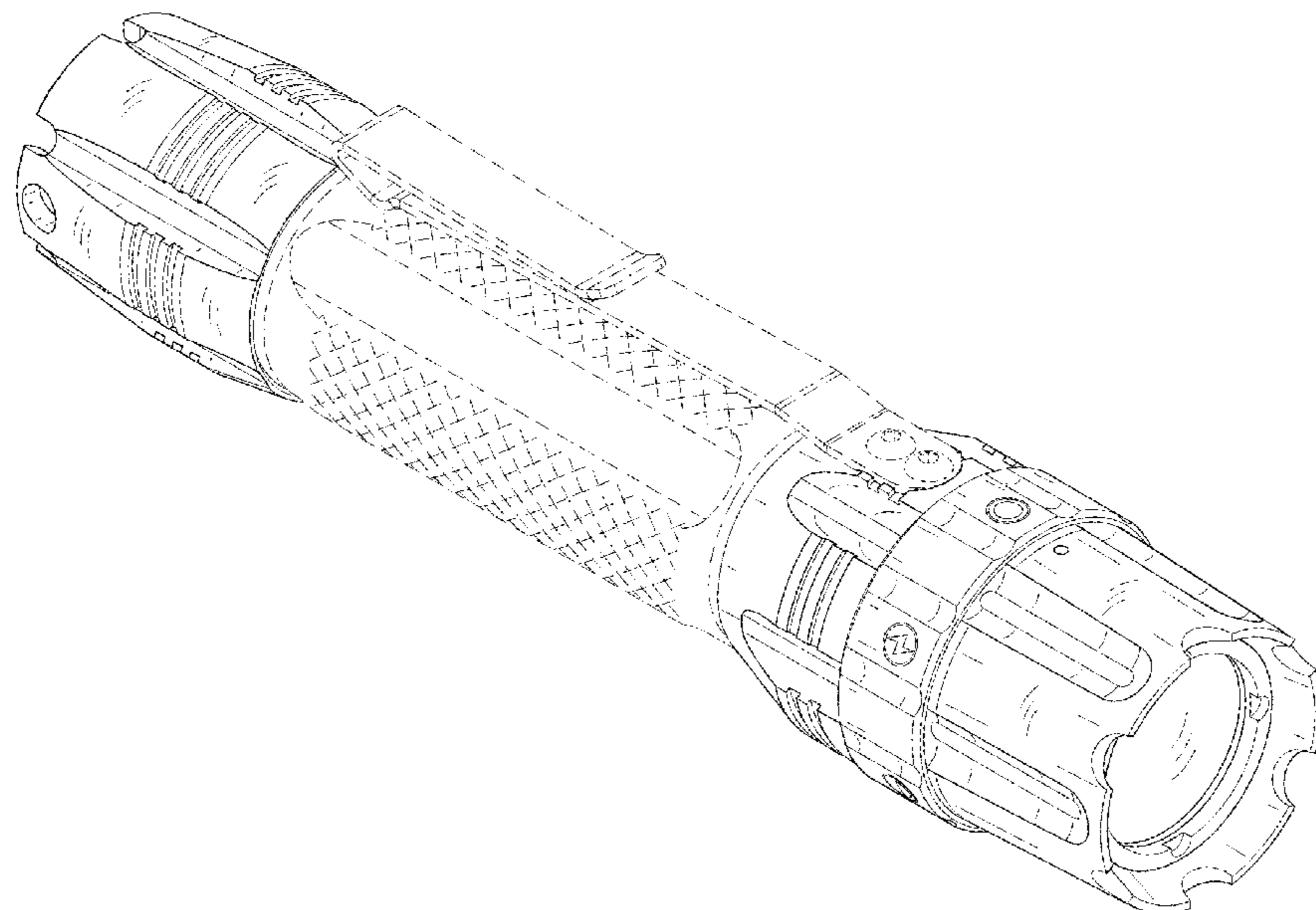
(57) **CLAIM**

The ornamental design for a tactical flashlight, as shown and described.

DESCRIPTION

FIG. 1 is a perspective view of a tactical flashlight showing my new design.
FIG. 2 is a front view of the tactical flashlight.
FIG. 3 is a rear view of the tactical flashlight.
FIG. 4 is a top view of the tactical flashlight.
FIG. 5 is a bottom view of the tactical flashlight.
FIG. 6 is a right view of the tactical flashlight.
FIG. 7 is a left view of the tactical flashlight; and,
FIG. 8 is a perspective view of the tactical flashlight, showing a firearm mount coupled to the tactical flashlight. The broken lines represent unclaimed portions of the design article. The broken line showing of a firearm mount in FIG. 8 represents environment. All of the broken lines form no part of the claimed design.

1 Claim, 7 Drawing Sheets



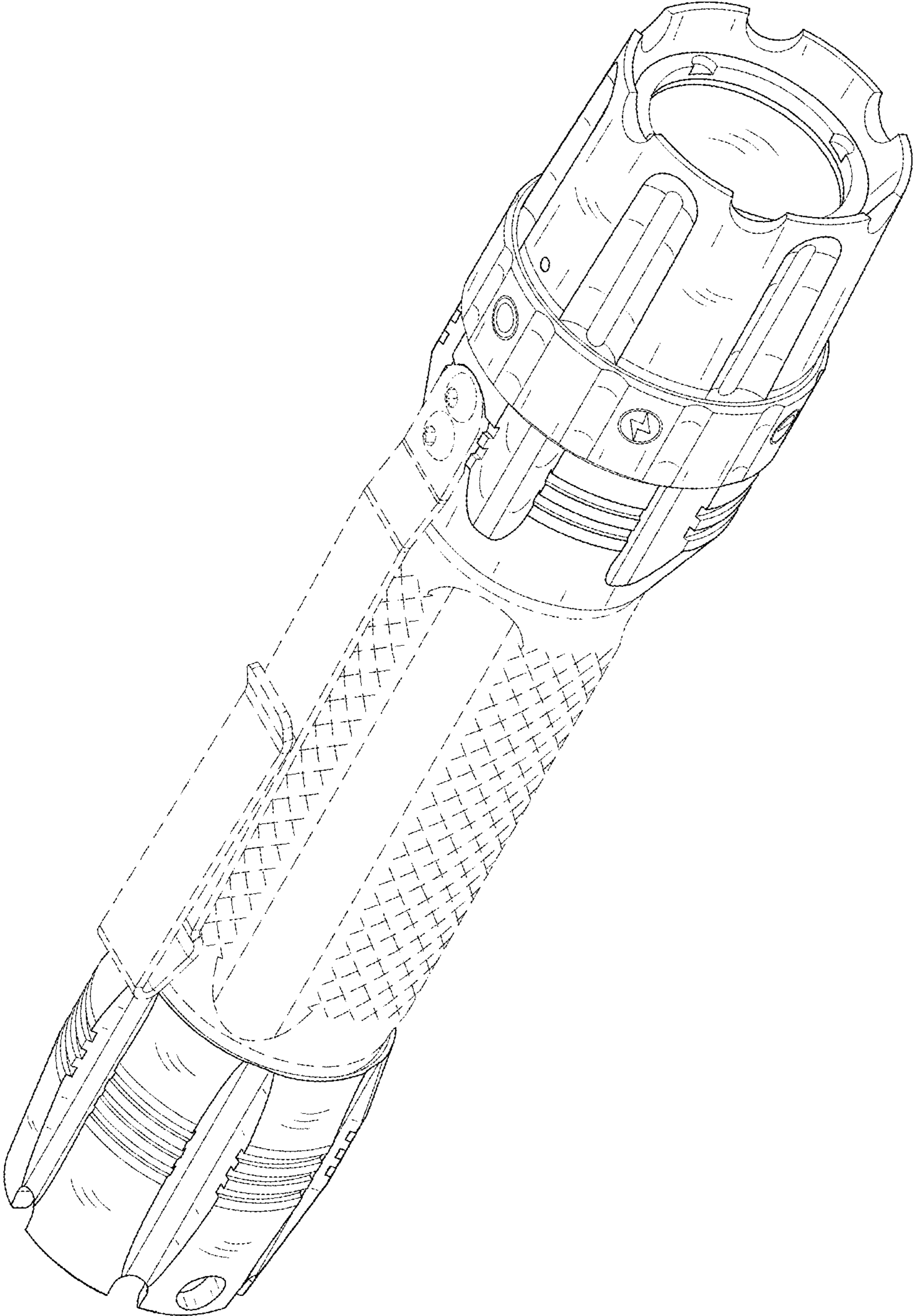


FIG.1

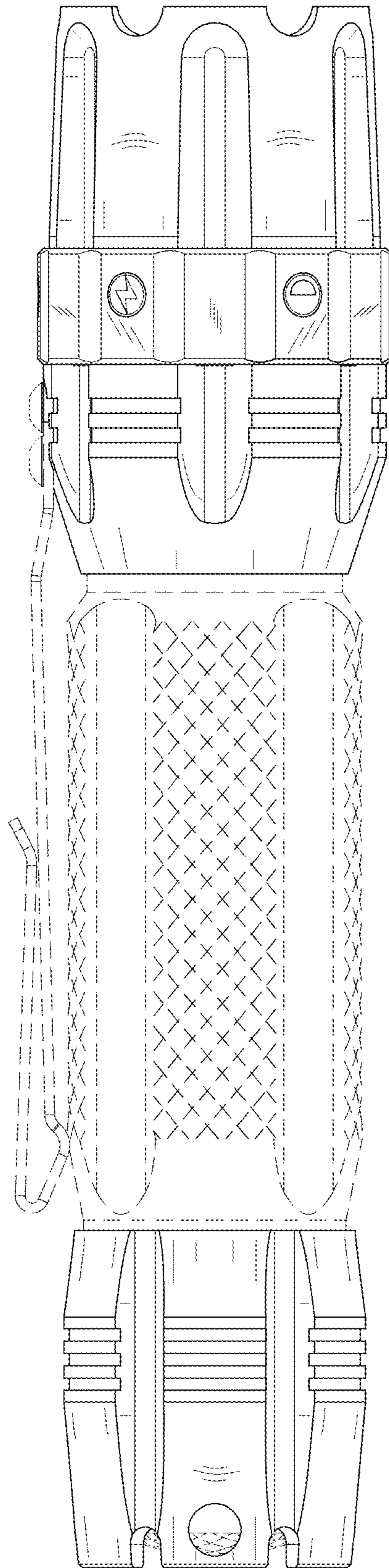


FIG.2

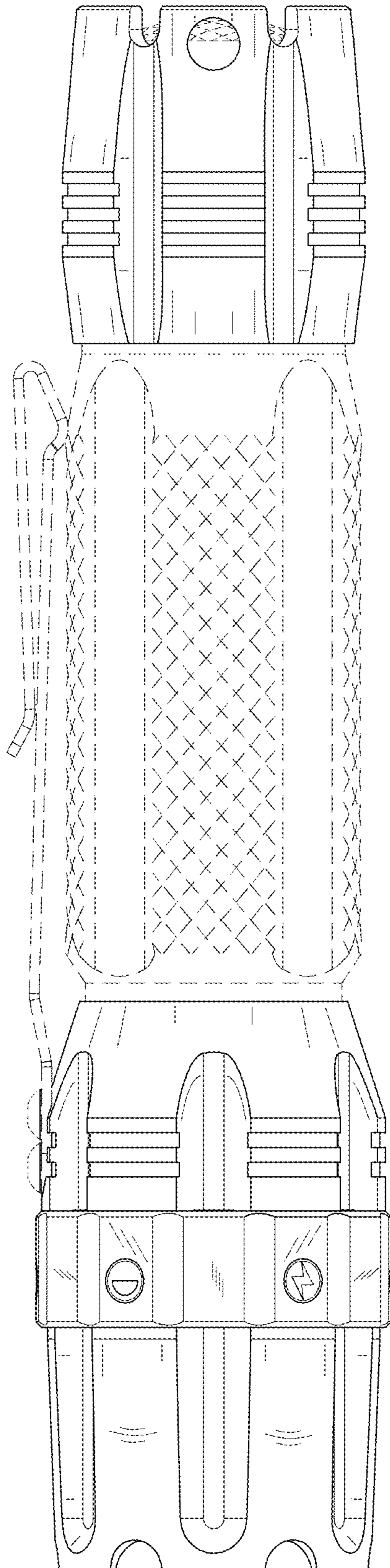


FIG.3

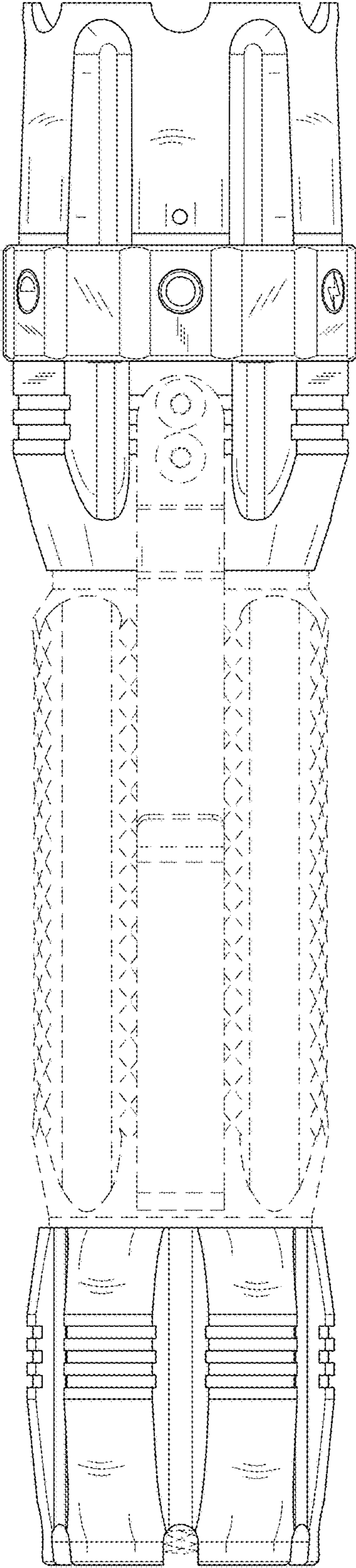


FIG.4

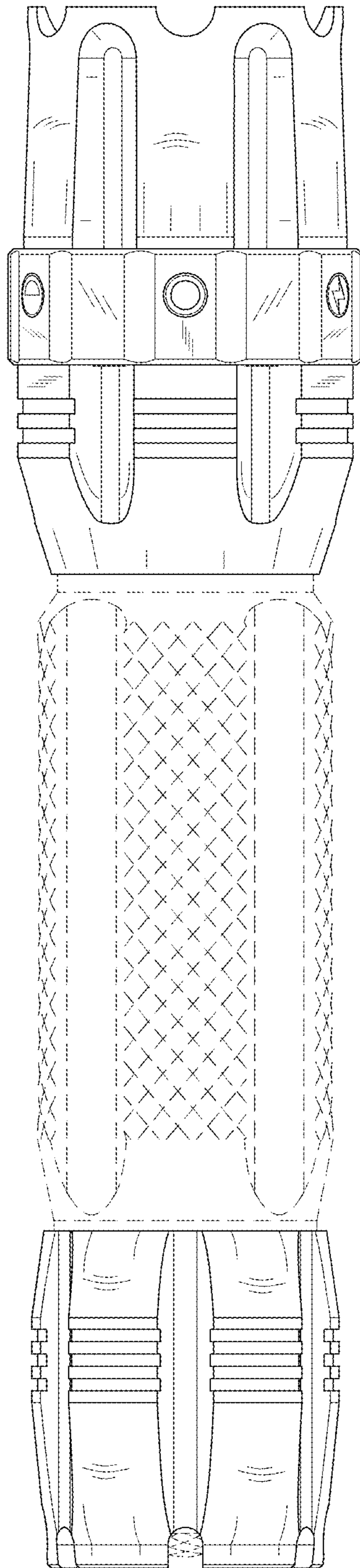


FIG. 5

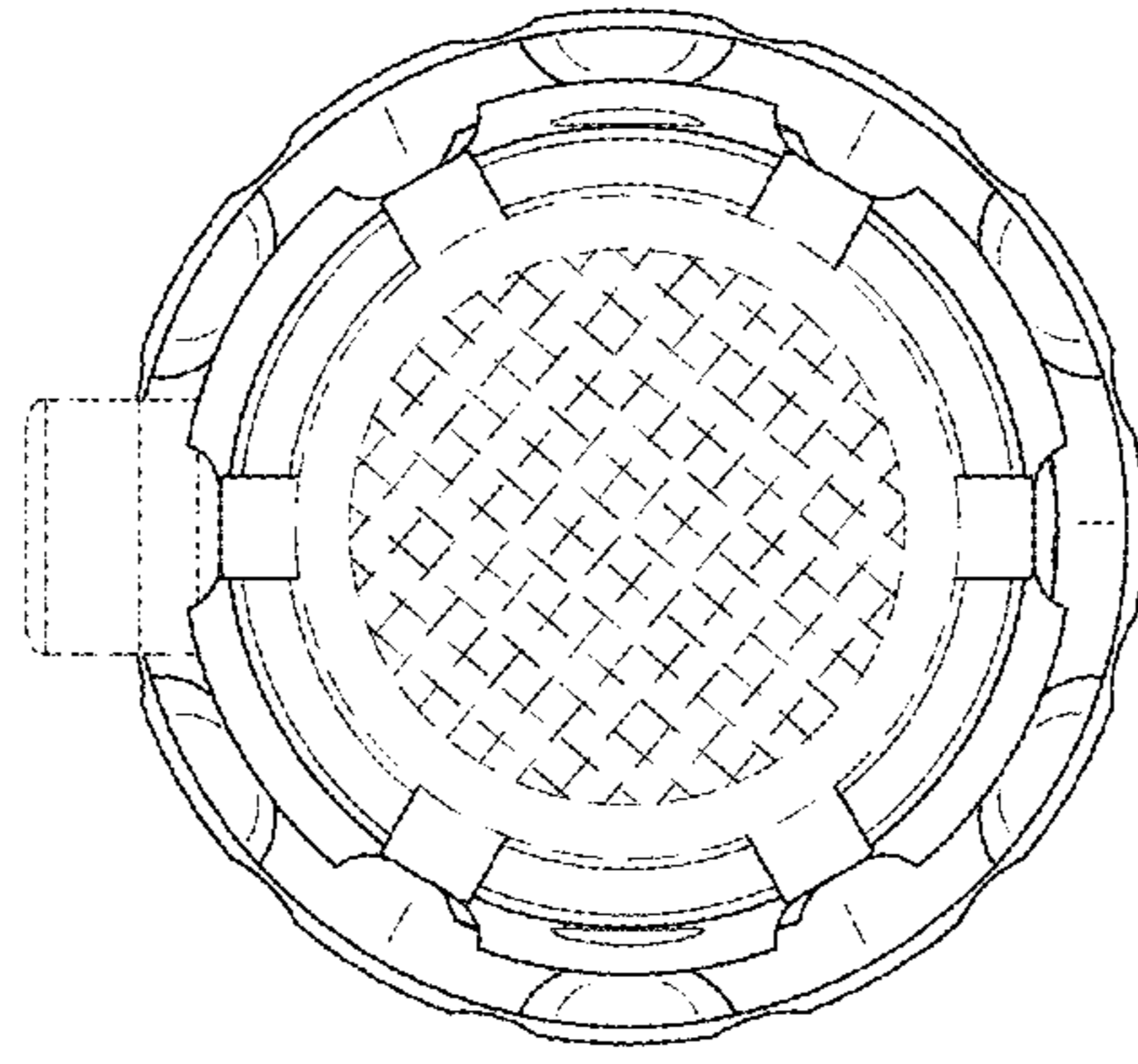


FIG. 6

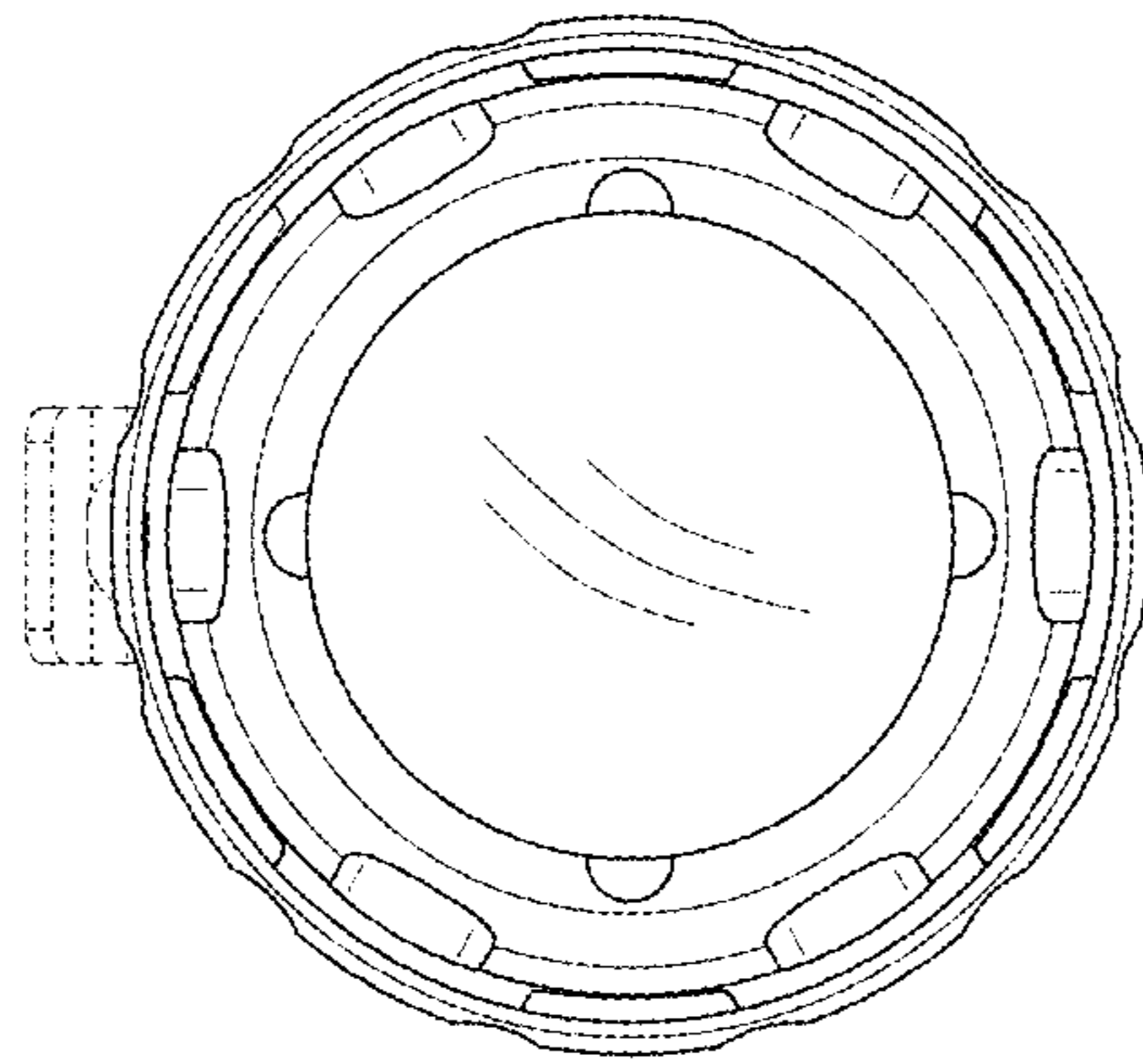


FIG. 7

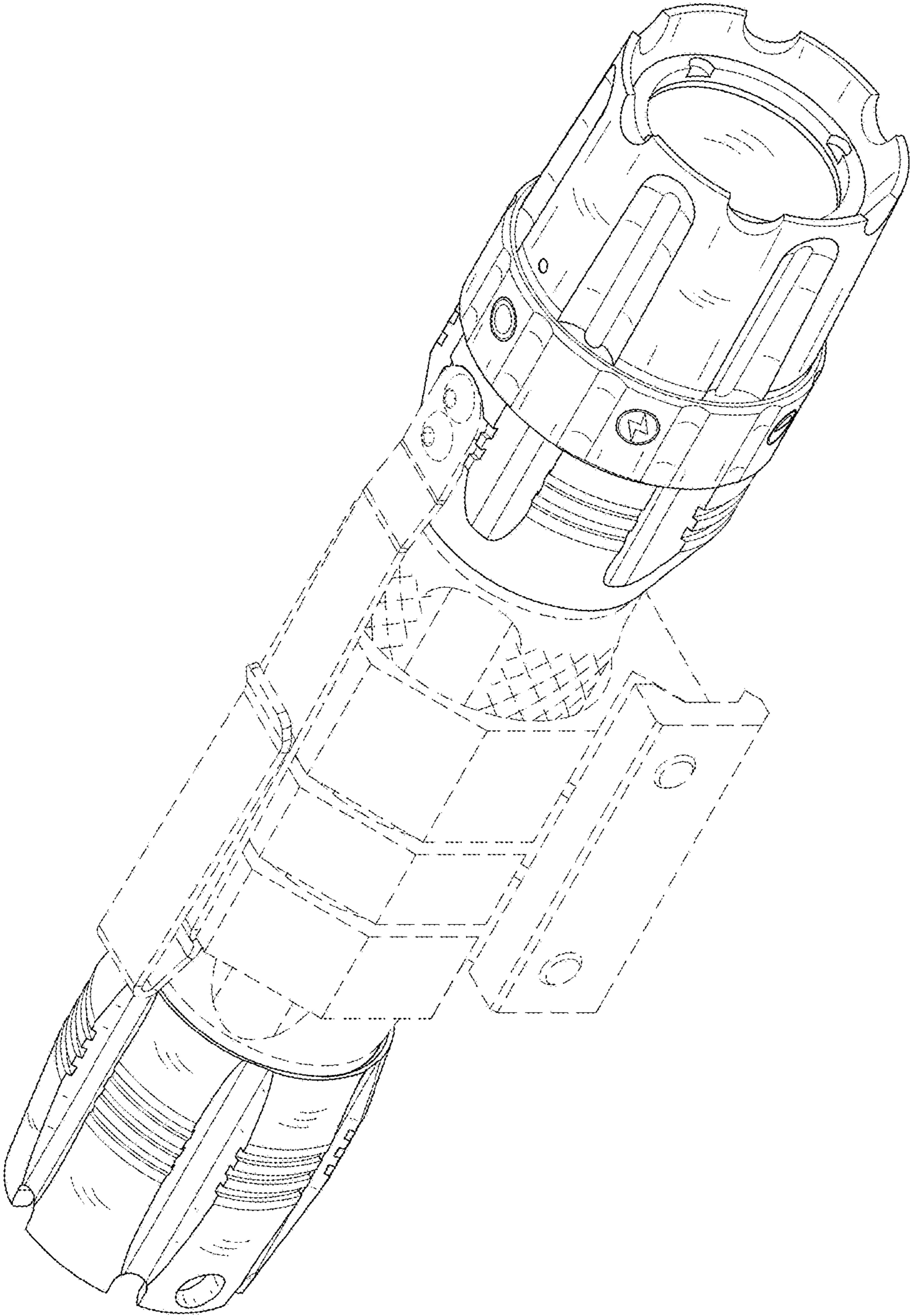


FIG. 8