



US00D804695S

(12) **United States Design Patent**
Windom et al.

(10) **Patent No.:** **US D804,695 S**

(45) **Date of Patent:** **** Dec. 5, 2017**

(54) **HEADLAMP**

(71) Applicant: **Coast Cutlery Co.**, Portland, OR (US)

(72) Inventors: **Gregory David Windom**, Portland, OR (US); **David Lewin**, Portland, OR (US)

(73) Assignee: **Coast Cutlery Co.**, Portland, OR (US)

(**) Term: **15 Years**

(21) Appl. No.: **29/547,895**

(22) Filed: **Dec. 8, 2015**

(51) **LOC (10) Cl.** **26-02**

(52) **U.S. Cl.**
USPC **D26/39**

(58) **Field of Classification Search**
USPC D26/39, 37, 38, 42, 46, 50, 362;
362/103, 105, 108, 106; 2/422
CPC A42B 3/044; A42B 3/04; F21L 15/14;
F21L 11/00; B63C 9/20
See application file for complete search history.

(56) **References Cited**

U.S. PATENT DOCUMENTS

4,298,913	A *	11/1981	Lozar	A42B 3/044
					362/103
D477,680	S *	7/2003	Petzl	D26/39
D492,052	S *	6/2004	Schnell	D26/39
D528,678	S *	9/2006	Yen	D26/28
D552,278	S *	10/2007	Spartano	D26/39
D560,008	S *	1/2008	Poon	D26/39
D569,023	S *	5/2008	Lee	D26/60
D577,842	S *	9/2008	Kumthampinij	D26/39
D578,691	S *	10/2008	Lau	D26/39
D581,567	S *	11/2008	Crawford	D26/38
D592,781	S *	5/2009	Petzl	D26/39
7,568,812	B1 *	8/2009	Kumthampinij	F21L 4/04
					362/105
D607,132	S *	12/2009	Ma	D26/60
D615,226	S *	5/2010	Levine	D26/44
D615,227	S *	5/2010	Hine	D26/46

D615,678 S * 5/2010 DeBrunner D26/39
7,810,946 B2 * 10/2010 Jarzac F21L 4/027
362/190
D629,131 S * 12/2010 Seal D26/60

(Continued)

FOREIGN PATENT DOCUMENTS

EM 003301357-0001 * 8/2016

OTHER PUBLICATIONS

NPL #1: All Purpose LED Headlamp, SouthBend posted on amazon.com, posting date not given, customer verified purchase: Jan. 23, 2015 © 1996-2016 Amazon.com, [online], [site visited Oct. 6, 2016]. <URL:https://www.amazon.com/South-Bend-All-Purpose-Headlamp/dp/B00GI9WK5U/ref=sr_1_1?ie=UTF8&qid=1475787705&sr=8-1&keywords=south+bend+all+purpose+LED+headlamp.*

(Continued)

Primary Examiner — Lakiya G Rogers
Assistant Examiner — Altaira J Swangin
(74) *Attorney, Agent, or Firm* — Schwabe Williamson & Wyatt, P.C.

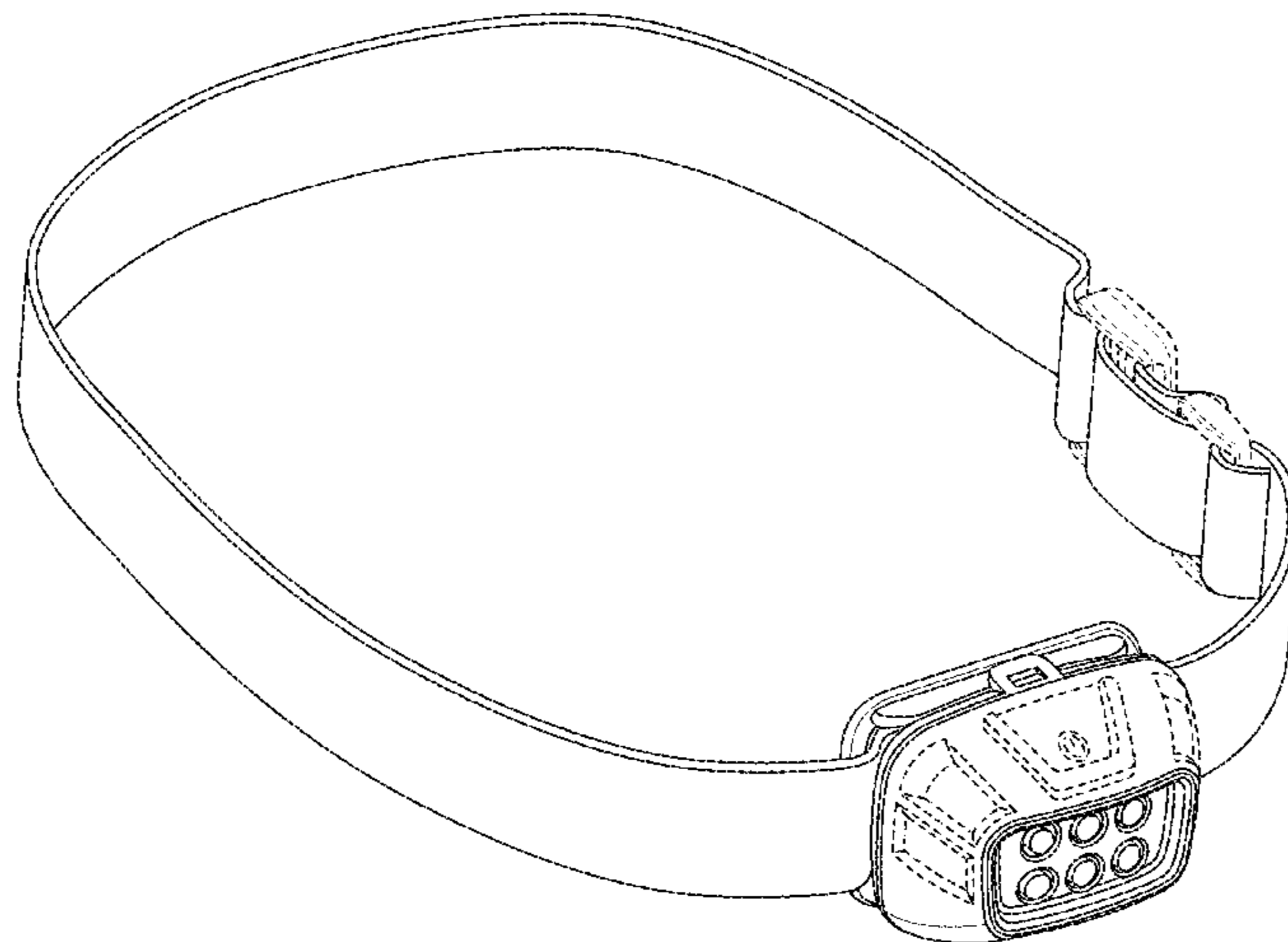
(57) **CLAIM**

We claim the ornamental design for a headlamp, as shown and described.

DESCRIPTION

FIG. 1 is a perspective view of a headlamp, showing our new design;
FIG. 2 is a front view thereof;
FIG. 3 is a back view thereof;
FIG. 4 is a right view thereof;
FIG. 5 is a left view thereof;
FIG. 6 is a top view thereof; and,
FIG. 7 is a bottom view thereof.
The dashed lines are included for illustrating unclaimed portions of the article, and form no part of the claimed design.

1 Claim, 5 Drawing Sheets



(56)

References Cited

U.S. PATENT DOCUMENTS

D632,816 S * 2/2011 Lee D26/48
 D636,509 S * 4/2011 Killion D26/46
 D636,510 S * 4/2011 Killion D26/46
 7,926,967 B2 * 4/2011 Spartano F21V 14/065
 362/103
 D642,714 S * 8/2011 Chuah D26/60
 D651,732 S * 1/2012 Hopkins D26/39
 D658,323 S * 4/2012 Freschl D26/39
 8,297,779 B2 * 10/2012 Martin H01M 2/1055
 362/194
 D696,803 S * 12/2013 Kingston D26/39
 D703,851 S * 4/2014 Gebhard D26/44
 D707,867 S * 6/2014 Kotsis D26/39
 D715,473 S * 10/2014 Killion D26/46
 D723,201 S * 2/2015 Windom D26/39
 D734,521 S * 7/2015 Gebhard D26/63
 D734,887 S * 7/2015 Gebhard D26/63
 9,101,190 B2 * 8/2015 Noble F21V 33/0084
 D742,050 S * 10/2015 Inskeep D26/39
 D742,051 S * 10/2015 Abernethy D26/39
 D743,596 S * 11/2015 Ormsbee D26/39
 D743,597 S * 11/2015 Abernethy D26/39
 9,194,548 B2 * 11/2015 Janice F21L 4/02
 D747,021 S * 1/2016 Hunnewell D26/39
 D758,630 S * 6/2016 Li D26/39
 D768,899 S * 10/2016 Gebhard D26/63
 9,605,843 B2 * 3/2017 Gebhard F21V 29/02
 D783,873 S * 4/2017 Wallach D26/51
 D788,209 S * 5/2017 Greene D16/300

D788,337 S * 5/2017 Koshiba D26/39
 9,723,887 B2 * 8/2017 Kim A42B 3/0446
 9,726,356 B2 * 8/2017 Ormsbee F21V 21/084
 9,739,440 B1 * 8/2017 Deyaf F21S 48/1757
 2004/0264177 A1 * 12/2004 Webber F21L 4/00
 362/106
 2006/0067077 A1 * 3/2006 Kumthampinij F21L 4/027
 362/294
 2007/0177376 A1 * 8/2007 Simoni F21L 4/00
 362/157
 2008/0253109 A1 * 10/2008 Canino F21L 13/06
 362/105
 2009/0323317 A1 * 12/2009 Spartano F21V 14/065
 362/105
 2012/0057331 A1 * 3/2012 Janice F21L 4/02
 362/105
 2012/0195026 A1 * 8/2012 Bouffay F21V 21/084
 362/105

OTHER PUBLICATIONS

NPL #2: Princeton Tec Fred Headlamp, backcountry.com, posting date not given, customer review from Apr. 8, 2013 © Backcountry.com, [online], [site visited Oct. 3, 2016]. Available from Internet, <URL:http://www.backcountry.com/princeton-tec-fred-headlamp?skid=PRT0049-BK-ONESIZ&ti=UEExQIENhdDplZWFkbGFtcHMgYW5kIEFjY2Vzc29yaWVz-OjE6OTpiY3NDYXQ3MTEwMDAyODk=.*

* cited by examiner

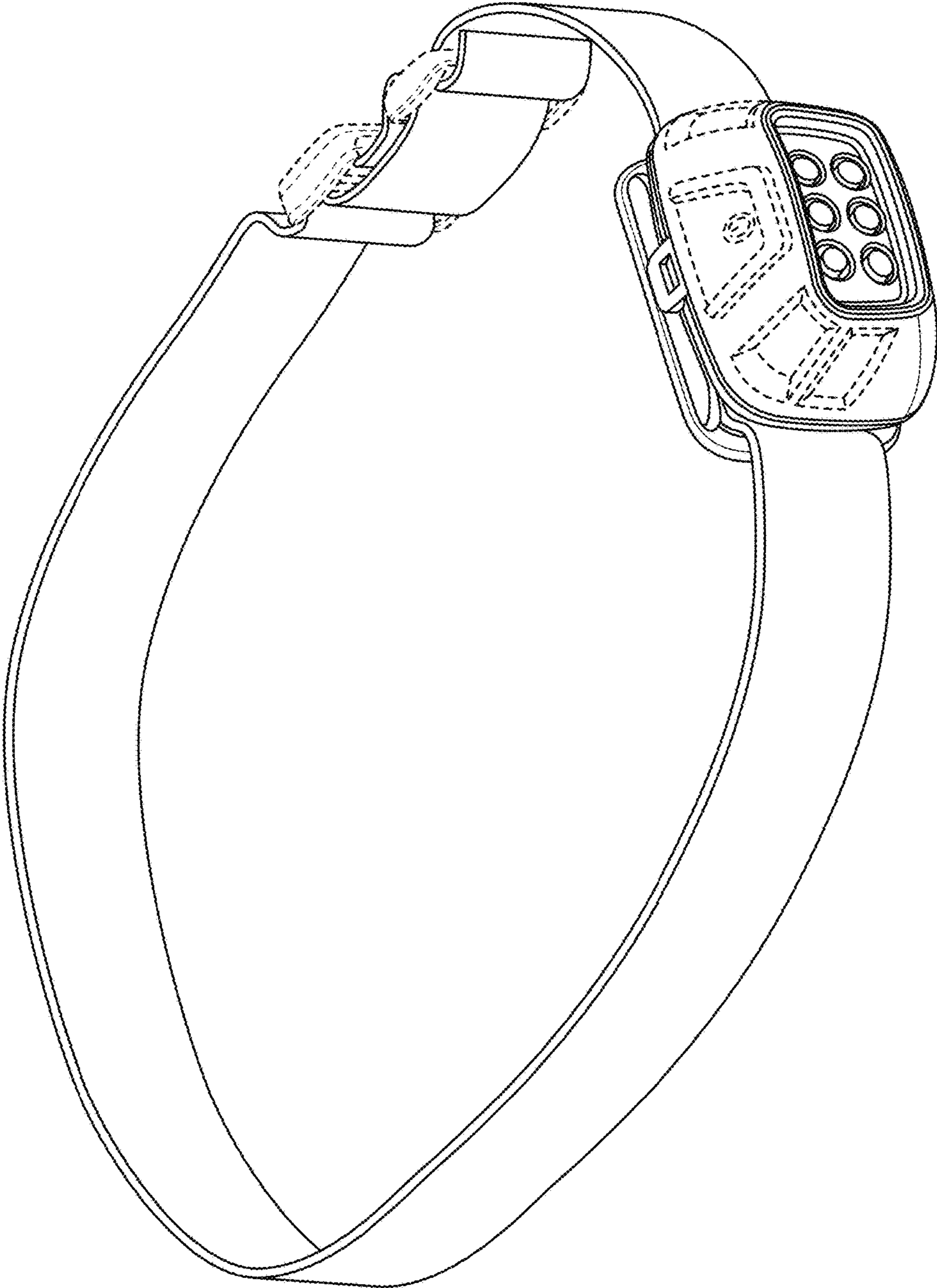


FIG. 1

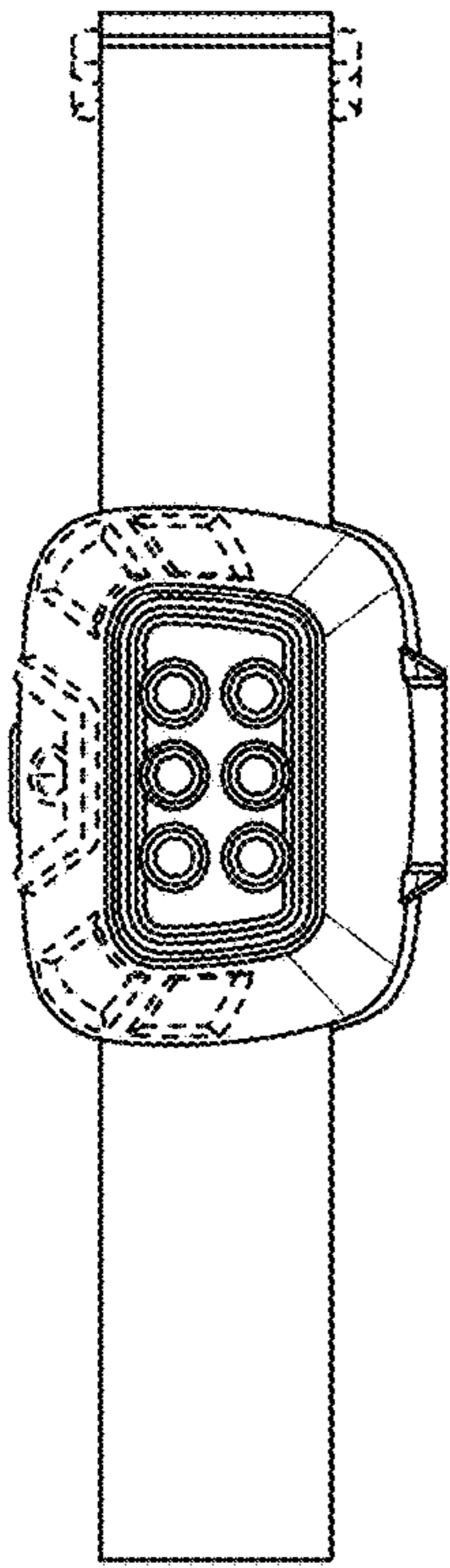


FIG. 2

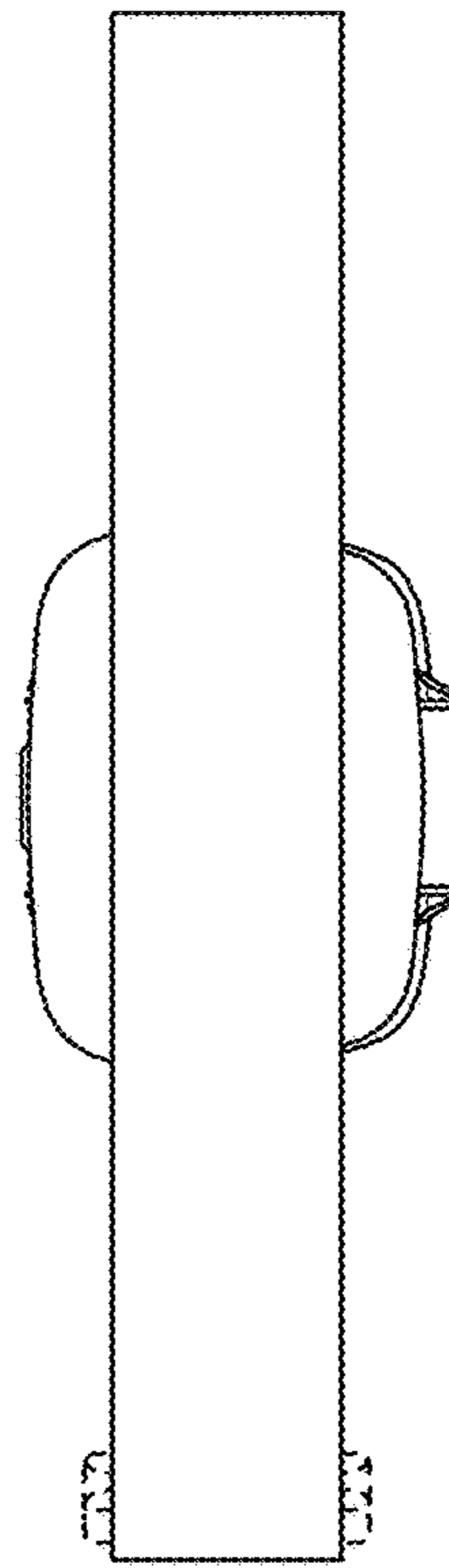


FIG. 3

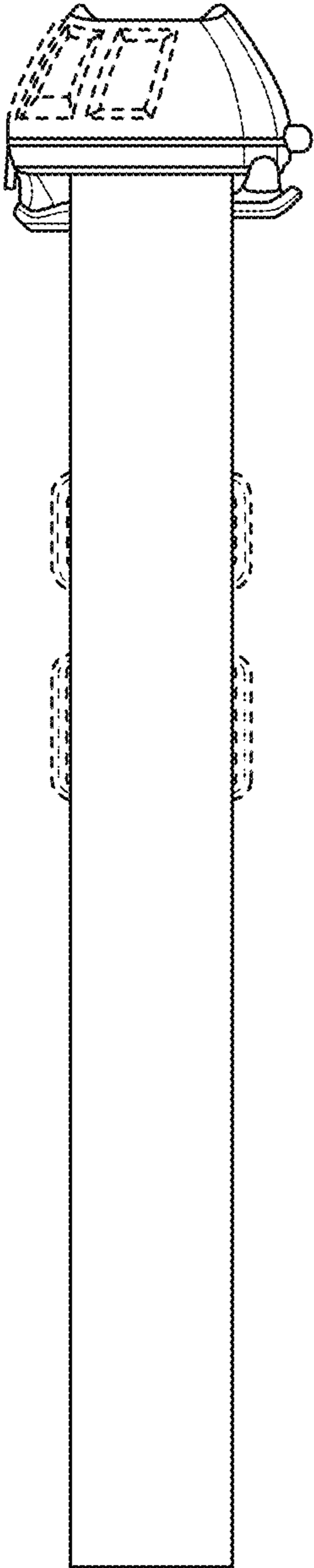


FIG. 4

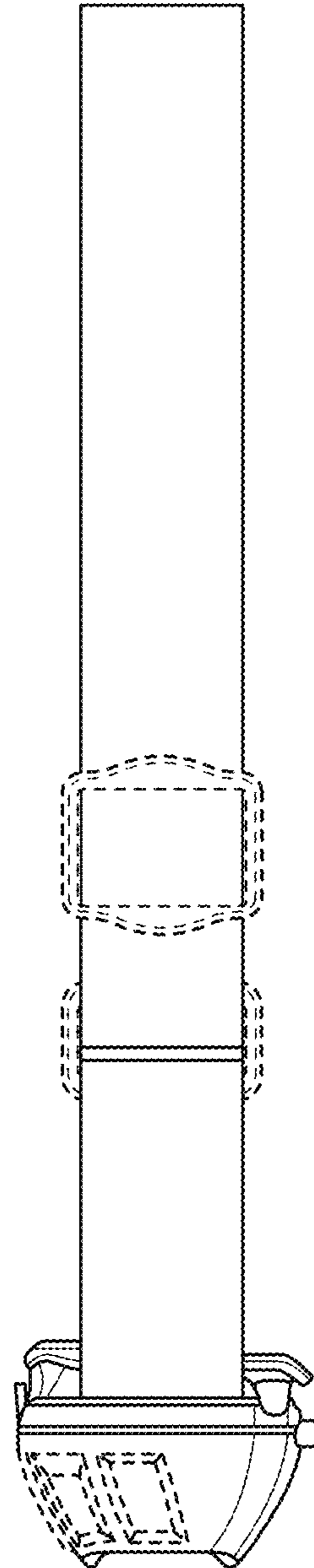


FIG. 5

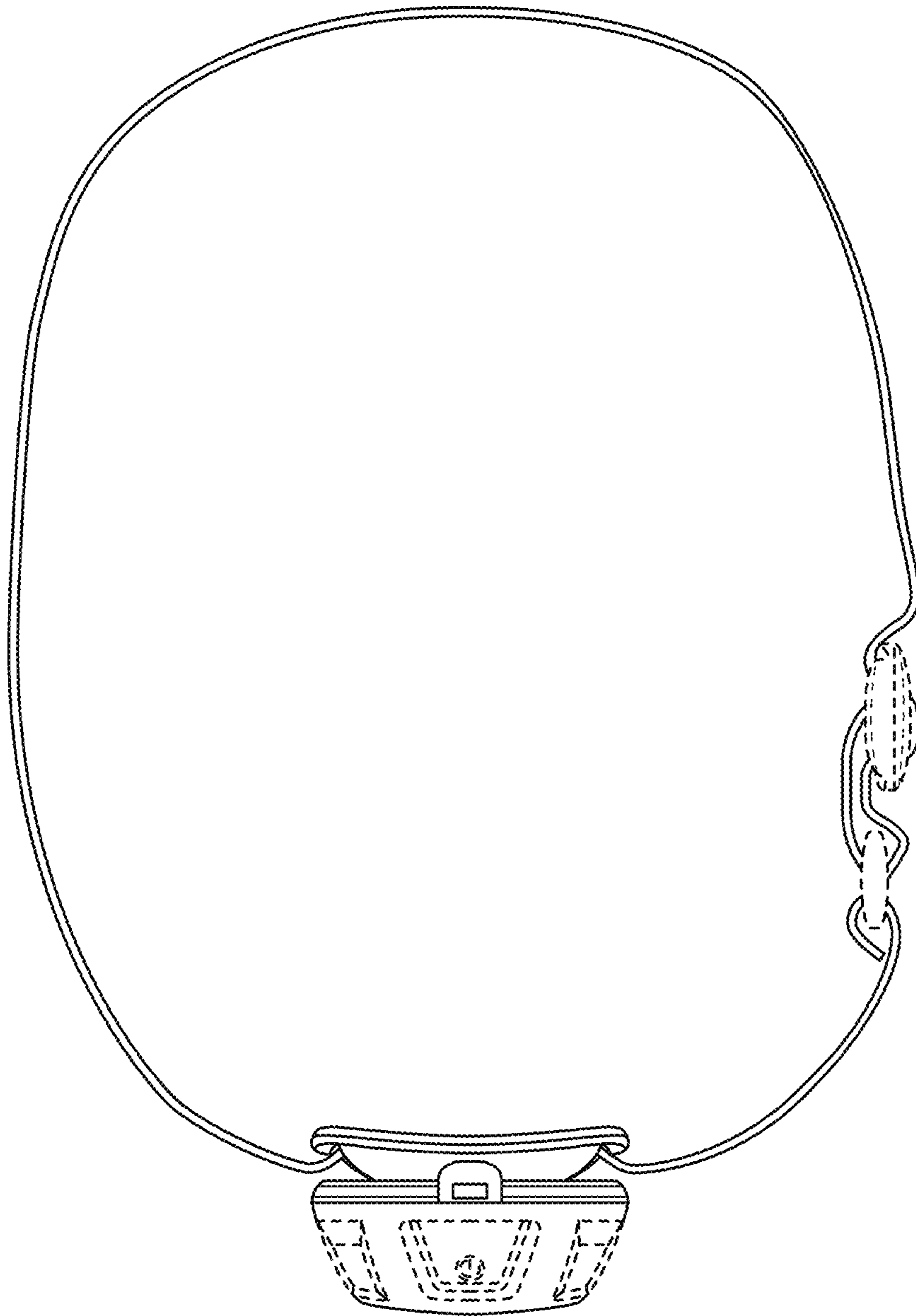


FIG. 6

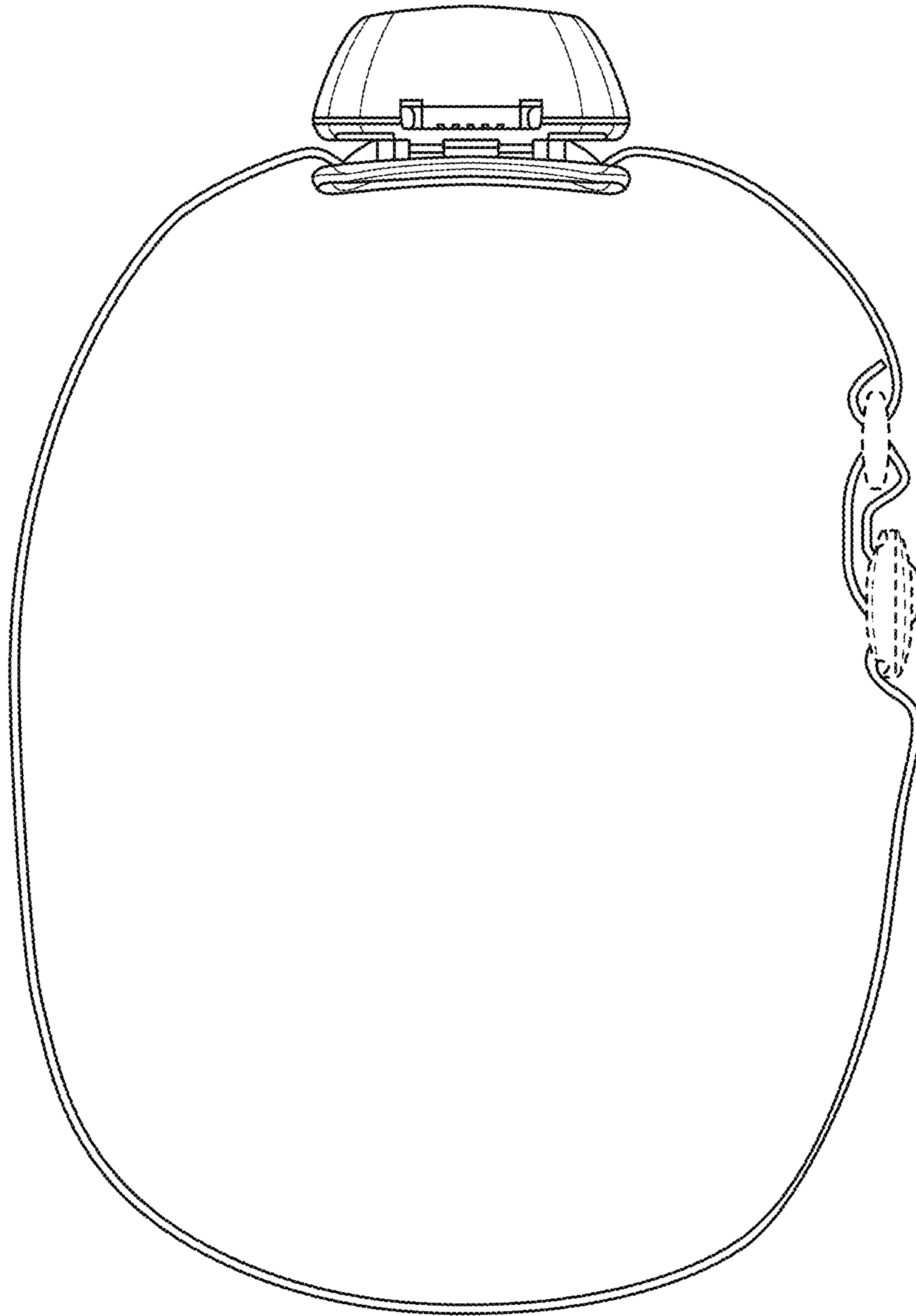


FIG. 7