



US00D804693S

(12) **United States Design Patent** (10) **Patent No.:** **US D804,693 S**
Handt et al. (45) **Date of Patent:** **** Dec. 5, 2017**

(54) **TAILLIGHT FOR A VEHICLE**
(71) Applicant: **Daimler AG**, Stuttgart (DE)
(72) Inventors: **Stefan Handt**, Stuttgart (DE); **Robert Lesnik**, Leonberg (DE); **Frederic Seemann**, Stuttgart (DE)
(73) Assignee: **Daimler AG**, Stuttgart (DE)
(**) Term: **15 Years**
(21) Appl. No.: **29/584,258**
(22) Filed: **Nov. 14, 2016**

D574,524 S * 8/2008 Tomatsu D26/28
D644,772 S 9/2011 Pfeiffer et al.
D651,331 S 12/2011 Pfeiffer et al.
D691,299 S 10/2013 Binder et al.
D761,459 S 7/2016 Binder et al.
D771,289 S 11/2016 Binder et al.
D771,290 S 11/2016 Binder et al.

* cited by examiner

Primary Examiner — Marcus Jackson
(74) *Attorney, Agent, or Firm* — Crowell & Moring LLP

(30) **Foreign Application Priority Data**
Sep. 30, 2016 (WO) DM/092798
(51) **LOC (10) Cl.** **26-06**
(52) **U.S. Cl.**
USPC **D26/28**
(58) **Field of Classification Search**
USPC D26/28–36; 362/80–83, 267–269,
362/459–468, 475–478, 485–487
CPC F21S 48/00; F21S 48/10; F21S 48/115;
F21S 48/1233; F21S 48/1266; F21S
48/1388; F21S 48/2268; F21V 21/04
See application file for complete search history.

(57) **CLAIM**

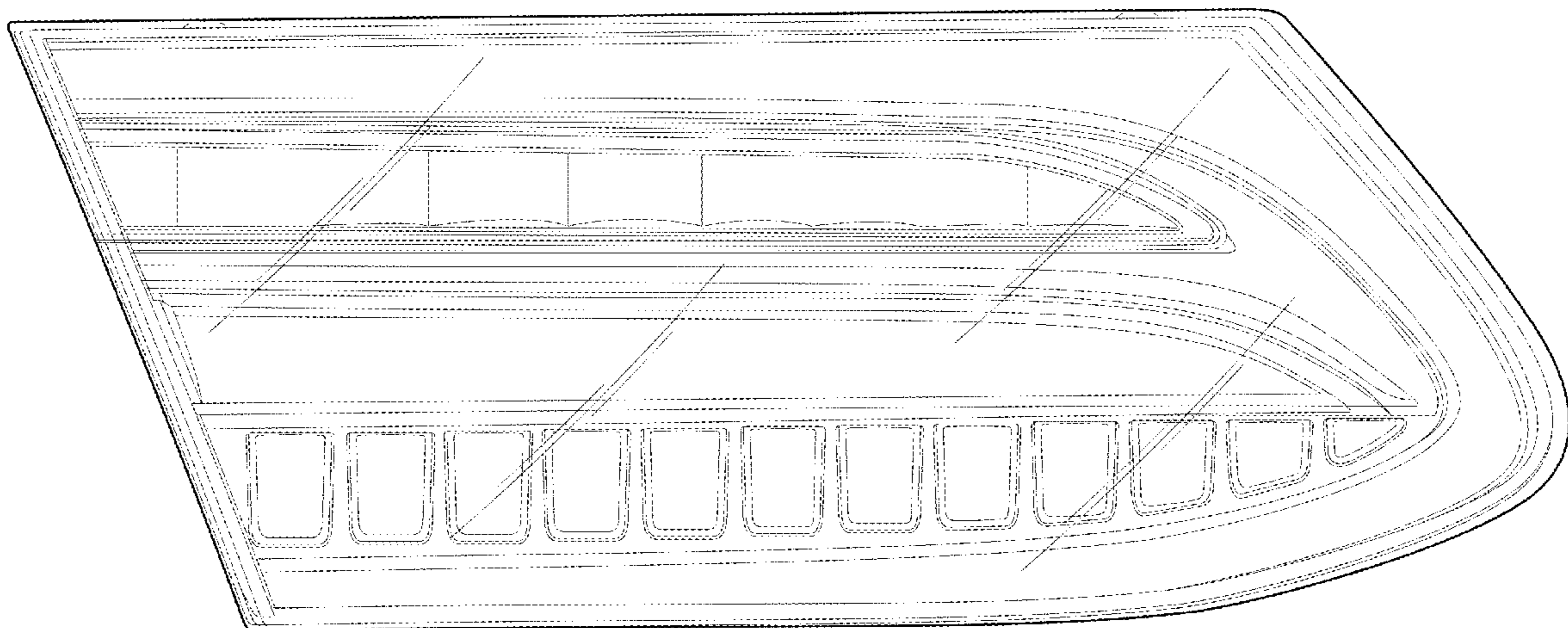
The ornamental design for a taillight for a vehicle, as shown and described.

DESCRIPTION

FIG. 1 is a front elevational view of a first embodiment of a taillight for a vehicle according to the design; FIG. 2 is a left, front perspective view thereof; FIG. 3 is a left side view thereof; and FIG. 4 is a top view thereof. FIG. 5 is a front elevational view of a second embodiment of the taillight for a vehicle, with the taillight of a vehicle for the opposite side of the vehicle being depicted in the first embodiment; FIG. 6 is a right, front perspective view thereof; FIG. 7 is a right side view thereof; and, FIG. 8 is a top view thereof. The broken lines in the drawings illustrate environmental subject matter only and form no part of the claimed design. Also enclosed is a set of photographs of an embodiment of the design.

(56) **References Cited**
U.S. PATENT DOCUMENTS
D549,363 S * 8/2007 Pfeiffer D26/28
D552,769 S * 10/2007 Leclercq D26/28
D553,269 S * 10/2007 Pfeiffer D26/28
D570,015 S * 5/2008 Hsu D26/28

1 Claim, 8 Drawing Sheets



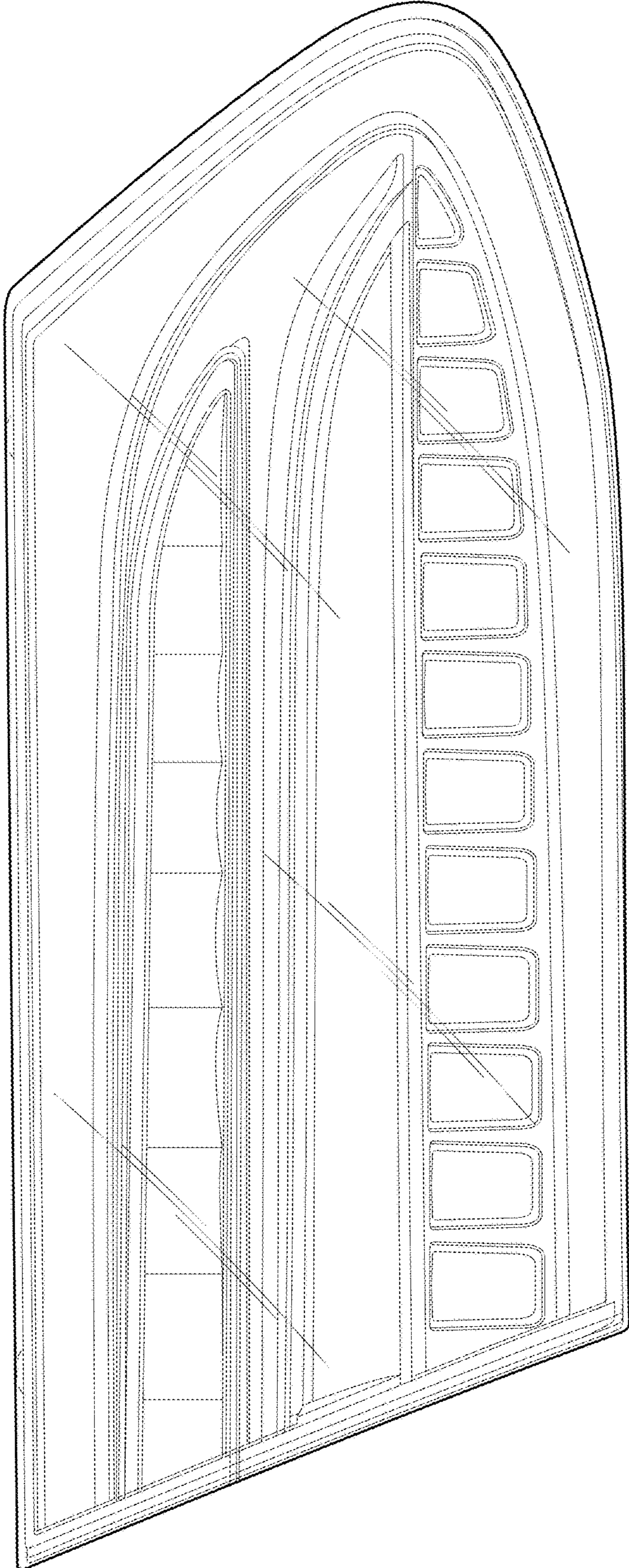


FIG. 1

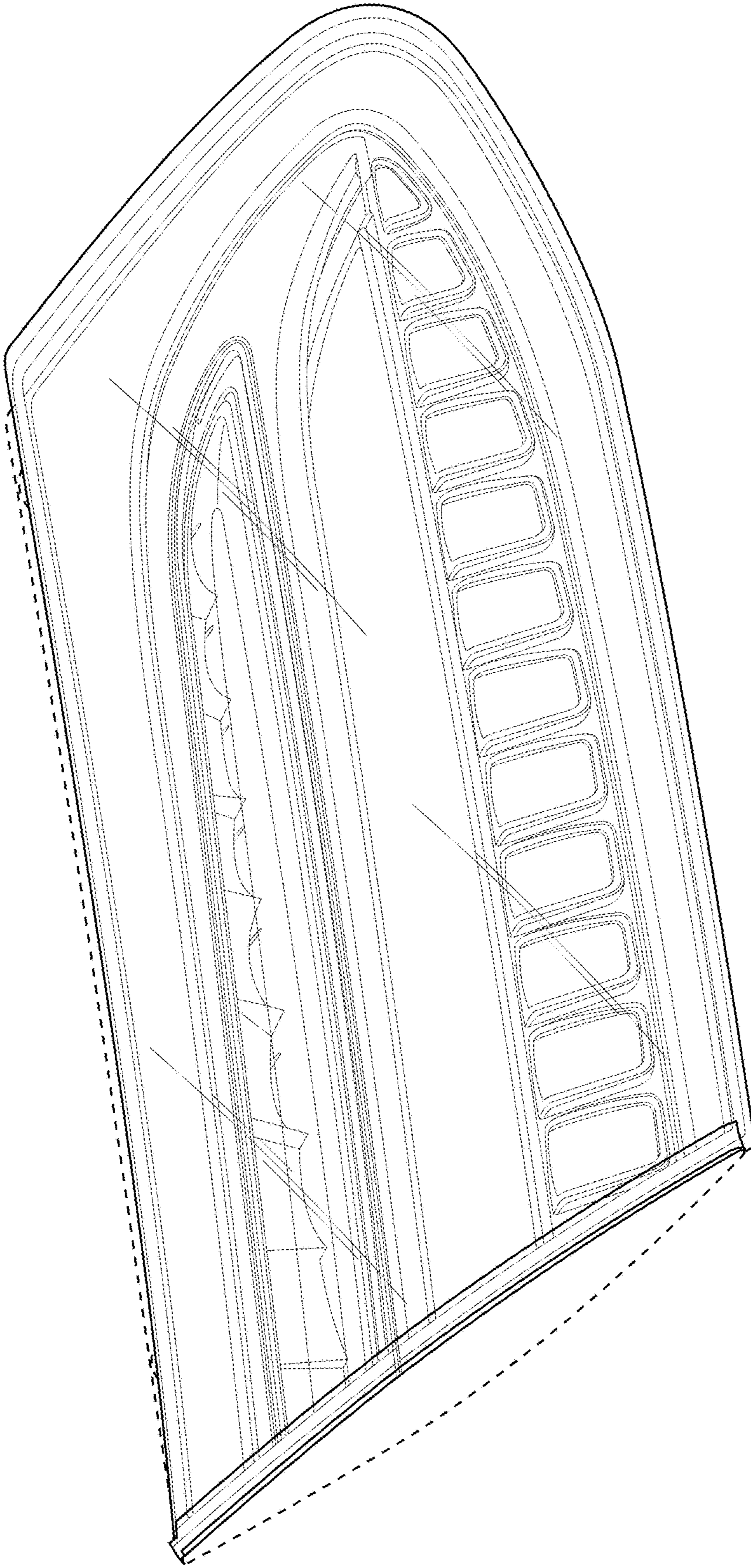


FIG. 2

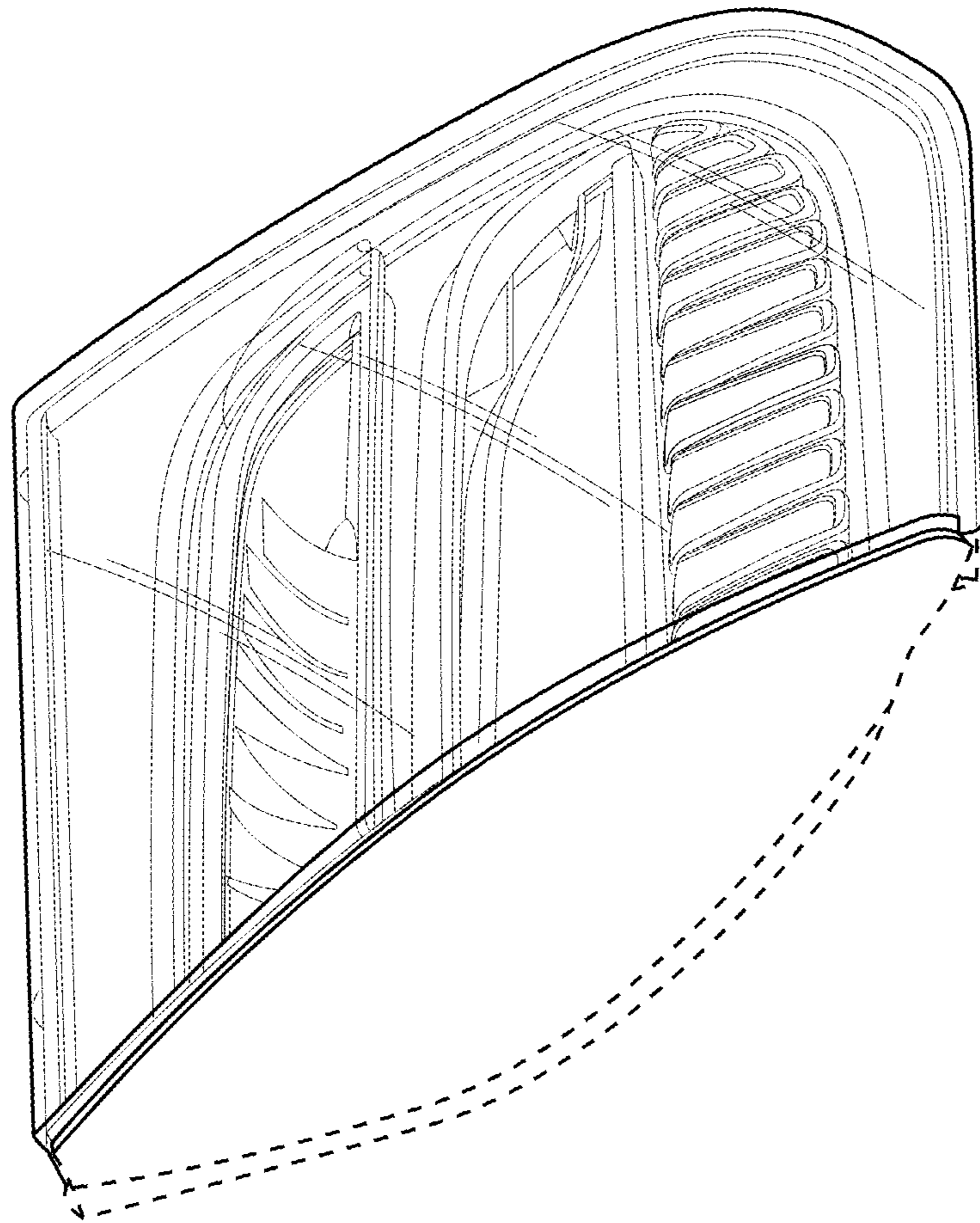


FIG. 3

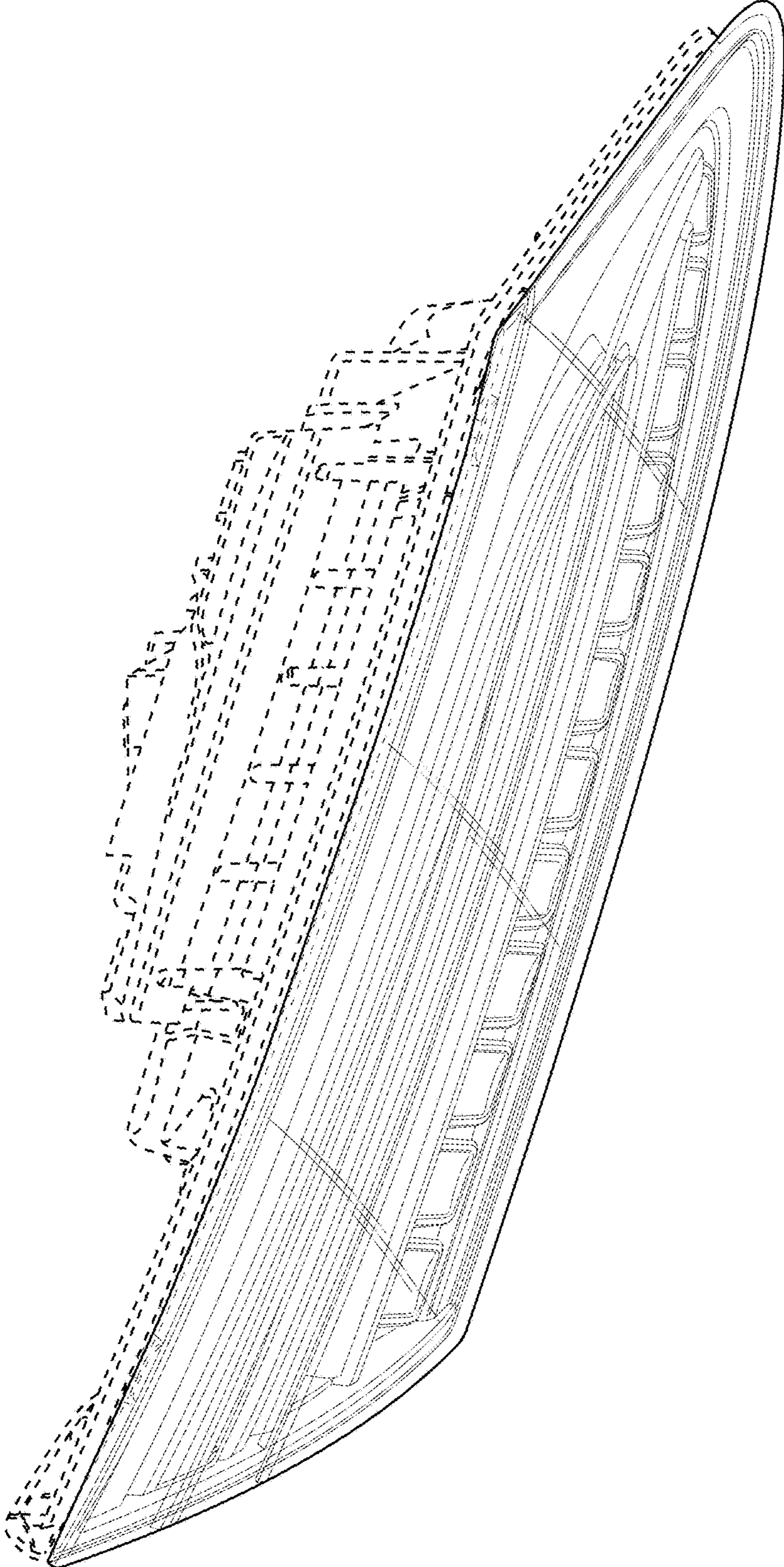


FIG. 4

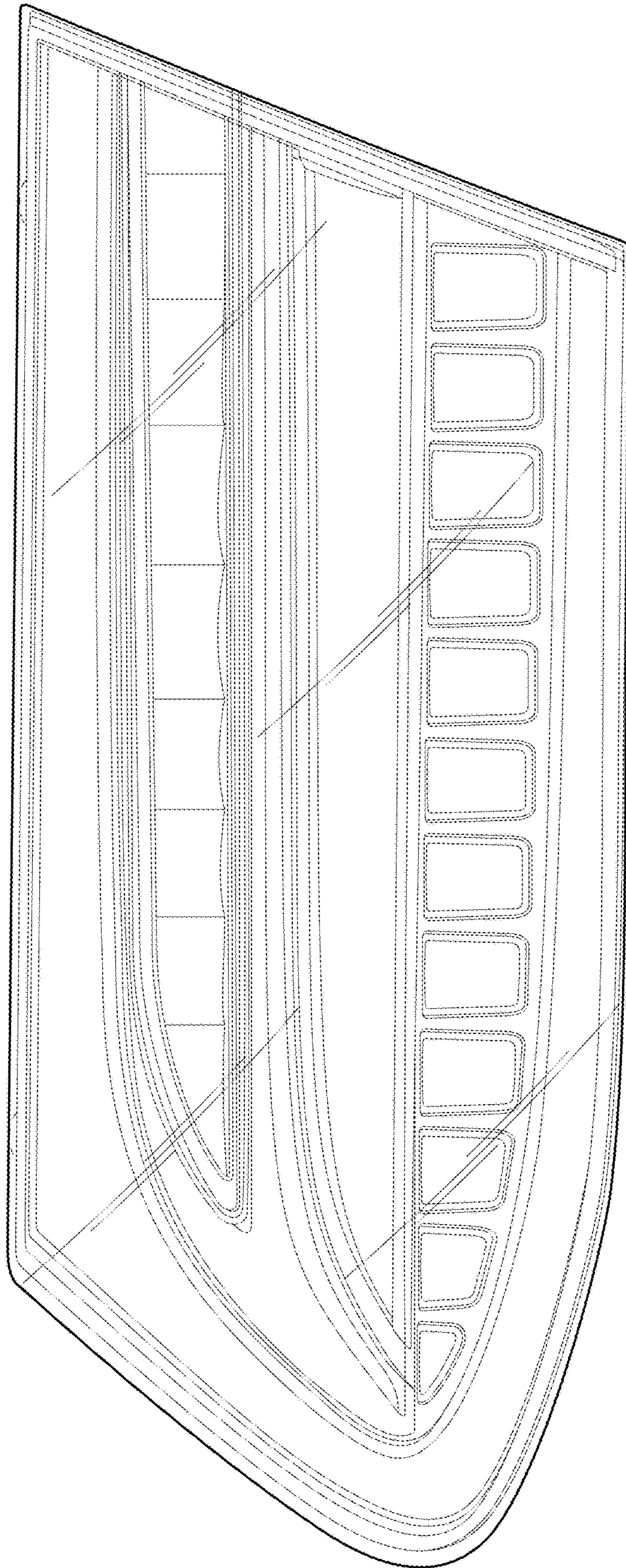


FIG. 5

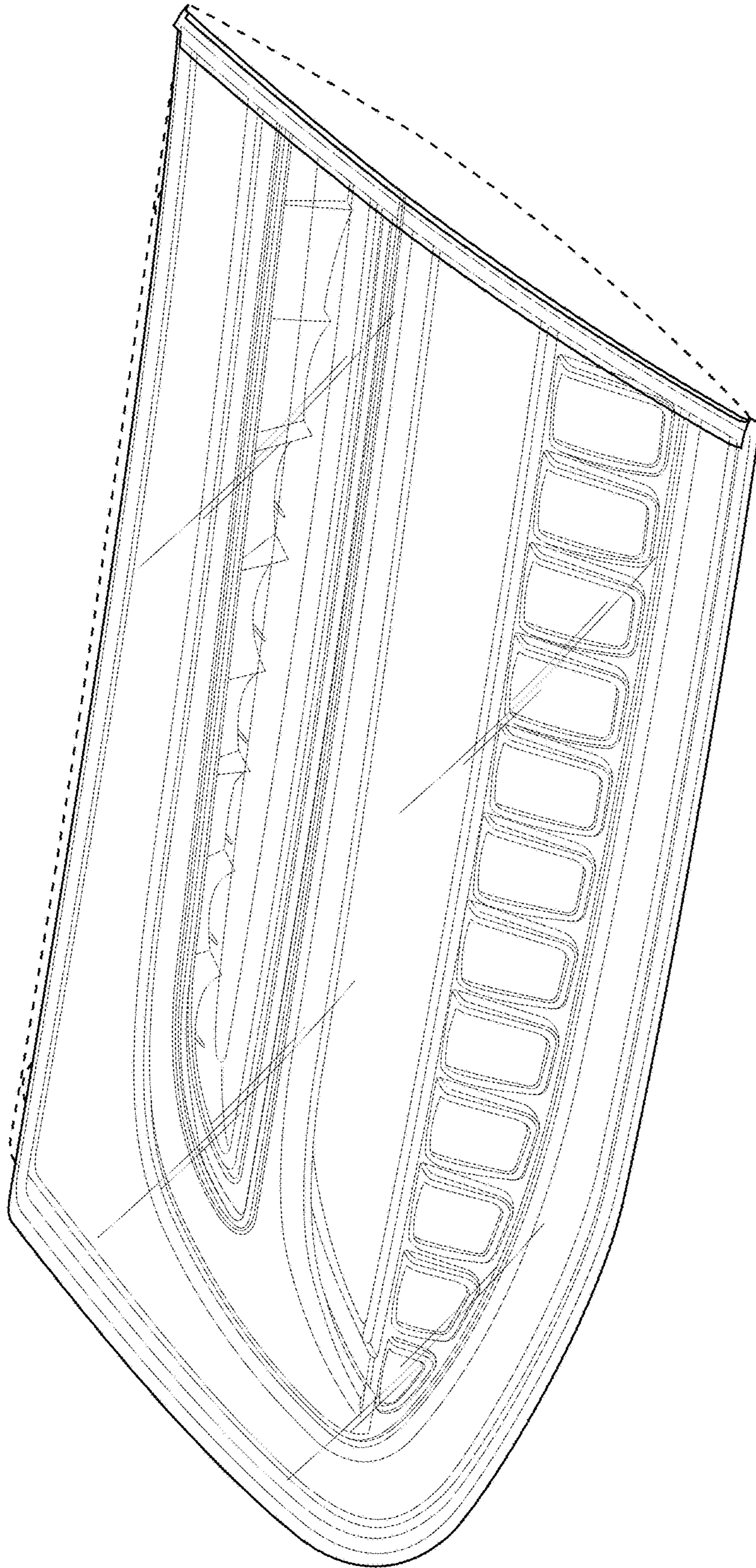


FIG. 6

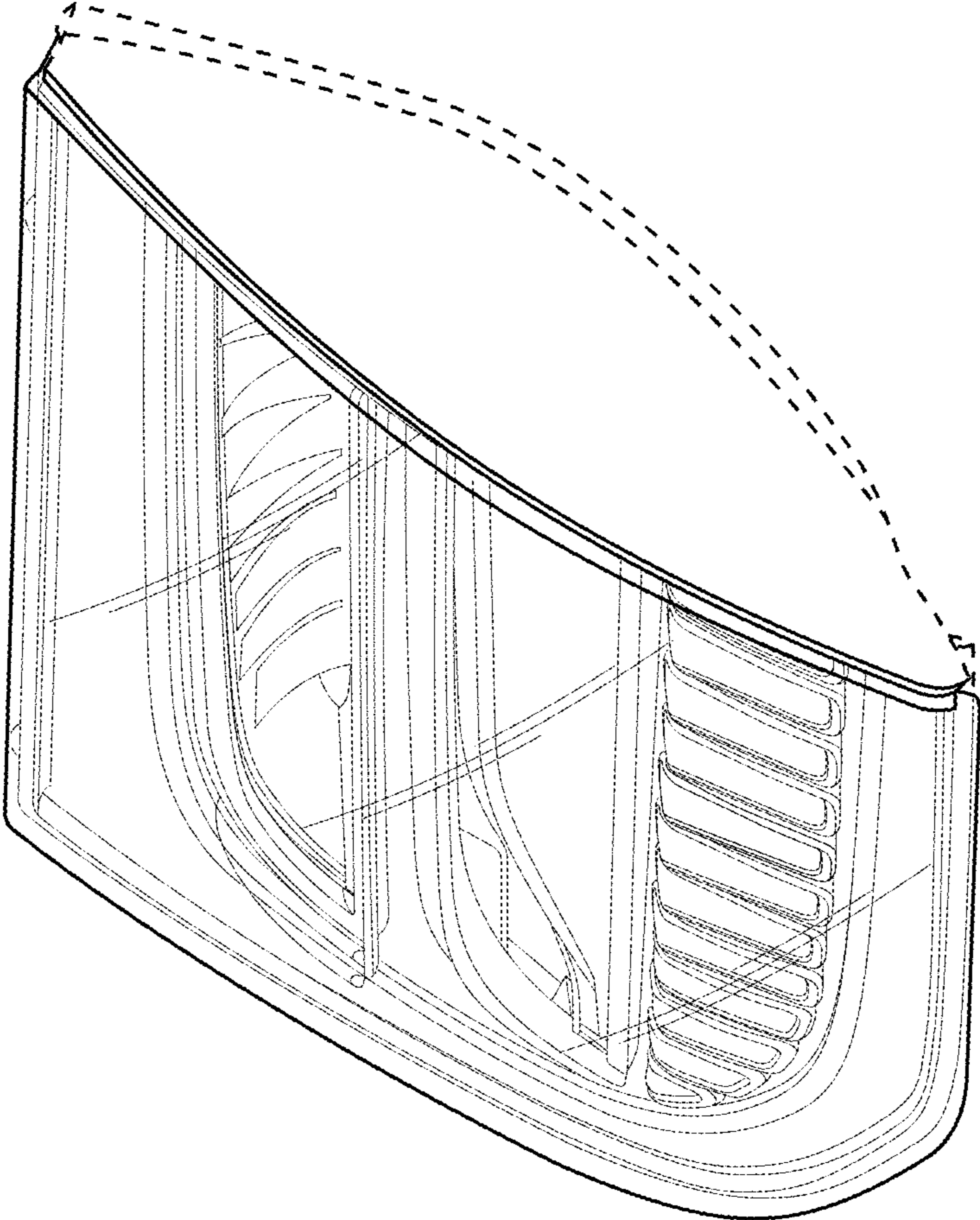


FIG. 7

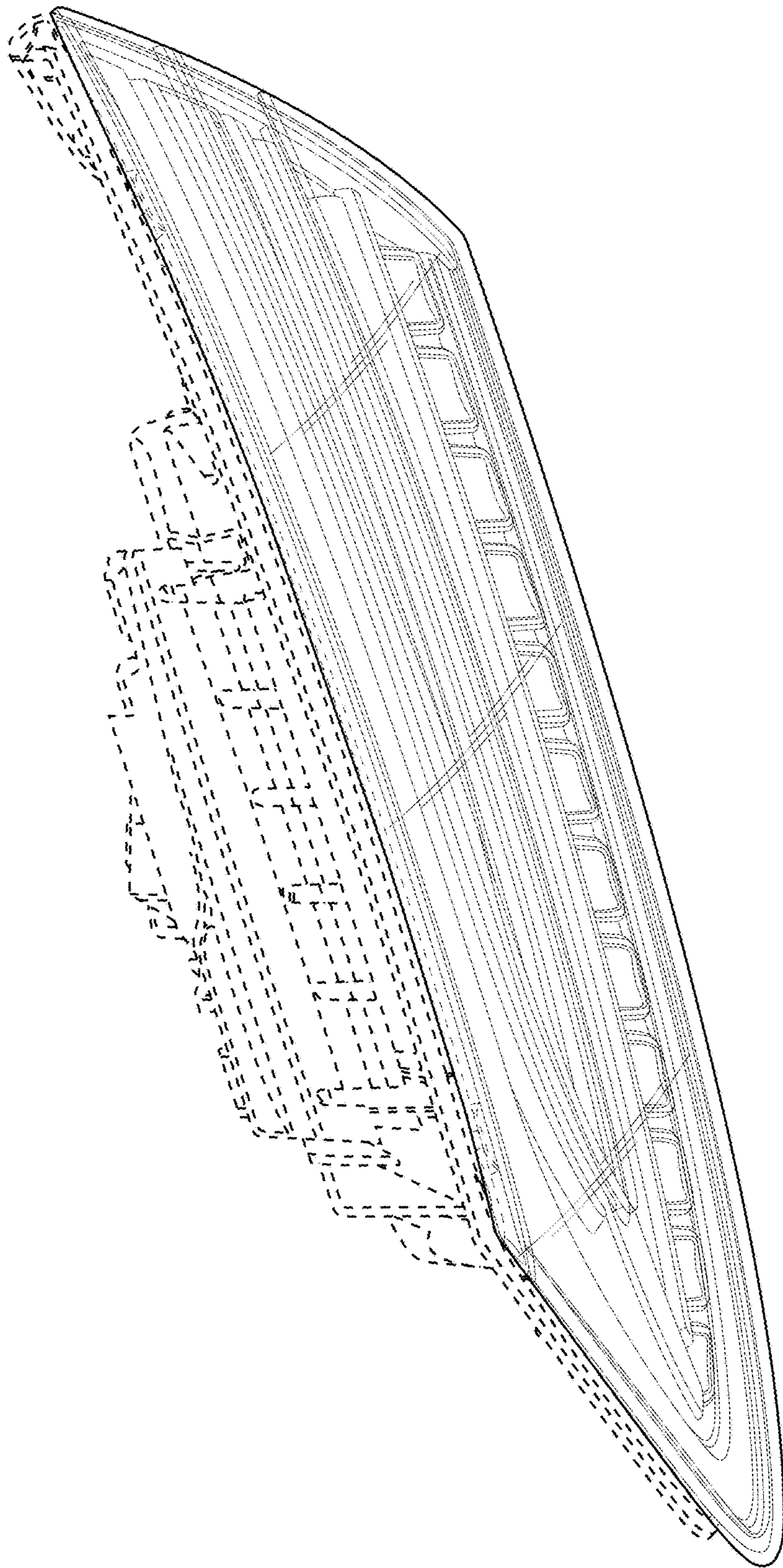


FIG. 8