



US00D804689S

(12) **United States Design Patent**  
**Zhou et al.**

(10) **Patent No.:** **US D804,689 S**  
(45) **Date of Patent:** **\*\* Dec. 5, 2017**

(54) **LIGHT BULB**

(71) Applicant: **MAINHOUSE (XIAMEN) ELECTRONICS CO., LTD.**, Xiamen (CN)

(72) Inventors: **Nanqing Zhou**, Xiamen (CN);  
**Rongkui Wu**, Xiamen (CN)

(73) Assignee: **MAINHOUSE (XIAMEN) ELECTRONICS CO., LTD.**, Xiamen, Fujian (CN)

(\*\*) Term: **15 Years**

(21) Appl. No.: **29/585,746**

(22) Filed: **Nov. 29, 2016**

(51) **LOC (10) Cl.** ..... **26-04**

(52) **U.S. Cl.**  
USPC ..... **D26/2**

(58) **Field of Classification Search**  
USPC ..... D26/1-4; 313/313, 315, 316, 317, 318, 313/493; 315/52, 53, 56, 57, 58  
CPC ..... H01R 5/00; H01R 13/46; H01R 13/514; H01R 31/048; H01R 31/02; H01J 5/00; H01J 5/16; H01J 15/00; H01J 5/48; H01J 5/50; F21V 5/00; F21V 13/00; F21V 29/004

See application file for complete search history.

(56) **References Cited**

U.S. PATENT DOCUMENTS

D410,554 S *	6/1999	Guyton .....	D26/2
D549,360 S *	8/2007	An .....	D26/2
D550,864 S *	9/2007	Hernandez, Jr. ....	D26/2
D655,024 S *	2/2012	deBetak .....	D26/2
D664,682 S *	7/2012	Matsuda .....	D26/2
D716,975 S *	11/2014	Hasuo .....	D26/2
D765,275 S *	8/2016	Ohno .....	D26/2

\* cited by examiner

*Primary Examiner* — Marcus Jackson

(74) *Attorney, Agent, or Firm* — Leong C. Lei

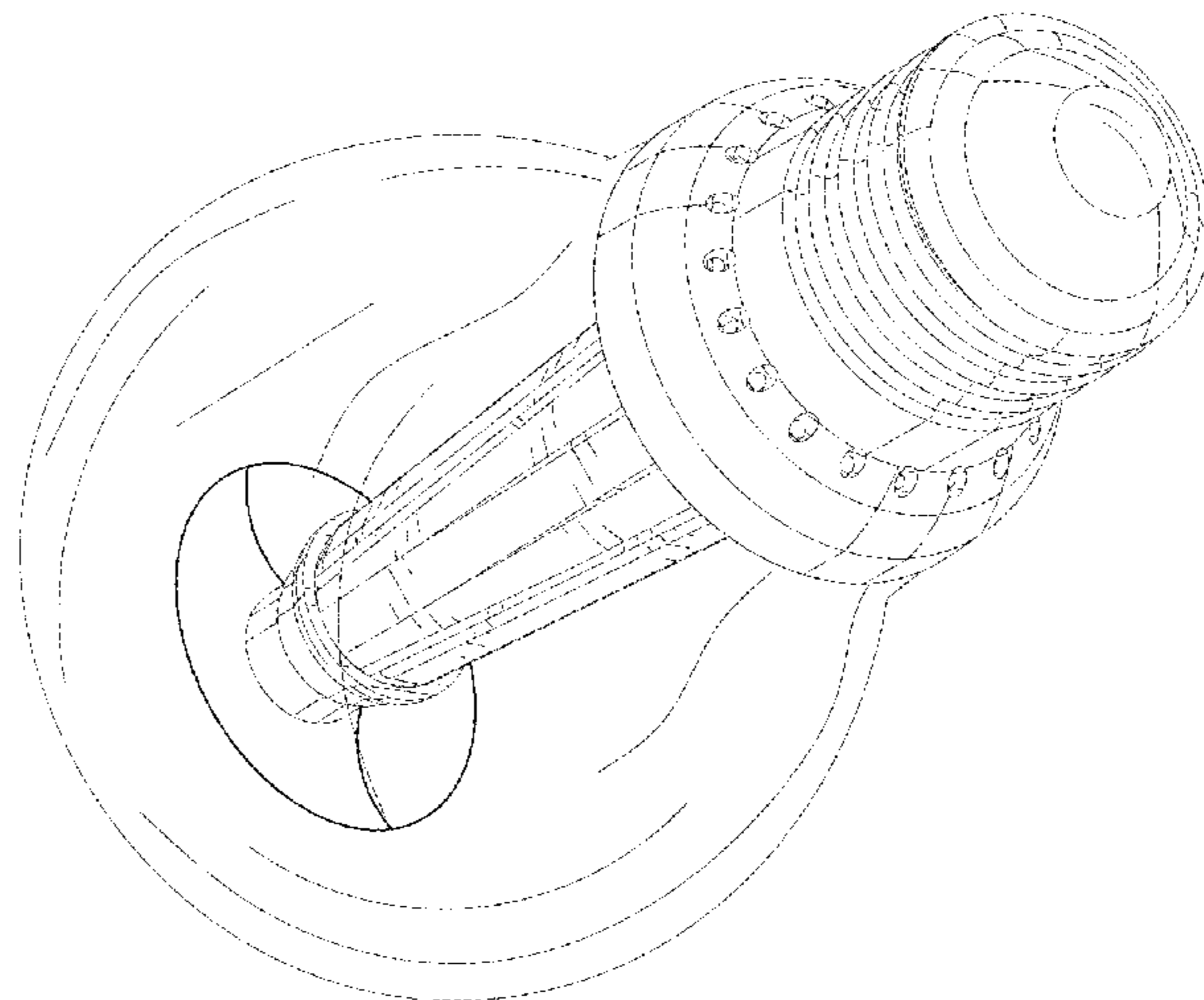
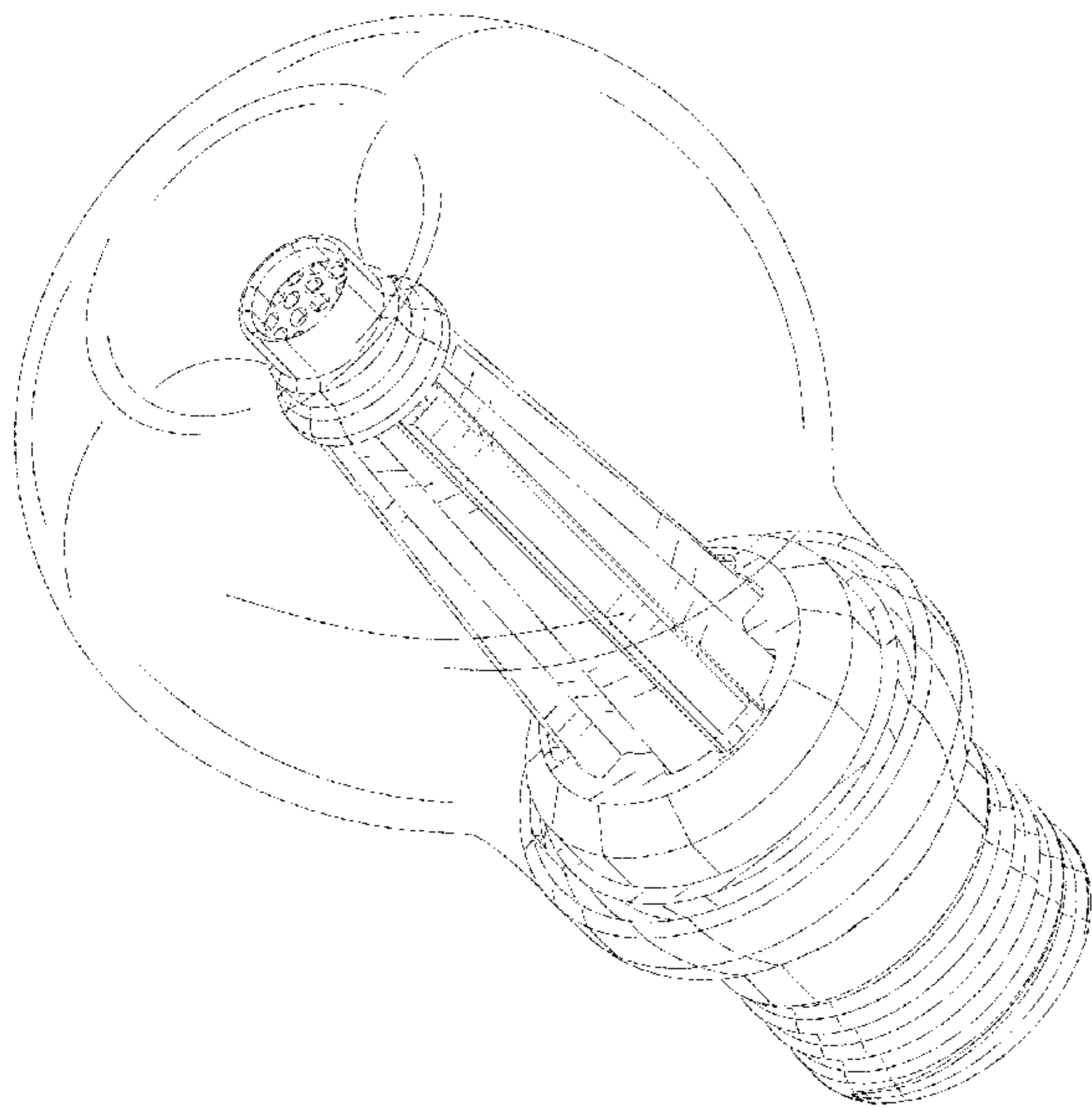
(57) **CLAIM**

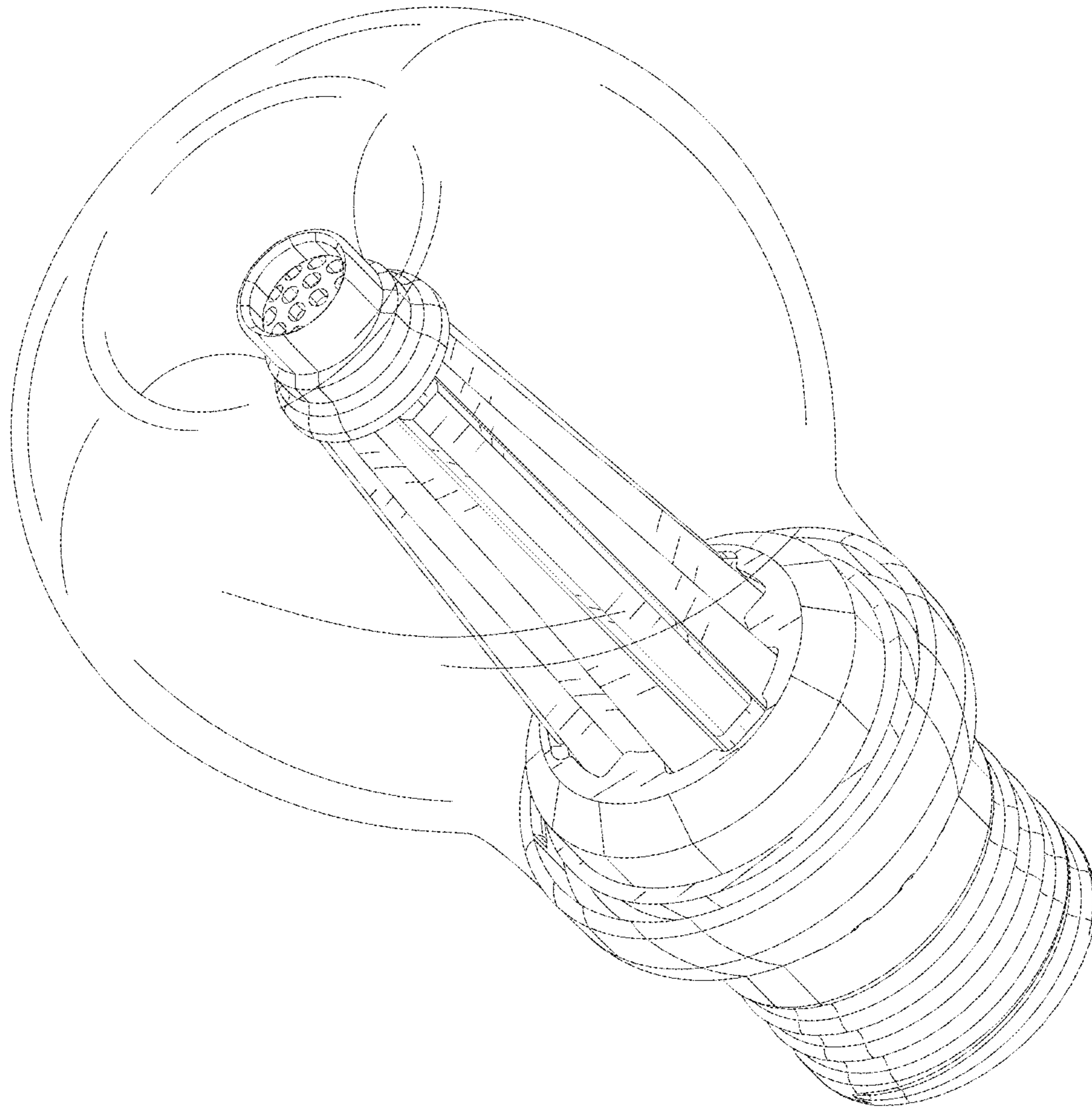
The ornamental design for a light bulb, as shown and described.

**DESCRIPTION**

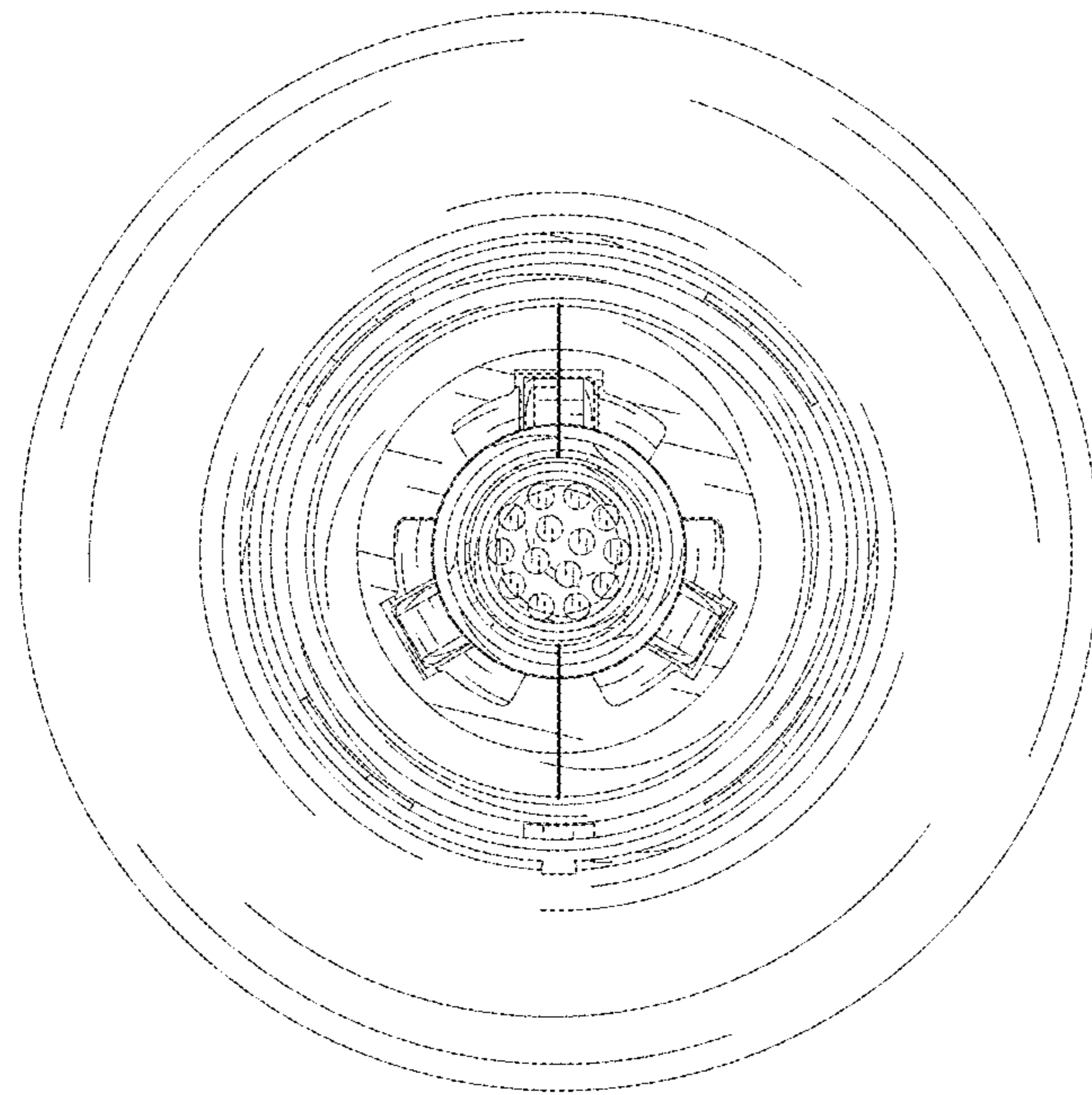
FIG. 1 is a perspective view of light bulb showing my present design;  
FIG. 2 is a front view thereof;  
FIG. 3 is a rear view thereof;  
FIG. 4 is a left side view thereof;  
FIG. 5 is a right side view thereof;  
FIG. 6 is a top view thereof;  
FIG. 7 is a bottom view thereof; and,  
FIG. 8 is a perspective view of a light bulb, showing my present design in other angle;

**1 Claim, 6 Drawing Sheets**

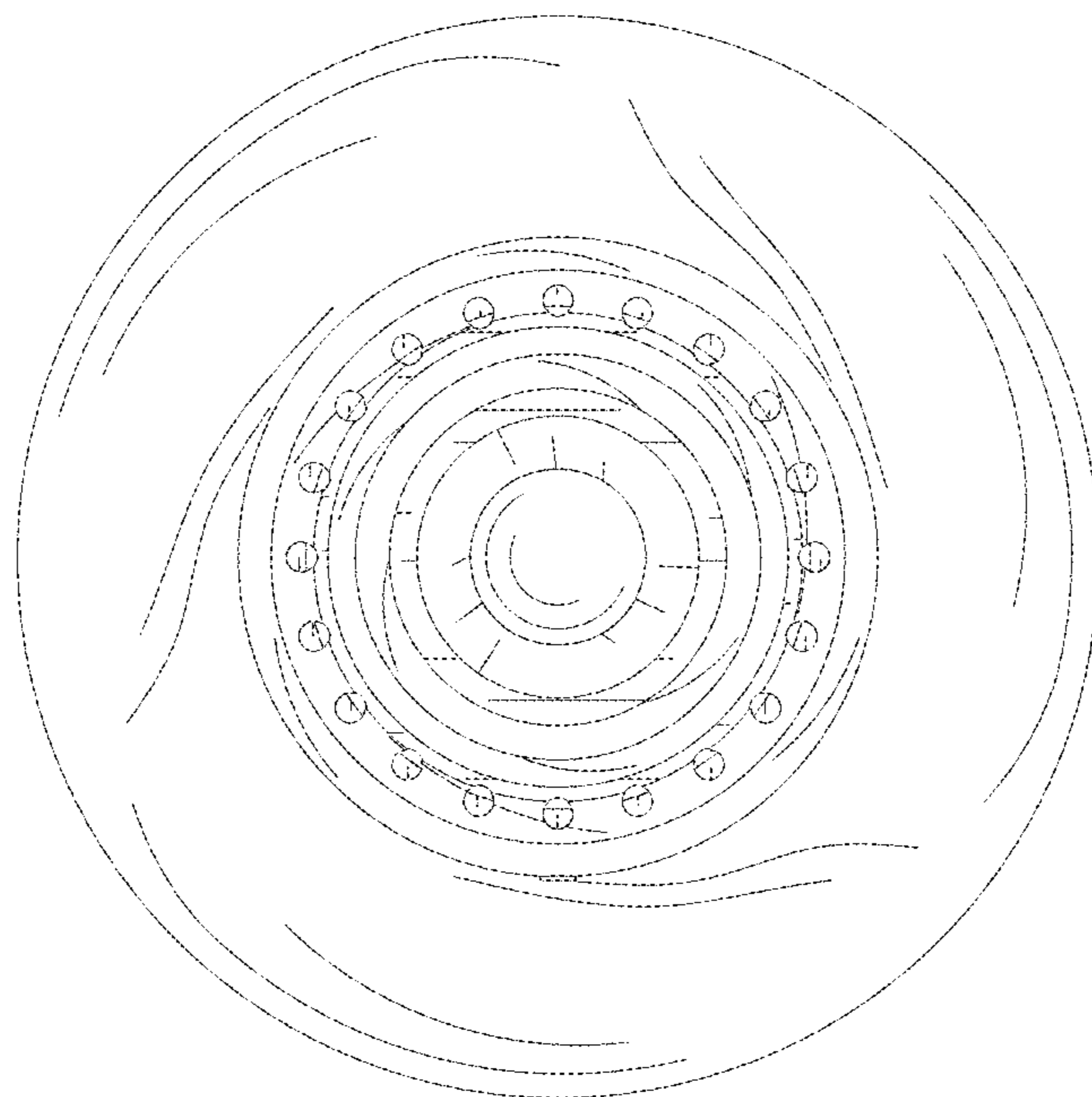




**FIG. 1**



**FIG. 2**



**FIG. 3**

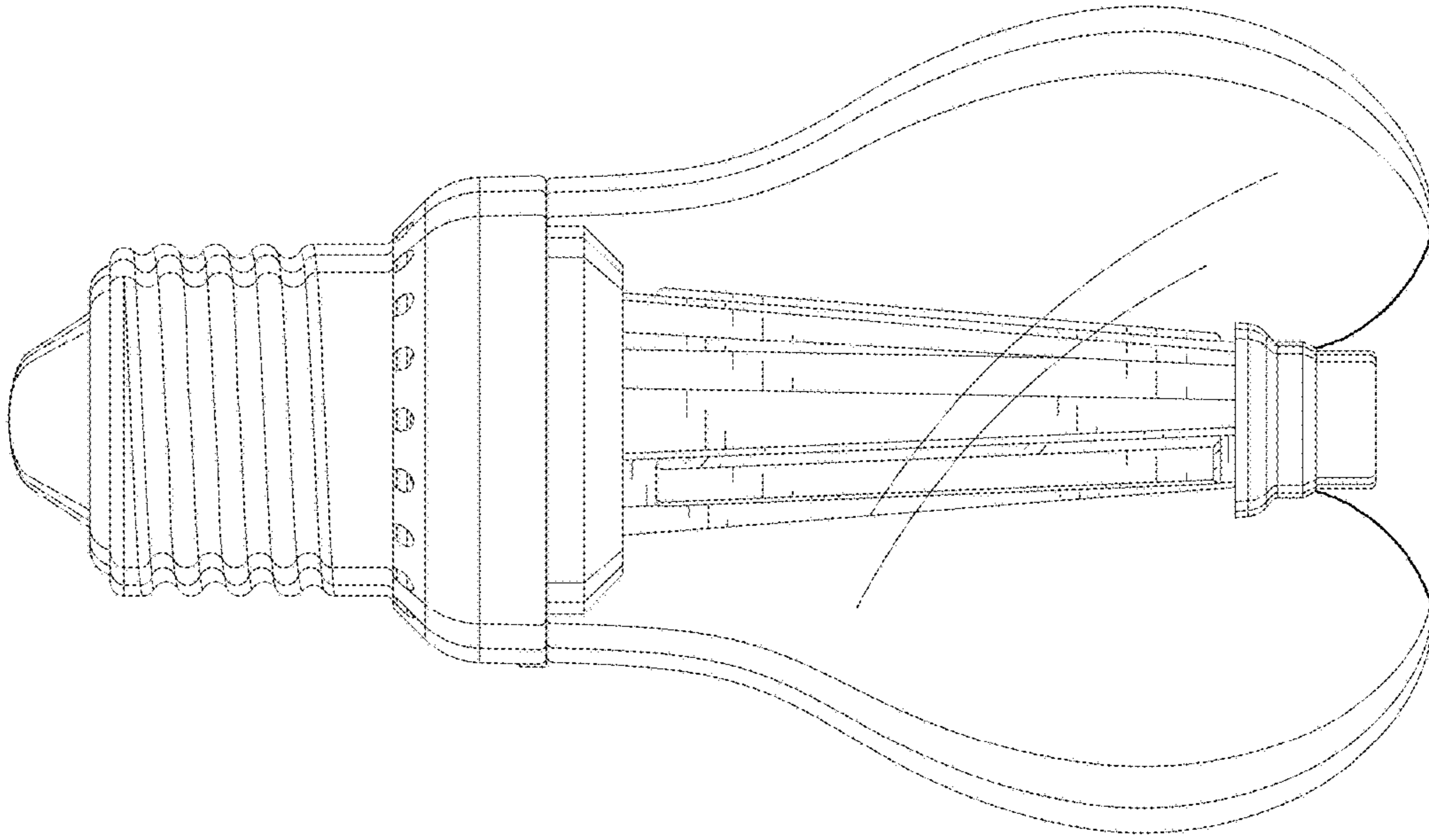


FIG. 4

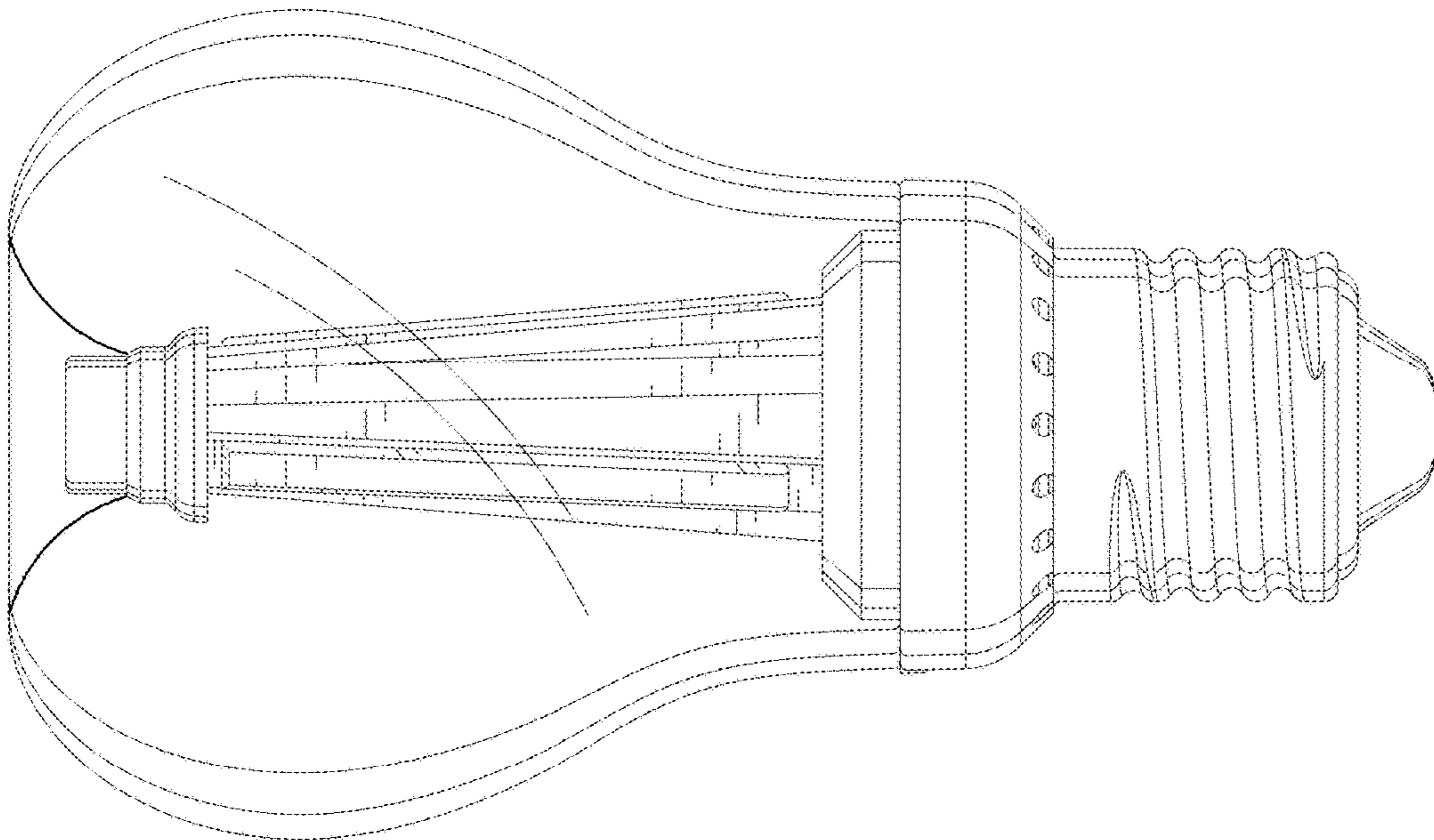
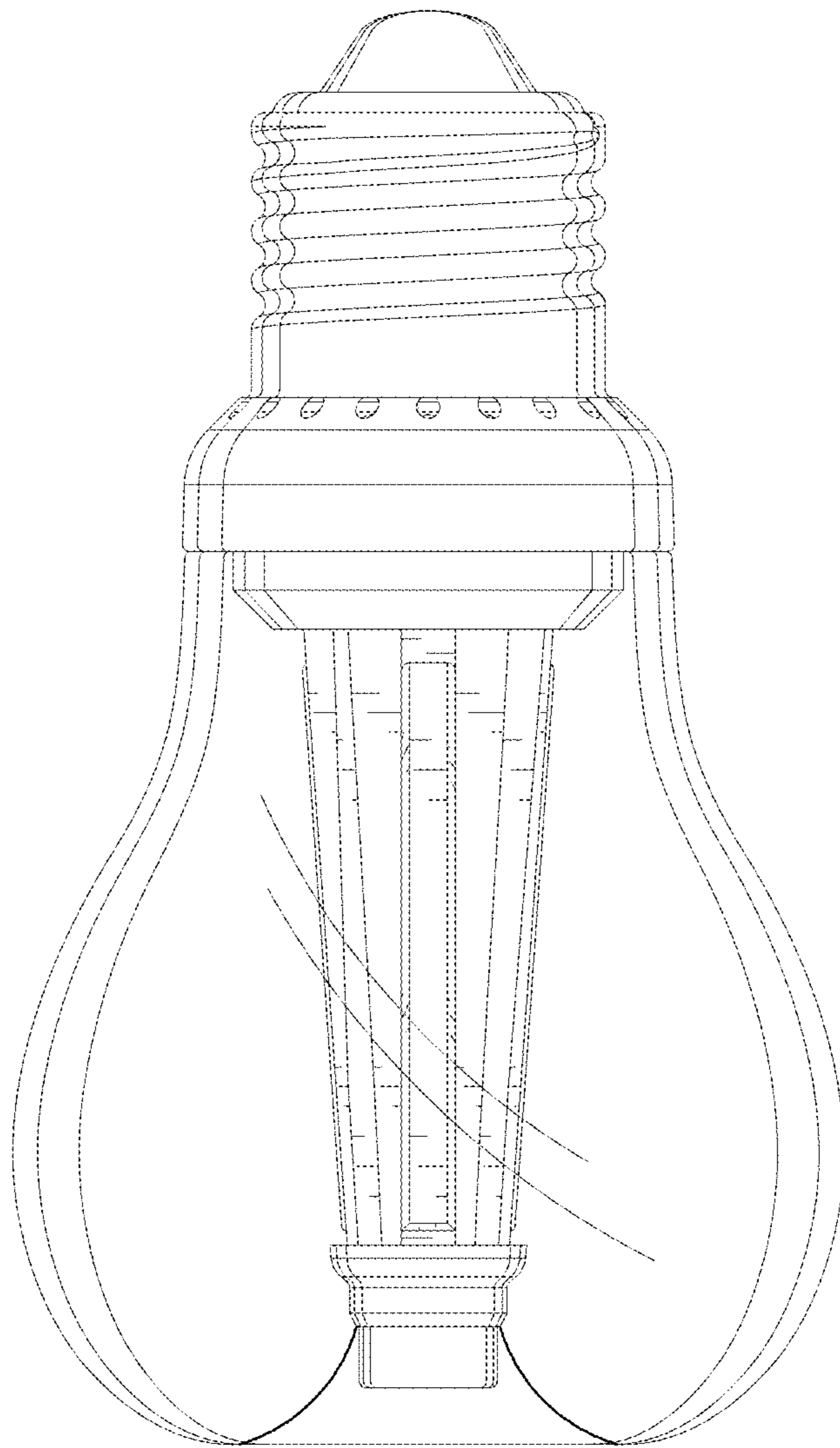
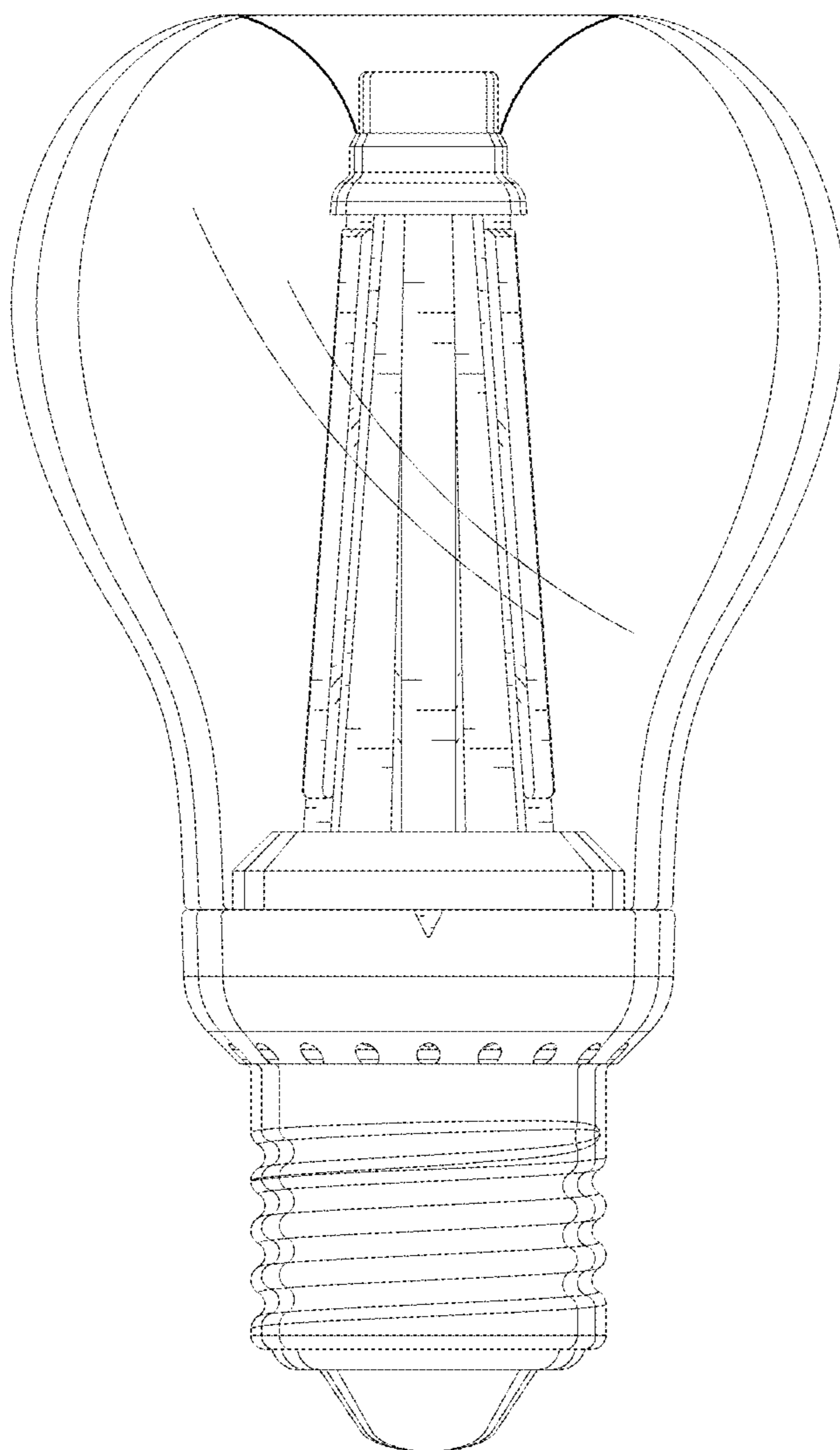


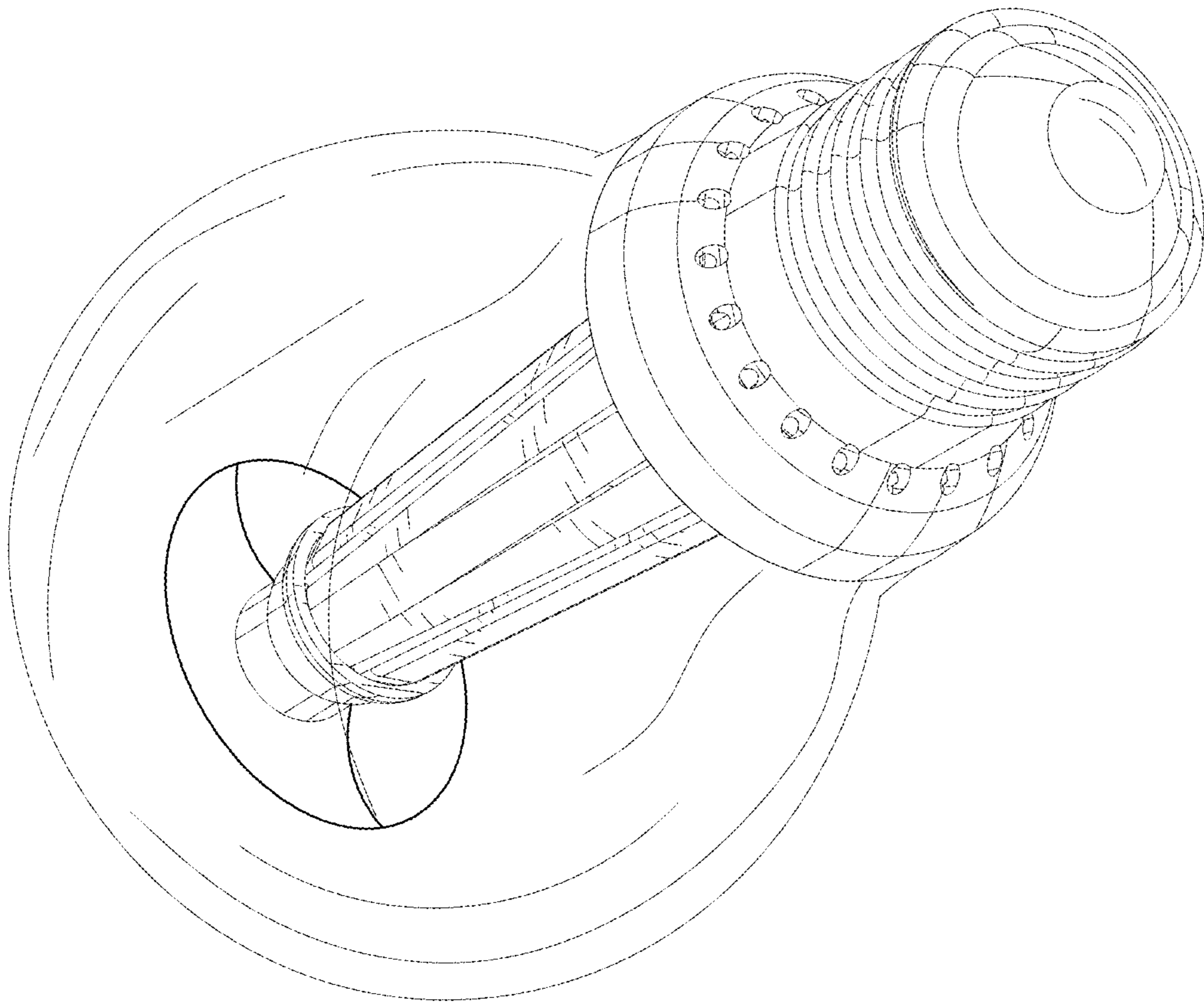
FIG. 5



**FIG. 6**



**FIG. 7**



**FIG. 8**