



US00D804675S

(12) **United States Design Patent** (10) **Patent No.:** **US D804,675 S**
Younger (45) **Date of Patent:** **** Dec. 5, 2017**

(54) **ATTACHMENT PORTION FOR A CRUTCH** 2009/0114257 A1* 5/2009 Sutton A61H 3/02
135/72
(71) Applicant: **MOBILITY DESIGNED, LLC,** 2012/0211036 A1* 8/2012 Zadeh A45B 9/04
Kansas City, MO (US) 135/82
2014/0116484 A1* 5/2014 Demski A61H 3/02
135/71
(72) Inventor: **Max Jefferies Younger,** Roeland Park, 2016/0287464 A1* 10/2016 Younger A45B 9/02
KS (US)

(73) Assignee: **Mobility Designed, LLC,** Kansas City, MO (US)

(**) Term: **15 Years**

(21) Appl. No.: **29/570,545**

(22) Filed: **Jul. 8, 2016**

(51) **LOC (10) Cl.** **24-00**

(52) **U.S. Cl.**
USPC **D24/188**

(58) **Field of Classification Search**
USPC D24/188
CPC A61H 3/02; A61H 3/0288;
A61H 2003/0211; A61H 2003/006; A61H
2003/007; A61H 2201/0192; A45B 9/04
See application file for complete search history.

(56) **References Cited**

U.S. PATENT DOCUMENTS

- 4,708,154 A * 11/1987 Edwards A61H 3/0288
135/84
- 4,852,597 A * 8/1989 Mark A61H 3/02
135/69
- 4,899,771 A * 2/1990 Wilkinson A45B 9/04
135/77
- D362,336 S * 9/1995 Weaver D3/17
- 8,166,990 B2 * 5/2012 Daily A45B 7/00
135/65
- D770,163 S * 11/2016 Walther D3/17
- 2005/0189008 A1 * 9/2005 Bonin, Jr. A61H 3/02
135/68

FOREIGN PATENT DOCUMENTS

ES 2431414 A1 11/2013

* cited by examiner

Primary Examiner — Charles Hanson

(74) *Attorney, Agent, or Firm* — Lathrop Gage LLP

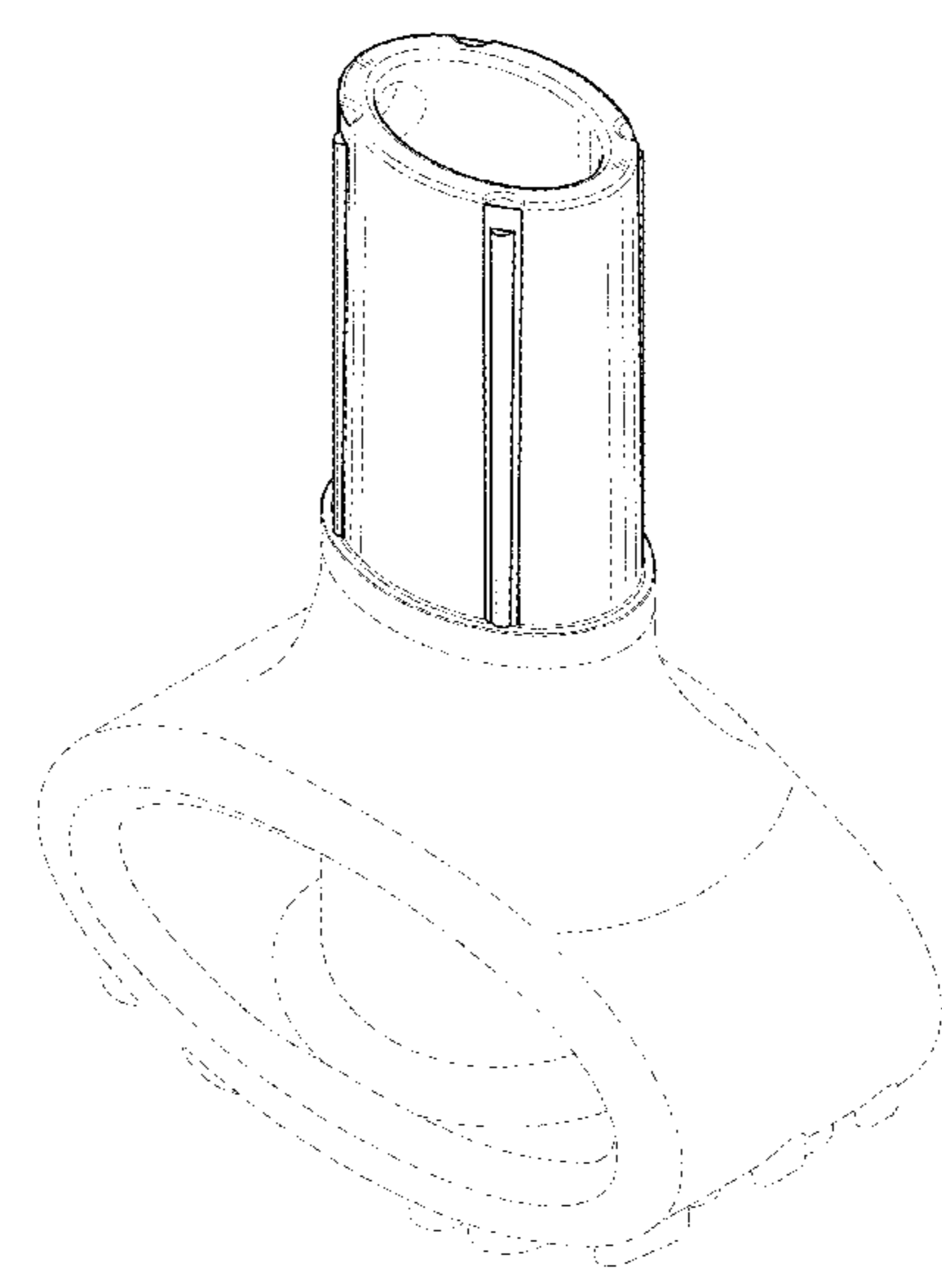
(57) **CLAIM**

The ornamental design for an attachment portion for a crutch, as shown and described.

DESCRIPTION

FIG. 1 is a perspective view of an attachment portion for a crutch.
FIG. 2 is a front view of the attachment portion for a crutch of FIG. 1.
FIG. 3 is a rear view of the attachment portion for a crutch of FIG. 1.
FIG. 4 is a right side view of the attachment portion for a crutch of FIG. 1.
FIG. 5 is a left side view of the attachment portion for a crutch of FIG. 1.
FIG. 6 is a top view of the attachment portion for a crutch of FIG. 1; and,
FIG. 7 is a bottom view of the attachment portion for a crutch of FIG. 1.
The broken lines in the drawings depict environmental subject matter only and form no part of the claimed design.

1 Claim, 7 Drawing Sheets



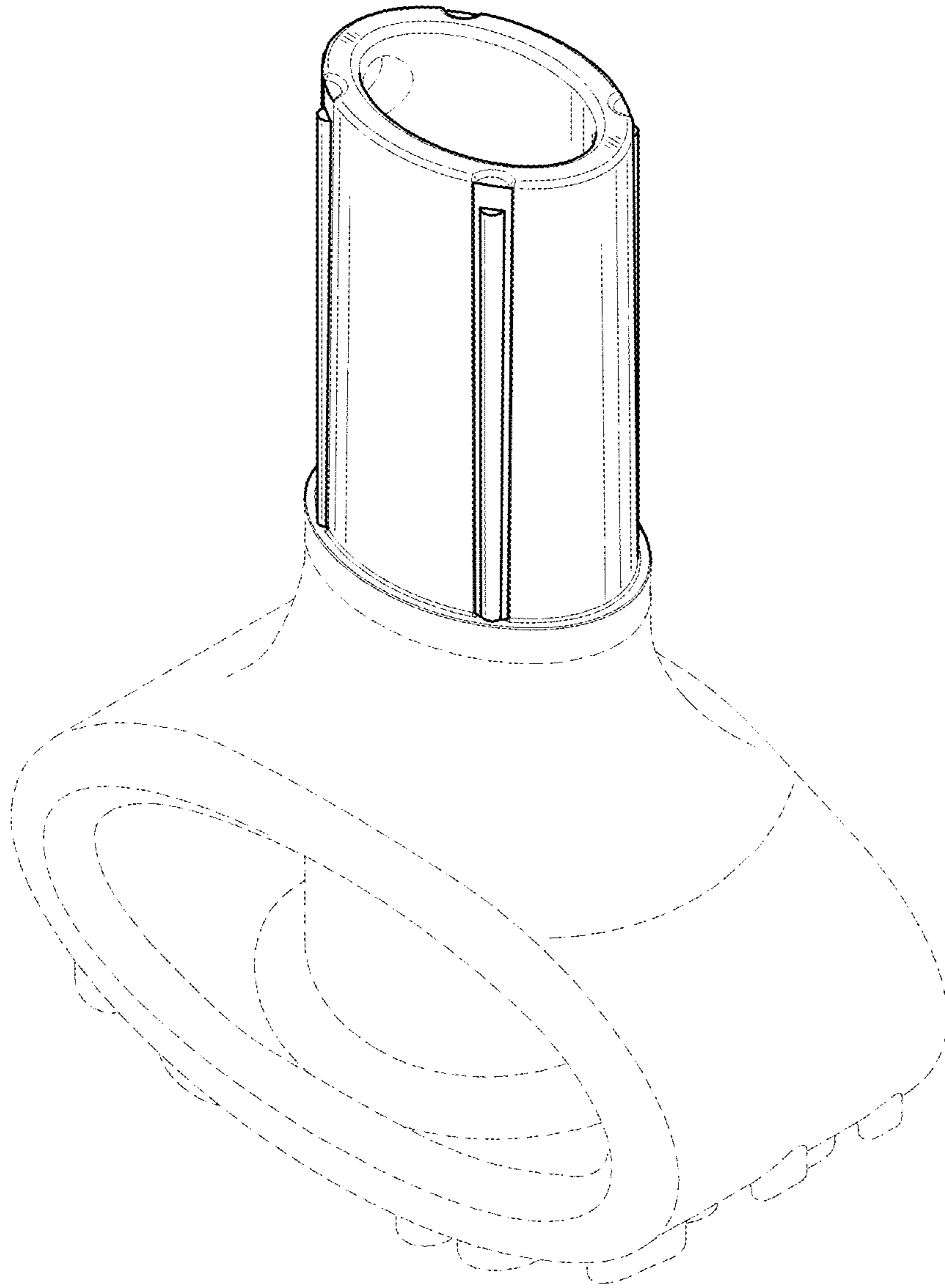


FIG. 1

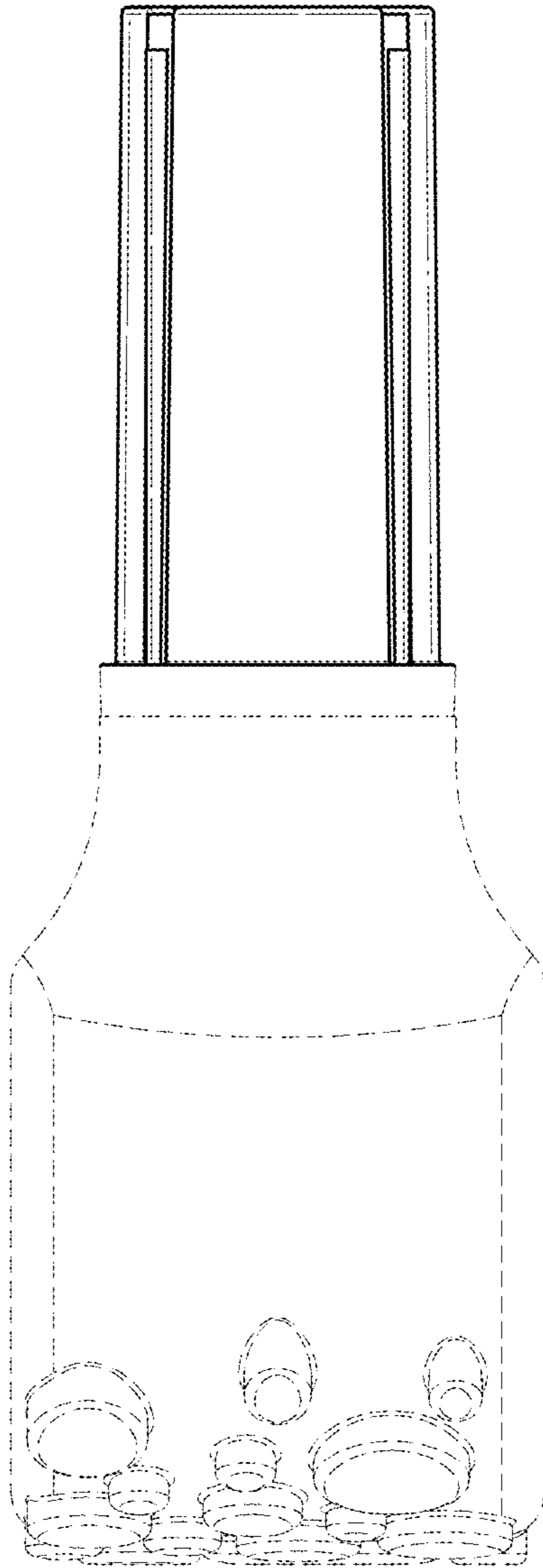


FIG. 2

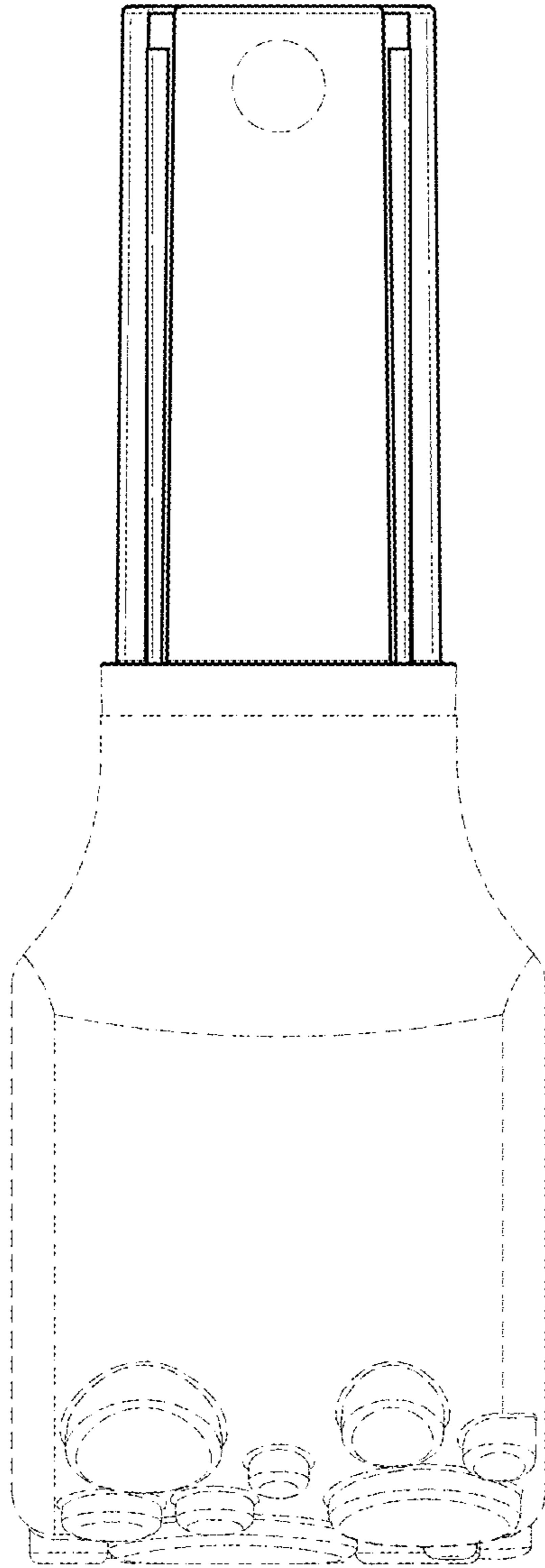


FIG. 3

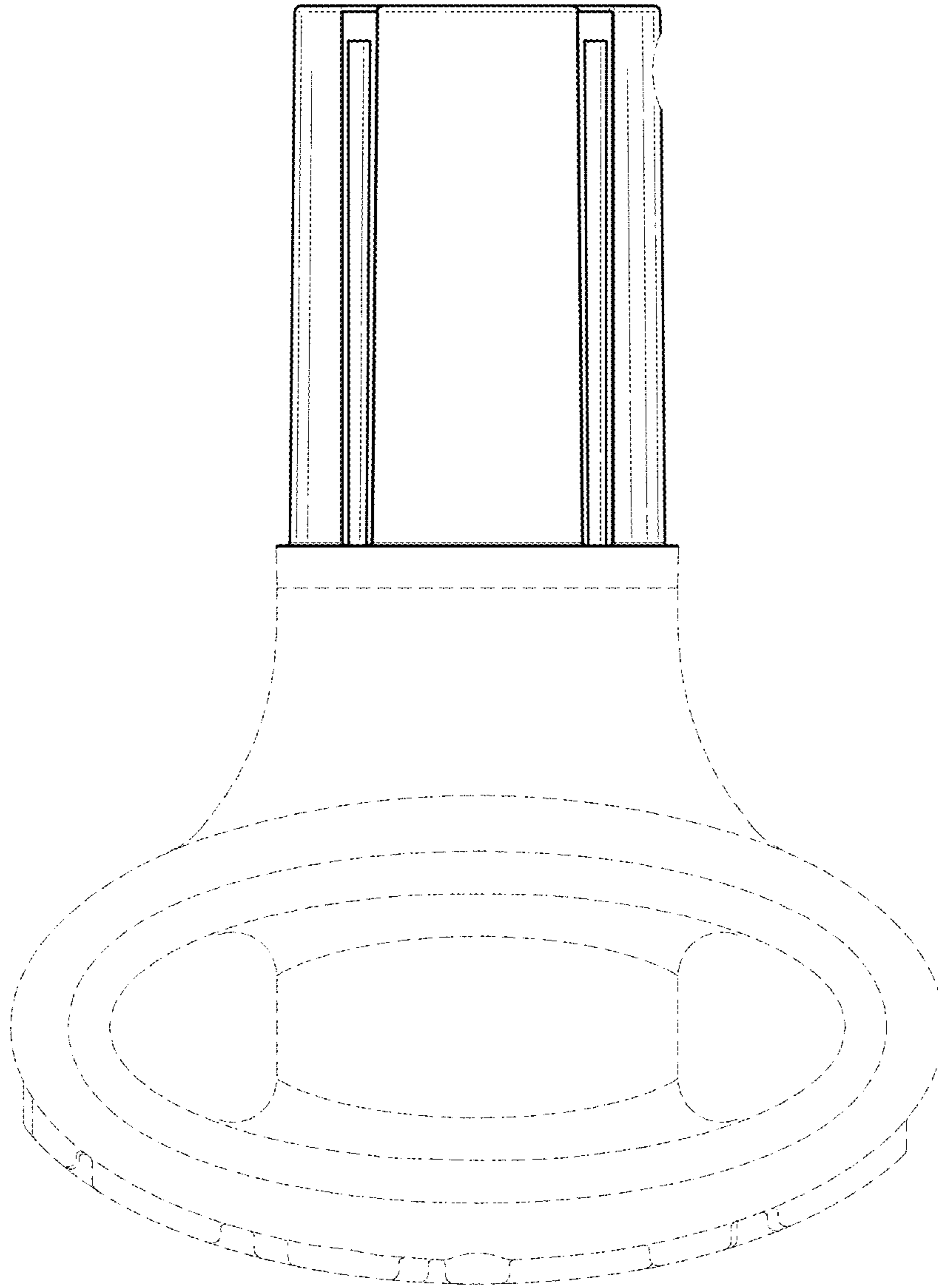


FIG. 4

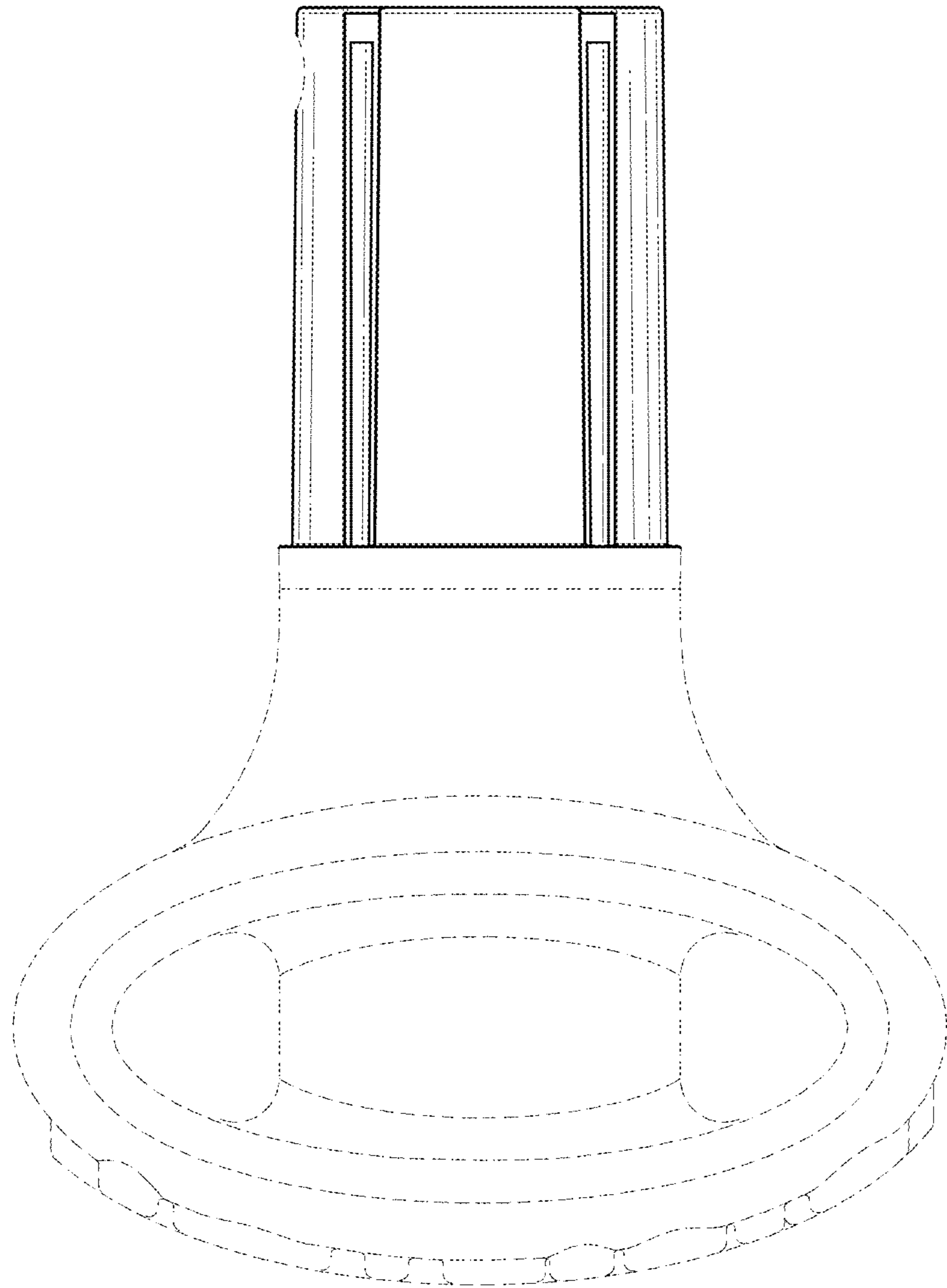


FIG. 5

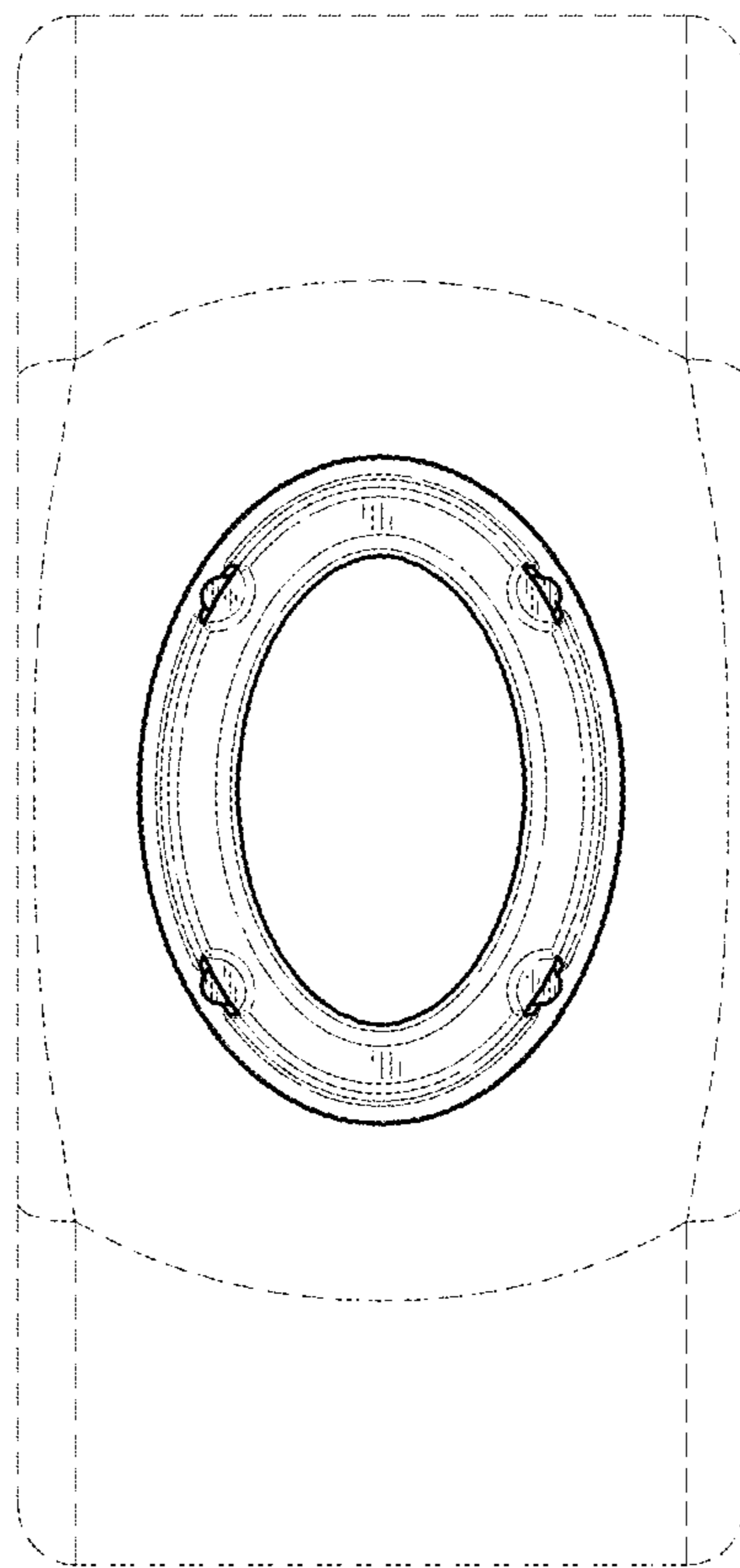


FIG. 6

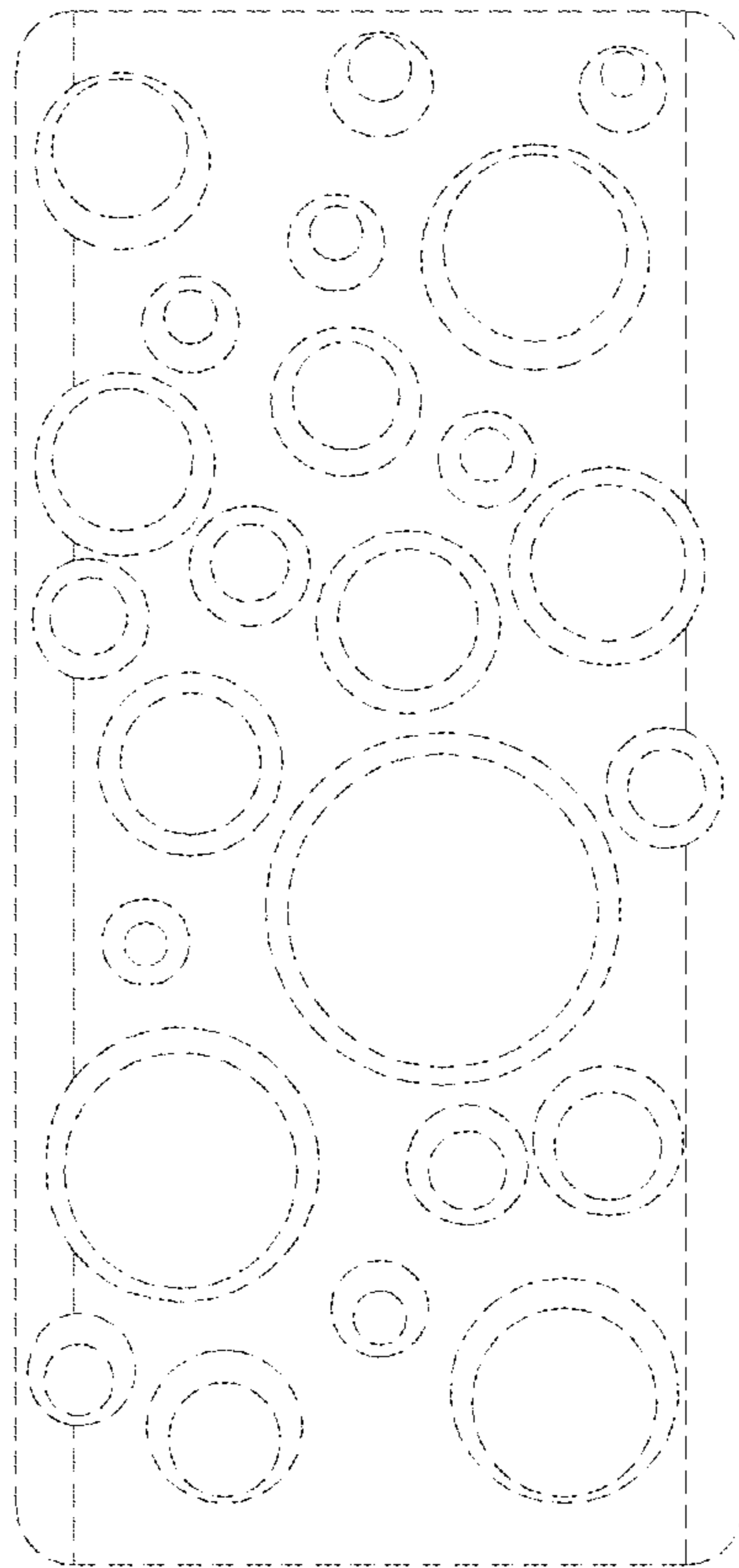


FIG. 7