

US00D804674S

(12) **United States Design Patent** (10) **Patent No.:** **US D804,674 S**  
**Im et al.** (45) **Date of Patent:** **\*\* Dec. 5, 2017**

(54) **BLOOD SUGAR LEVEL MEASURING DEVICE**

FOREIGN PATENT DOCUMENTS

(71) Applicant: **SAMSUNG ELECTRONICS CO., LTD.**, Suwon-si (KR)

EM 0024920820001 7/2014  
KR 300640318 S 4/2012  
KR 300723491 S 1/2014

(72) Inventors: **Seungbin Im**, Yongin-si (KR);  
**Sungchan Ko**, Suwon-si (KR)

*Primary Examiner* — Ian Simmons  
*Assistant Examiner* — Mark Cavanna  
(74) *Attorney, Agent, or Firm* — Cantor Colburn LLP

(73) Assignee: **SAMSUNG ELECTRONICS CO., LTD.**, Gyeonggi-Do (KR)

(57) **CLAIM**

The ornamental design for a blood sugar level measuring device, as shown and described.

(\*\*) Term: **15 Years**

**DESCRIPTION**

(21) Appl. No.: **29/566,951**

FIG. 1 is a top perspective view of a blood sugar level measuring device showing our new design;  
FIG. 2 is a front view thereof;  
FIG. 3 is a rear view thereof;  
FIG. 4 is a left side view thereof;  
FIG. 5 is a right side view thereof;  
FIG. 6 is a top view thereof;  
FIG. 7 is a bottom view thereof;  
FIG. 8 is another perspective view thereof;  
FIG. 9 is a top perspective exploded view of a blood sugar level measuring device with a measuring instrument module in dot-dot-dash broken lines provided to illustrate an example environment; and,  
FIG. 10 is a top perspective view of a blood sugar level measuring device with a strip for blood-sugar test in dot-dot-dash broken lines provided to illustrate an example environment.

(22) Filed: **Jun. 3, 2016**

(30) **Foreign Application Priority Data**

Dec. 7, 2015 (KR) ..... 30-2015-0062266

(51) **LOC (10) Cl.** ..... **24-01**

(52) **U.S. Cl.**  
USPC ..... **D24/186**; D24/169

(58) **Field of Classification Search**  
USPC ..... D24/134, 164, 165, 167, 169, 186, 187, D24/200; D10/57, 108, 116.1, 106.1, 81; D21/529, 324; 374/208; 600/301, 316, 600/322, 345, 372, 398, 483-485, 500, 600/506, 529, 549, 554-555, 586, 588, 600/347, 365, 583, 584, 310; D13/164,

(Continued)

(56) **References Cited**

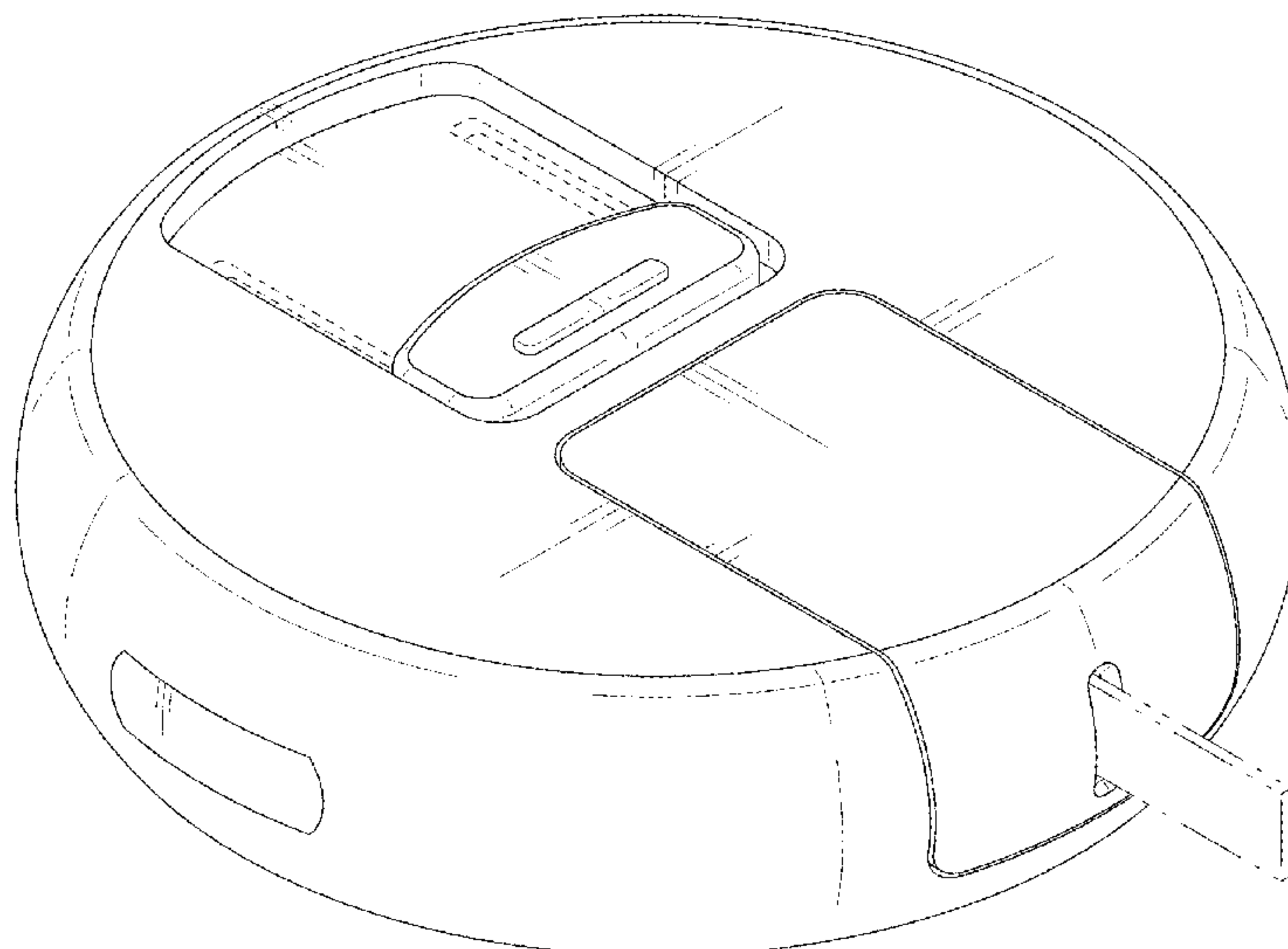
U.S. PATENT DOCUMENTS

D328,617 S \* 8/1992 Emmel ..... D10/116.1  
D377,983 S \* 2/1997 Sabri ..... D24/167

(Continued)

The dash-dash broken lines in FIGS. 1, 2, and 6-10 immediately adjacent to claimed surfaces represent the boundaries of the claimed design and also show portions of the blood sugar level measuring device that form no part of the claimed design. The dot-dot-dash lines in FIG. 9 and FIG. 10 showing the additional measuring instrument module and the strip for an blood-sugar test are for the purpose of illustrating environmental structure and form no part of the claimed design. None of the broken lines form any part of the claimed design.

**1 Claim, 8 Drawing Sheets**



(58) **Field of Classification Search**

USPC ..... D13/171, 162, 174, 168, 108; D28/82;  
 D26/89, 104; D14/460, 218, 426, 223,  
 D14/400; D9/500; 356/39; 422/400,  
 422/68.1; 435/14, 287.2; 436/514, 518;  
 604/66; 702/19  
 CPC ..... G01K 1/14; G01K 13/002; A61B 5/0002;  
 A61B 5/14532; A61B 5/1455; A61B  
 5/0408; A61B 3/16; A61B 5/0205; A61B  
 5/021; A61B 5/0535; A61B 7/003; A61B  
 5/01; A61B 5/05; A61B 5/483; A61B  
 5/4356; A61B 10/007; A61B 5/0022;  
 A61B 5/0031; A61B 5/0059; A61B  
 5/02055; A61B 5/1411; A61B 5/14503;  
 A61B 5/14514; A61B 5/14546; A61B  
 5/14865; A61B 5/150022; A61B 5/15178;  
 A61B 5/157; A61B 5/1723; G03B 17/14;  
 G01N 33/48785; G01N 33/49; G01N  
 33/493; G01N 33/66

See application file for complete search history.

(56) **References Cited**

U.S. PATENT DOCUMENTS

D413,673 S \* 9/1999 Jacobs ..... D24/165  
 D429,336 S \* 8/2000 Francis ..... D24/167  
 D452,012 S \* 12/2001 Phillips ..... D24/186  
 D492,999 S \* 7/2004 Lax ..... D24/167  
 D502,414 S \* 3/2005 Shibata ..... D10/57  
 D507,078 S \* 7/2005 Greenfield ..... D28/82  
 D546,454 S \* 7/2007 Gutmann ..... D24/169  
 D546,952 S \* 7/2007 May ..... D24/186  
 D581,056 S \* 11/2008 Kurokawa ..... D24/186  
 D585,137 S \* 1/2009 Onoda ..... D24/169  
 D587,376 S \* 2/2009 Takano ..... D24/169  
 D597,211 S \* 7/2009 Ewing ..... D24/187  
 D601,564 S \* 10/2009 Maeno ..... D14/400  
 D603,698 S \* 11/2009 VerWeyst ..... D9/500

D608,451 S \* 1/2010 Hanoun ..... D24/186  
 D608,892 S \* 1/2010 Takano ..... D24/169  
 D616,550 S \* 5/2010 Lhuillery ..... D24/169  
 D622,844 S \* 8/2010 Alexander ..... D24/134  
 D627,306 S \* 11/2010 Charleux ..... D13/168  
 D639,957 S \* 6/2011 Pauschitz ..... D24/169  
 D642,690 S \* 8/2011 Altmann ..... D24/186  
 D645,818 S \* 9/2011 Guccione ..... D13/108  
 D663,421 S \* 7/2012 Steiner ..... D24/169  
 D666,929 S \* 9/2012 Tyler ..... D10/57  
 D670,811 S \* 11/2012 Fukuzawa ..... D24/169  
 8,326,650 B2 \* 12/2012 Horiguchi ..... A61B 5/0002  
 705/3  
 D697,800 S \* 1/2014 Villarreal ..... D28/82  
 D701,964 S \* 4/2014 Yoneta ..... D24/187  
 D707,826 S \* 6/2014 Young ..... D24/169  
 D714,787 S \* 10/2014 Matsuoka ..... D14/426  
 D714,942 S \* 10/2014 Hwang ..... D24/167  
 D715,446 S \* 10/2014 Lee ..... D24/167  
 8,890,682 B2 \* 11/2014 Tounooka ..... A61B 5/14532  
 340/539.12  
 D718,868 S \* 12/2014 Schroderus ..... D24/167  
 D721,853 S \* 1/2015 Koo ..... D28/82  
 D722,697 S \* 2/2015 Moon ..... D24/169  
 D723,695 S \* 3/2015 Chung ..... D24/169  
 D747,489 S \* 1/2016 Ahlstrom ..... D24/169  
 9,433,385 B2 \* 9/2016 Kasahara ..... A61B 5/1118  
 D773,437 S \* 12/2016 Lee ..... D14/223  
 2002/0198443 A1 \* 12/2002 Ting ..... A61B 5/021  
 600/323  
 2006/0029991 A1 \* 2/2006 Hagino ..... A61B 5/0531  
 435/14  
 2013/0038453 A1 \* 2/2013 Nishiyama ..... A61B 5/14532  
 340/573.1  
 2014/0236489 A1 \* 8/2014 Chen ..... G01N 33/48792  
 702/19  
 2016/0033440 A1 \* 2/2016 Cho ..... G01N 33/49  
 205/782  
 2016/0131590 A1 \* 5/2016 Kim ..... A61B 5/6898  
 435/287.9

\* cited by examiner

FIG. 1

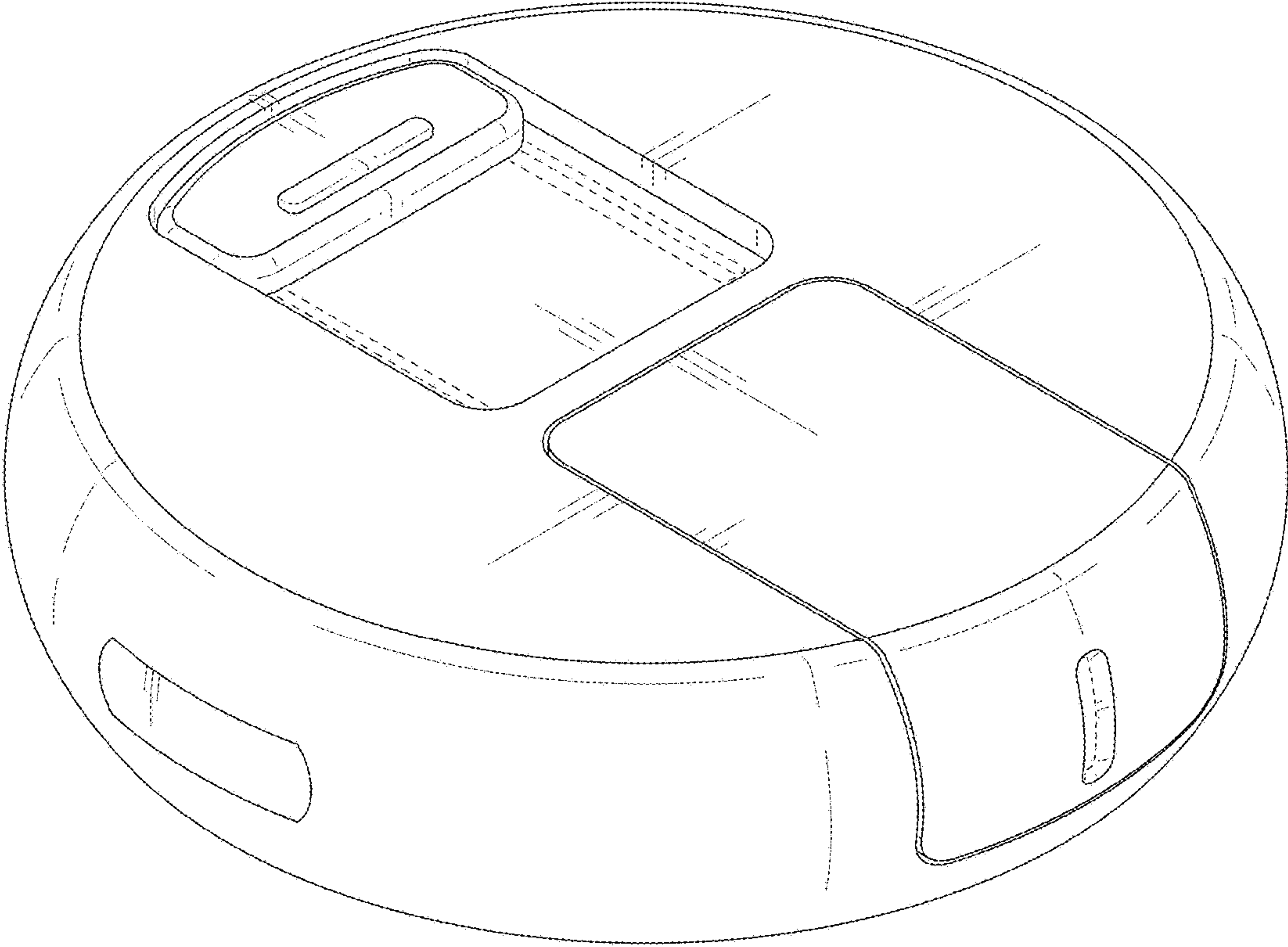


FIG. 2

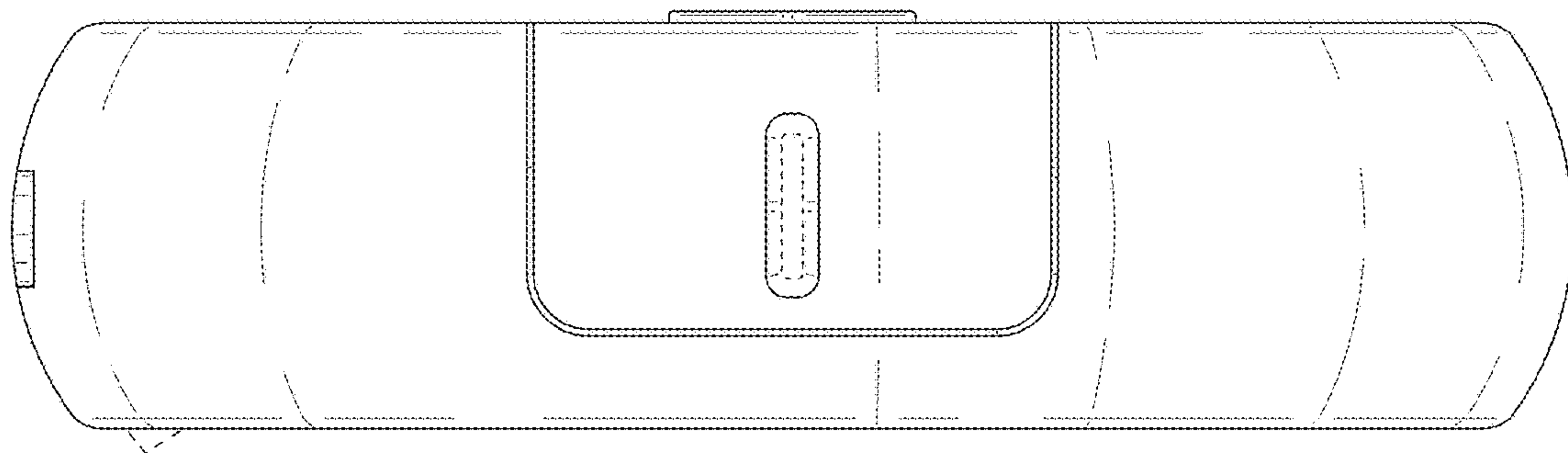


FIG. 3

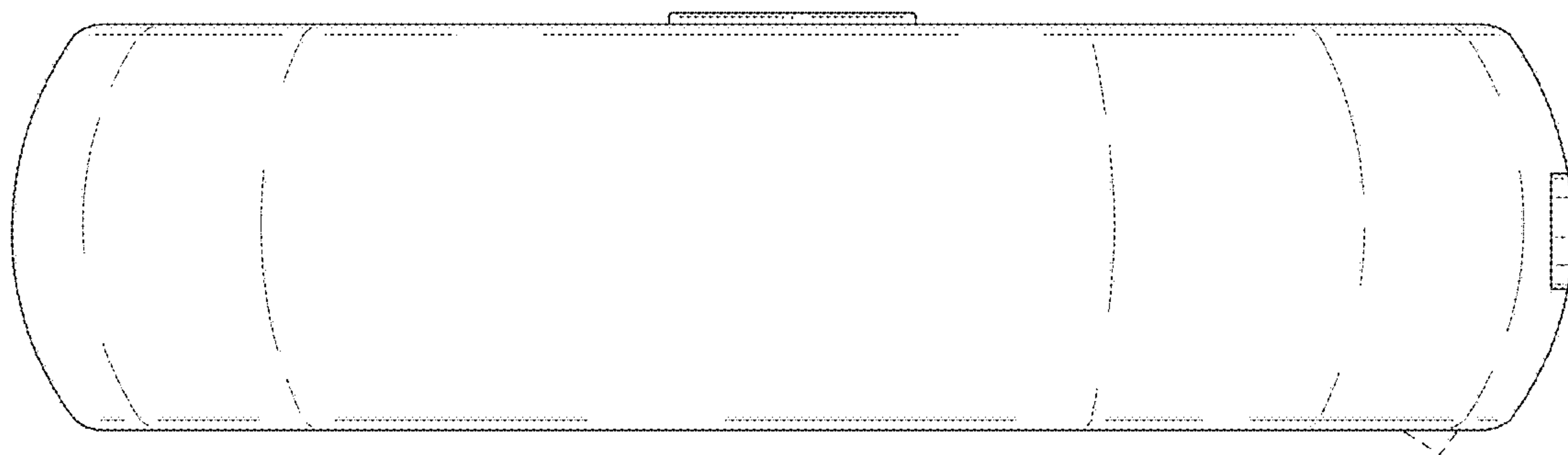




FIG. 4

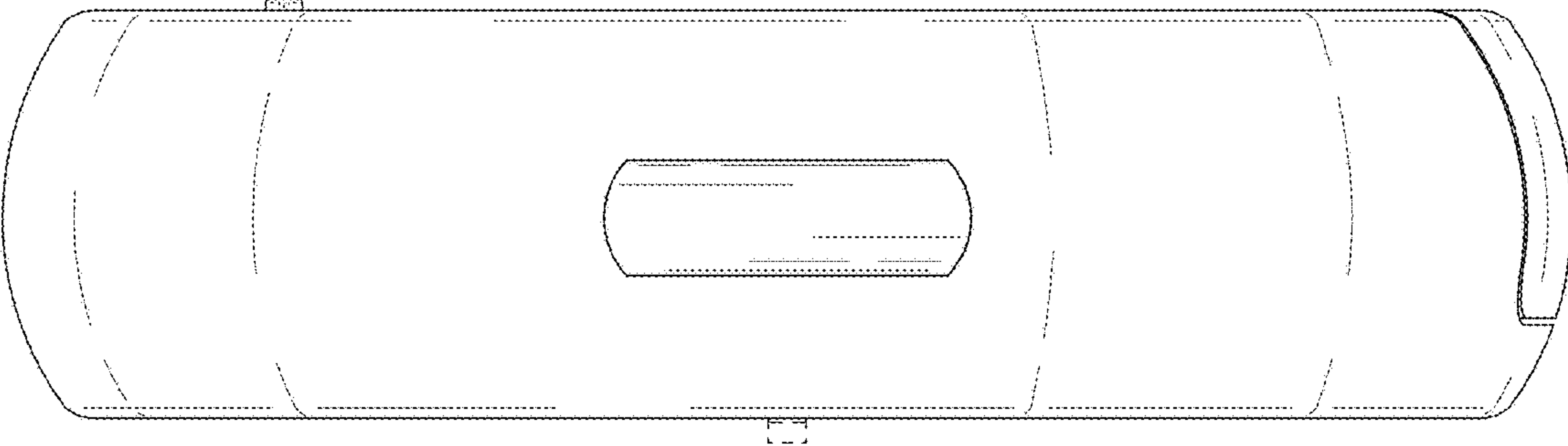


FIG. 5

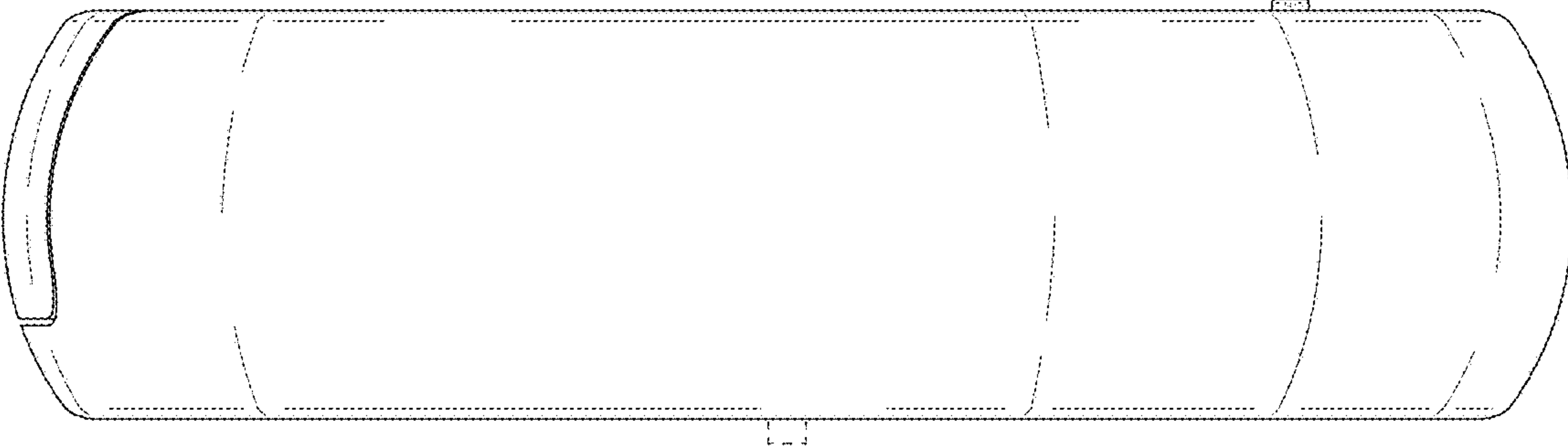


FIG. 6

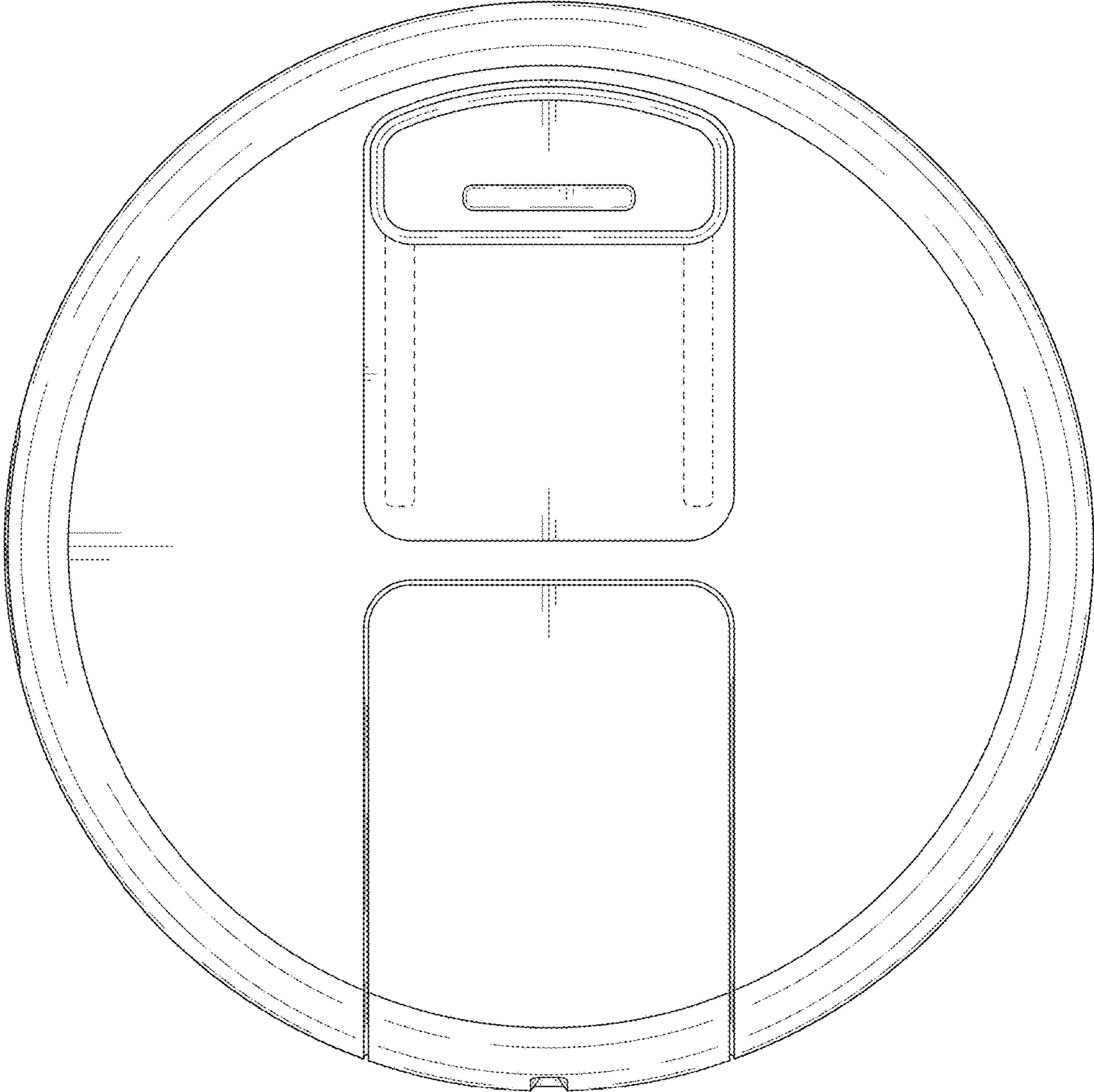


FIG. 7

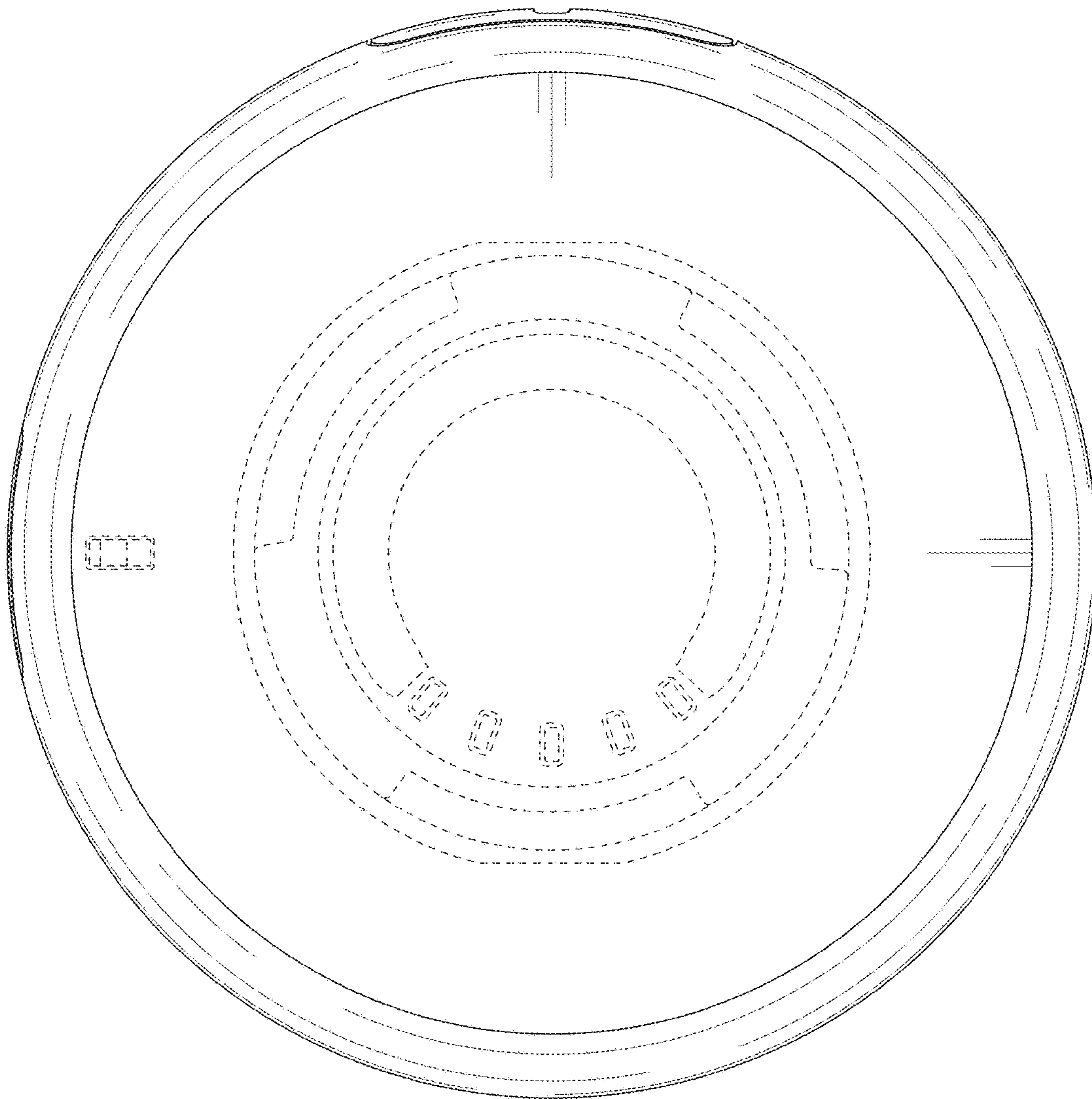


FIG. 8

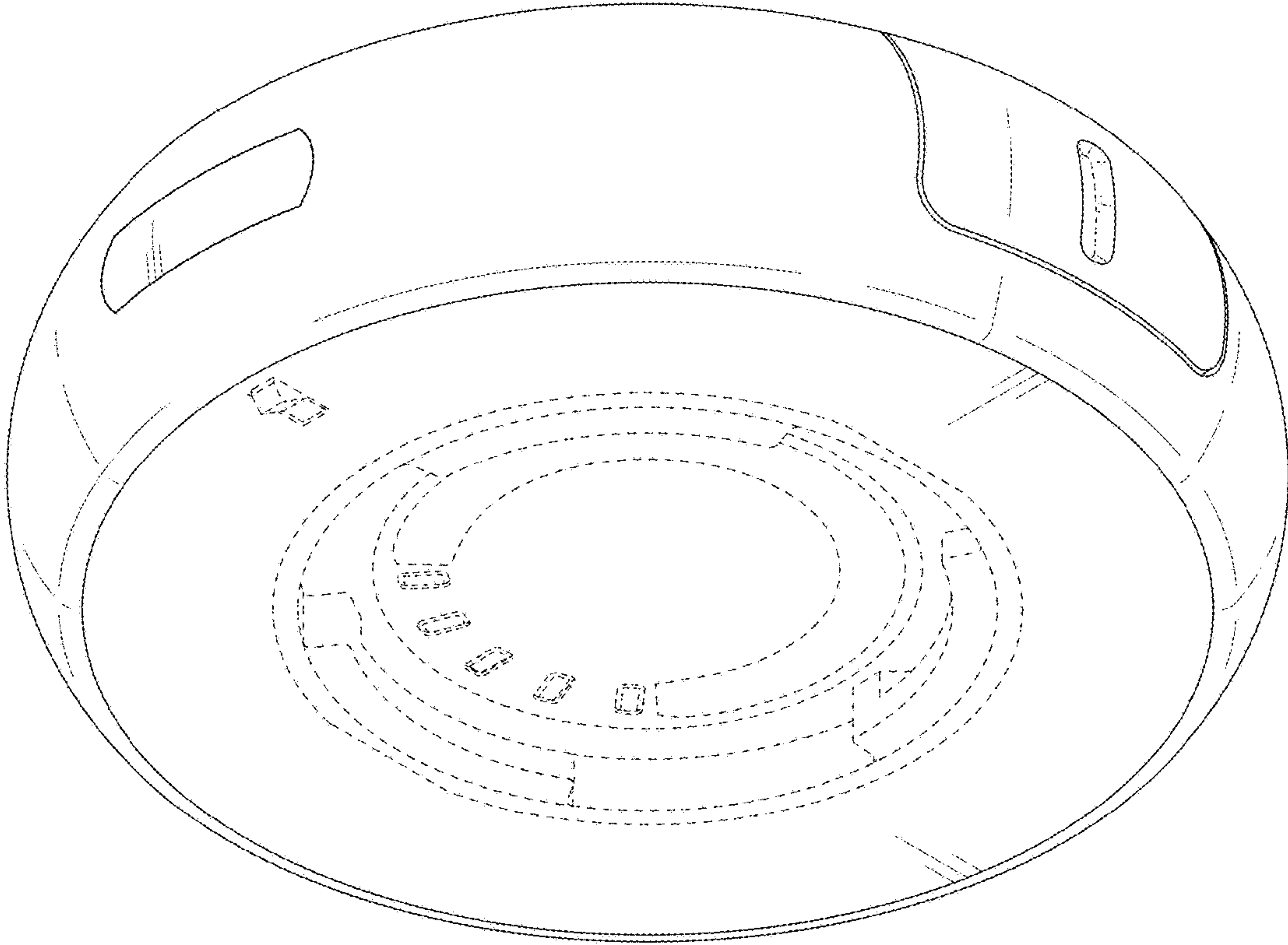




FIG. 9

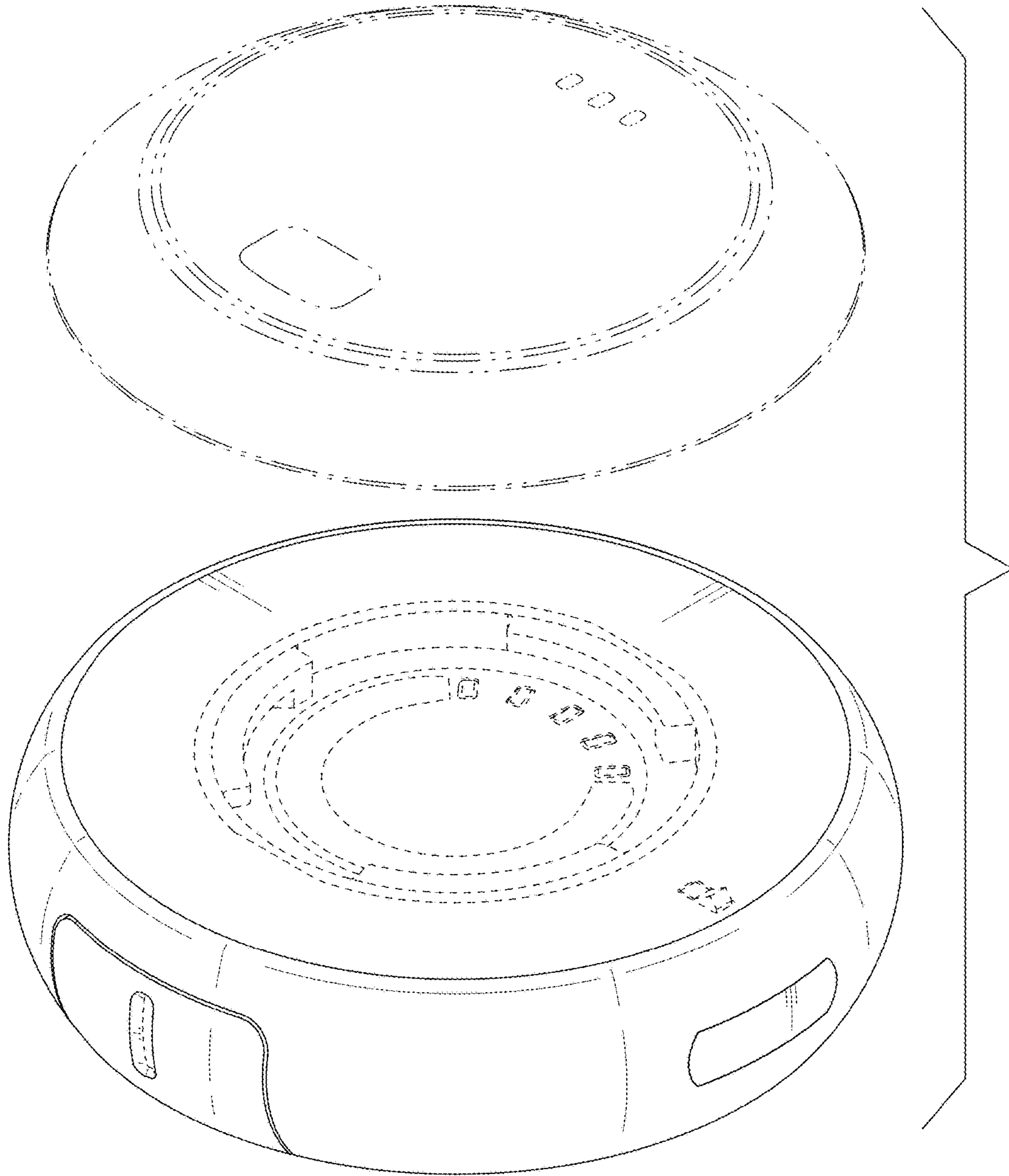


FIG. 10

