



US00D804673S

(12) **United States Design Patent**
Shin et al.

(10) **Patent No.:** **US D804,673 S**

(45) **Date of Patent:** **** Dec. 5, 2017**

(54) **ULTRASOUND DIAGNOSTIC APPARATUS**

(56) **References Cited**

(71) Applicant: **SAMSUNG MEDISON CO., LTD.**,
Hongcheon-gun, Gangwon-do (KR)

U.S. PATENT DOCUMENTS

(72) Inventors: **Cheonseop Shin**, Yeosu-si (KR);
Sungwon Lim, Paju-si (KR); **Ui Kim**,
Kyungki-do (KR); **Junpil Moon**, Seoul
(KR)

D707,359 S * 6/2014 Kim D24/185
D713,035 S * 9/2014 Kim D24/158
D727,504 S * 4/2015 Ninomiya D24/158
D743,558 S * 11/2015 Kim D24/158

OTHER PUBLICATIONS

(73) Assignee: **SAMSUNG MEDISON CO., LTD.**,
Hongcheon-Gun, Gangwon-Do (KR)

samsungmedicalsolution.com,HS60 Ultrasound System Apr. 12,
2017,samsungmedicalsolution.com, URL:https://www.
samsungmedicalsolution.com/en/common/productDetail/
view?productId=194&productTabId=benefit&depth_gb=uss, 6
pages,retrived on Apr. 12, 2017.*

(**) Term: **15 Years**

* cited by examiner

(21) Appl. No.: **29/563,623**

Primary Examiner — Wan Laymon

(22) Filed: **May 6, 2016**

Assistant Examiner — Mark Booker

(30) **Foreign Application Priority Data**

(74) *Attorney, Agent, or Firm* — Ladas & Parry LLP

Apr. 19, 2016 (KR) 30-2016-0018690

(51) **LOC (10) Cl.** **24-01**

(57) **CLAIM**

(52) **U.S. Cl.**
USPC **D24/186**

We claim the ornamental design for an ultrasound diagnostic
apparatus, as shown and described.

(58) **Field of Classification Search**

DESCRIPTION

USPC D24/186, 144, 158–161, 164, 167–169,
D24/172, 177, 182–185, 200, 226, 230,
D24/231; D34/12, 14; 248/282.1;
312/22, 109, 209, 223.1, 249.8, 249.12,
312/286; 600/437–461; 601/2;
606/32–34
CPC A61B 8/14; A61B 8/463; A61B 8/488;
A61B 8/483; A61B 8/4472; A61B 8/46;
G06T 2207/10132; G06T 2207/10136;
G06T 7/00; G06T 19/00; G06T 2200/04;
G06T 2207/10004; G06T 2207/30004;
G01N 29/0654; B06B 2201/76; G01H
5/00

FIG. 1 is a front perspective view of an ultrasound diagnos-
tic apparatus showing our new design;
FIG. 2 is a front view thereof;
FIG. 3 is a rear view thereof;
FIG. 4 is a left-side view thereof;
FIG. 5 is a right-side view thereof;
FIG. 6 is a top view thereof; and,
FIG. 7 is a bottom view thereof.
The broken lines in the figures depict environmental subject
matter and form no part of the claimed design.

See application file for complete search history.

1 Claim, 7 Drawing Sheets

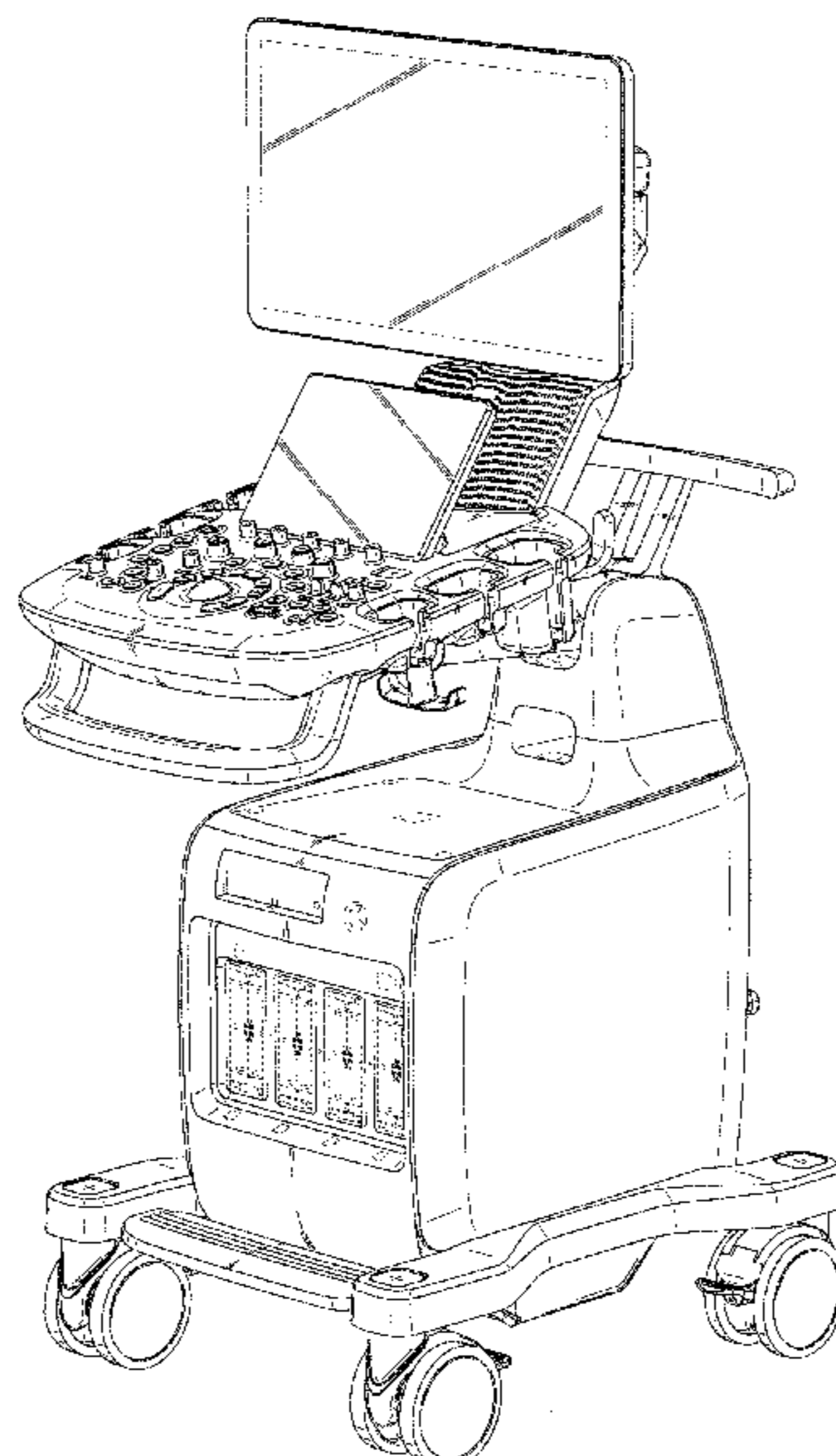


FIG. 1

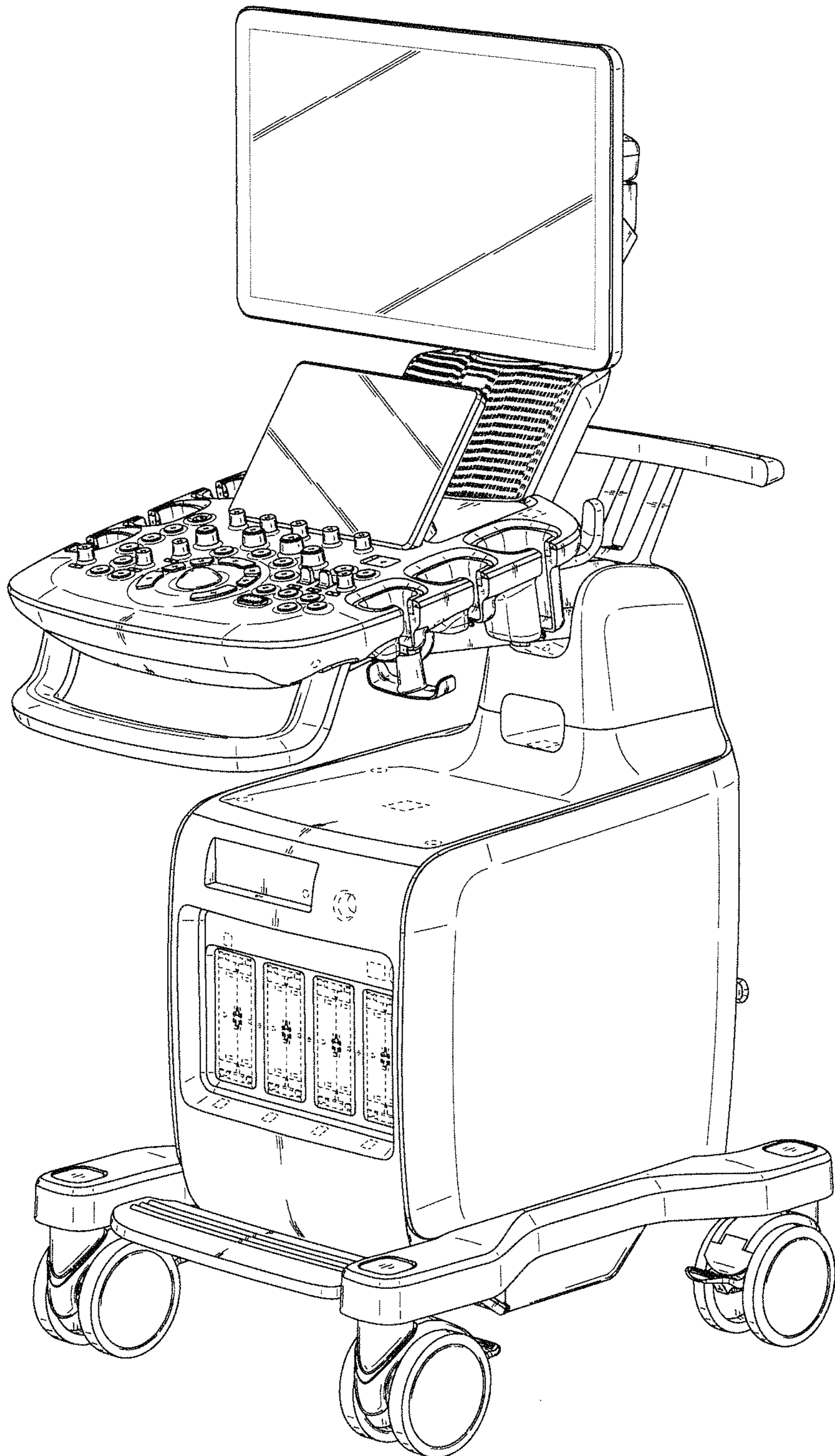


FIG. 2

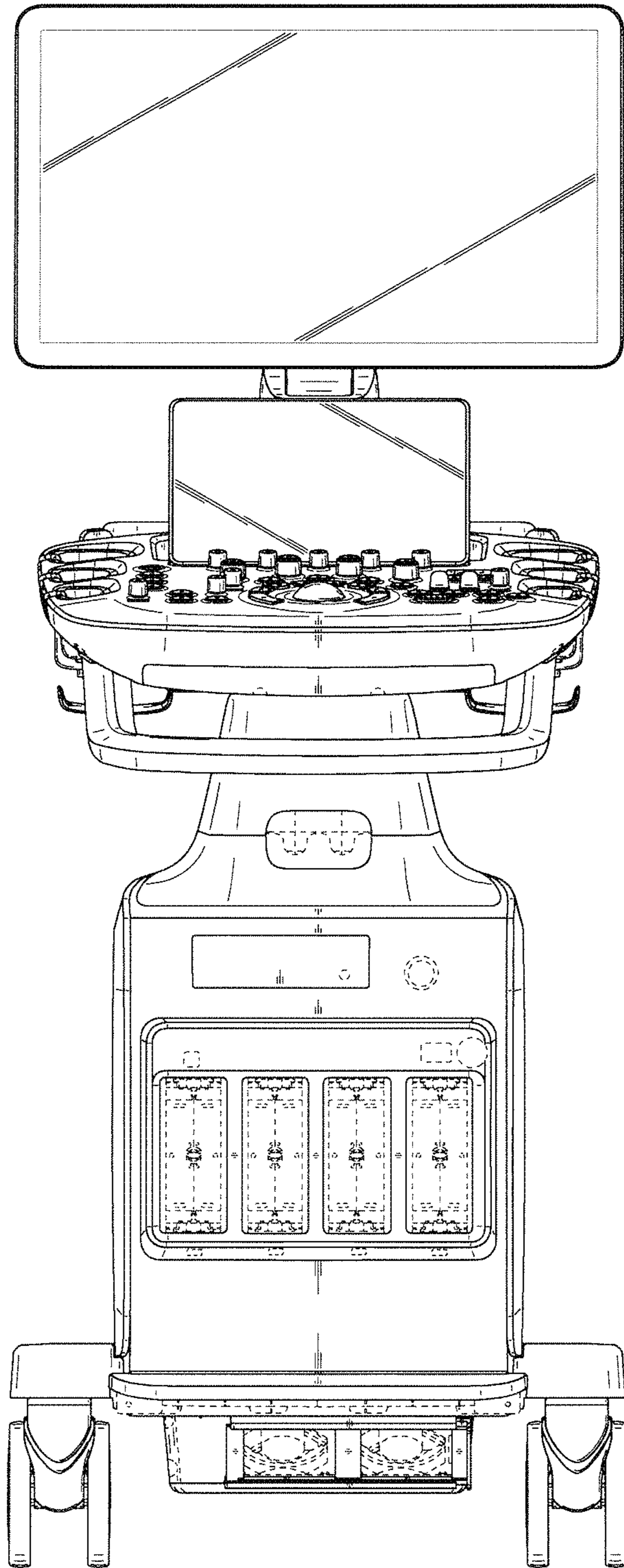


FIG. 3

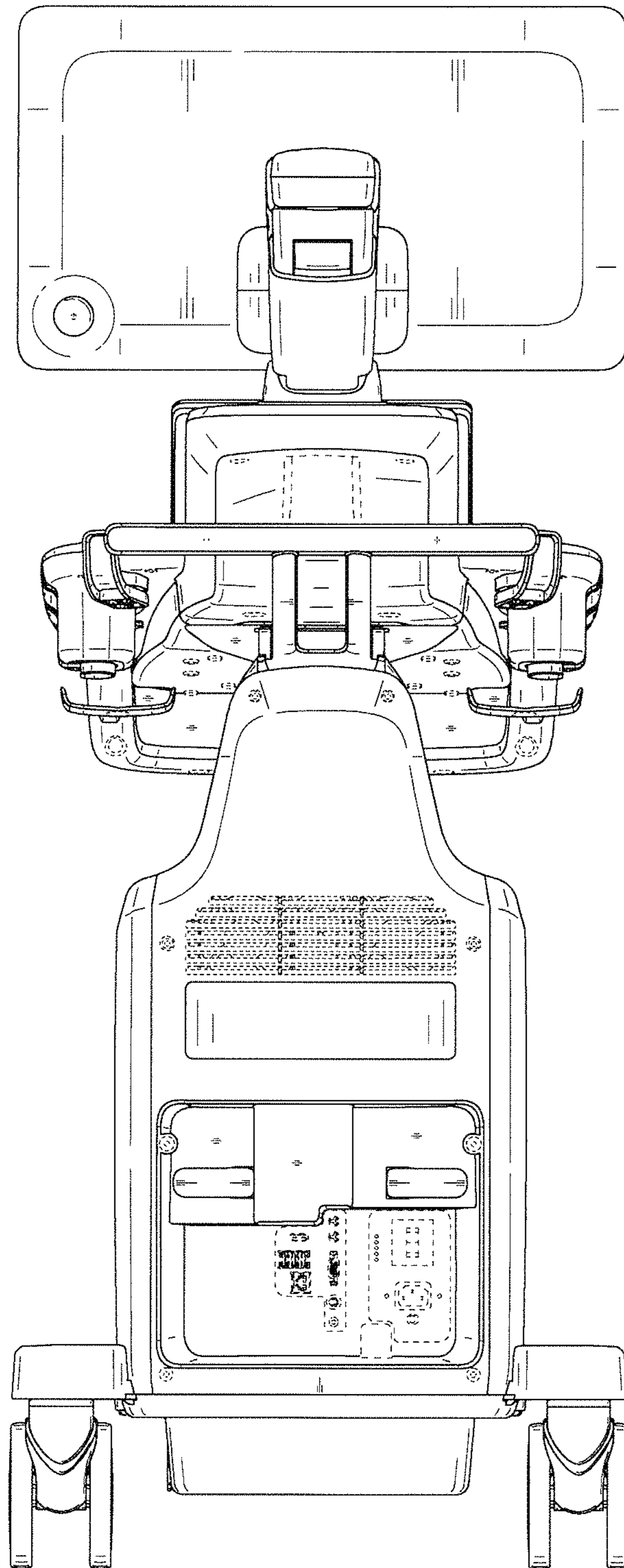


FIG. 4

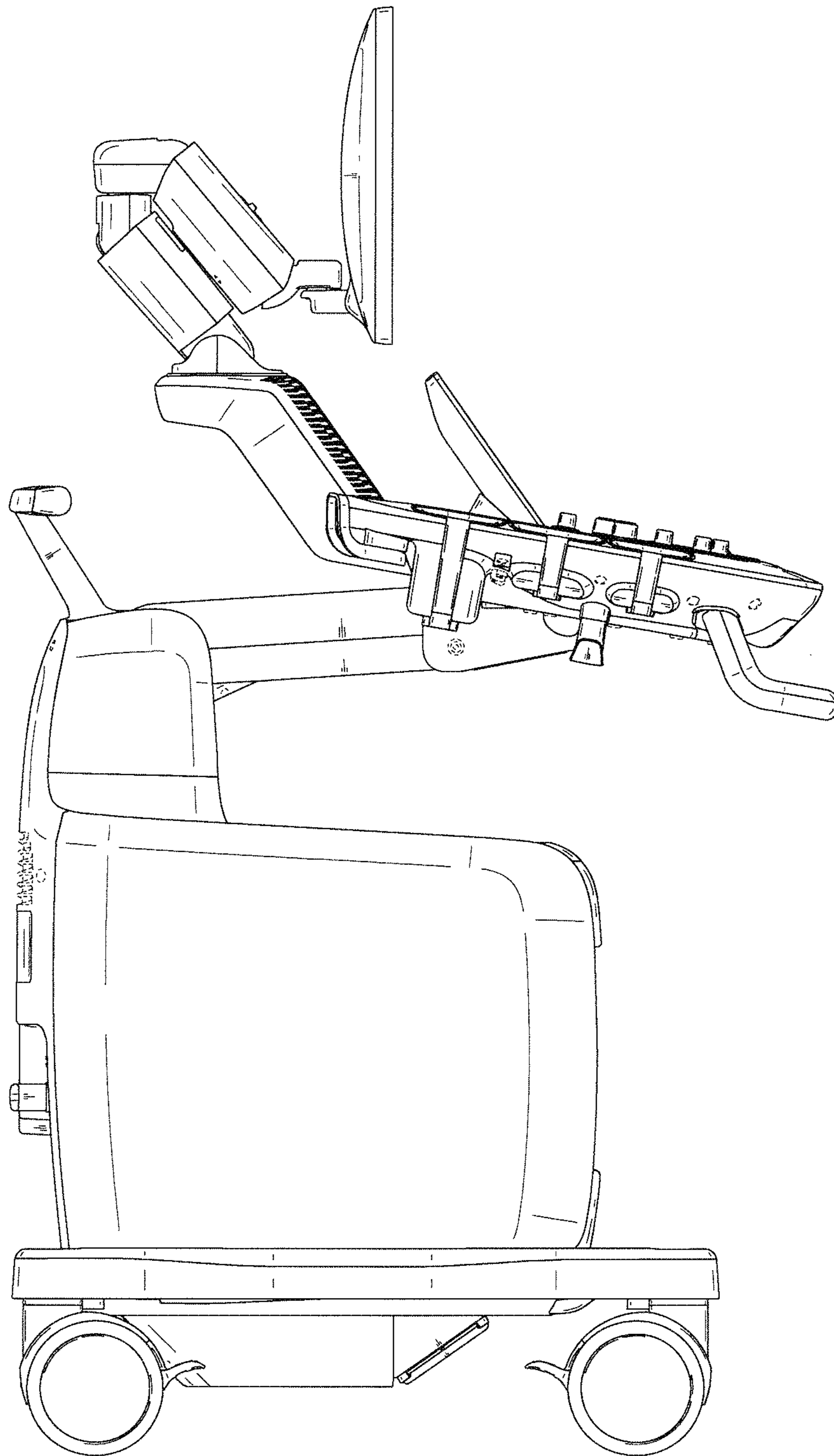


FIG. 5

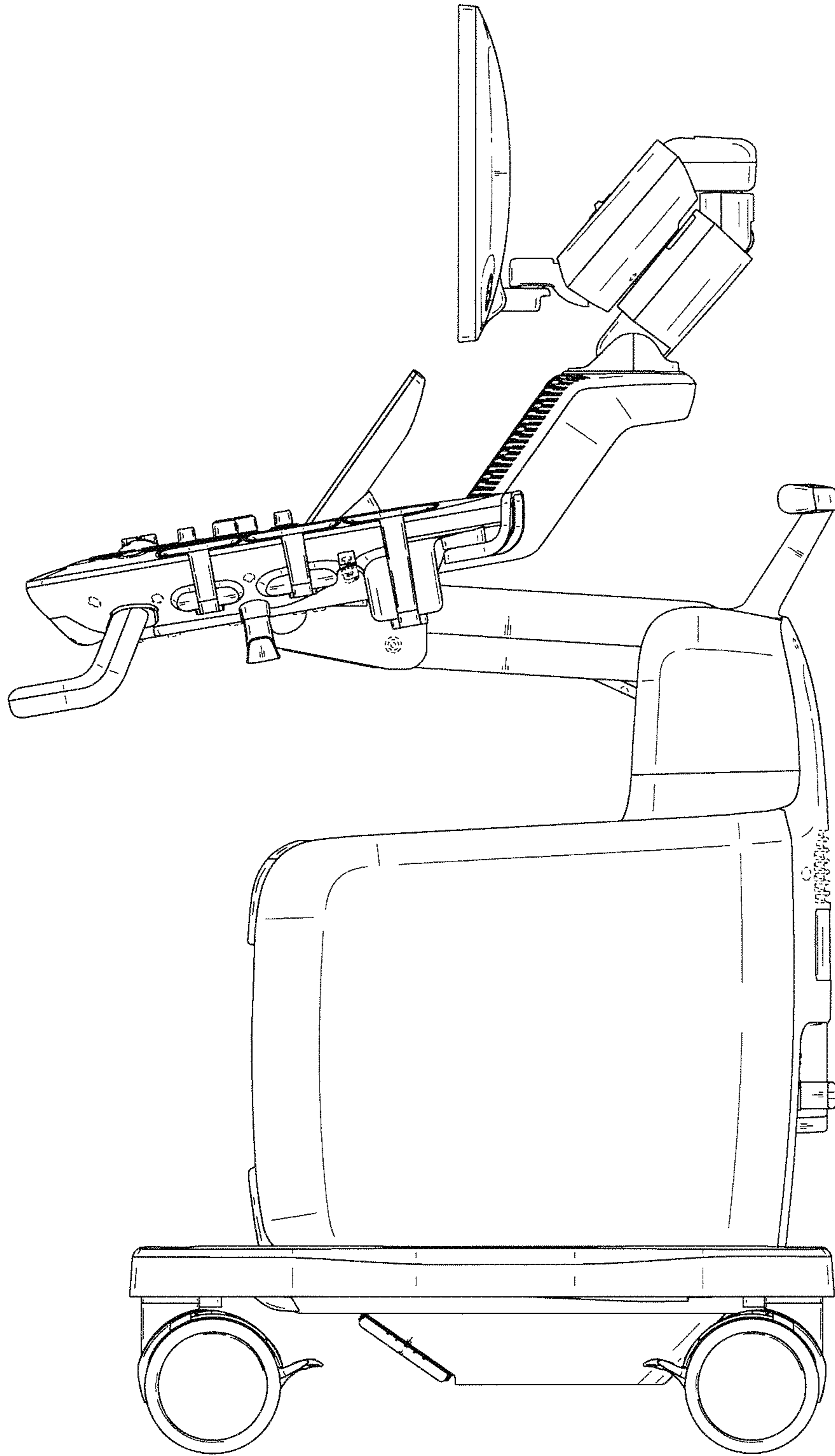


FIG. 6

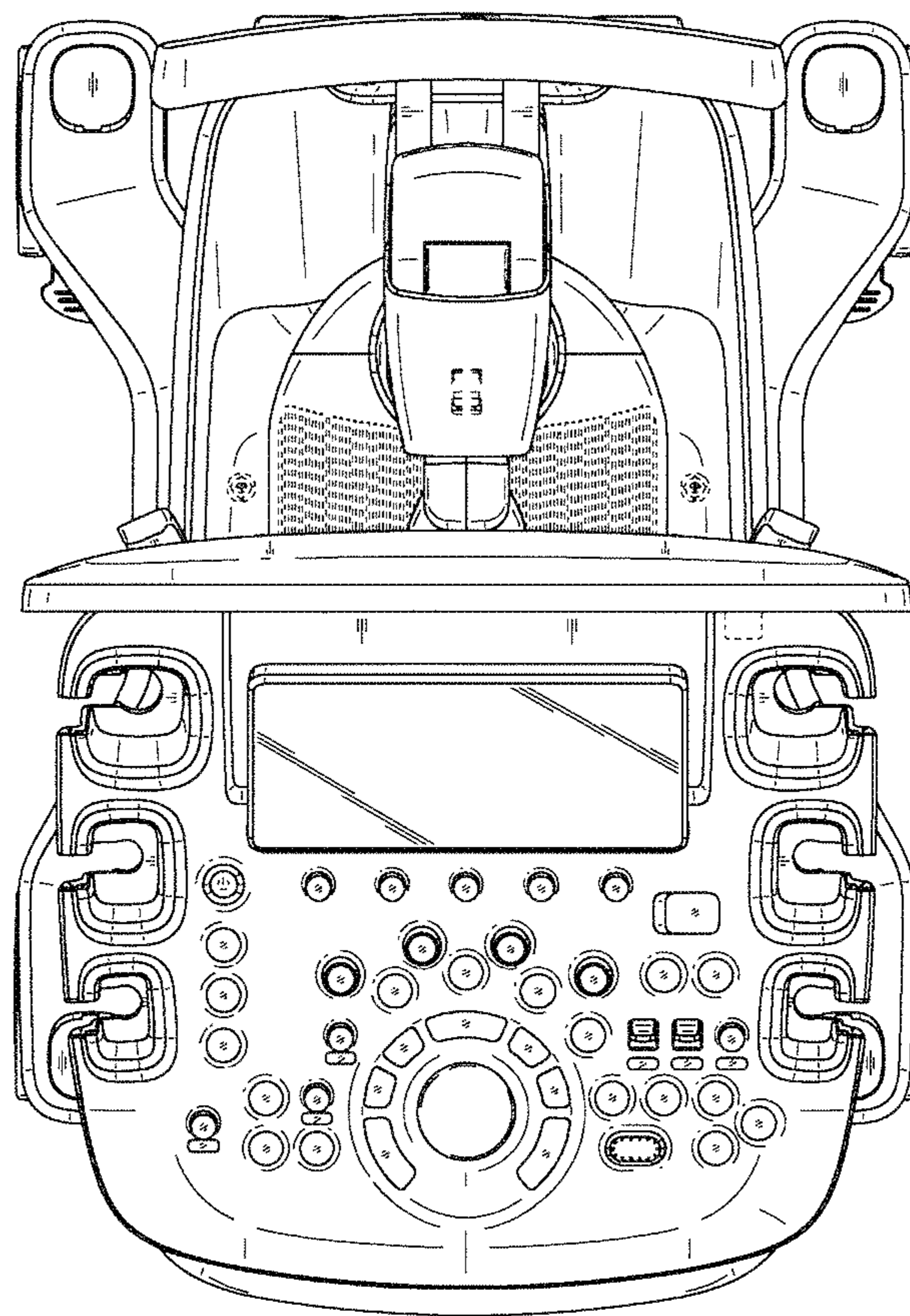


FIG. 7

