



US00D804671S

(12) **United States Design Patent** (10) **Patent No.:** **US D804,671 S**
Yanase et al. (45) **Date of Patent:** **** Dec. 5, 2017**

(54) **ULTRASOUND DIAGNOSIS APPARATUS**

D743,558 S * 11/2015 Kim D24/158
2013/0190624 A1* 7/2013 Beger A61B 8/42
600/443
2014/0098049 A1* 4/2014 Koch G06F 3/016
345/173

(71) Applicant: **Hitachi, Ltd.**, Chiyoda-ku, Tokyo (JP)

(72) Inventors: **Kazuyuki Yanase**, Tokyo (JP);
Katsumi Usami, Tokyo (JP); **Toshiyuki Senda**, Tokyo (JP); **Masaru Ichimura**, Tokyo (JP); **Taisuke Matsushita**, Tokyo (JP); **Naoyuki Naruse**, Tokyo (JP); **Akinori Sato**, Tokyo (JP)

* cited by examiner

Primary Examiner — Anhdao Doan

(74) *Attorney, Agent, or Firm* — Crowell & Moring LLP

(73) Assignee: **Hitachi, Ltd.**, Tokyo (JP)

(57) **CLAIM**

The ornamental design for an ultrasound diagnosis apparatus, as shown and described.

(**) Term: **15 Years**

DESCRIPTION

(21) Appl. No.: **29/554,327**

This application contains subject matter related to the following co-pending U.S. design patent applications: Application No. 29/554,328, filed herewith and entitled “Ultrasound Diagnosis Apparatus”; and Application No. 29/554,329, filed herewith and entitled “Ultrasound Diagnosis Apparatus”.

(22) Filed: **Feb. 10, 2016**

(30) **Foreign Application Priority Data**

Aug. 26, 2015 (JP) 2015-018724

(51) **LOC (10) Cl.** **24-01**

(52) **U.S. Cl.**
USPC **D24/160**

(58) **Field of Classification Search**
USPC D24/158–161, 185, 186, 107
CPC ... A61B 6/4405; A61B 6/4411; A61B 6/4435;
A61B 6/4441; A61B 6/4447; A61B
8/4405; A61B 8/4411; A61B 8/4427;
A61B 8/462; A61B 8/0437; A61B 8/0883
See application file for complete search history.

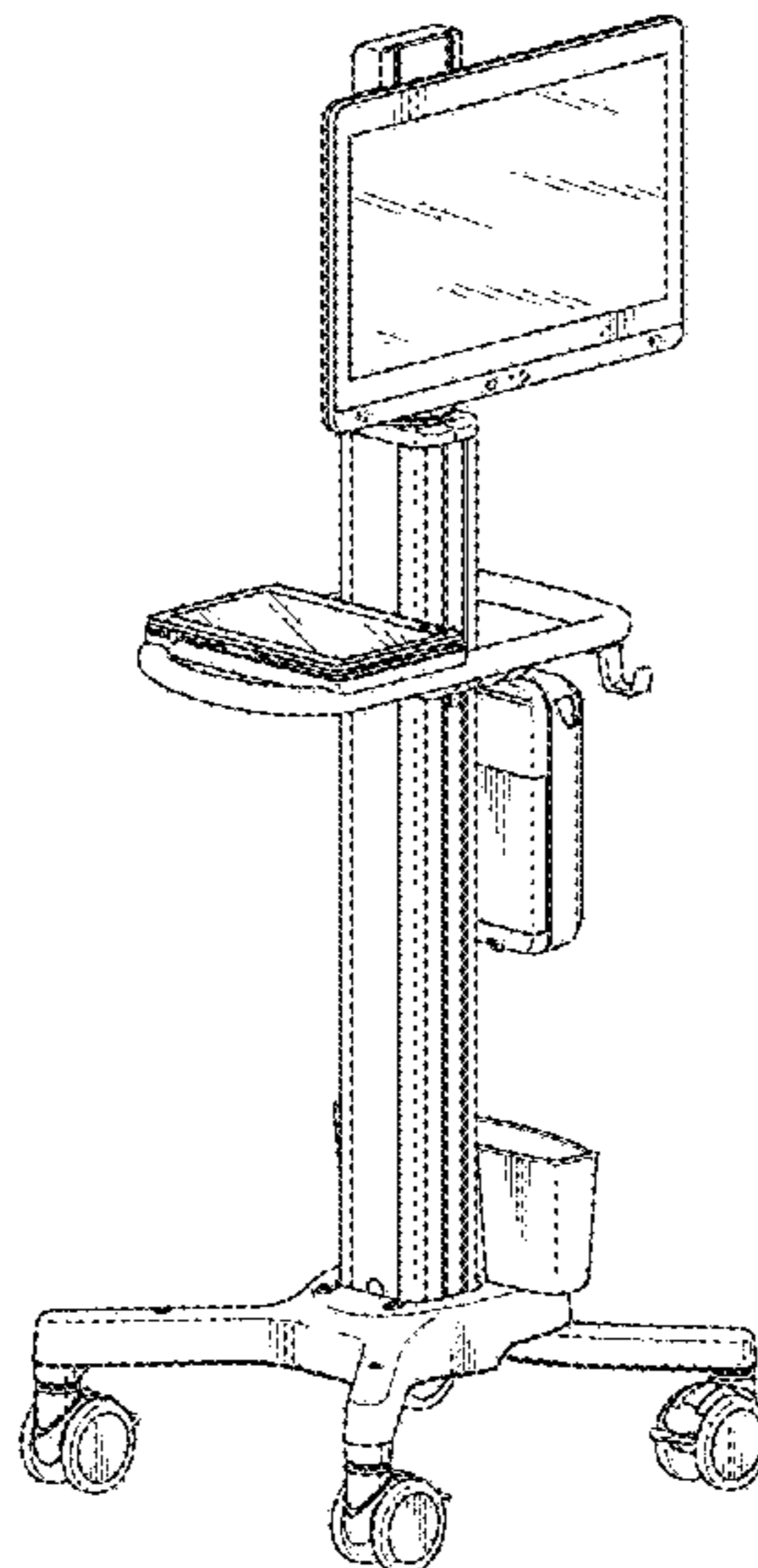
FIG. 1 is a front and right side perspective view of an ultrasound diagnosis apparatus according to the design; FIG. 2 is a front and left side perspective view thereof; FIG. 3 is a rear and right side perspective view thereof; FIG. 4 is a rear and left side perspective view thereof; FIG. 5 is a front elevational view thereof; FIG. 6 is a right side elevational view thereof; FIG. 7 is a left side elevational view thereof; FIG. 8 is a top plan view thereof; FIG. 9 is a bottom plan view thereof; FIG. 10 is a rear elevational view thereof; FIG. 11 is a front view thereof in which the touch panel is raised and tilted downward; FIG. 12 is a front, perspective view thereof in which the touch panel is pivoted 90 degrees to the front; and, FIG. 13 is a front, perspective view thereof in which the touch panel is pivoted 90 degrees to the rear.

(56) **References Cited**

U.S. PATENT DOCUMENTS

D559,390 S * 1/2008 Diener D24/186
D712,037 S * 8/2014 Hansen D24/158
D712,539 S * 9/2014 Hansen D24/158
D712,540 S * 9/2014 Hansen D24/158

1 Claim, 13 Drawing Sheets



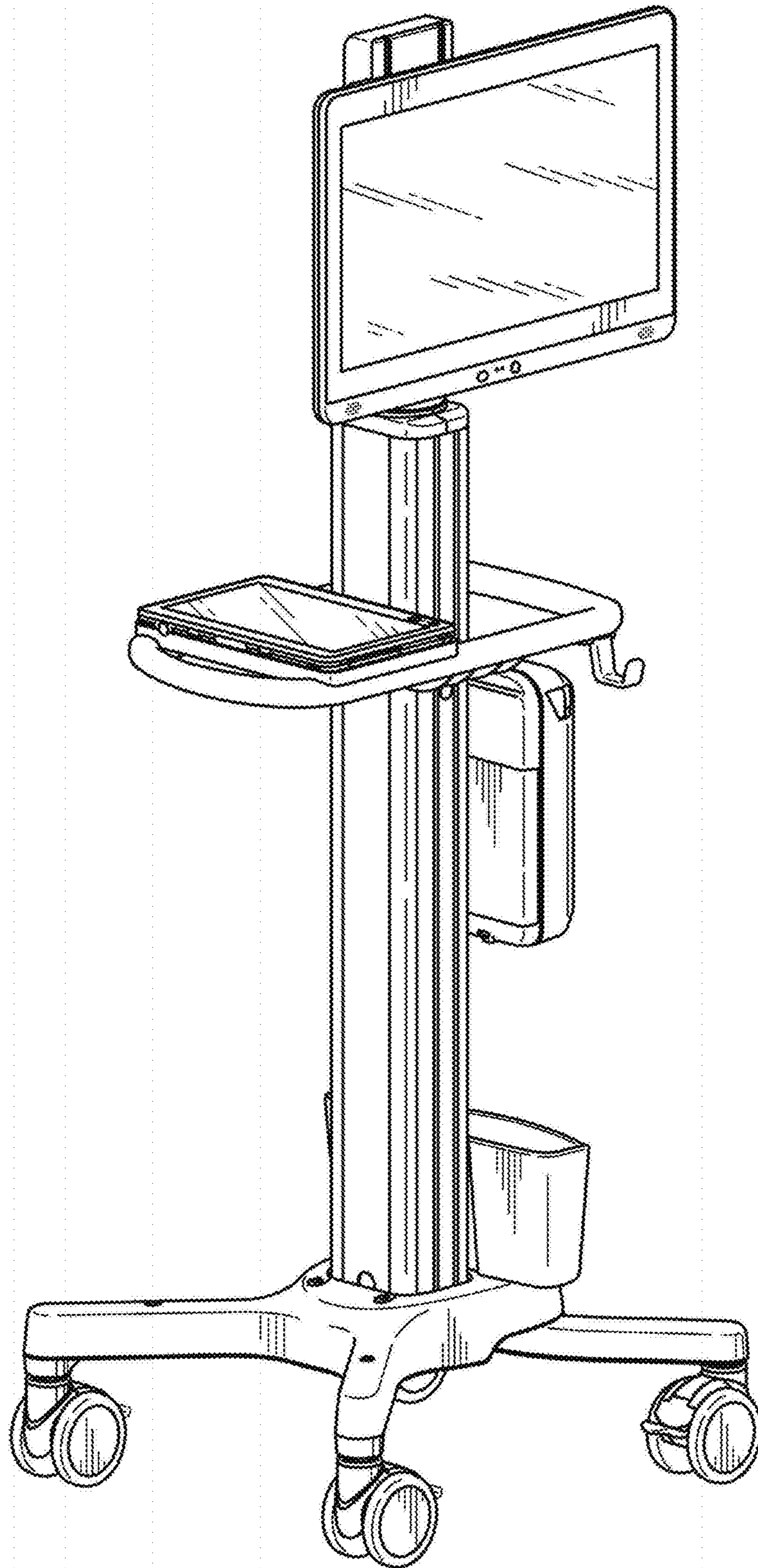


FIG. 1

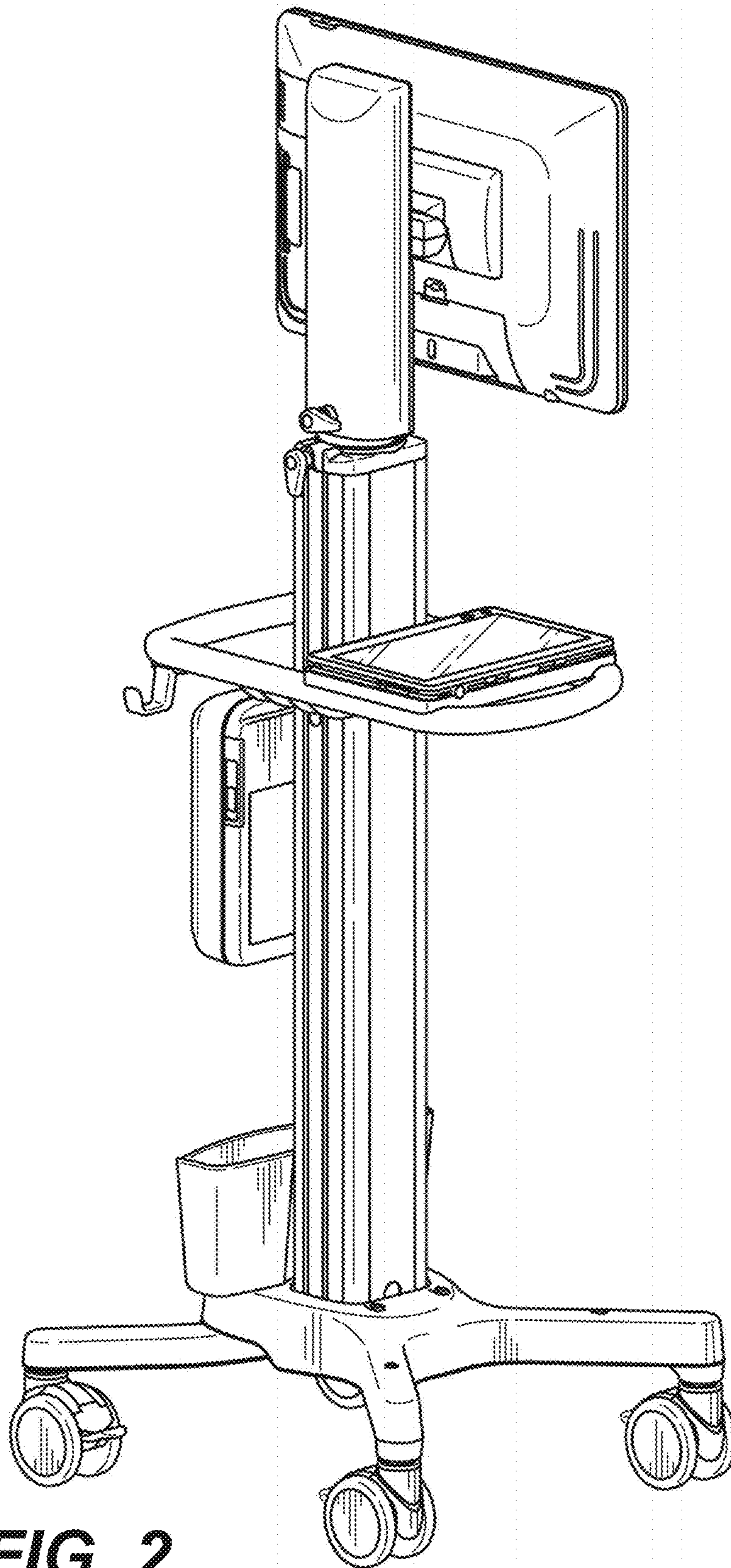


FIG. 2

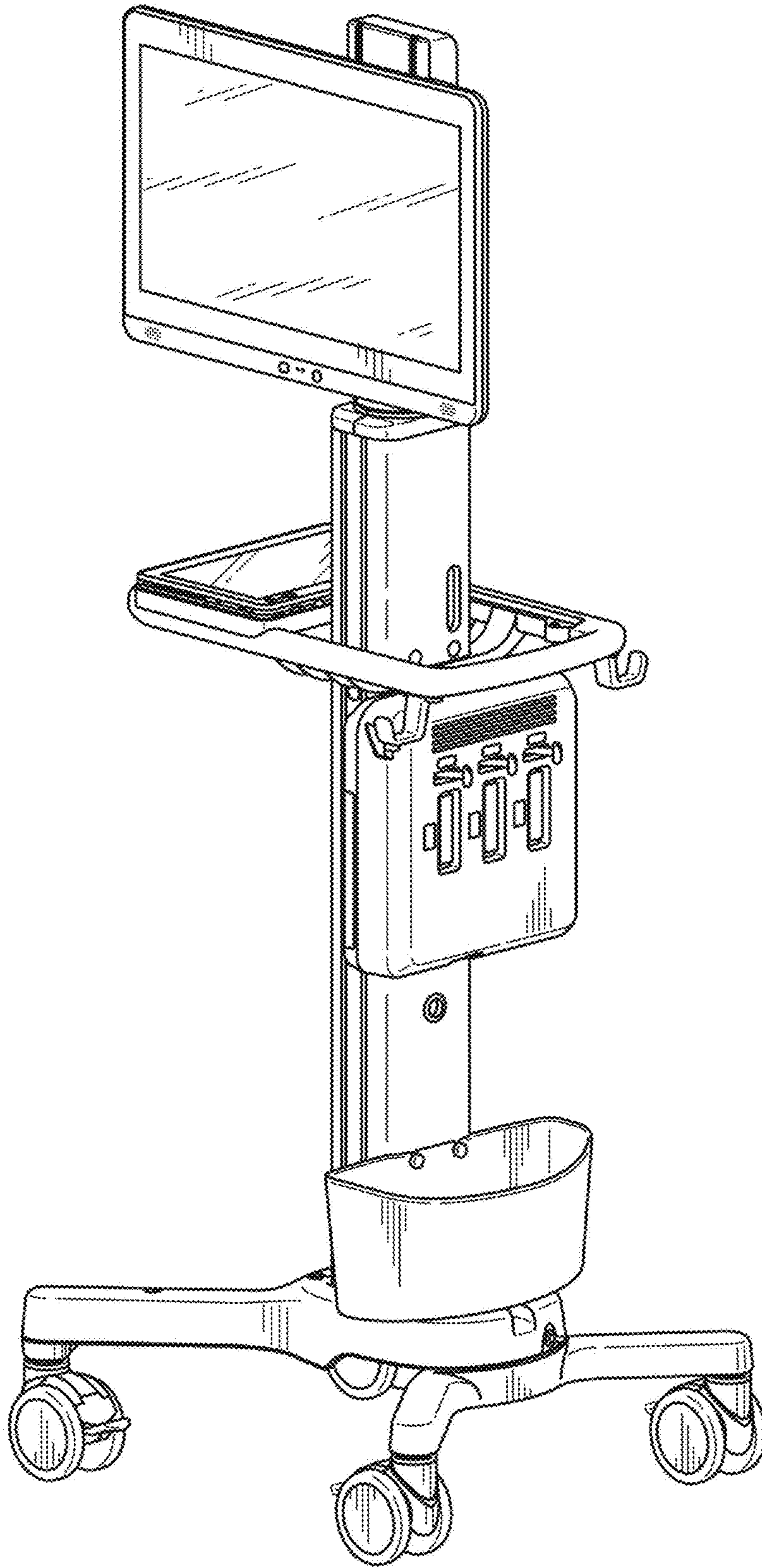


FIG. 3

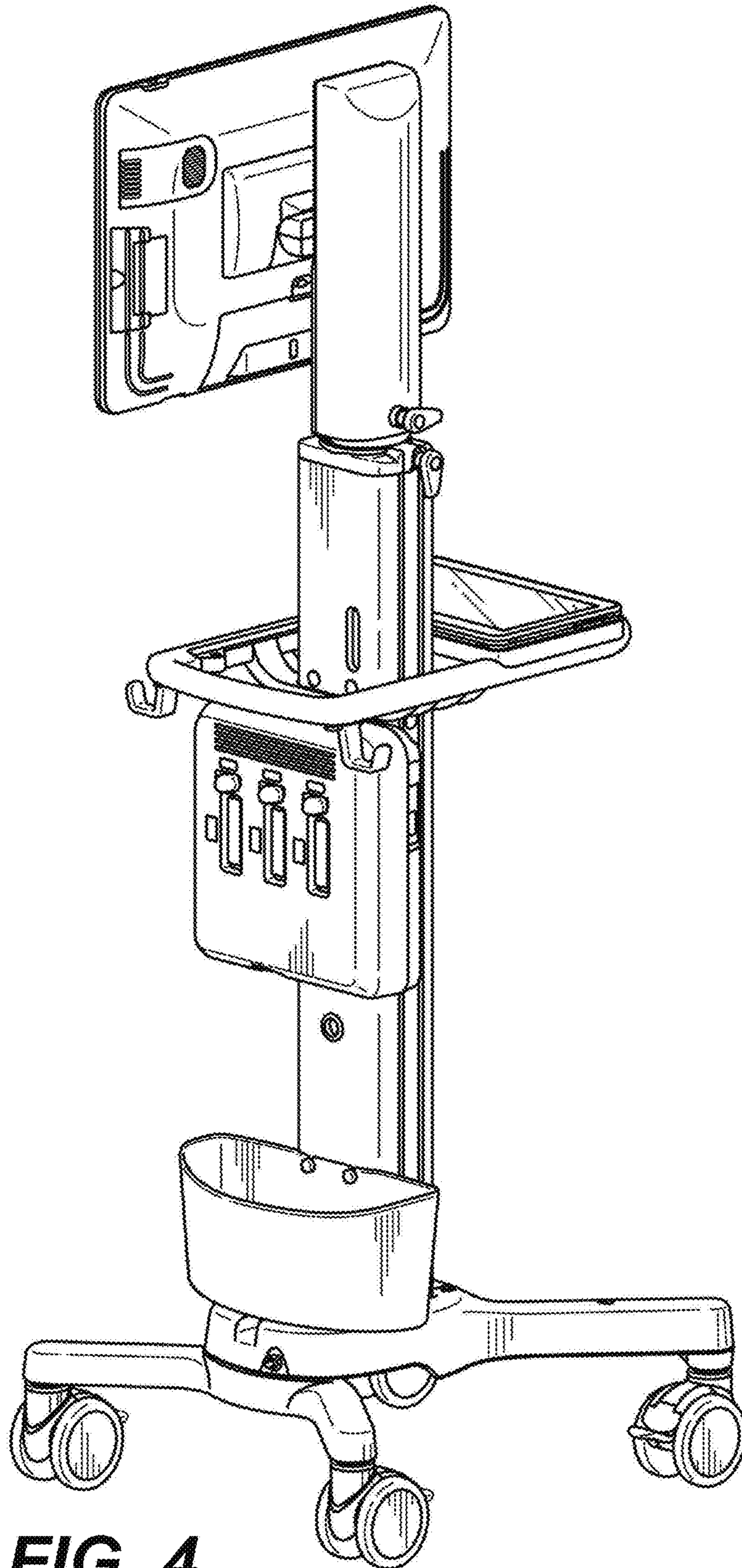


FIG. 4

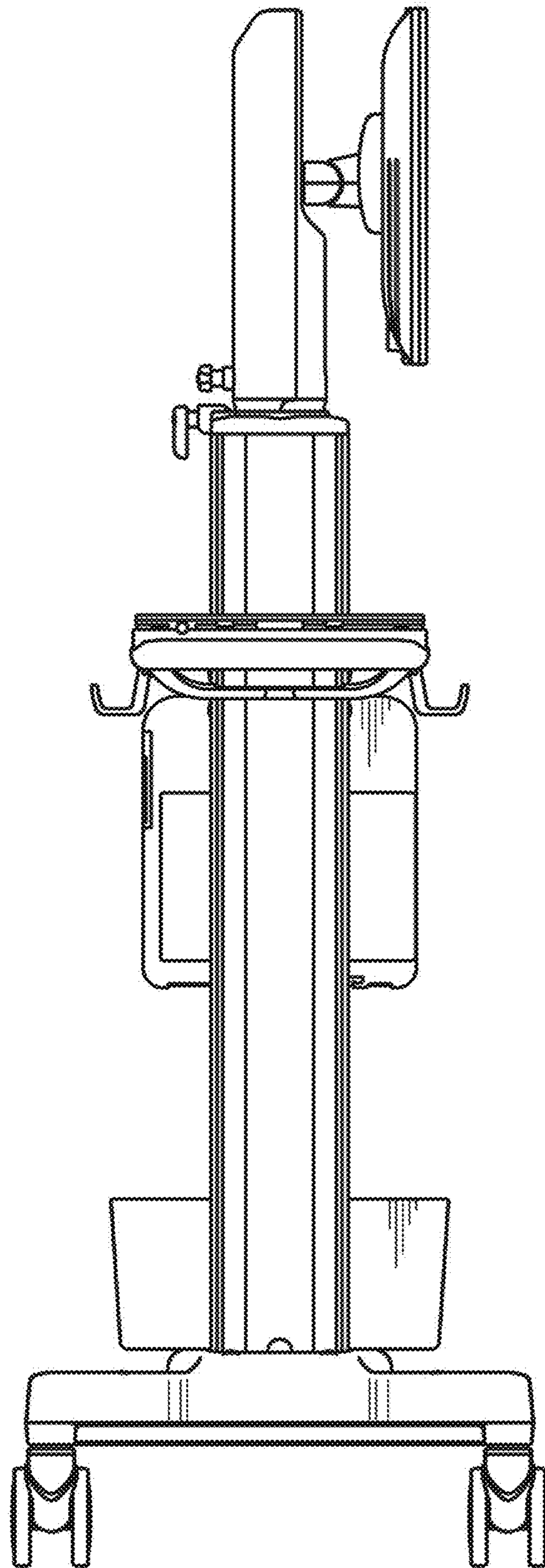


FIG. 5

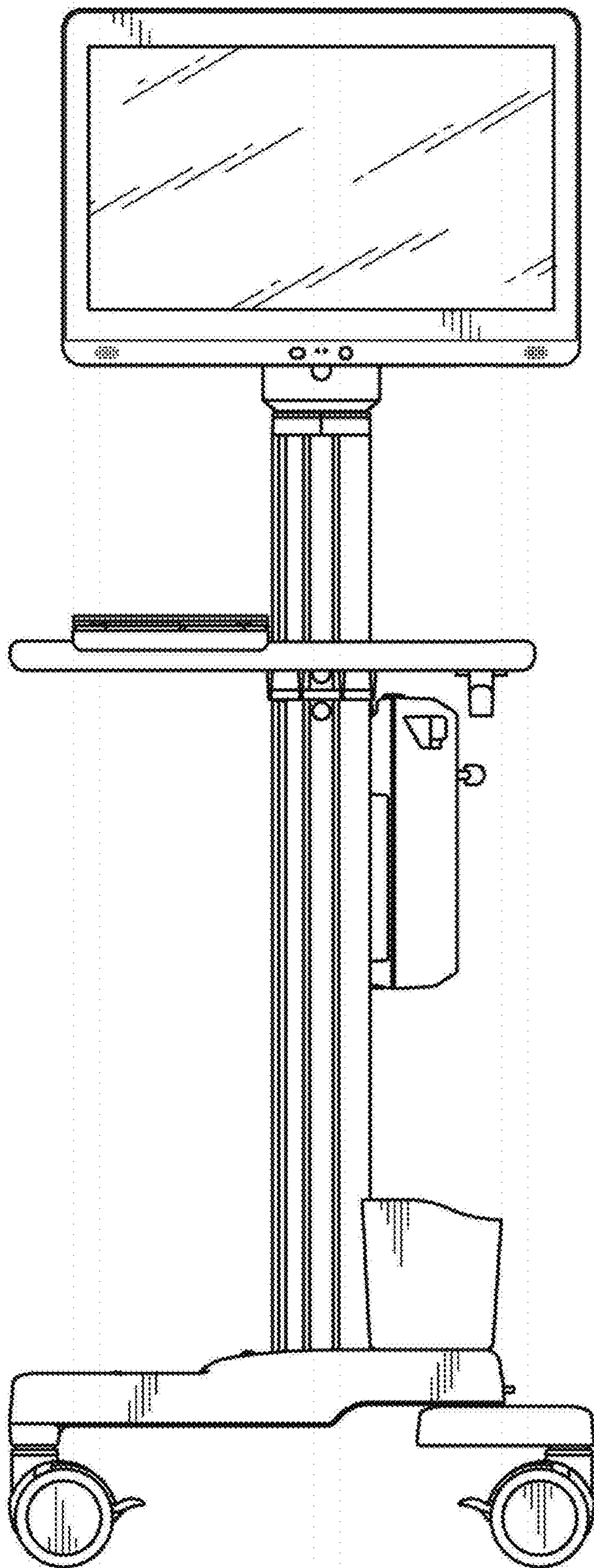


FIG. 6

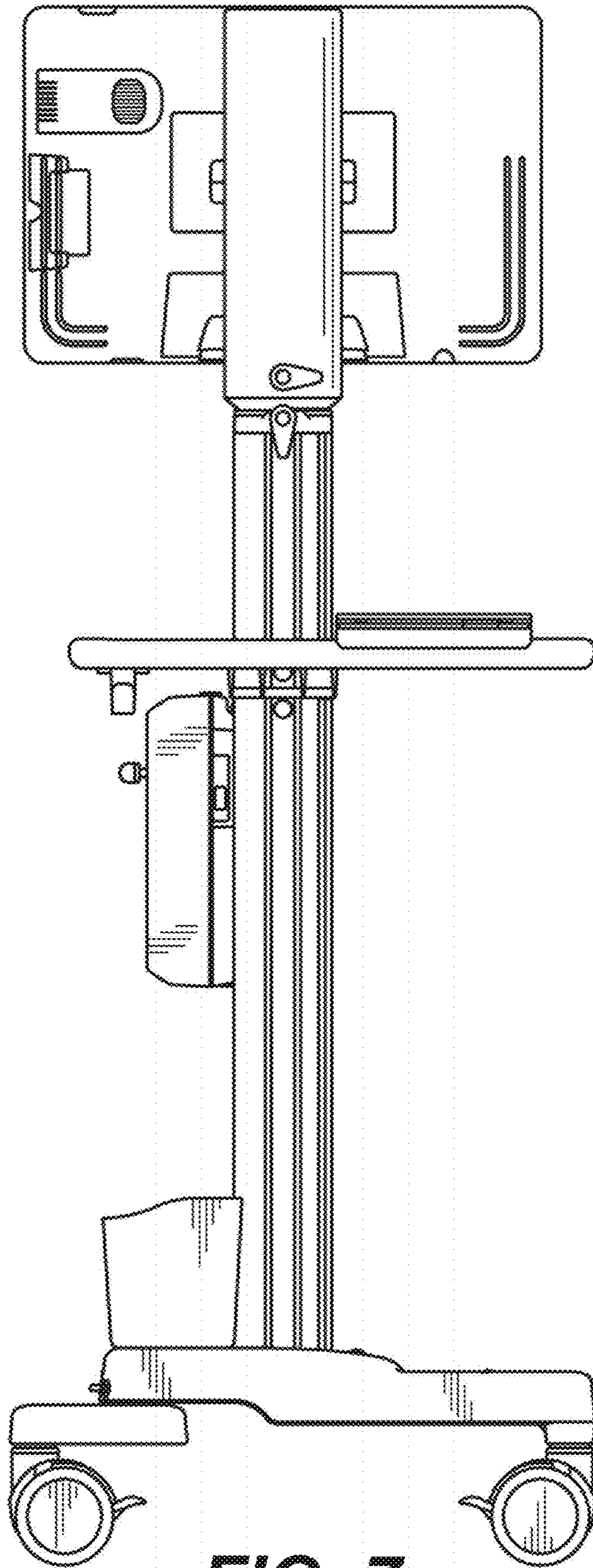


FIG. 7

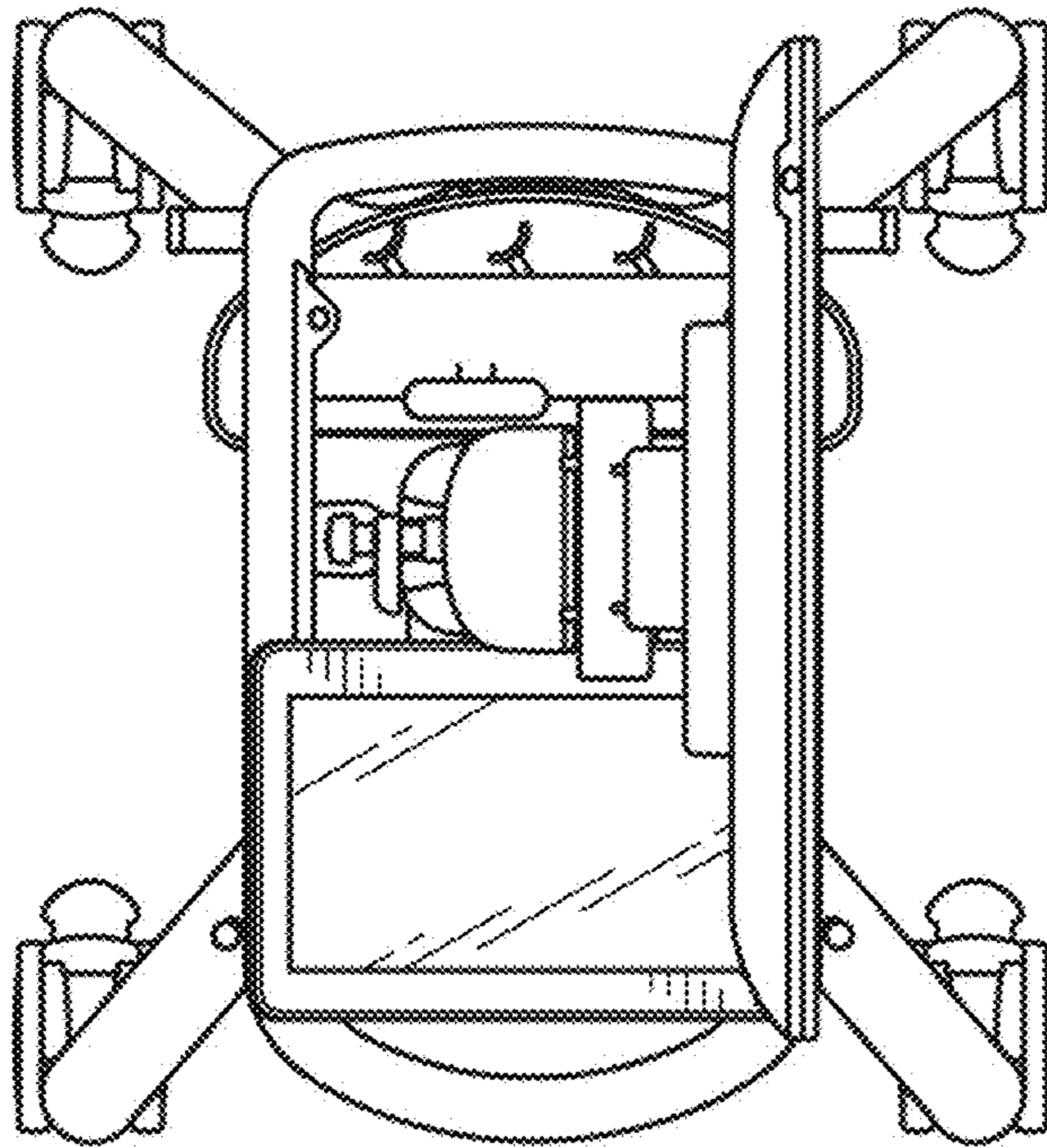


FIG. 8

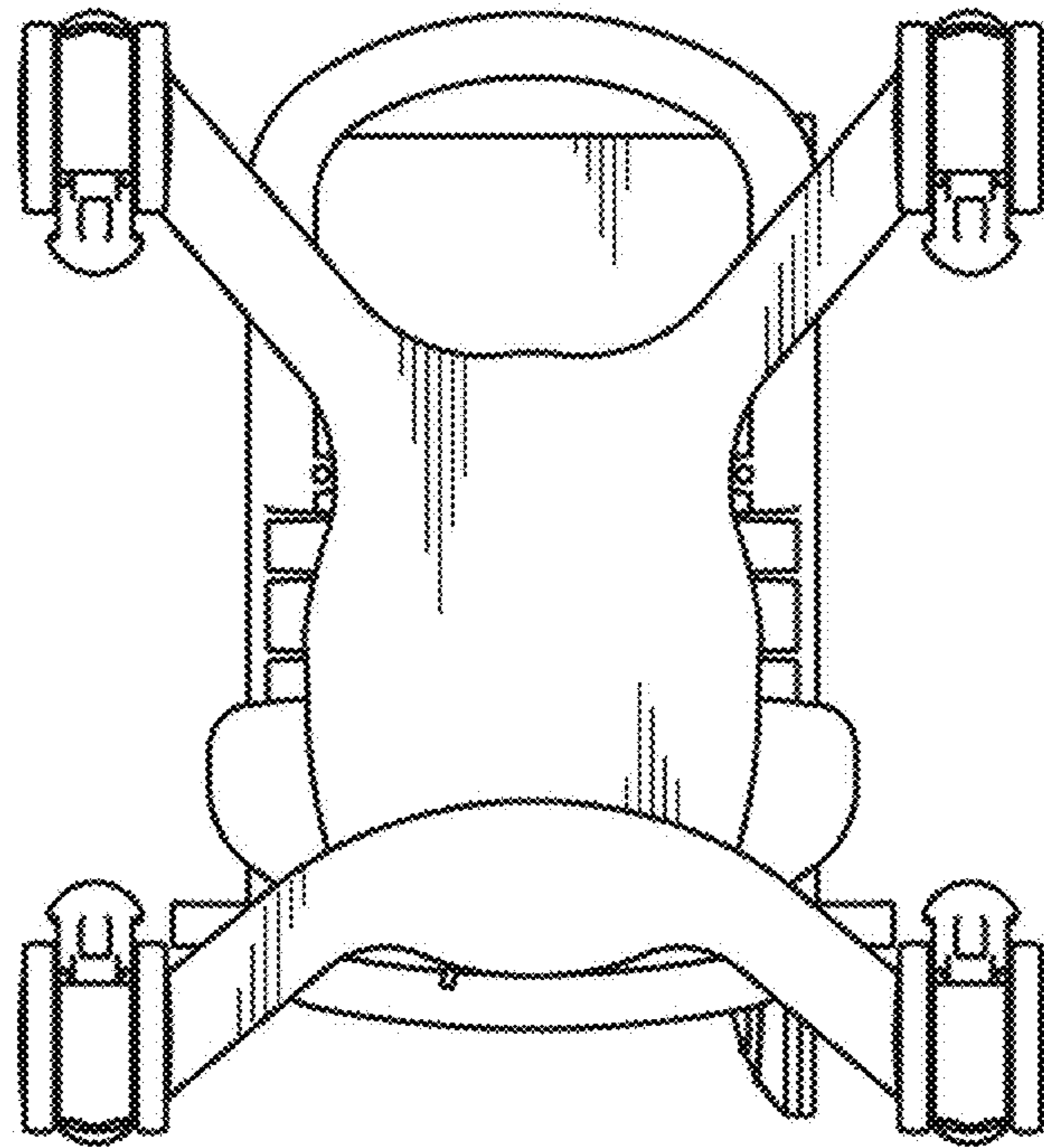


FIG. 9

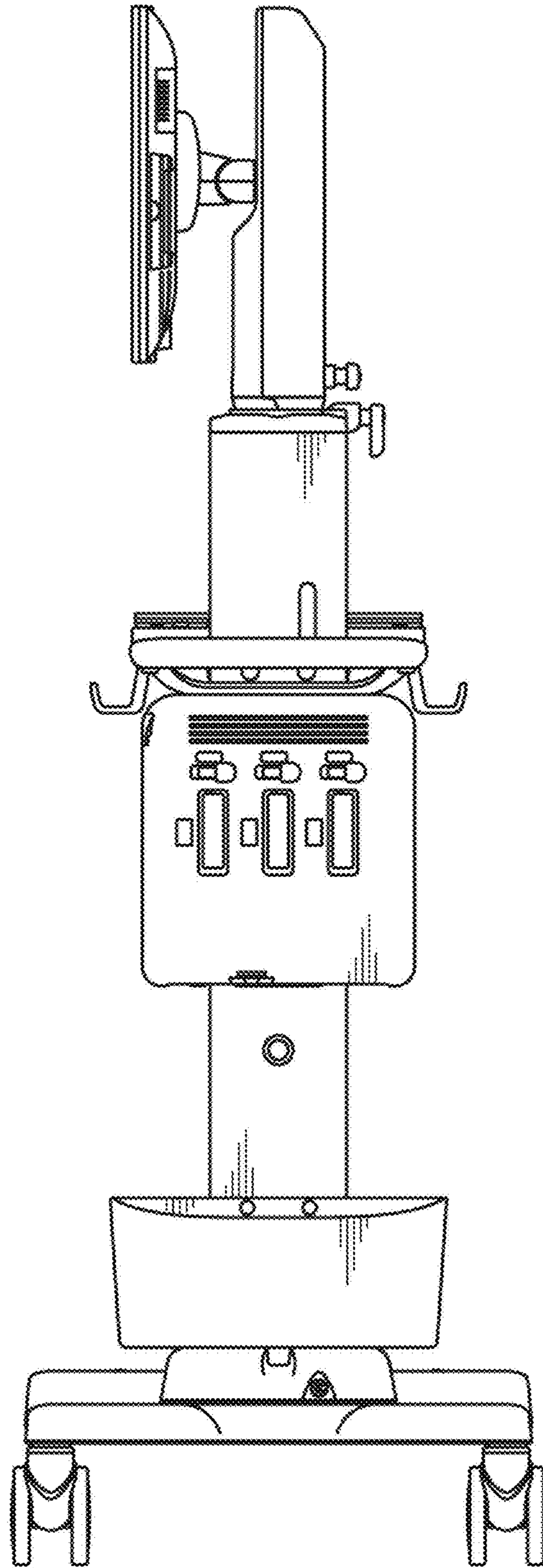


FIG. 10

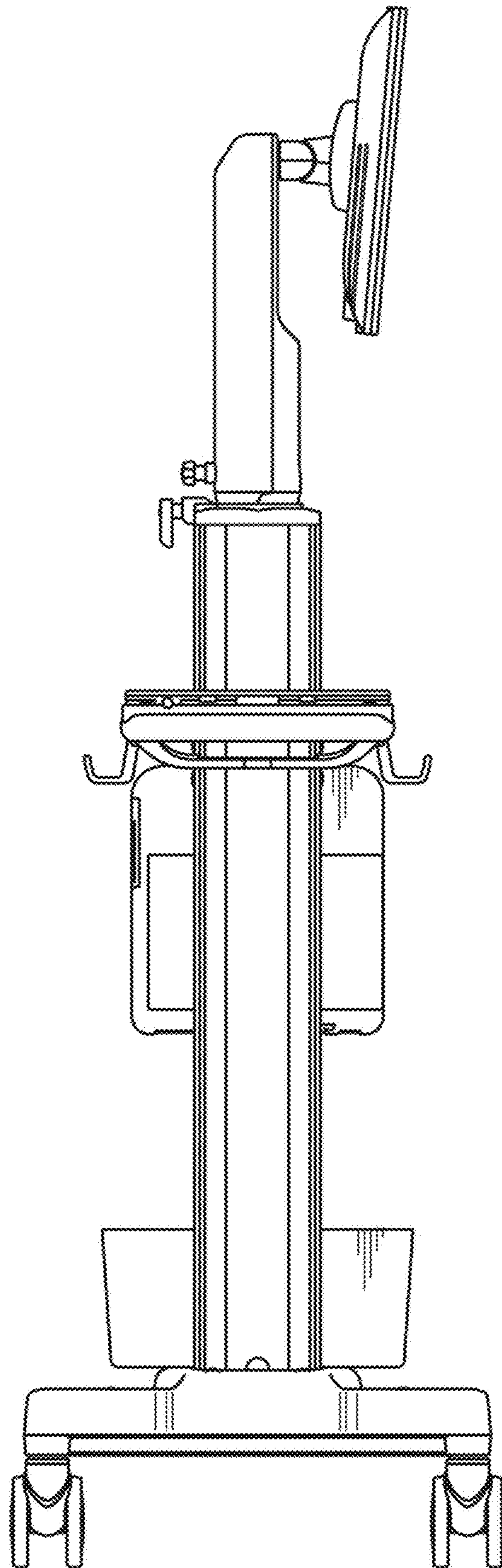


FIG. 11

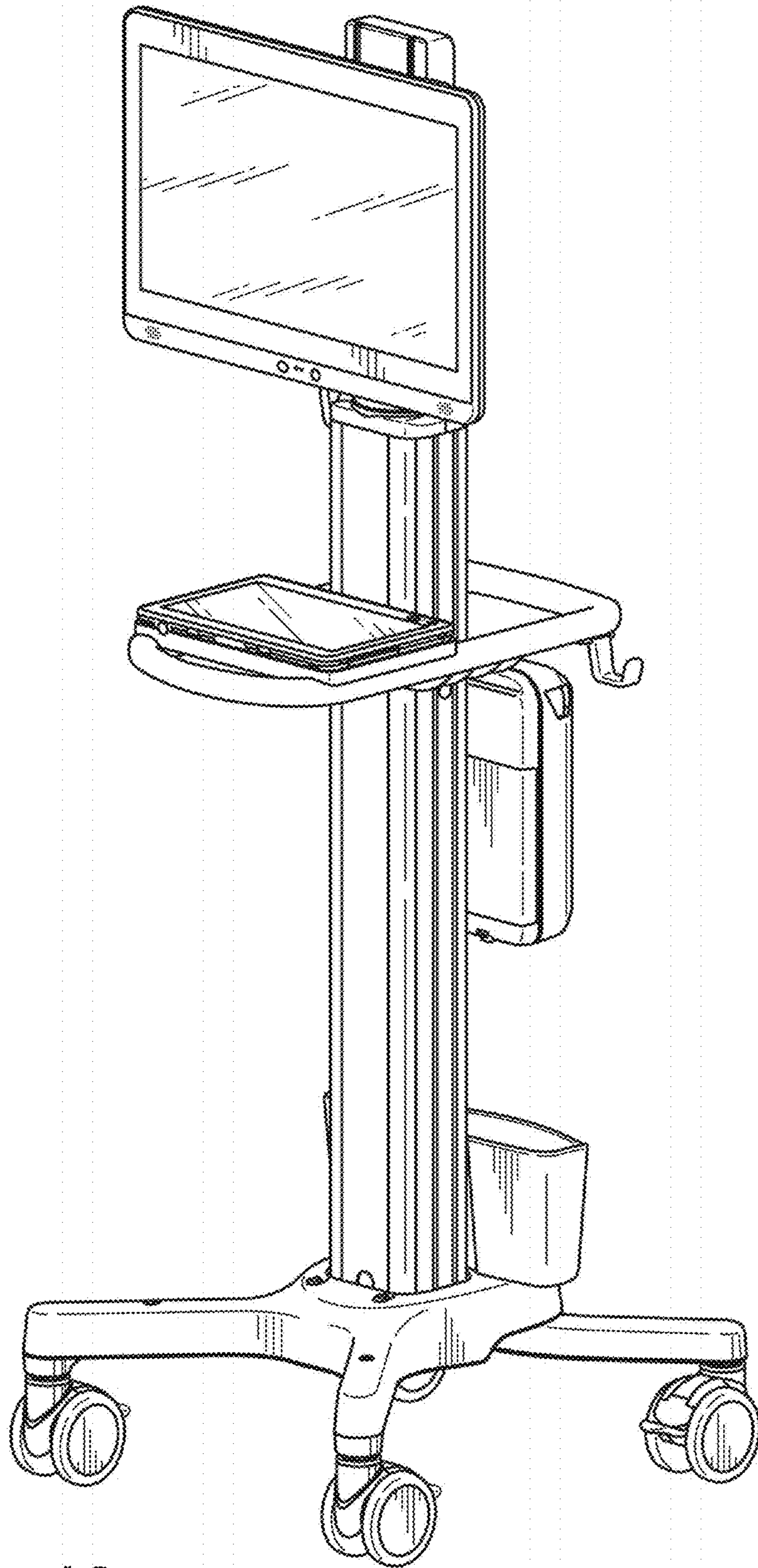


FIG. 12

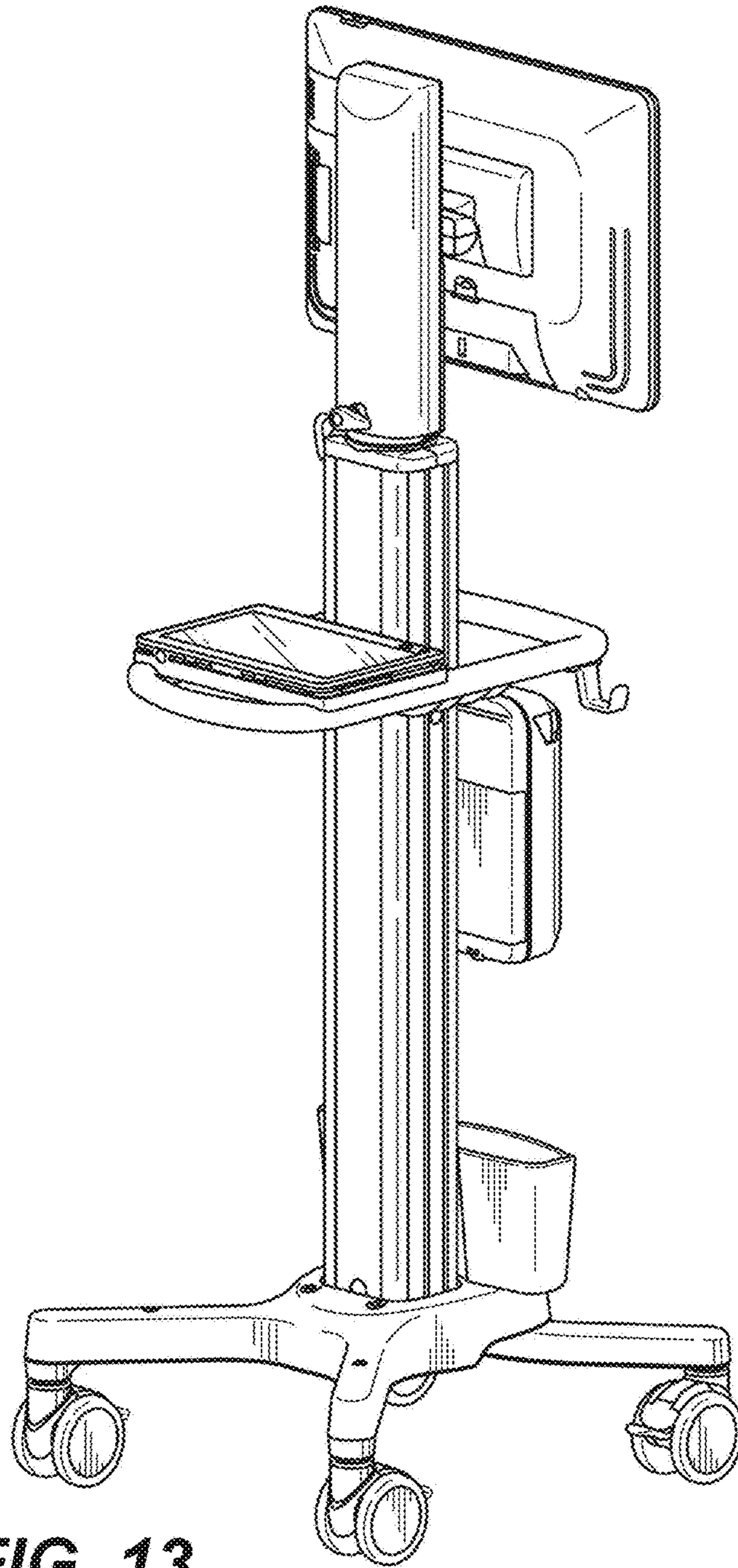


FIG. 13