



US00D804670S

(12) **United States Design Patent** (10) **Patent No.:** **US D804,670 S**
Zhao et al. (45) **Date of Patent:** **** Dec. 5, 2017**

(54) **HUMAN BODY SAFETY INSPECTION INSTRUMENT**
(71) Applicants: **TSINGHUA UNIVERSITY**, Beijing (CN); **NUCTECH COMPANY LIMITED**, Beijing (CN)
(72) Inventors: **Ziran Zhao**, Beijing (CN); **Wanlong Wu**, Beijing (CN); **Yingkang Jin**, Beijing (CN); **Guangwei Ding**, Beijing (CN); **Ming Ruan**, Beijing (CN)

D657,058 S * 4/2012 Awad D24/158
D667,555 S * 9/2012 Boudier D24/158
8,971,486 B2 * 3/2015 Scholling G01N 23/02
378/146
2013/0126738 A1 * 5/2013 Jeck G01S 7/04
250/349
2014/0185772 A1 * 7/2014 Chen G01T 1/167
378/87
2014/0185773 A1 * 7/2014 Chen G01V 5/0025
378/87

(Continued)

(73) Assignees: **TSINGHUA UNIVERSITY**, Beijing (CN); **NUCTECH COMPANY LIMITED**, Beijing (CN)

(**) Term: **15 Years**
(21) Appl. No.: **29/567,397**
(22) Filed: **Jun. 8, 2016**

(30) **Foreign Application Priority Data**

Dec. 11, 2015 (CN) 2015 3 0522087

(51) **LOC (10) Cl.** **24-01**

(52) **U.S. Cl.**
USPC **D24/158**

(58) **Field of Classification Search**
USPC D24/107, 158-161, 185, 186, 187, 231;
D16/215; D25/16
CPC A61B 56/4405; A61B 56/4411;
G01N 23/02; G01N 23/04; G01N 23/046;
G01V 5/0016
See application file for complete search history.

(56) **References Cited**

U.S. PATENT DOCUMENTS

D334,980 S * 4/1993 Pritchard D24/158
7,703,979 B2 * 4/2010 Chen A61B 6/4429
378/193

OTHER PUBLICATIONS

Examiner's Report of Canadian Patent Application for Registration of an Industrial Design, dated Jun. 30, 2016.

Primary Examiner — Anhdao Doan
(74) *Attorney, Agent, or Firm* — Knobbe Martens Olson & Bear LLP

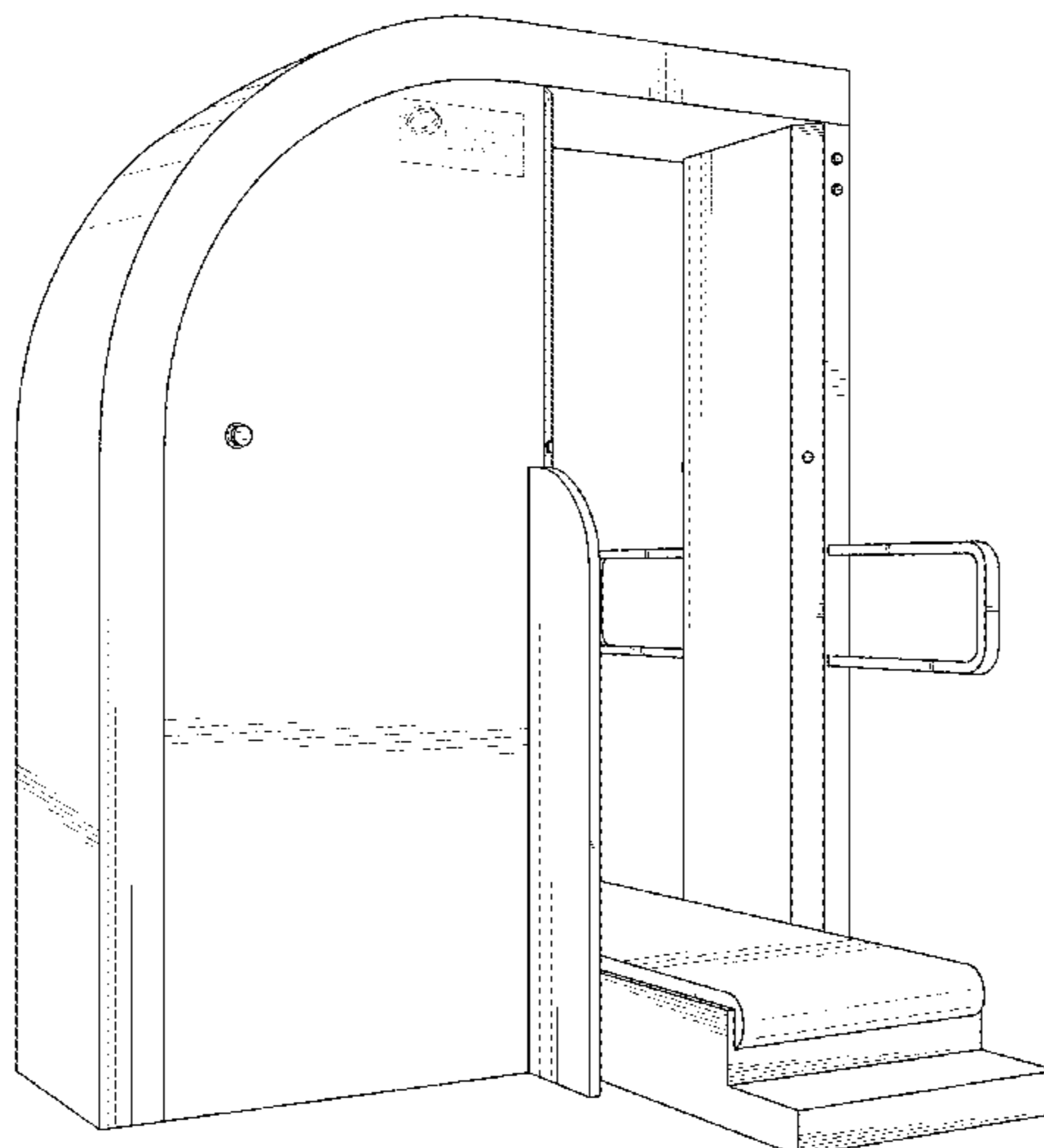
(57) **CLAIM**

The ornamental design for a human body safety inspection instrument, as shown and described.

DESCRIPTION

FIG. 1 is a first perspective view of a human body safety inspection instrument, showing our new design. FIG. 2 is a second perspective view thereof. FIG. 3 is a right side elevational view thereof. FIG. 4 is a left side elevational view thereof. FIG. 5 is a front elevational view thereof. FIG. 6 is a rear elevational view thereof; and, FIG. 7 is a top plan view thereof. The broken lines shown in FIGS. 1-2 and 5-6 illustrate optional surface ornamentation for the human body safety inspection instrument that forms no part of the claimed design. A bottom plan view of the human body safety inspection instrument is not normally seen during use and forms no part of the claimed design, has therefore been omitted.

1 Claim, 7 Drawing Sheets



(56)

References Cited

U.S. PATENT DOCUMENTS

2015/0048251 A1* 2/2015 Chen G01V 8/20
250/349
2016/0051211 A1* 2/2016 Linev A61B 6/4405
378/62

* cited by examiner

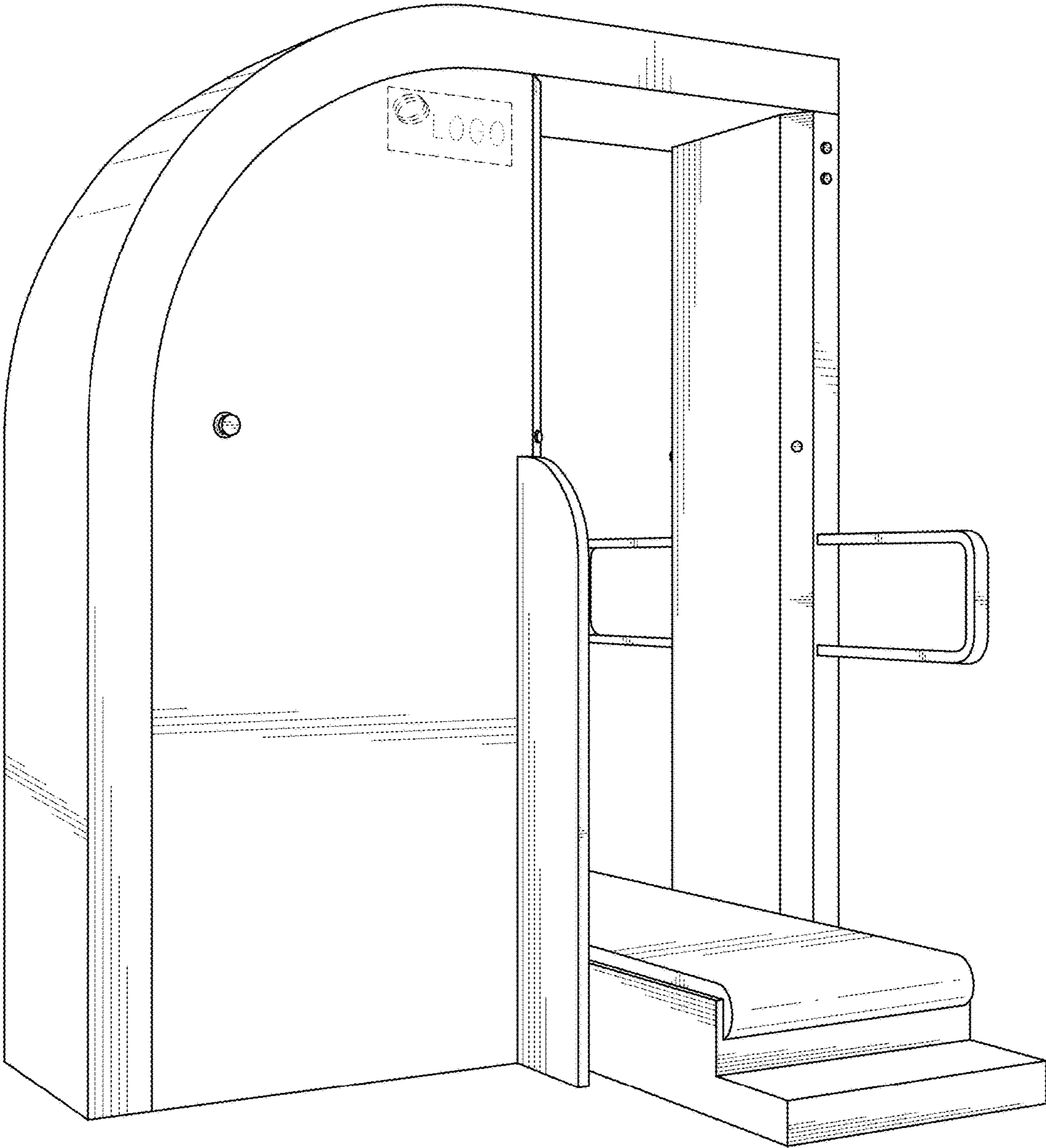


FIG. 1

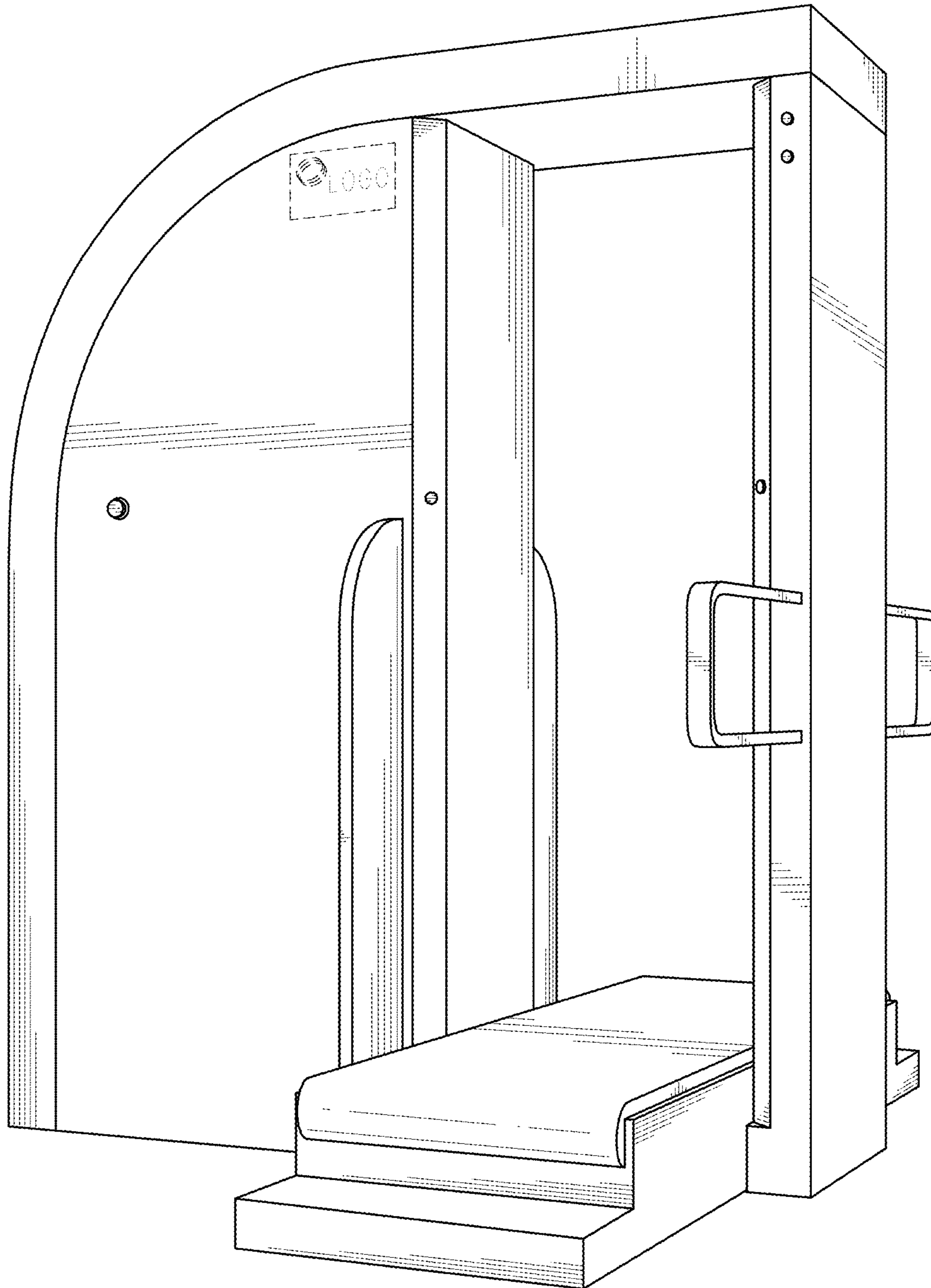


FIG. 2

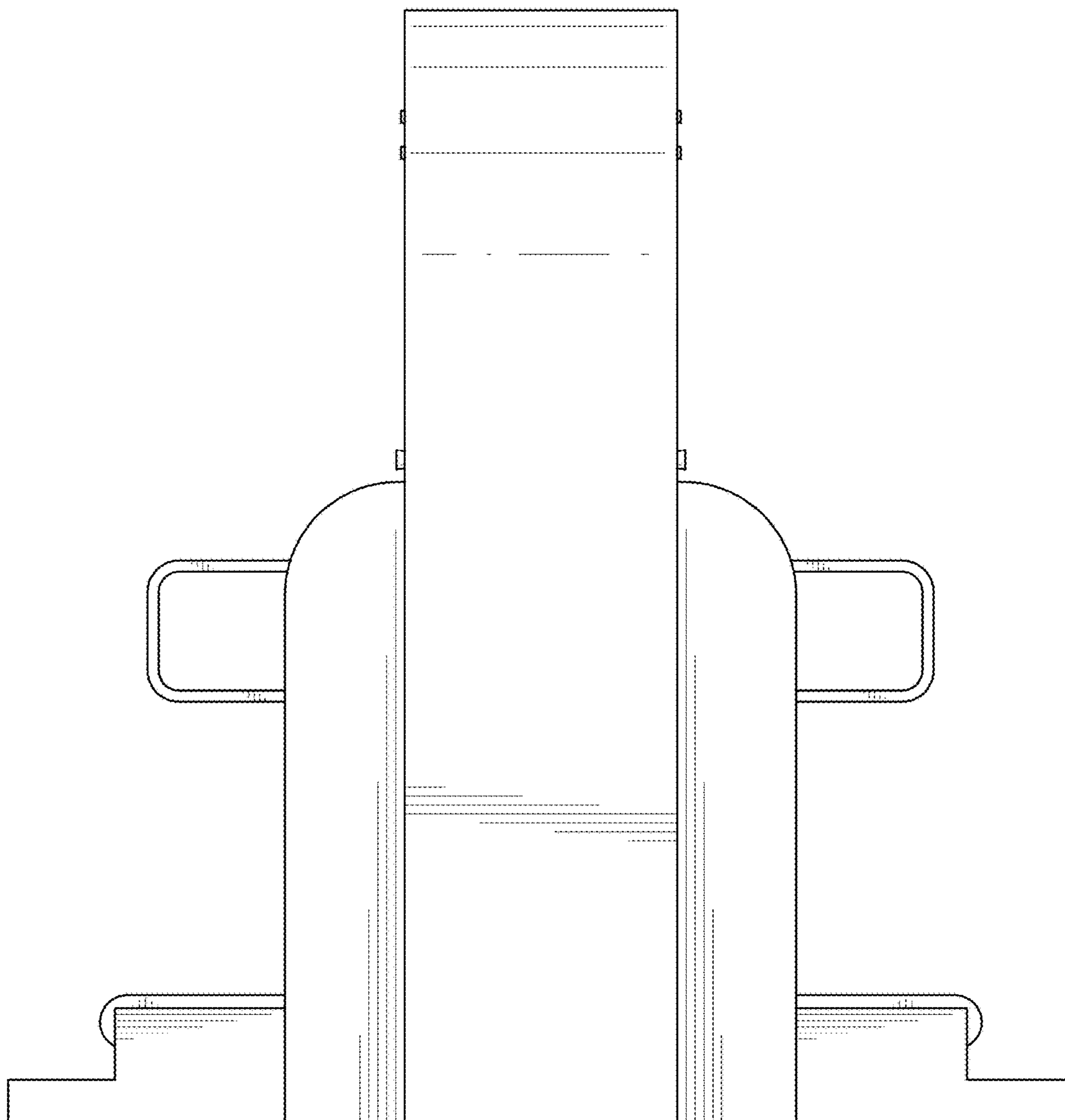


FIG. 3

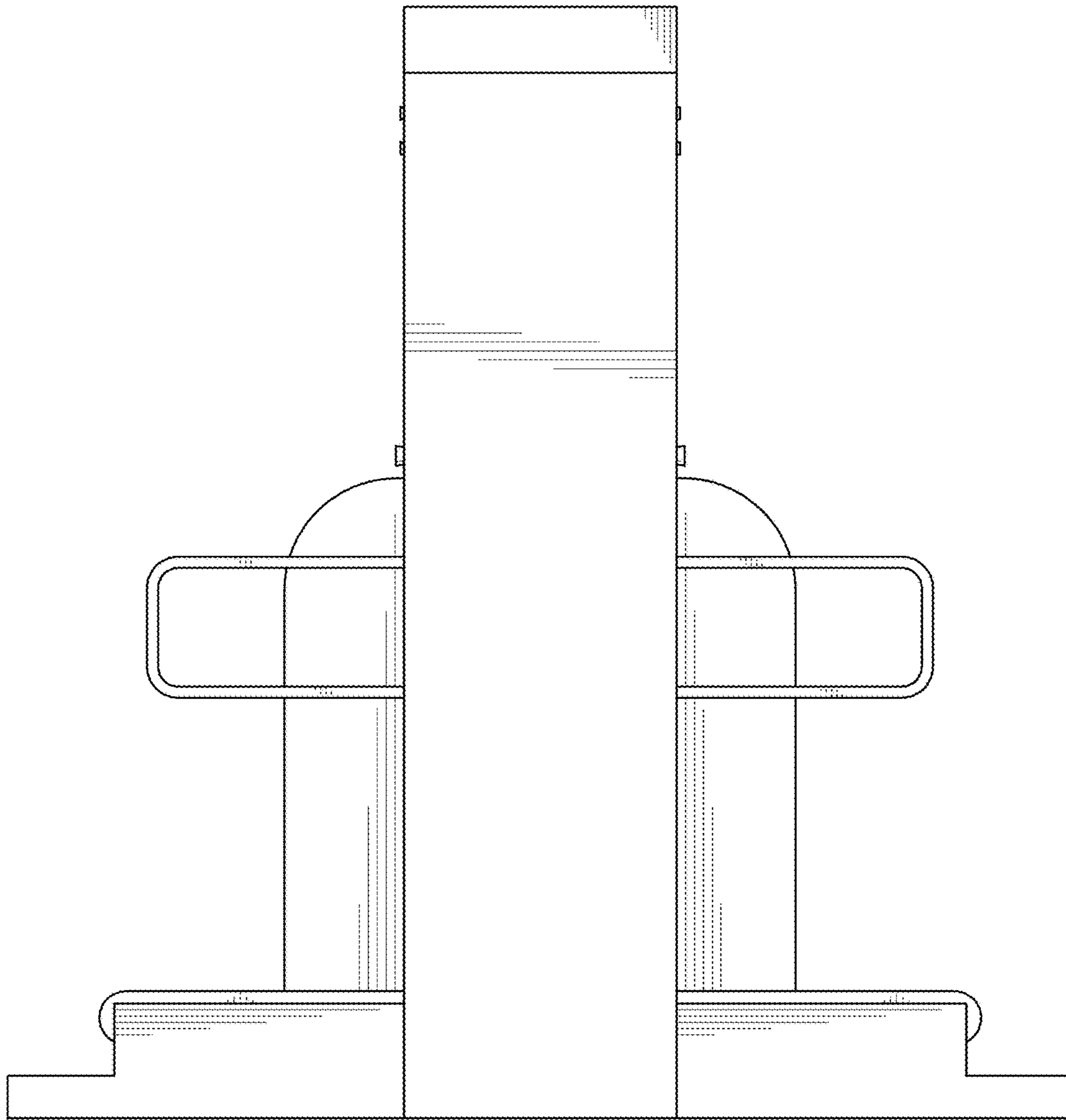


FIG. 4

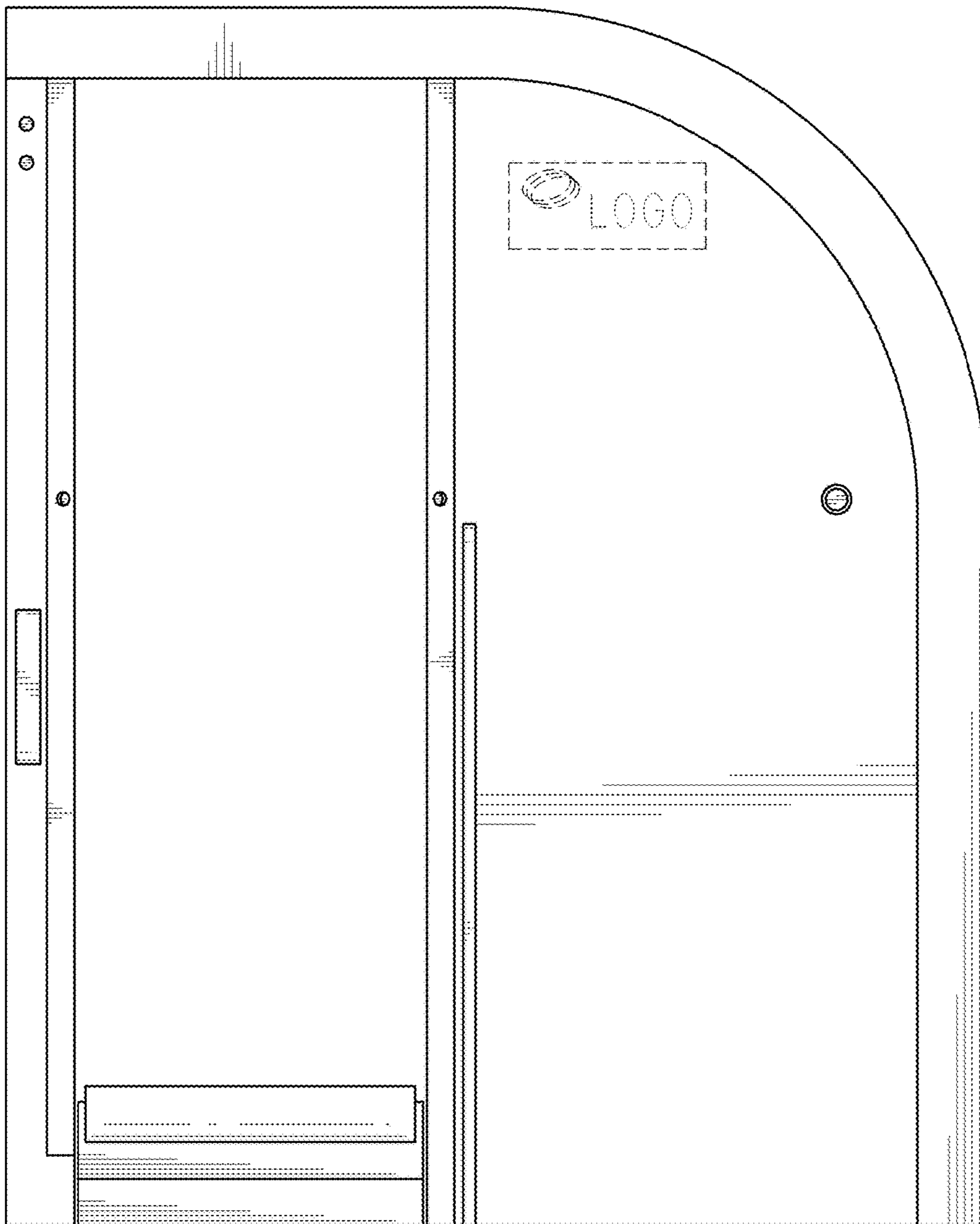


FIG. 5

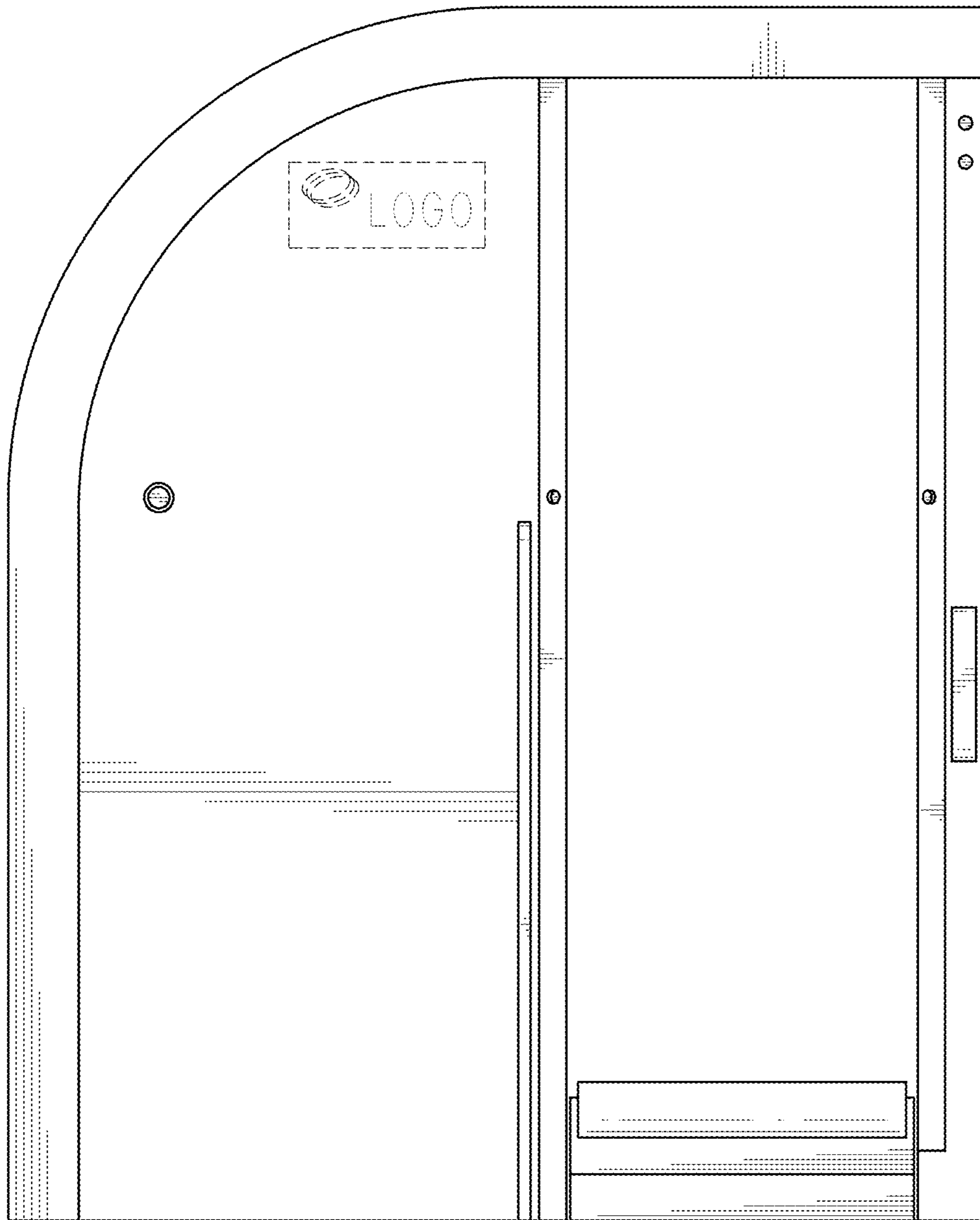


FIG. 6

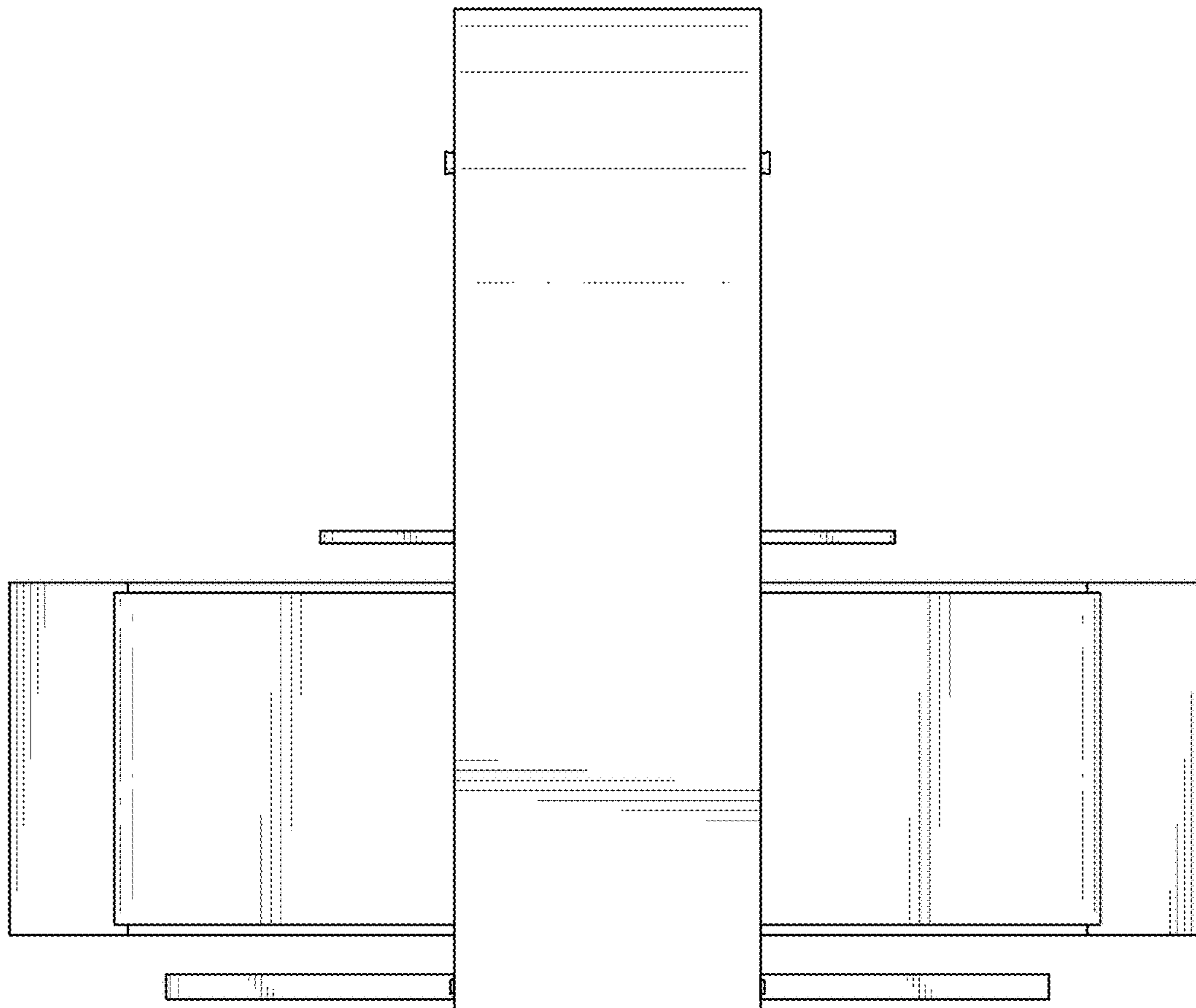


FIG. 7