



US00D804665S

(12) **United States Design Patent** (10) **Patent No.:** **US D804,665 S**
Alexander et al. (45) **Date of Patent:** **** Dec. 5, 2017**

(54) **NASAL DILATOR**

(71) Applicants: **Ian J. Alexander**, Los Alamos, NM (US); **Brian D Owens**, Plano, TX (US)

(72) Inventors: **Ian J. Alexander**, Los Alamos, NM (US); **Brian D Owens**, Plano, TX (US)

(73) Assignee: **SIMPLICITY, LLC**, Springville, UT (US)

(**) Term: **15 Years**

(21) Appl. No.: **29/554,046**

(22) Filed: **Feb. 8, 2016**

Related U.S. Application Data

(62) Division of application No. 29/496,118, filed on Jul. 9, 2014, now Pat. No. Des. 772,408.

(51) **LOC (10) Cl.** **24-02**

(52) **U.S. Cl.**
USPC **D24/137**

(58) **Field of Classification Search**
USPC D24/135, 112, 130, 133, 140, 147, 149;
600/202, 184, 220-227, 201, 203,
600/210-218, 191-200
(Continued)

(56) **References Cited**

U.S. PATENT DOCUMENTS

D238,173 S * 12/1975 Felt D24/149
D379,227 S 5/1997 Rosen
(Continued)

FOREIGN PATENT DOCUMENTS

CN 202179770 U 4/2012
CN 102526868 B 12/2013
(Continued)

OTHER PUBLICATIONS

CN 102526868, Xiuxiang Song—English Translation Jul. 4, 2012.
CN202179770, Yongsheng Tian—English Translation Apr. 4, 2012.

Primary Examiner — Wan Laymon

Assistant Examiner — Mark Booker

(74) *Attorney, Agent, or Firm* — Goodhue, Coleman & Owens, P.C.

(57) **CLAIM**

The ornamental design for a nasal dilator, as shown and described.

DESCRIPTION

FIG. 1 is a perspective view of a nasal dilator showing another one of our new designs;

FIG. 2 is an enlarged view of the left side of the nasal dilator shown in FIG. 1 taken along line 2;

FIG. 3 is an enlarged view of the right side of the nasal dilator shown in FIG. 1 taken along line 3;

FIG. 4 is a front view of the nasal dilator shown in FIG. 1;

FIG. 5 is an enlarged view of the left side of the nasal dilator shown in FIG. 4 taken along line 5;

FIG. 6 is an enlarged view of the right side of the nasal dilator shown in FIG. 4 taken along line 6;

FIG. 7 is a back view of the nasal dilator shown in FIG. 1;

FIG. 8 is an enlarged view of the left side of the nasal dilator shown in FIG. 7 taken along line 8;

FIG. 9 is an enlarged view of the right side of the nasal dilator shown in FIG. 7 taken along line 9;

FIG. 10 is a top view of the nasal dilator shown in FIG. 1;

FIG. 11 is an enlarged view of the left side of the nasal dilator shown in FIG. 10 taken along line 11;

FIG. 12 is an enlarged view of the right side of the nasal dilator shown in FIG. 10 taken along line 12;

FIG. 13 is an enlarged end view of the right side of the nasal dilator shown in FIG. 1;

(Continued)

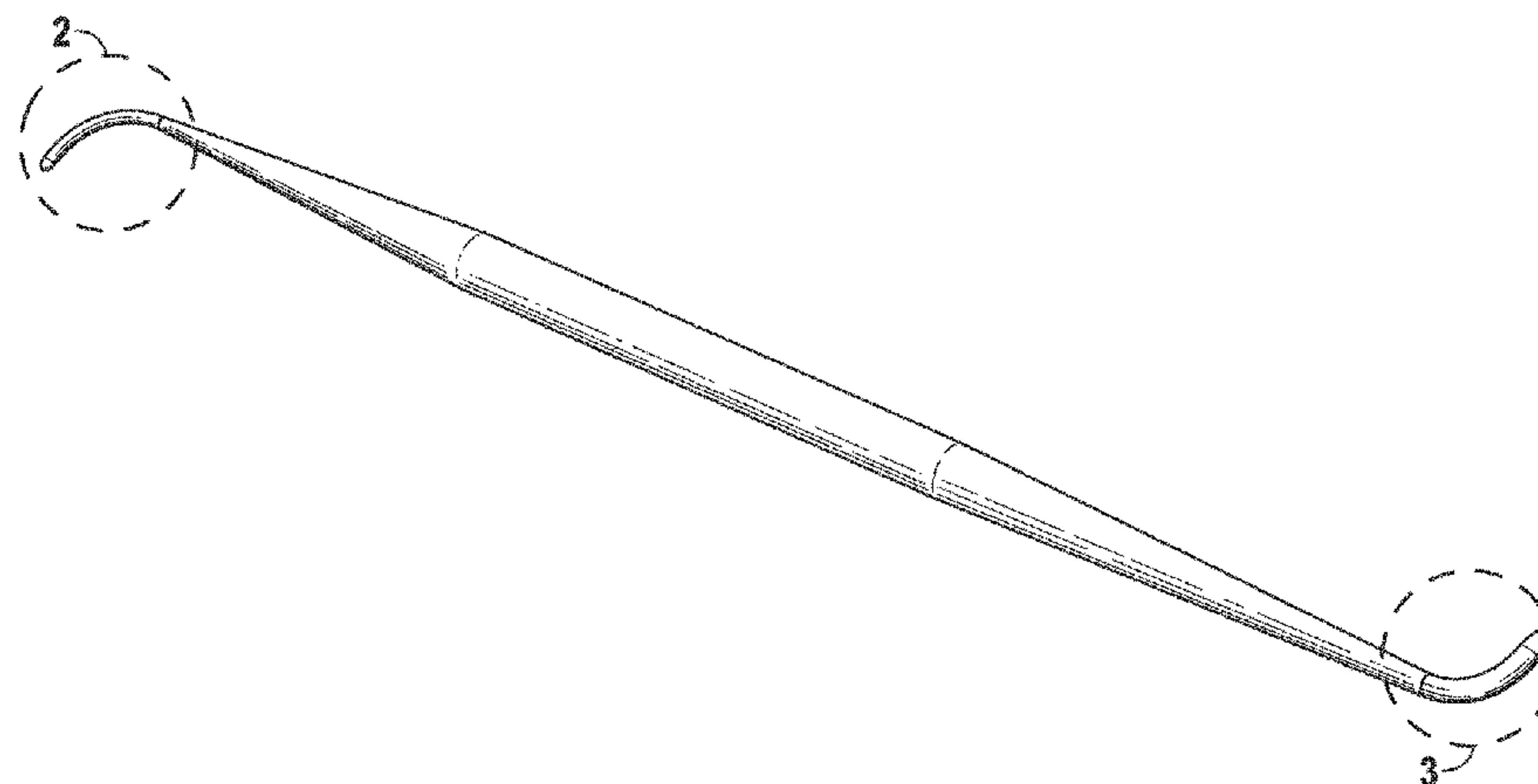


FIG. 14 is an enlarged end view of the left side of the nasal dilator shown in FIG. 1;

FIG. 15 is a perspective view of a nasal dilator showing another one of our new designs;

FIG. 16 is an enlarged view of the left side of the nasal dilator shown in FIG. 15 taken along line 16;

FIG. 17 is an enlarged view of the right side of the nasal dilator shown in FIG. 15 taken along line 17;

FIG. 18 is a front view of the nasal dilator shown in FIG. 15;

FIG. 19 is an enlarged view of the left side of the nasal dilator shown in FIG. 18 taken along line 19;

FIG. 20 is an enlarged view of the right side of the nasal dilator shown in FIG. 18 taken along line 20;

FIG. 21 is a back view of the nasal dilator shown in FIG. 15;

FIG. 22 is an enlarged view of the left side of the nasal dilator shown in FIG. 21 taken along line 22;

FIG. 23 is an enlarged view of the right side of the nasal dilator shown in FIG. 21 taken along line 23;

FIG. 24 is a top view of the nasal dilator shown in FIG. 15;

FIG. 25 is an enlarged view of the left side of the nasal dilator shown in FIG. 24 taken along line 25;

FIG. 26 is an enlarged view of the right side of the nasal dilator shown in FIG. 24 taken along line 26;

FIG. 27 is an enlarged end view of the right side of the nasal dilator shown in FIG. 15;

FIG. 28 is an enlarged end view of the left side of the nasal dilator shown in FIG. 15;

FIG. 29 is a perspective view of a nasal dilator showing another one of our new designs;

FIG. 30 is an enlarged view of the left side of the nasal dilator shown in FIG. 29 taken along line 102;

FIG. 31 is an enlarged view of the right side of the nasal dilator shown in FIG. 29 taken along line 103;

FIG. 32 is a front view of the nasal dilator shown in FIG. 29;

FIG. 33 is an enlarged view of the left side of the nasal dilator shown in FIG. 32 taken along line 105;

FIG. 34 is an enlarged view of the right side of the nasal dilator shown in FIG. 32 taken along line 106;

FIG. 35 is a back view of the nasal dilator shown in FIG. 29;

FIG. 36 is an enlarged view of the left side of the nasal dilator shown in FIG. 35 taken along line 108;

FIG. 37 is an enlarged view of the right side of the nasal dilator shown in FIG. 35 taken along line 109;

FIG. 38 is a top view of the nasal dilator shown in FIG. 29;

FIG. 39 is an enlarged view of the left side of the nasal dilator shown in FIG. 38 taken along line 111;

FIG. 40 is an enlarged view of the right side of the nasal dilator shown in FIG. 38 taken along line 112;

FIG. 41 is an enlarged end view of the right side of the nasal dilator shown in FIG. 29;

FIG. 42 is an enlarged end view of the left side of the nasal dilator shown in FIG. 29;

FIG. 43 is a cross-sectional view of the left side of the nasal dilator shown in FIG. 30 taken along line 115; and,

FIG. 44 is a cross-sectional view of the right side of the nasal dilator shown in FIG. 31 taken along line 116.

1 Claim, 15 Drawing Sheets

(58) **Field of Classification Search**

CPC A61F 5/08; A61M 29/00; A61M 29/02;
A61B 17/24; A61B 1/233; A61B
2018/00327; A61B 5/6819
See application file for complete search history.

(56) **References Cited**

U.S. PATENT DOCUMENTS

D382,342	S	8/1997	Rosen	
D436,174	S	1/2001	Komamura	
D438,954	S	3/2001	Orsing	
D439,979	S	4/2001	Strobel et al.	
D442,687	S	5/2001	Schulz	
D453,378	S	2/2002	Mangione	
D458,682	S *	6/2002	Szymaitis	D24/152
D460,555	S	7/2002	Holbrook	
D485,358	S	1/2004	Woo	
D516,722	S	3/2006	Mak	
D523,142	S *	6/2006	Stalcup	D24/135
D531,727	S	11/2006	Mak	
D586,914	S *	2/2009	DaSilva	D24/135
7,771,409	B2	8/2010	Chang et al.	
D623,741	S	9/2010	Kupferschmid et al.	
7,803,150	B2	9/2010	Chang et al.	
D629,896	S	12/2010	Horton	
D631,962	S	2/2011	Dorman	
D648,021	S	11/2011	Dorman	
8,172,828	B2	5/2012	Chang et al.	
8,182,432	B2	5/2012	Kim et al.	
D685,466	S *	7/2013	Moshinsky	D24/130
8,679,103	B2	3/2014	Krespi	
8,721,591	B2	5/2014	Chang et al.	
D772,408	S *	11/2016	Alexander	D24/135
2004/0073141	A1	4/2004	Hartley et al.	
2008/0021283	A1 *	1/2008	Kuranda	A61B 17/02 600/201
2010/0071857	A1	3/2010	Hung	
2010/0198247	A1	8/2010	Chang et al.	
2010/0203474	A1	8/2010	Chen	
2011/0021975	A1	1/2011	Covello	
2011/0022172	A1	1/2011	Gonzales et al.	
2012/0053404	A1	3/2012	Schreck et al.	
2012/0071857	A1	3/2012	Goldfarb et al.	
2012/0330345	A1	12/2012	Tasca	
2013/0253567	A1	9/2013	Edgren et al.	
2013/0274600	A1	10/2013	Jenkins et al.	
2015/0066071	A1	3/2015	Alexander et al.	

FOREIGN PATENT DOCUMENTS

WO	2008036149	A2	3/2008
WO	2008134288	A2	11/2008
WO	2013130464	A1	9/2013
WO	2013155409	A1	10/2013
WO	2015035048	A2	3/2015

* cited by examiner

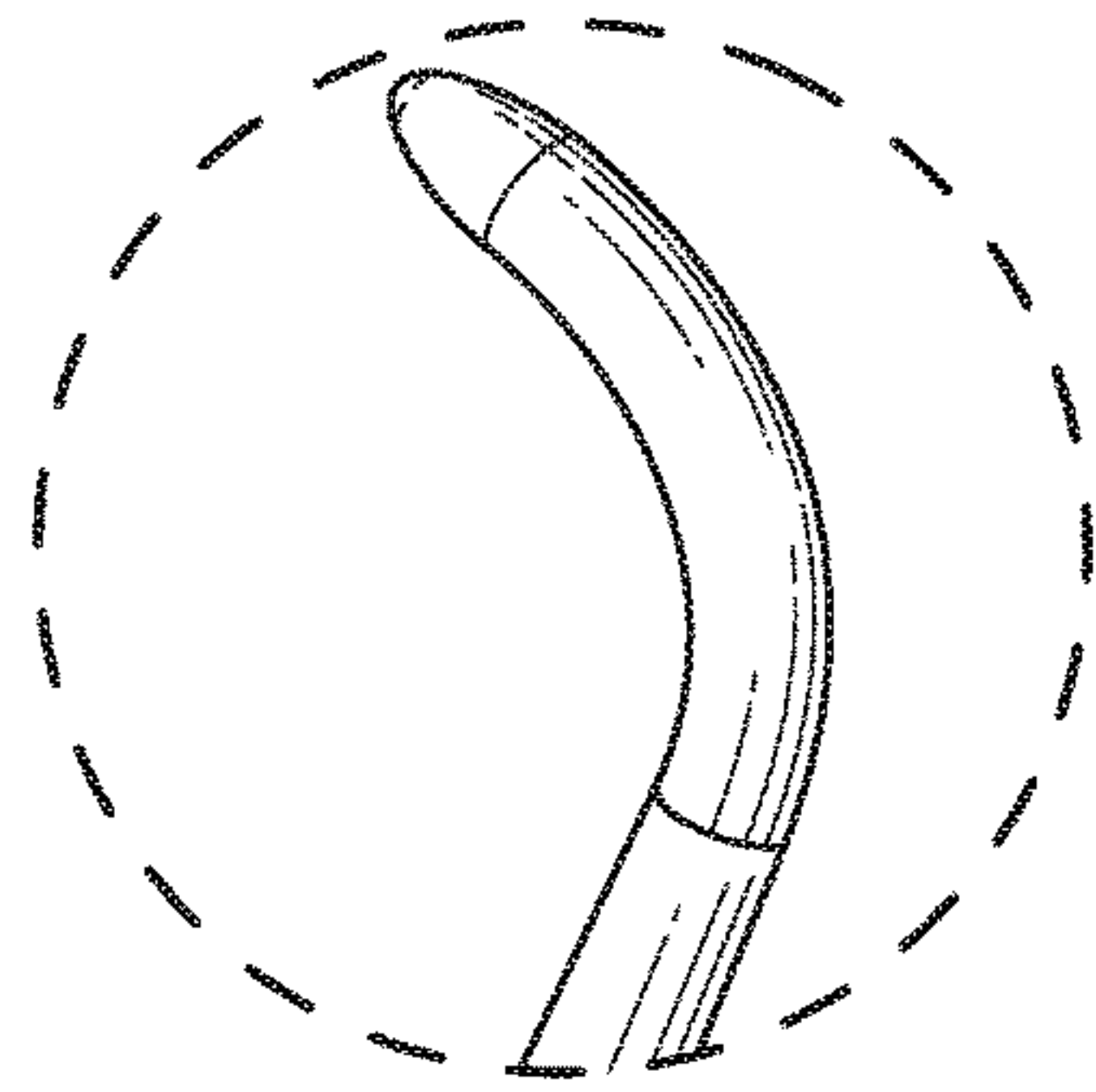


FIG. 3

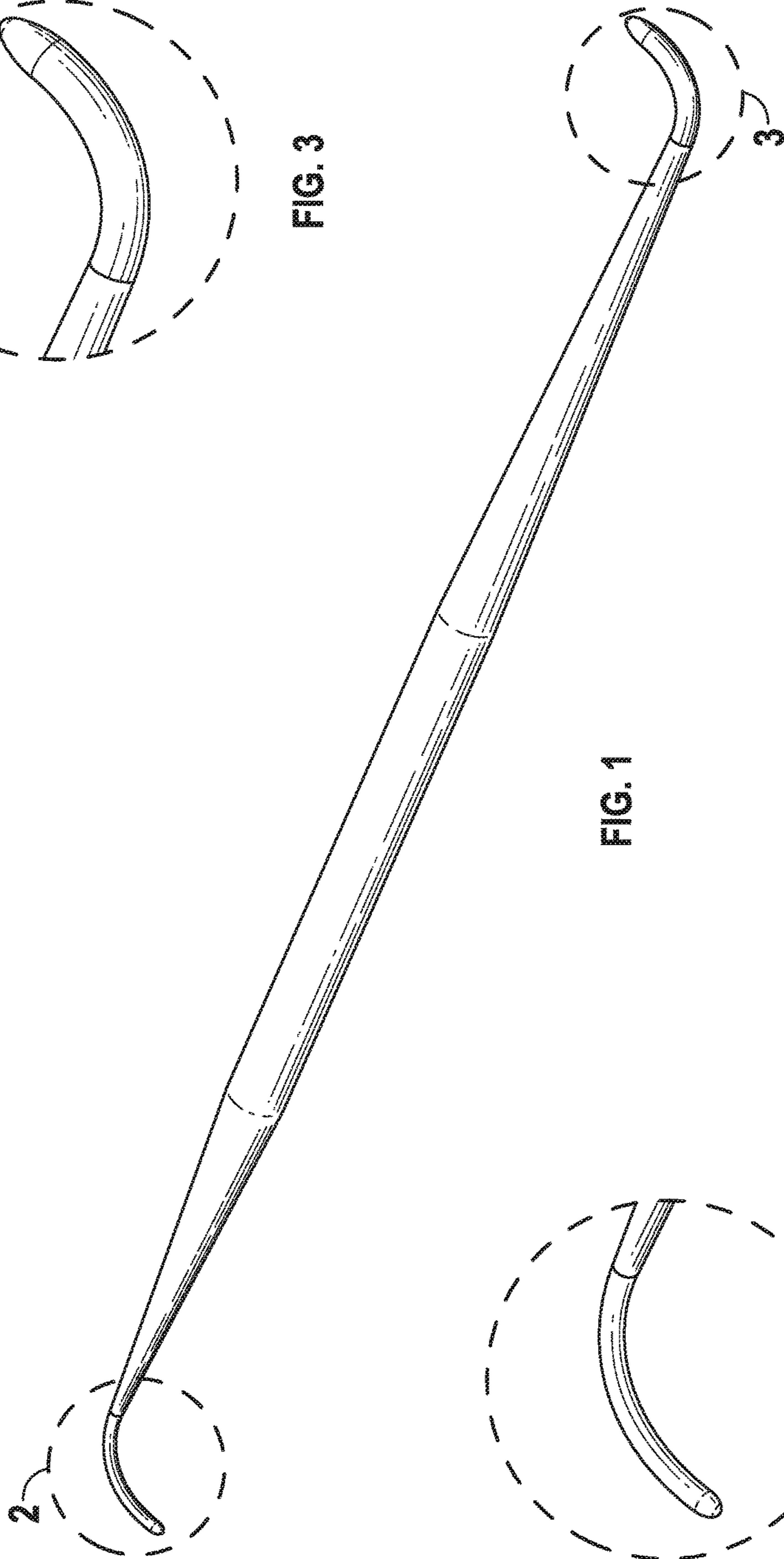


FIG. 1

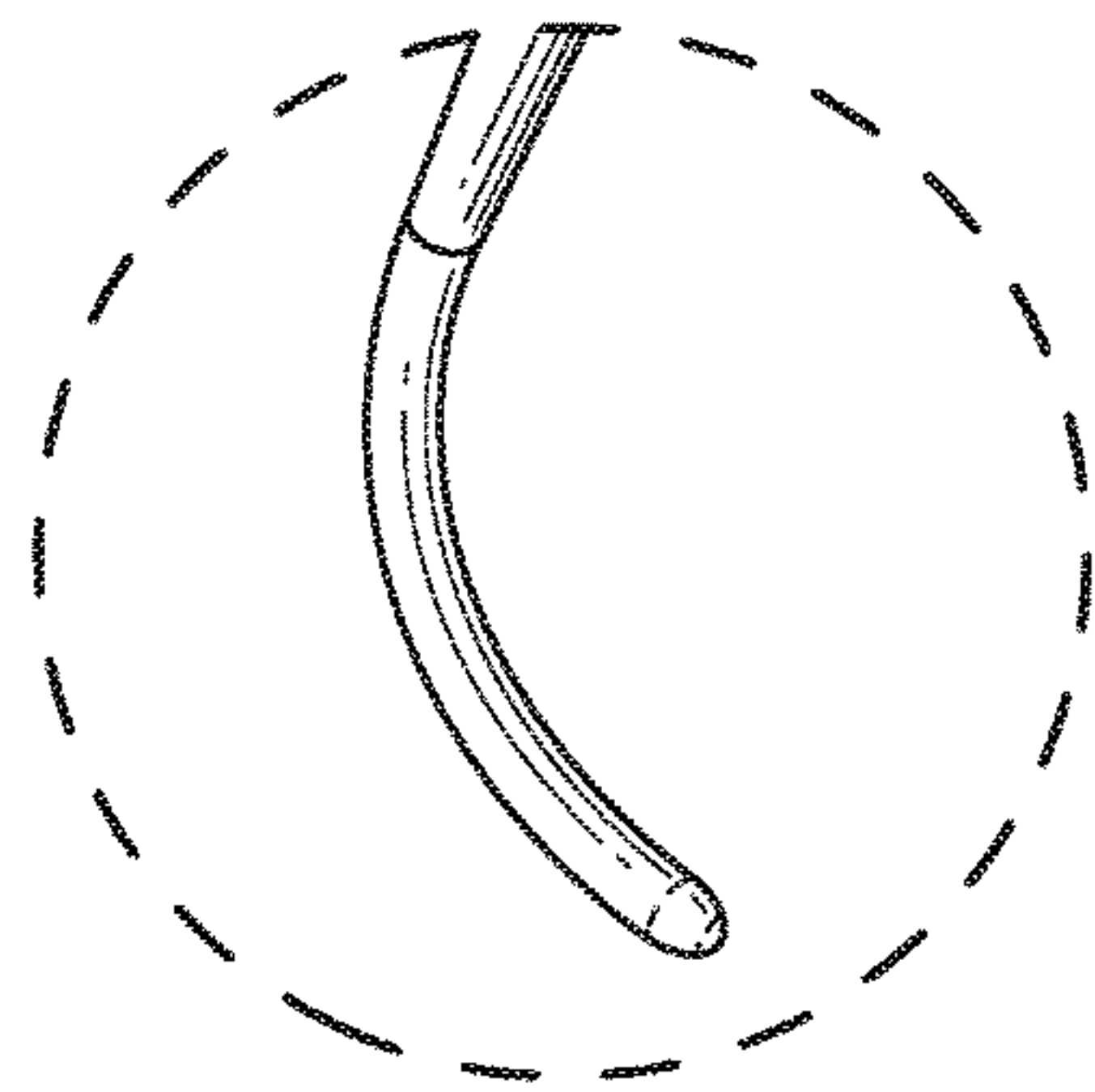


FIG. 2

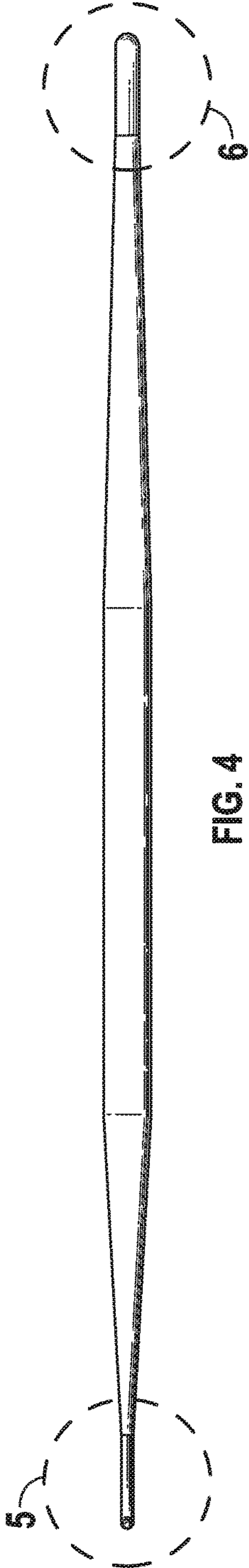


FIG. 4

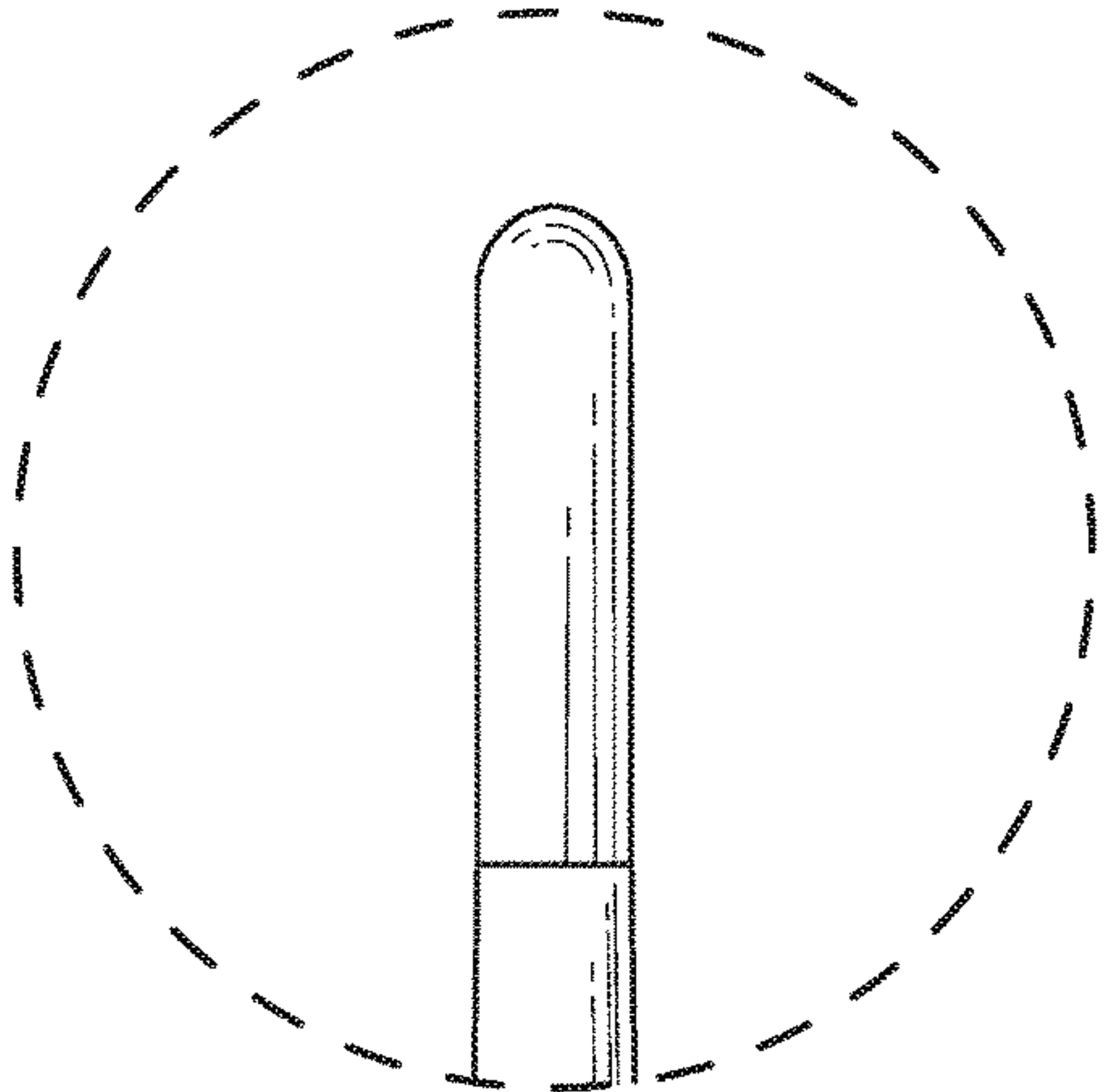


FIG. 6

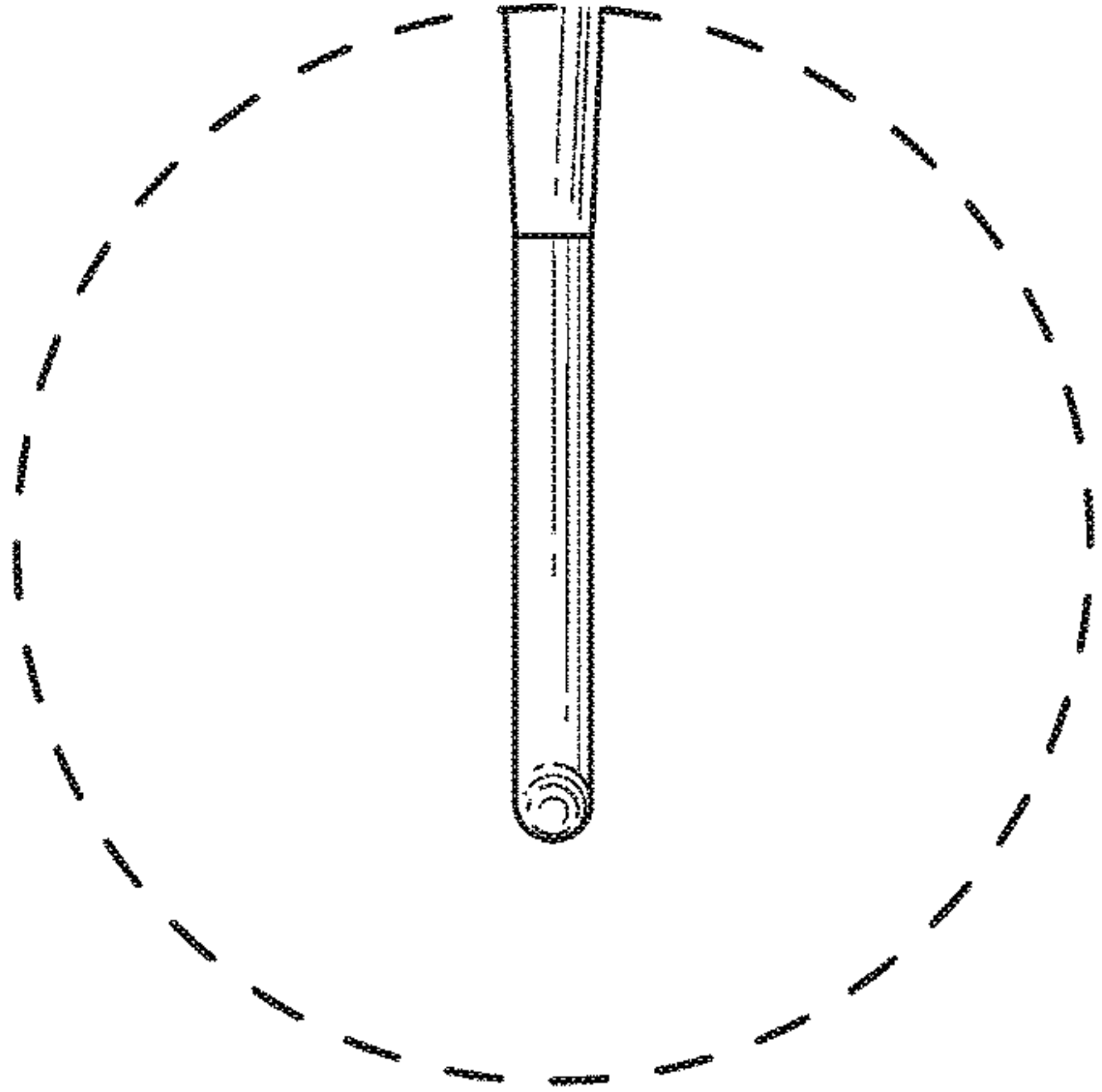


FIG. 5

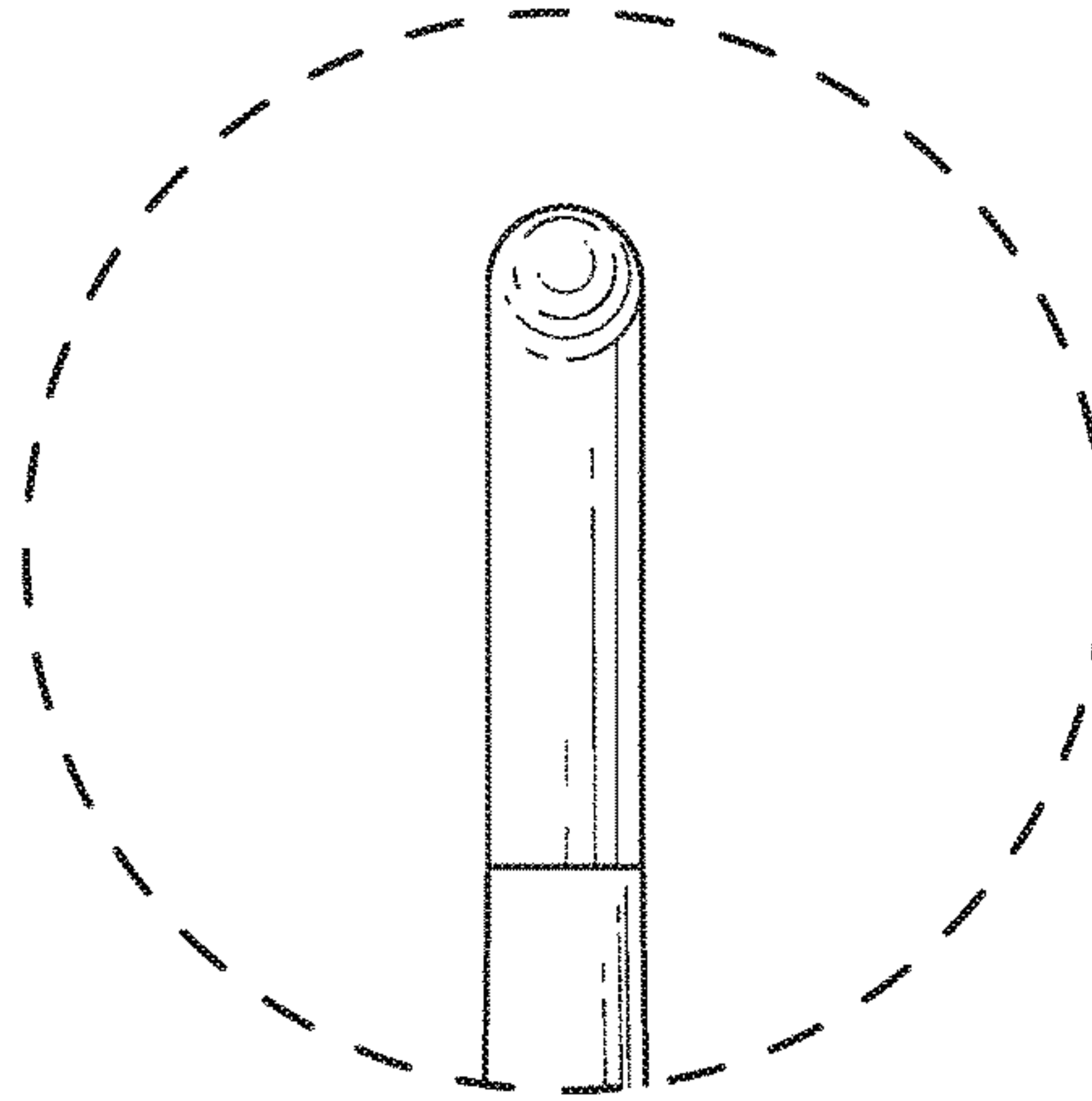
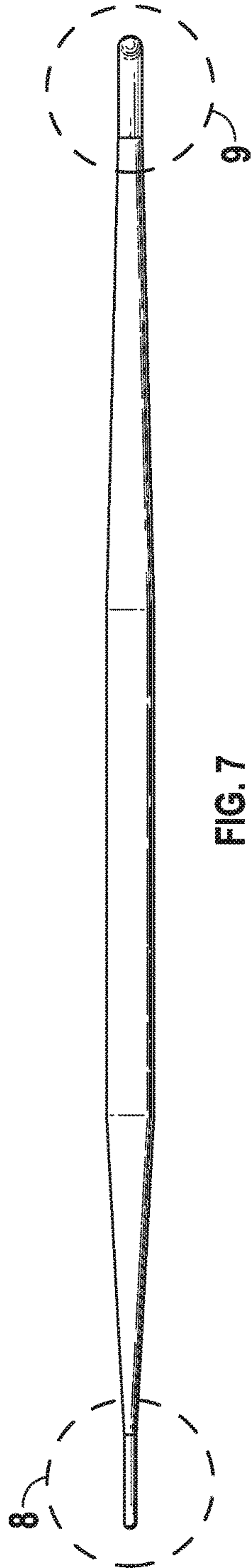


FIG. 9

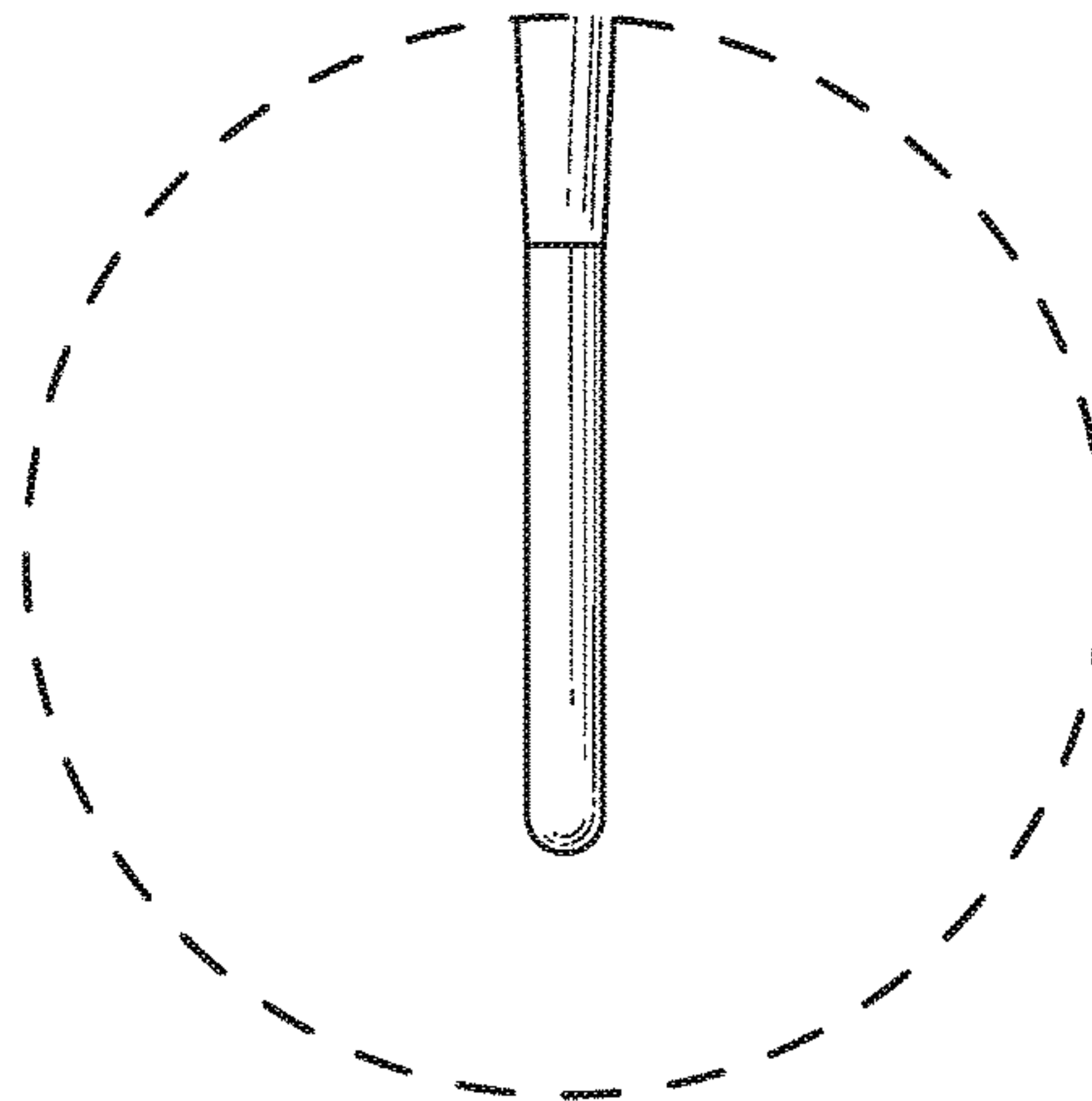


FIG. 8

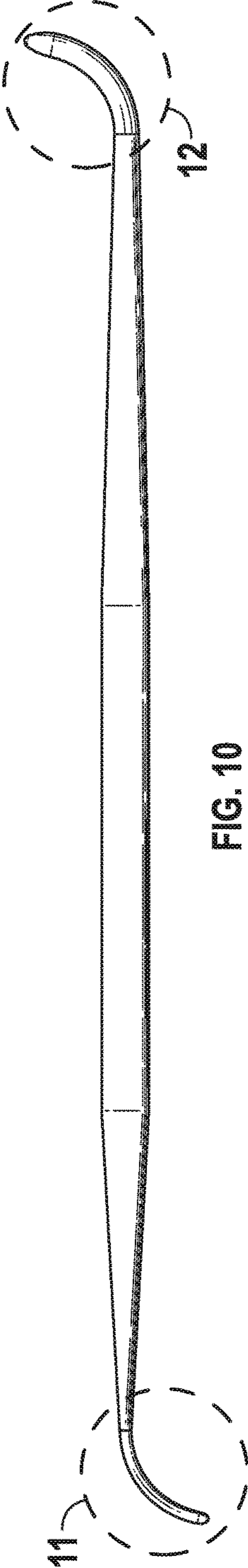


FIG. 10

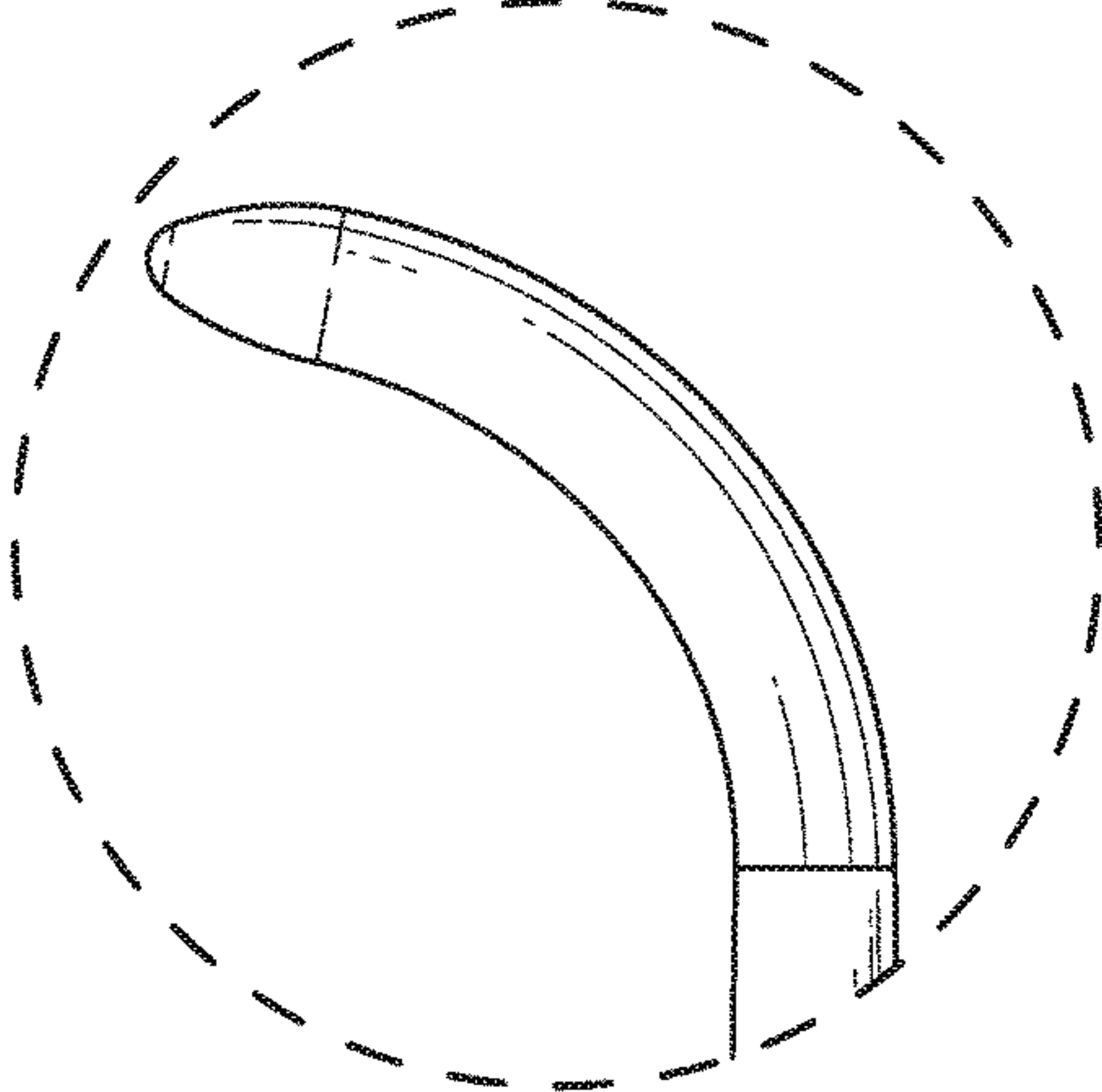


FIG. 12

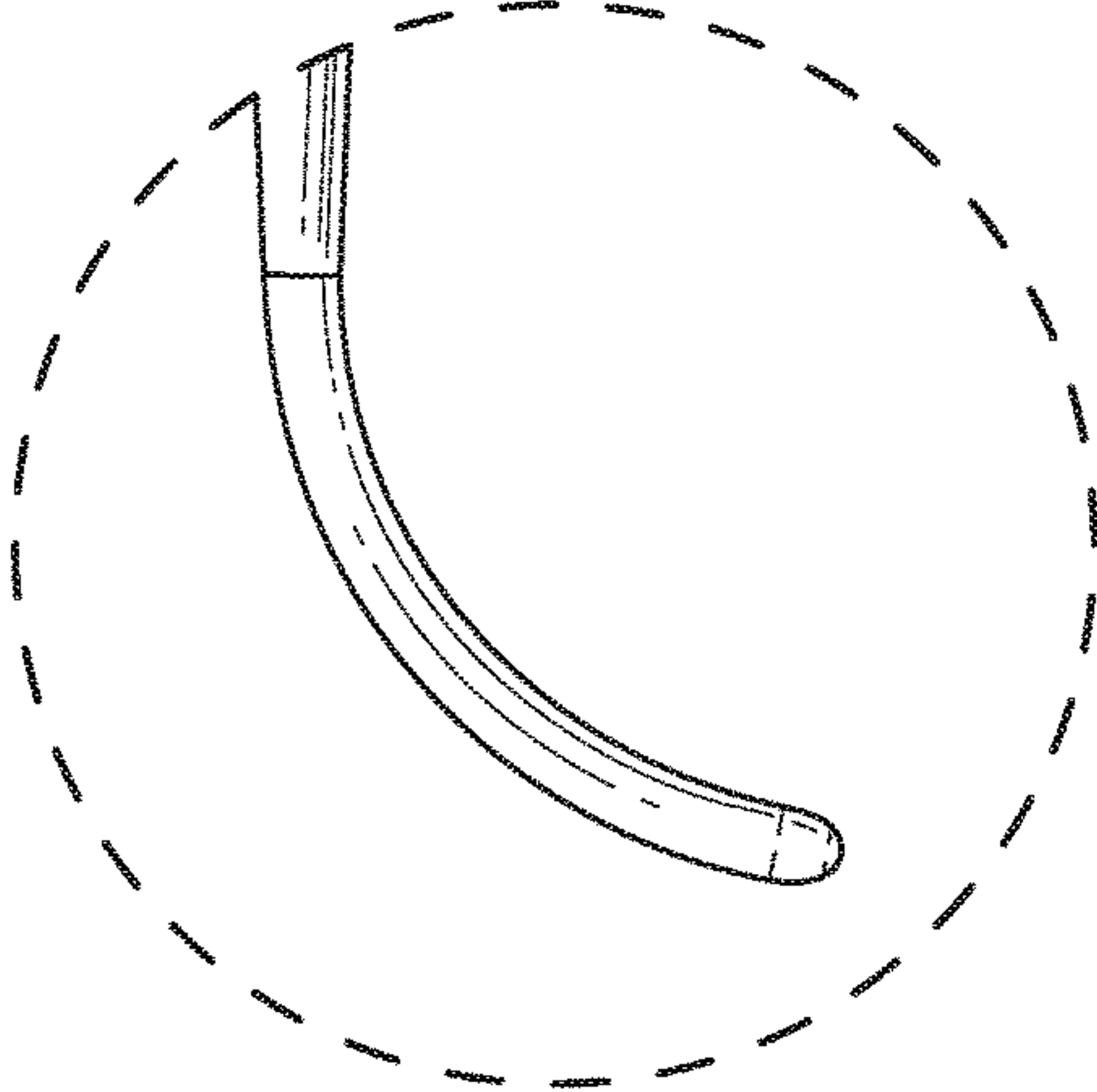


FIG. 11

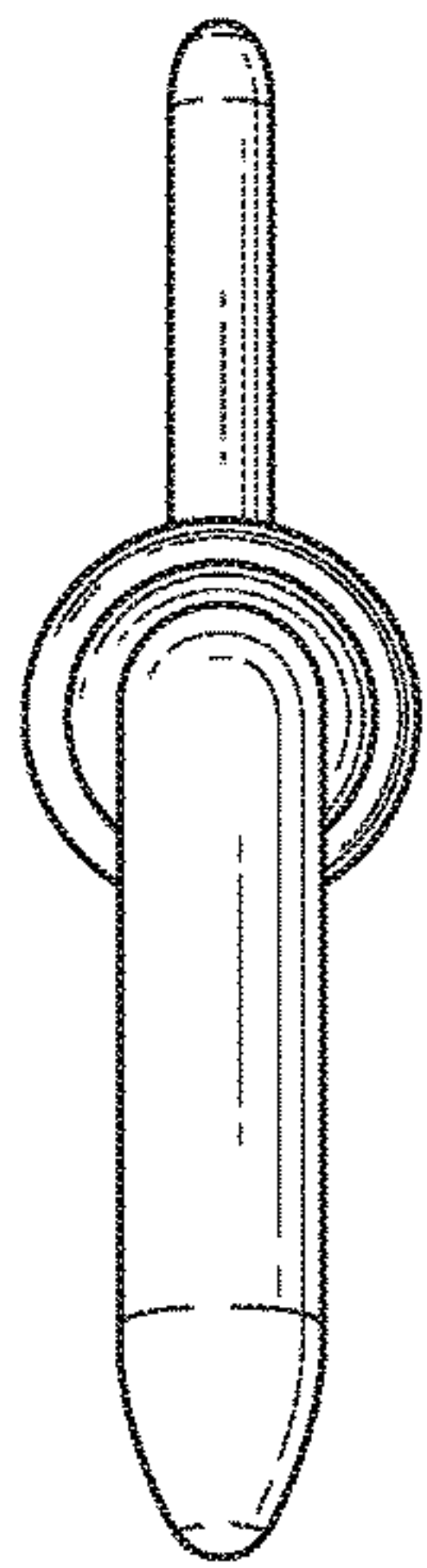


FIG. 13

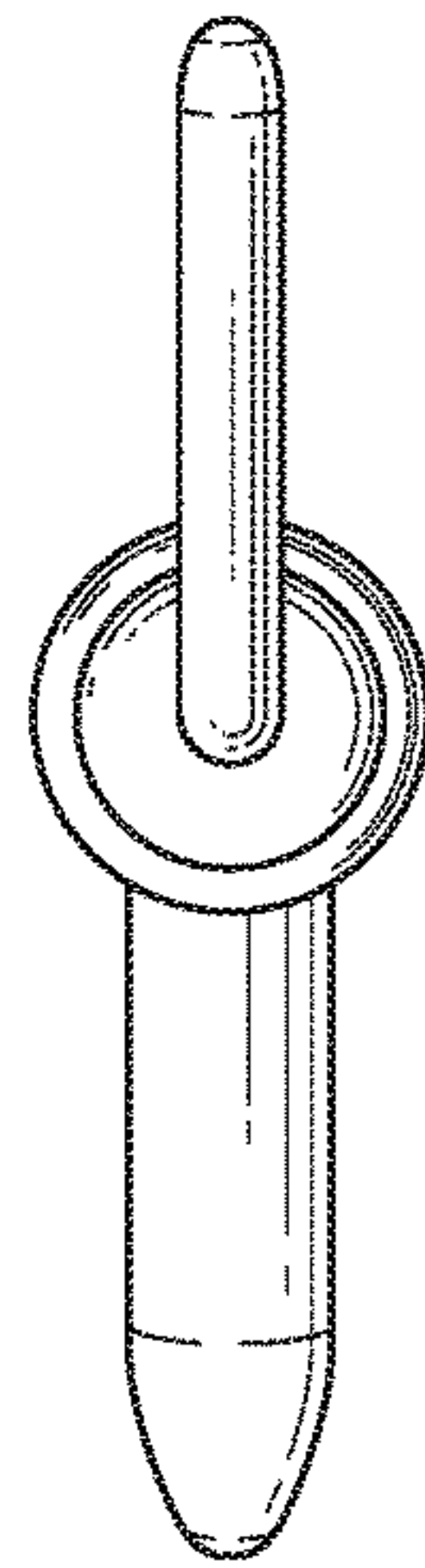


FIG. 14

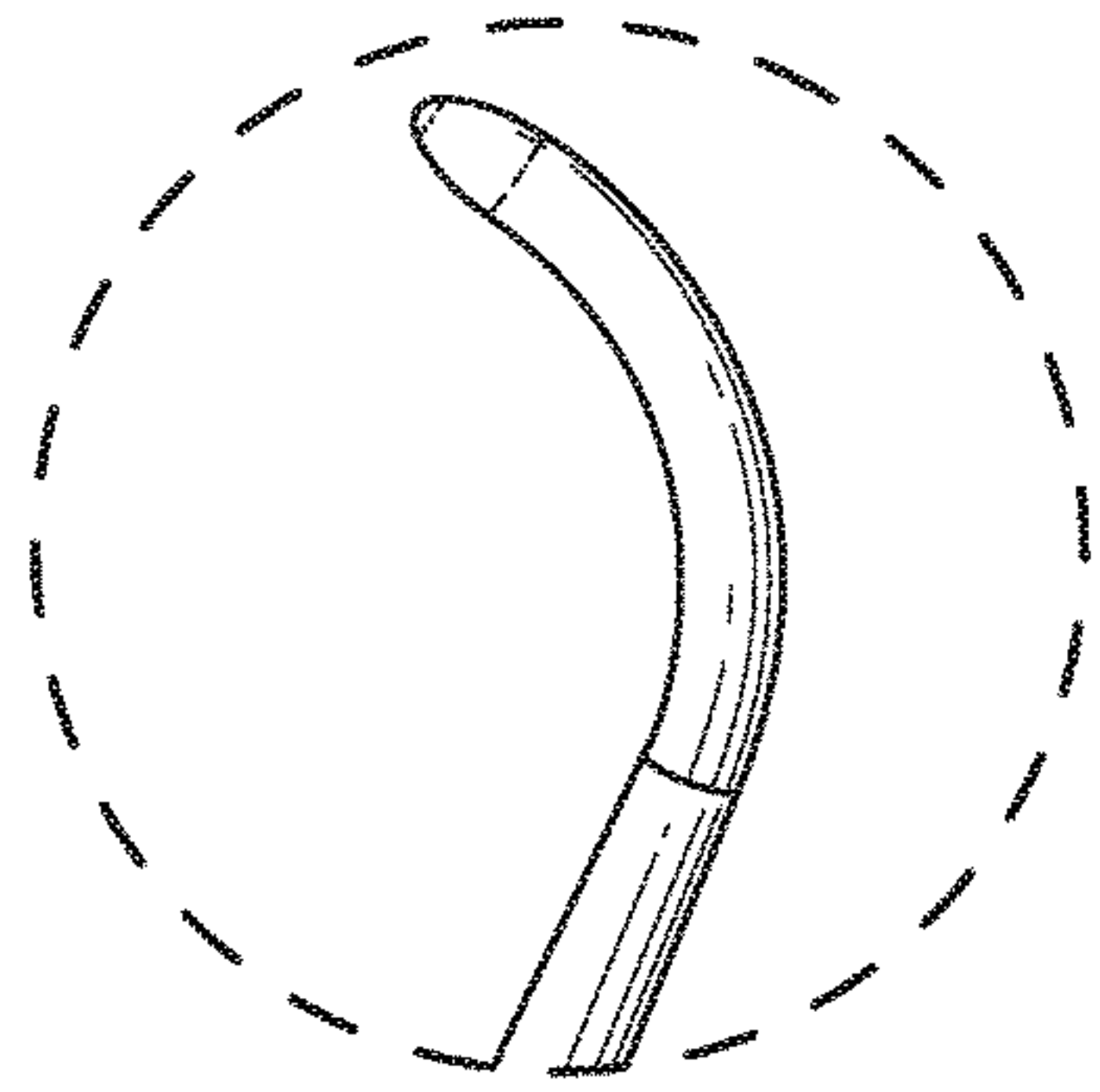


FIG. 17

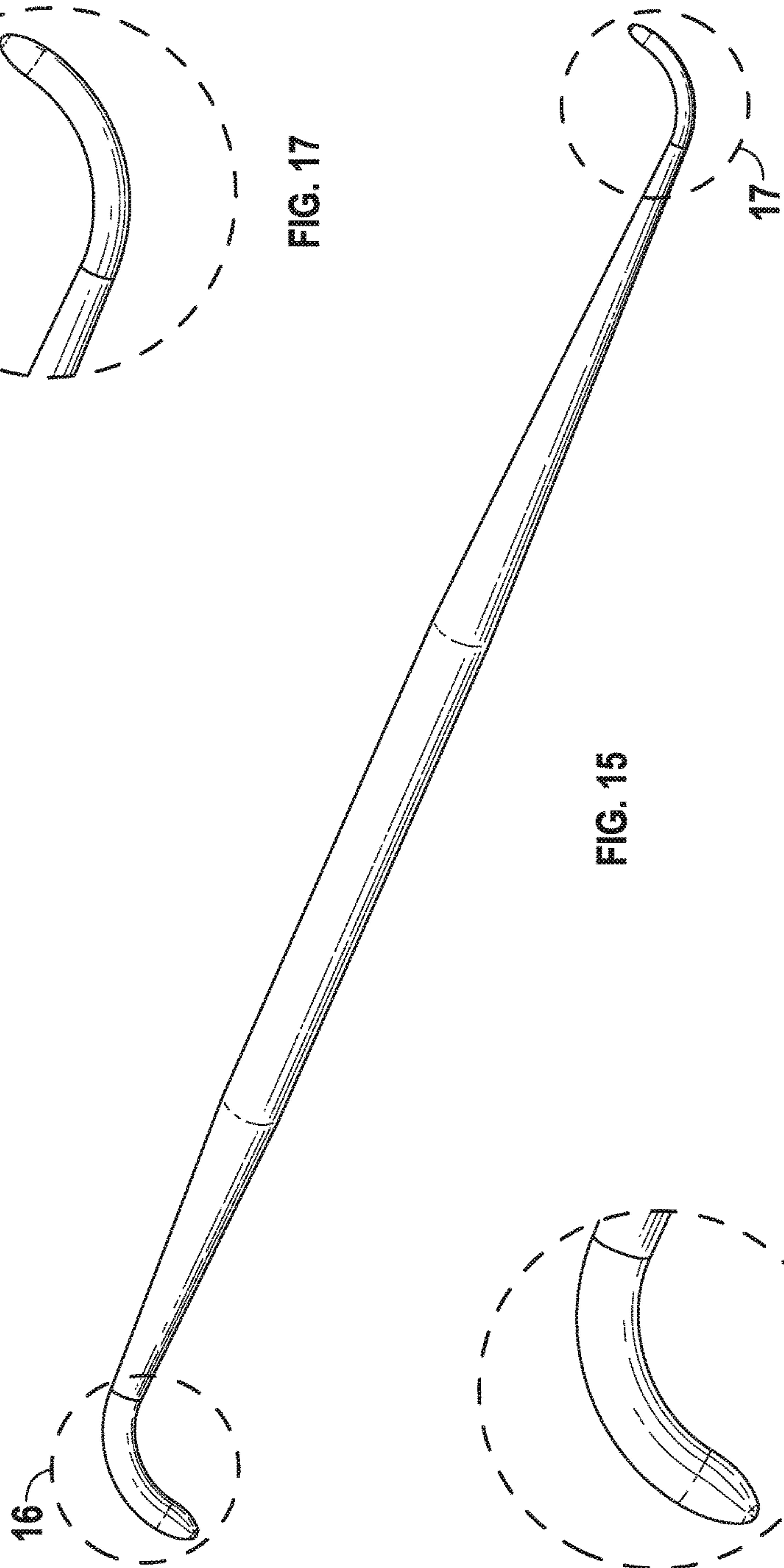


FIG. 15

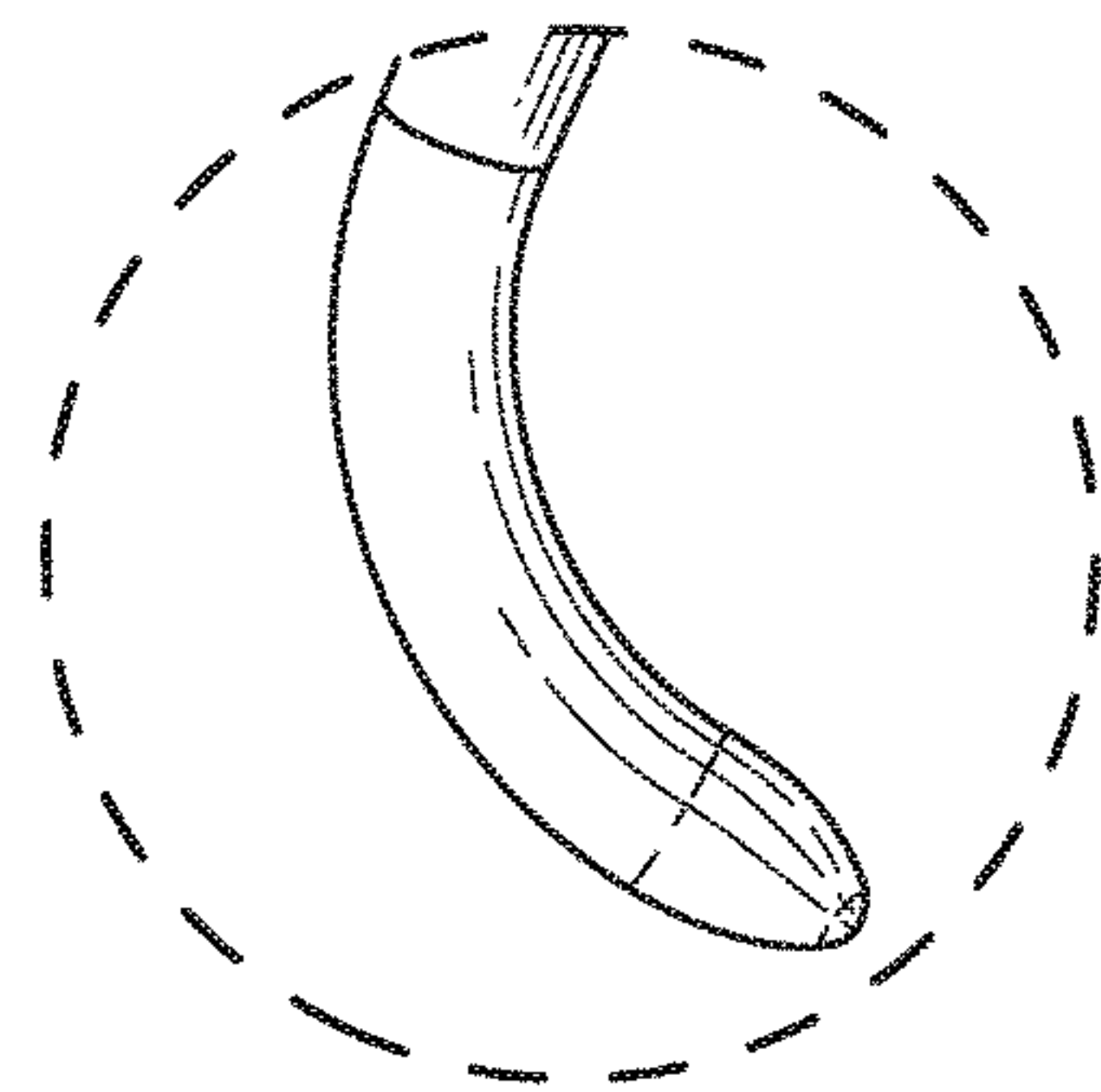


FIG. 16

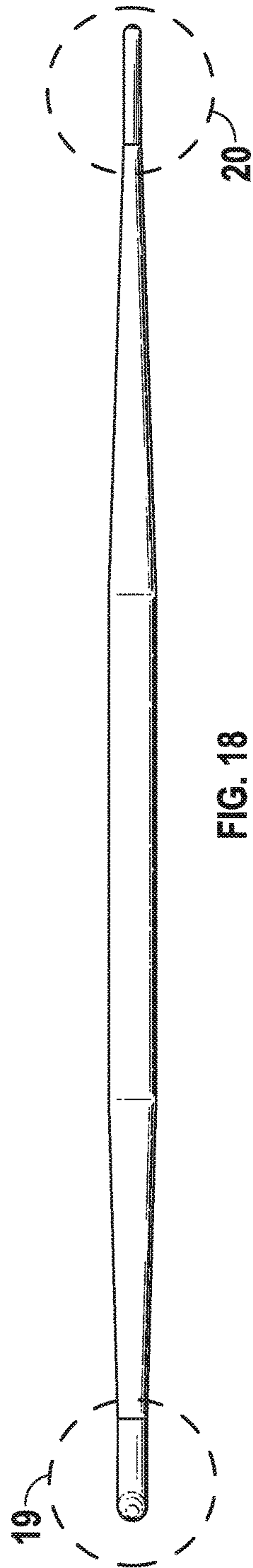


FIG. 18

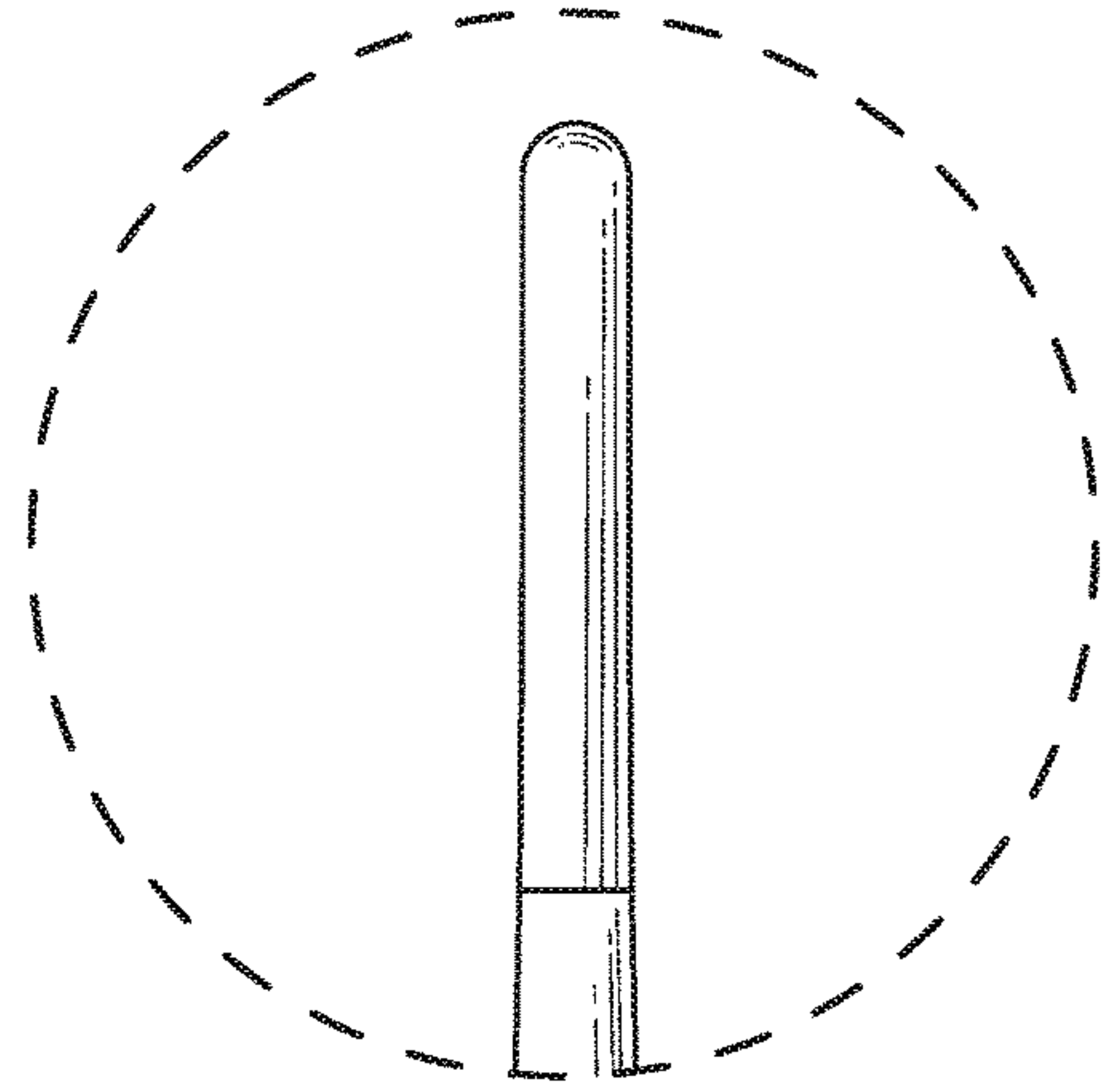


FIG. 20

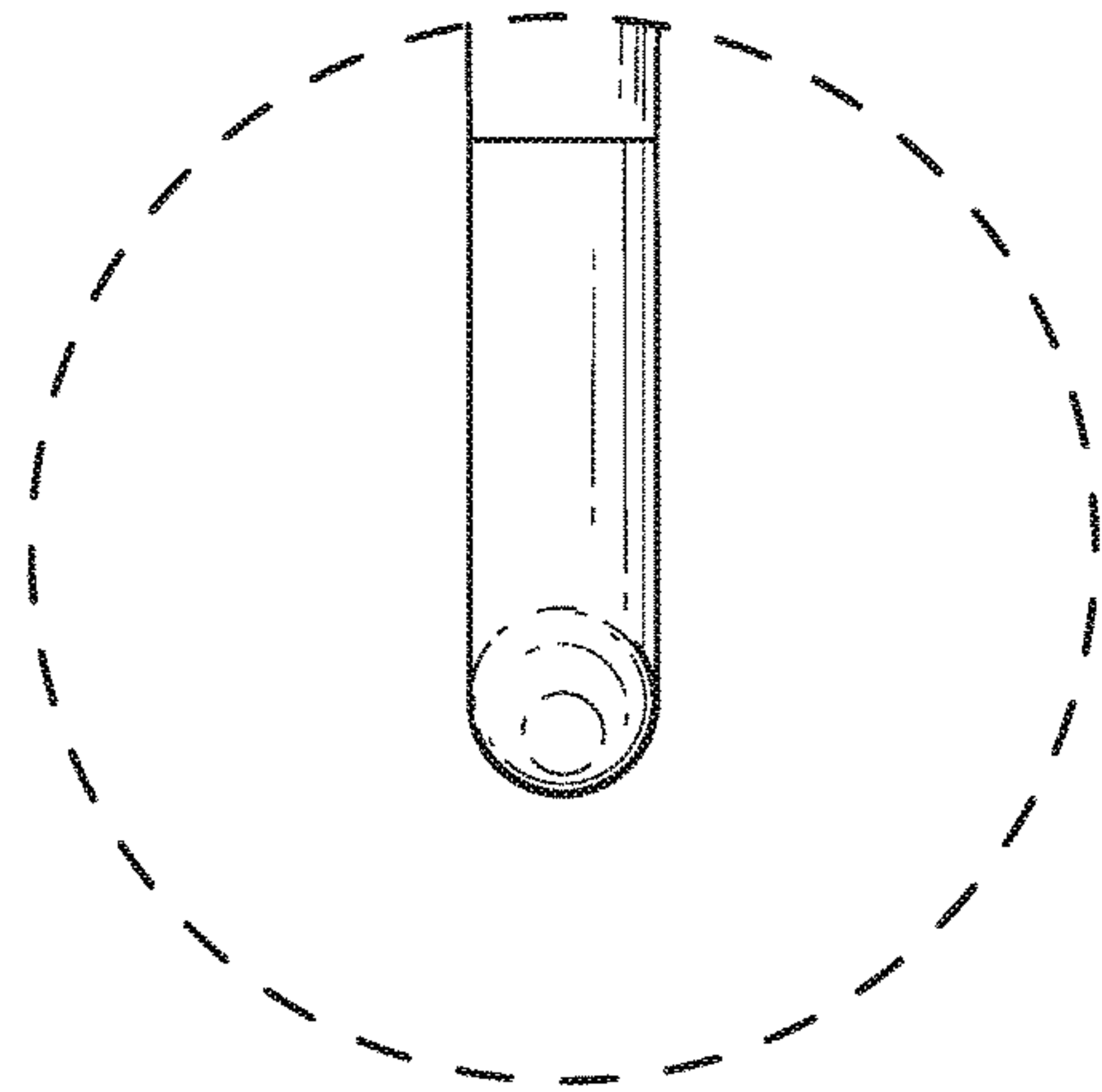


FIG. 19

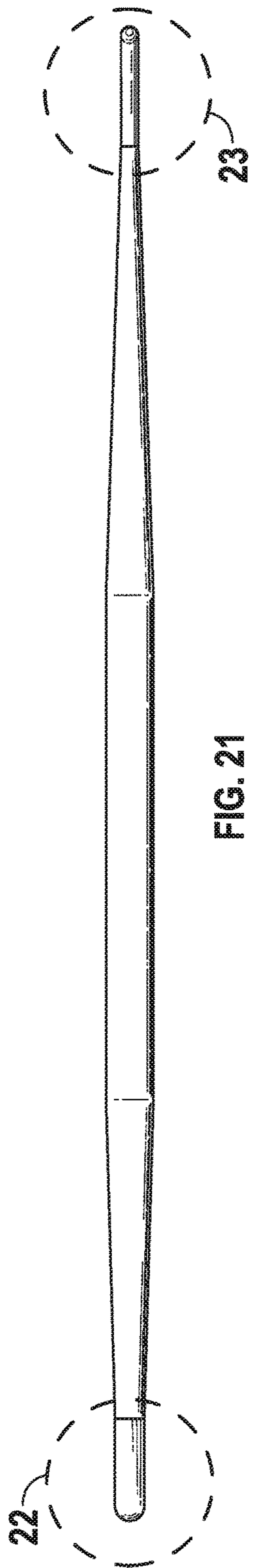


FIG. 21

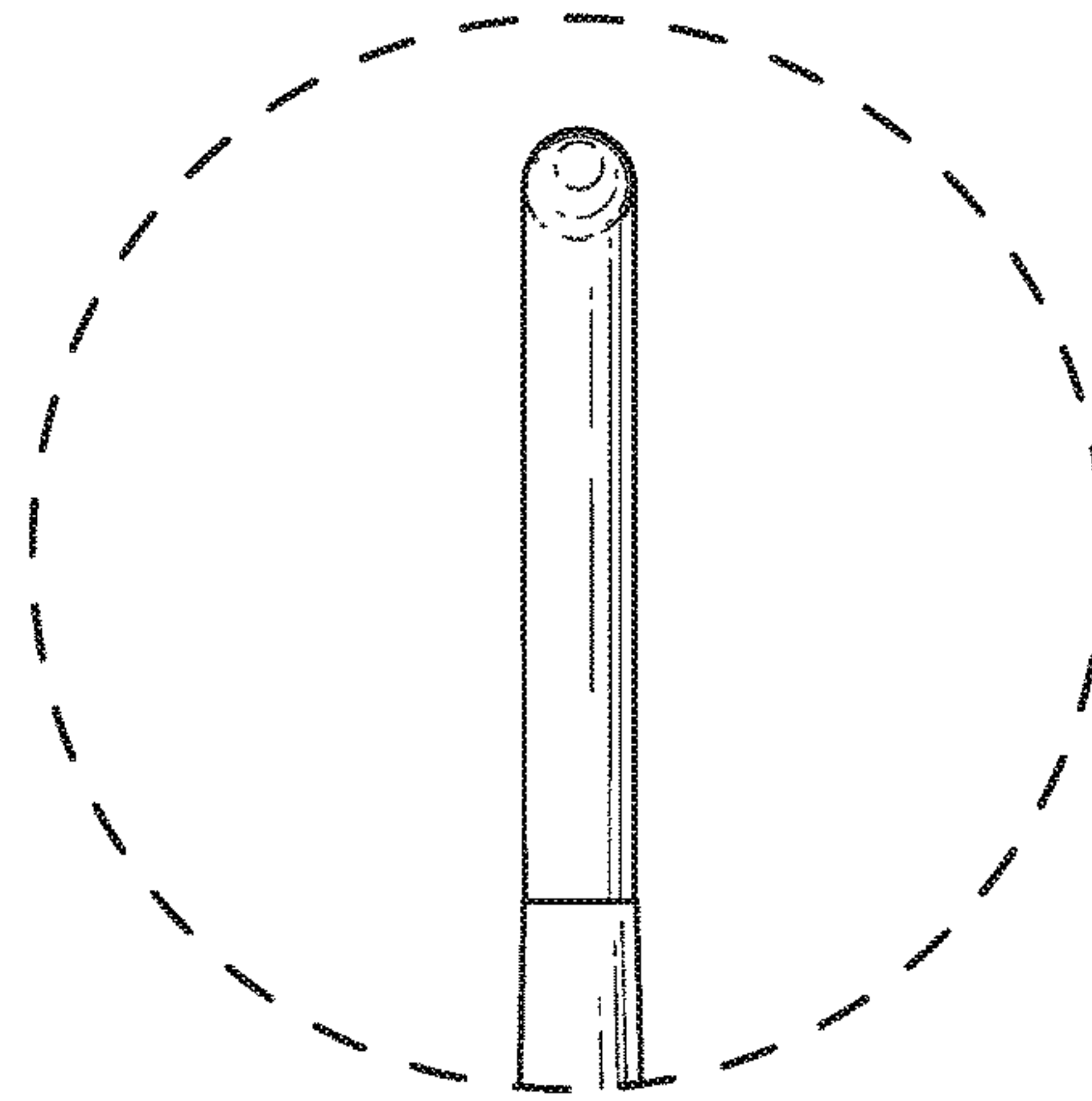


FIG. 23

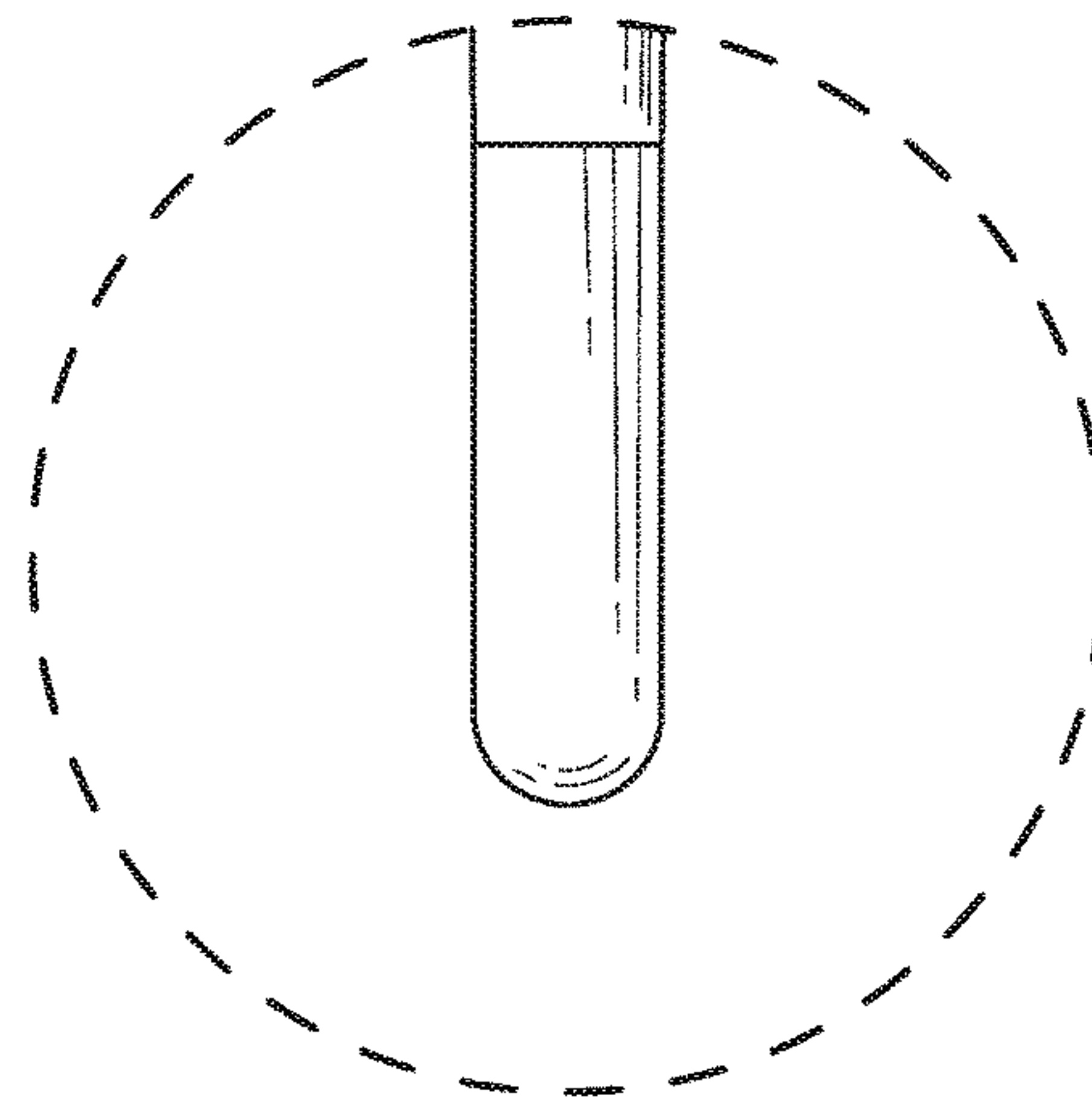


FIG. 22

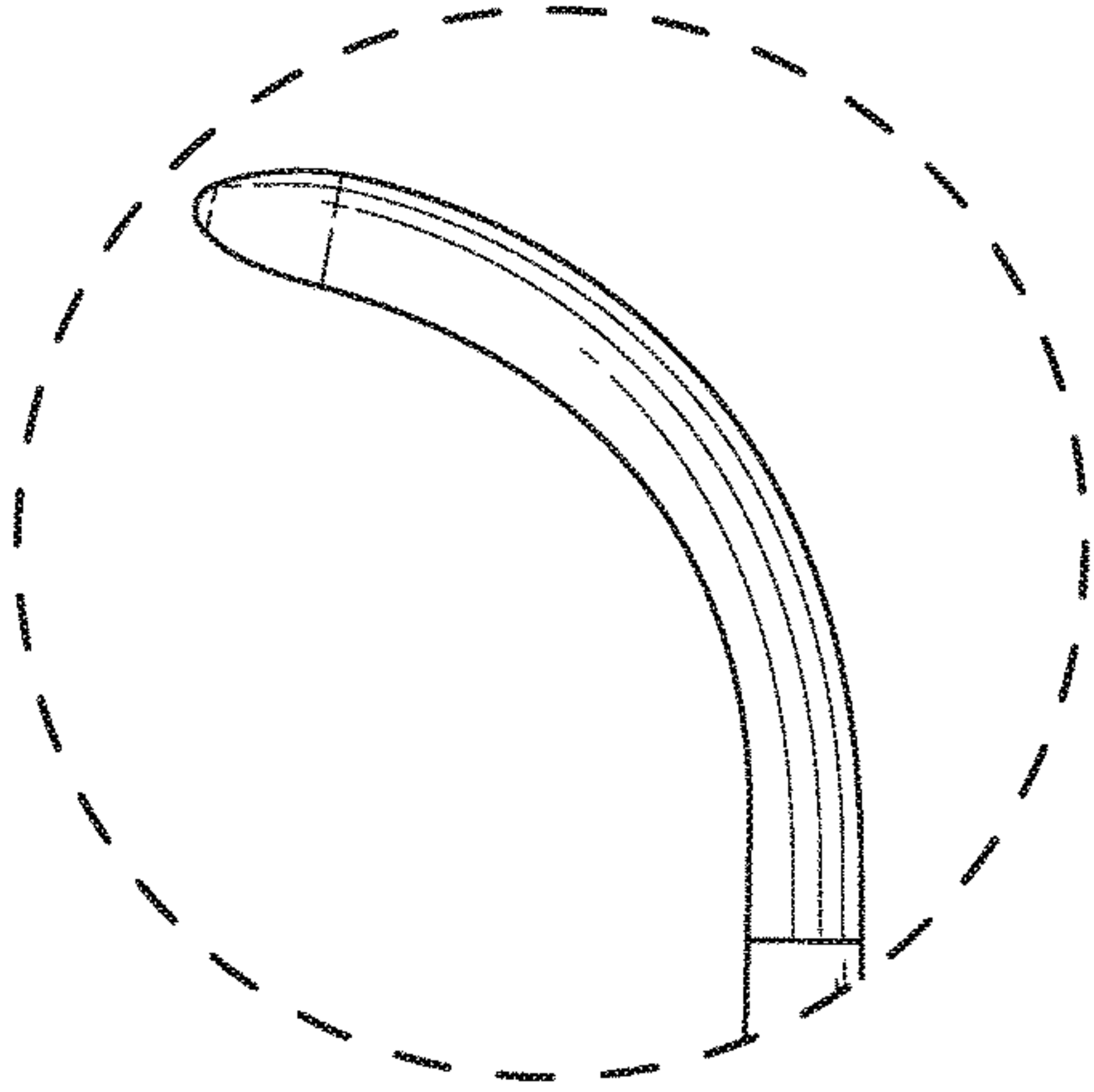
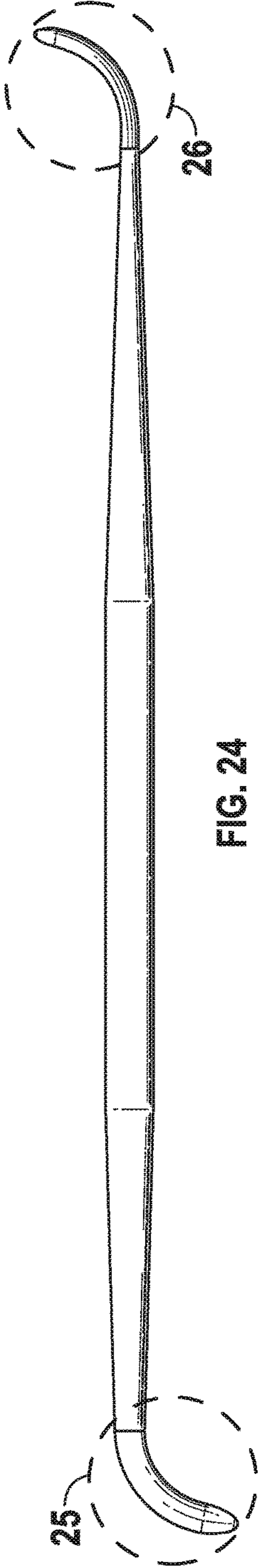


FIG. 26

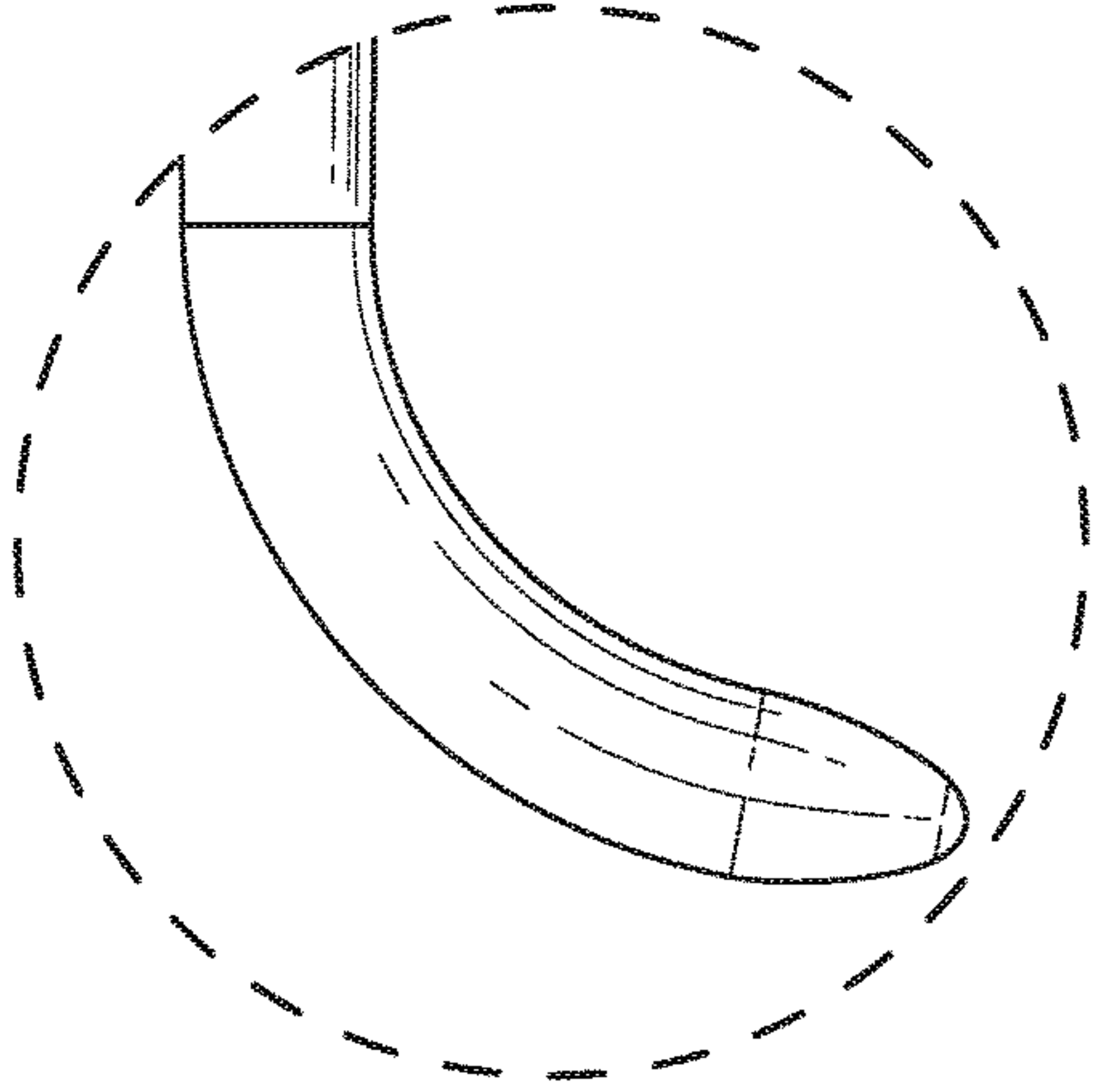


FIG. 25

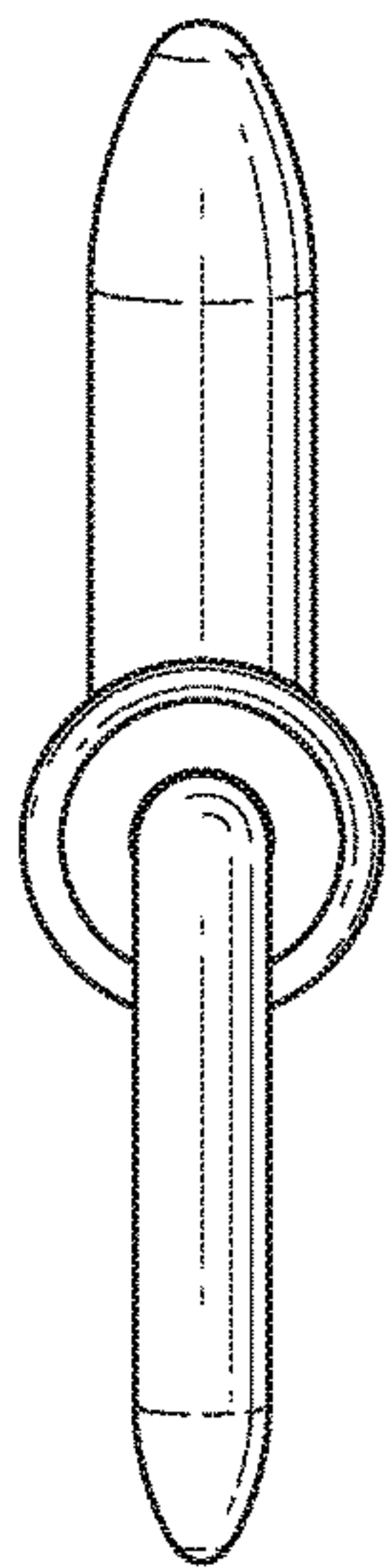


FIG. 27

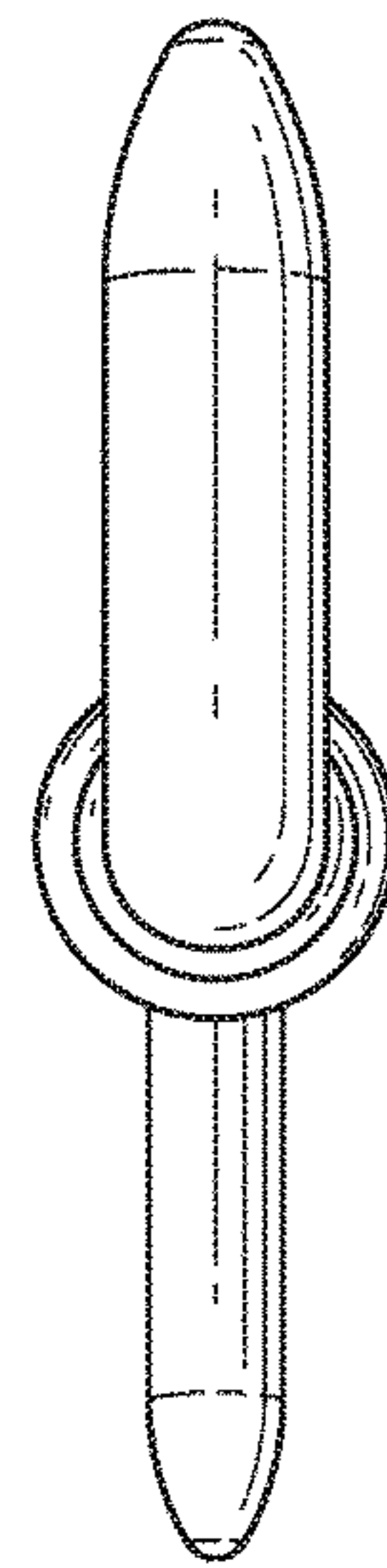


FIG. 28

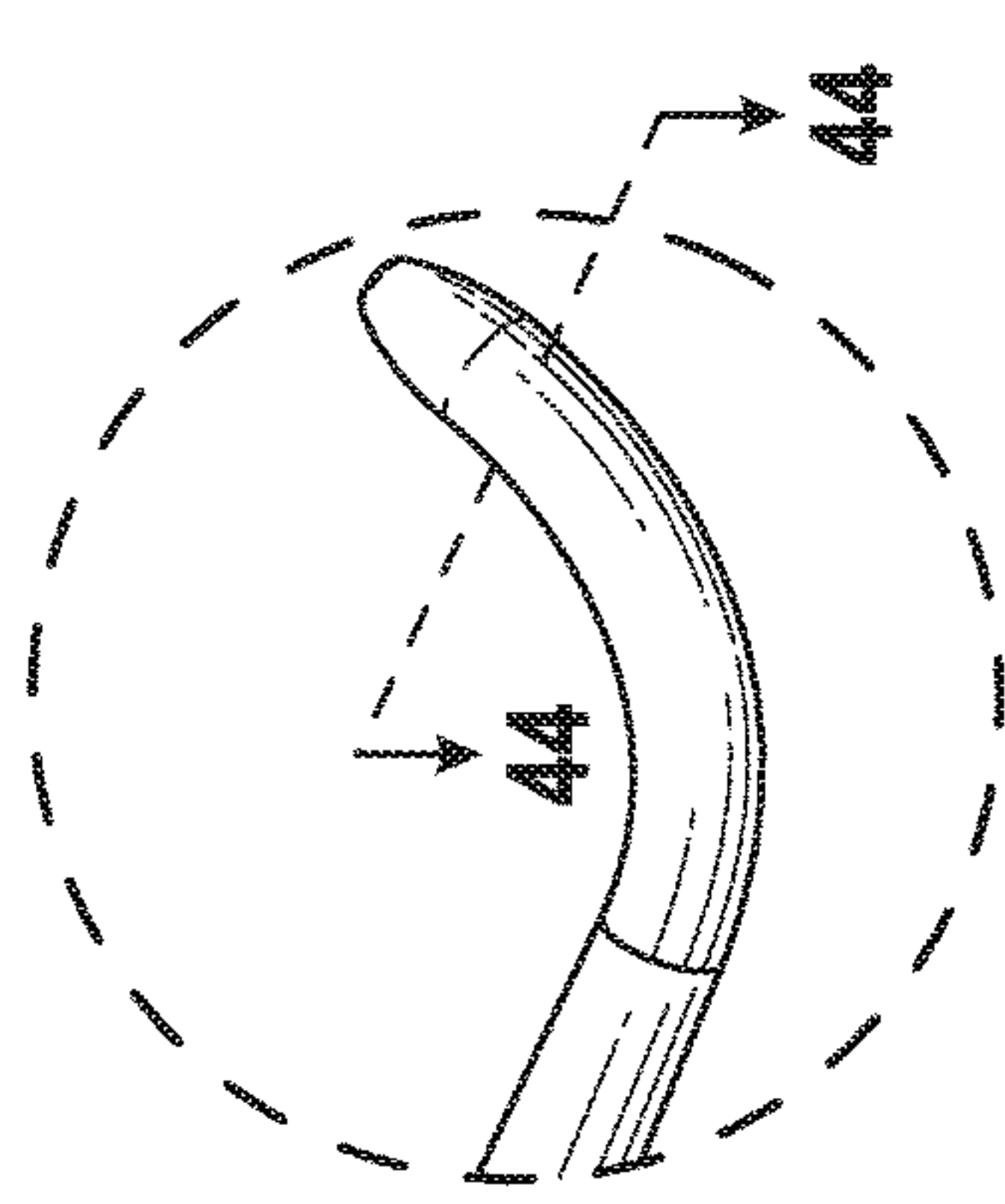


FIG. 31

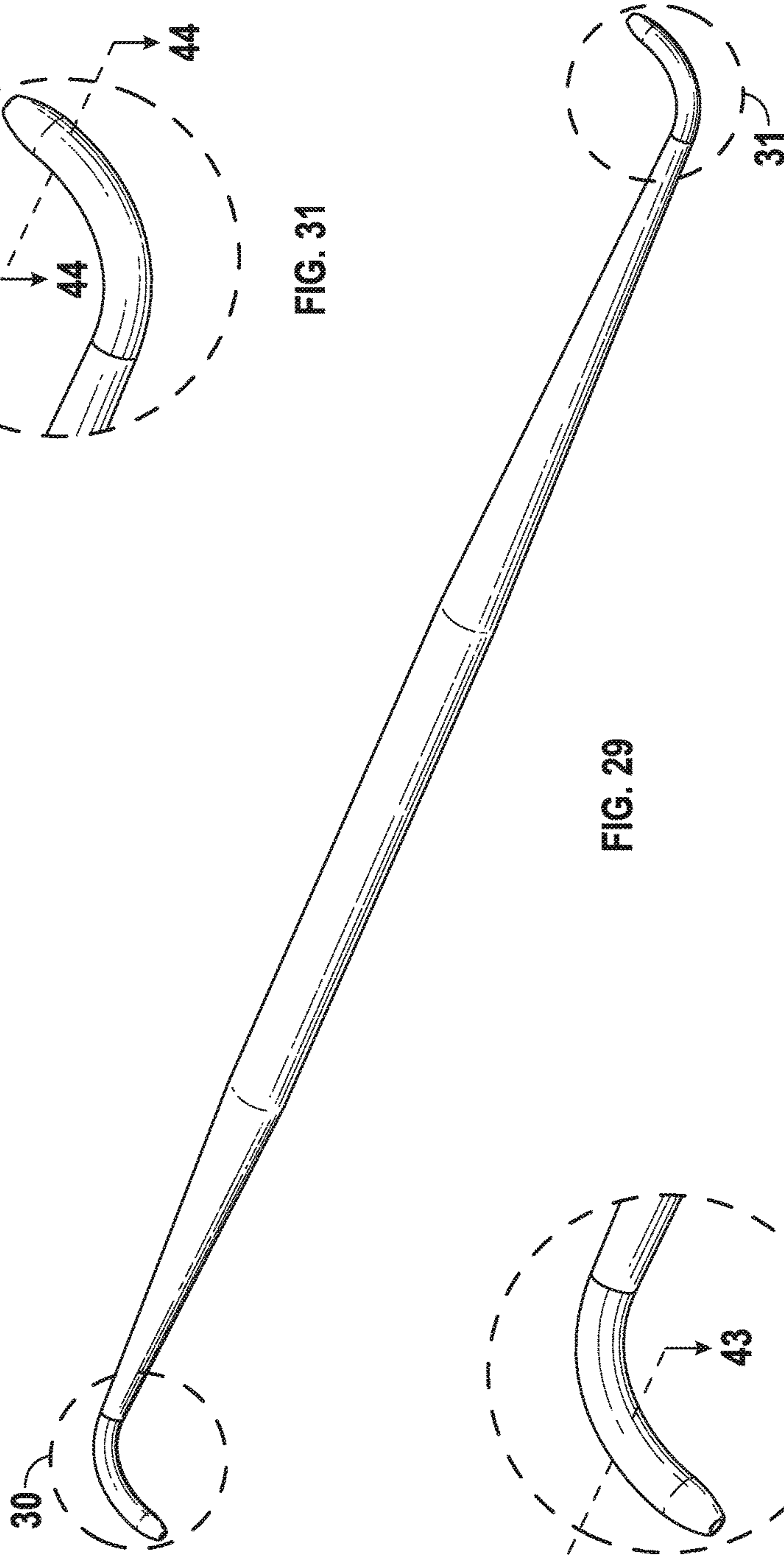


FIG. 29

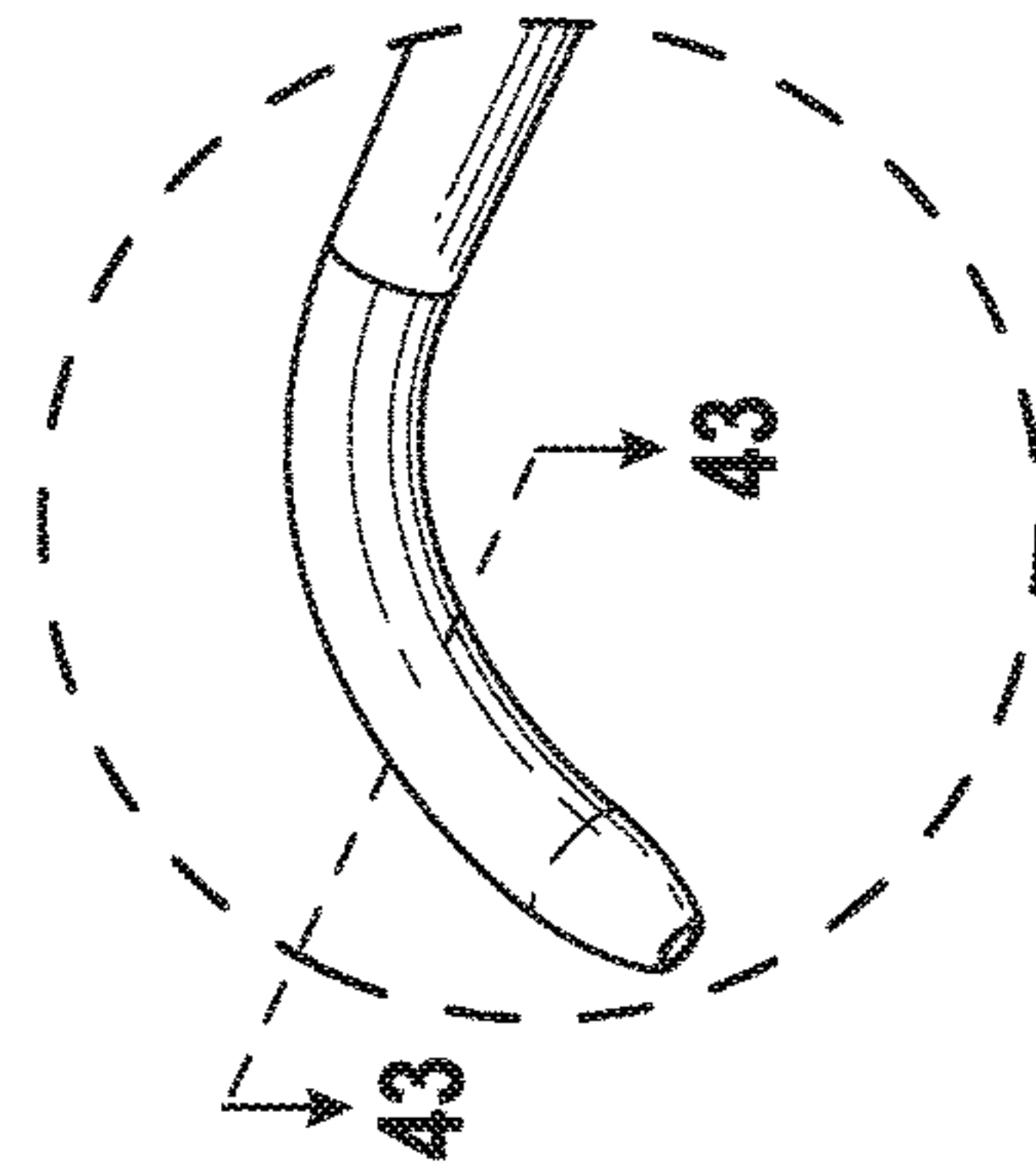


FIG. 30

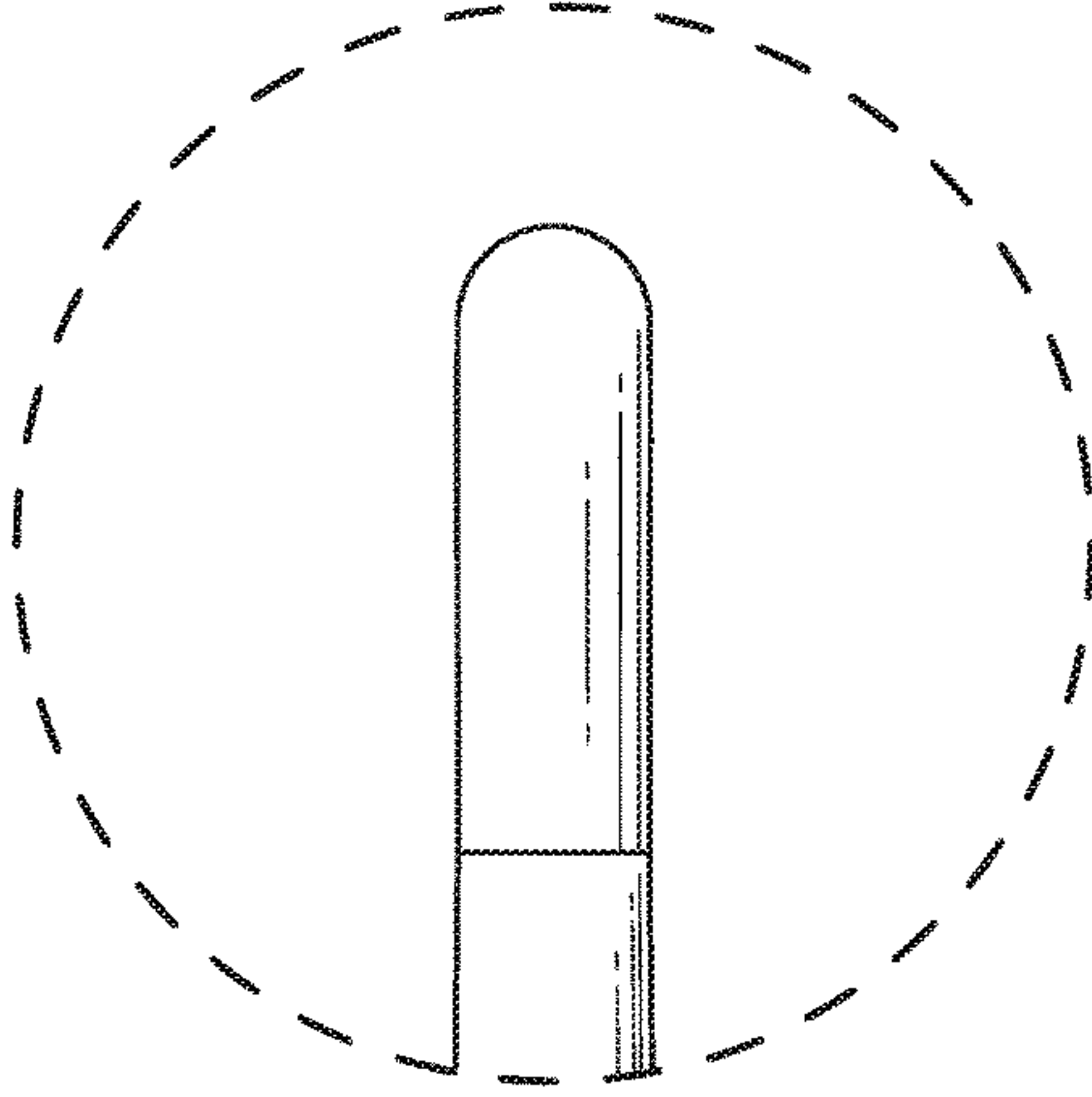
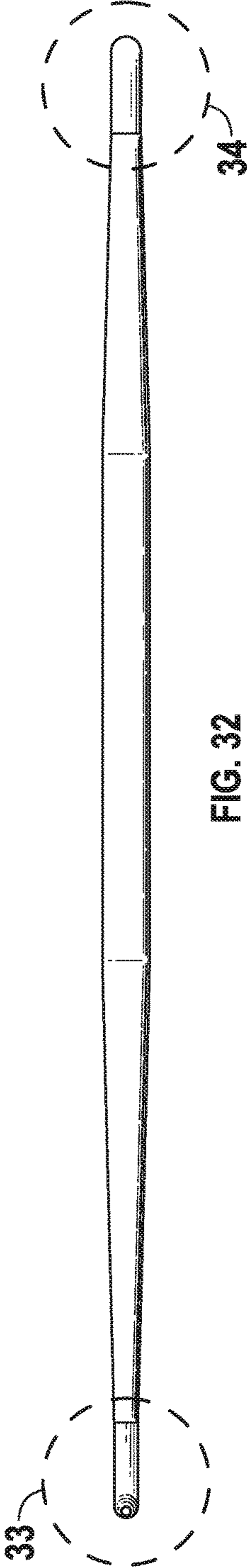


FIG. 34

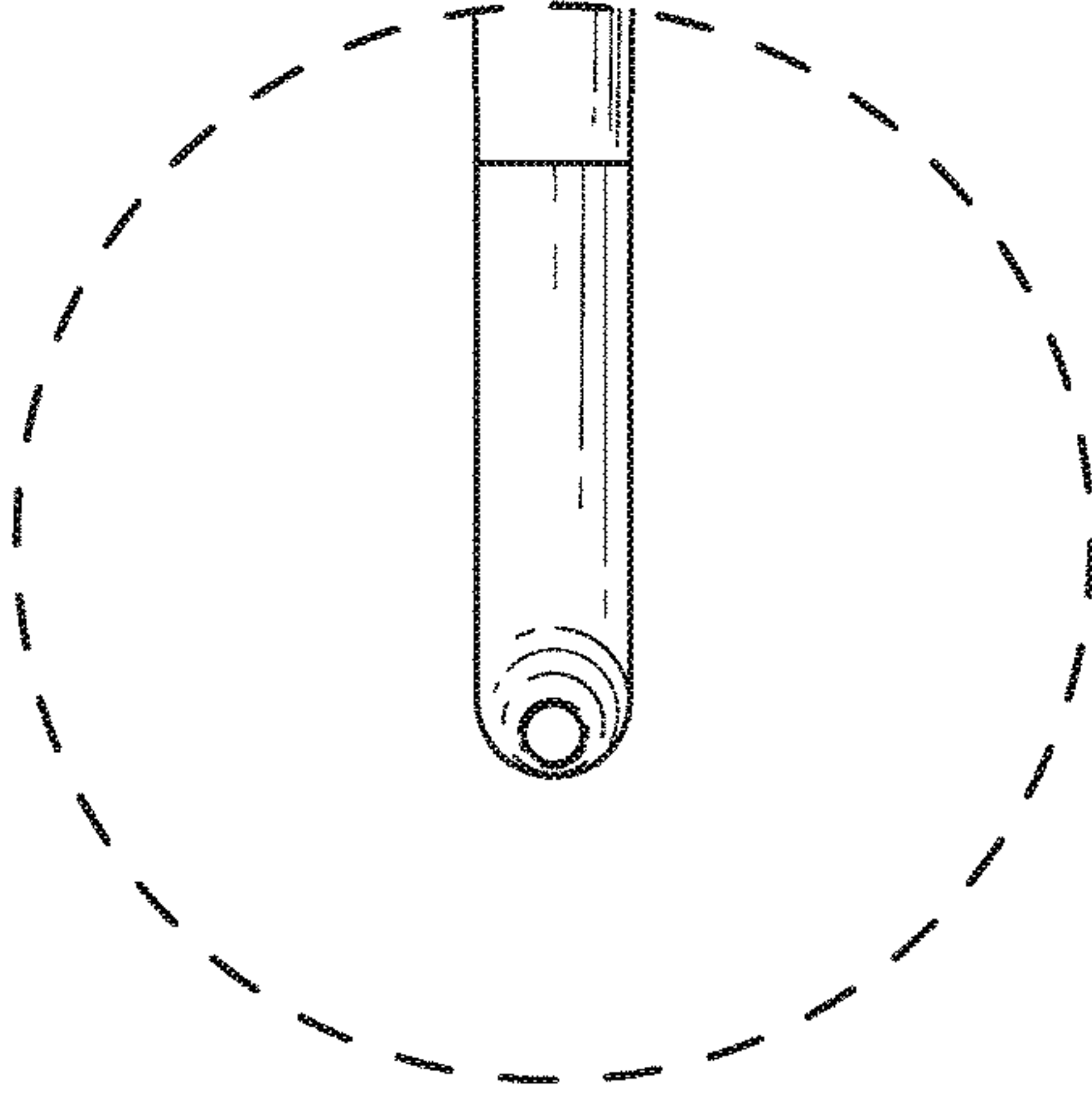


FIG. 33

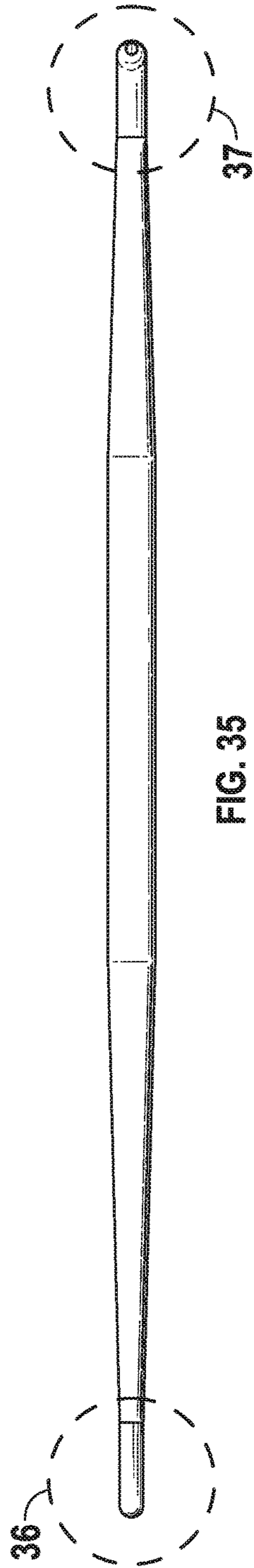


FIG. 35

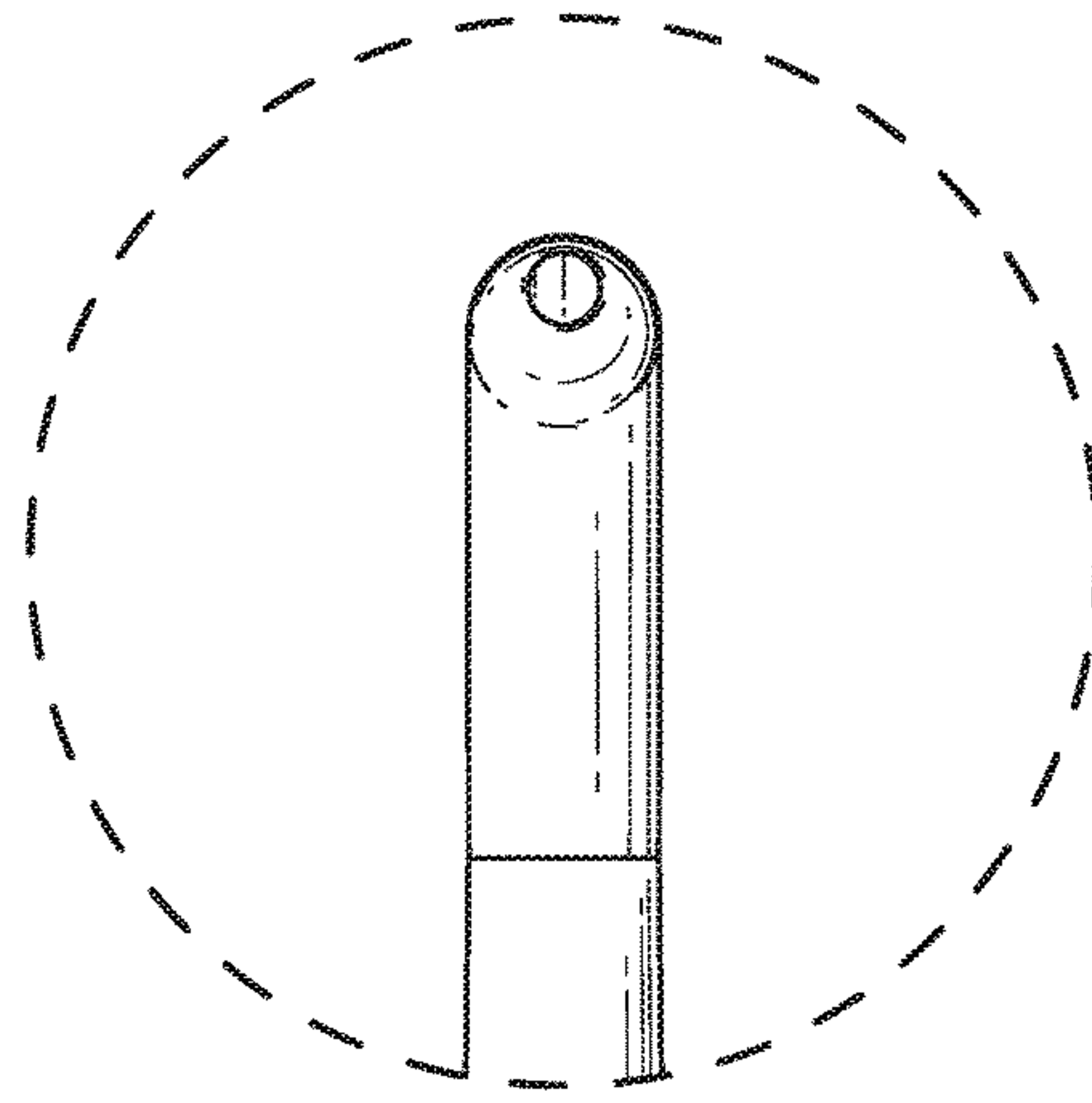


FIG. 37

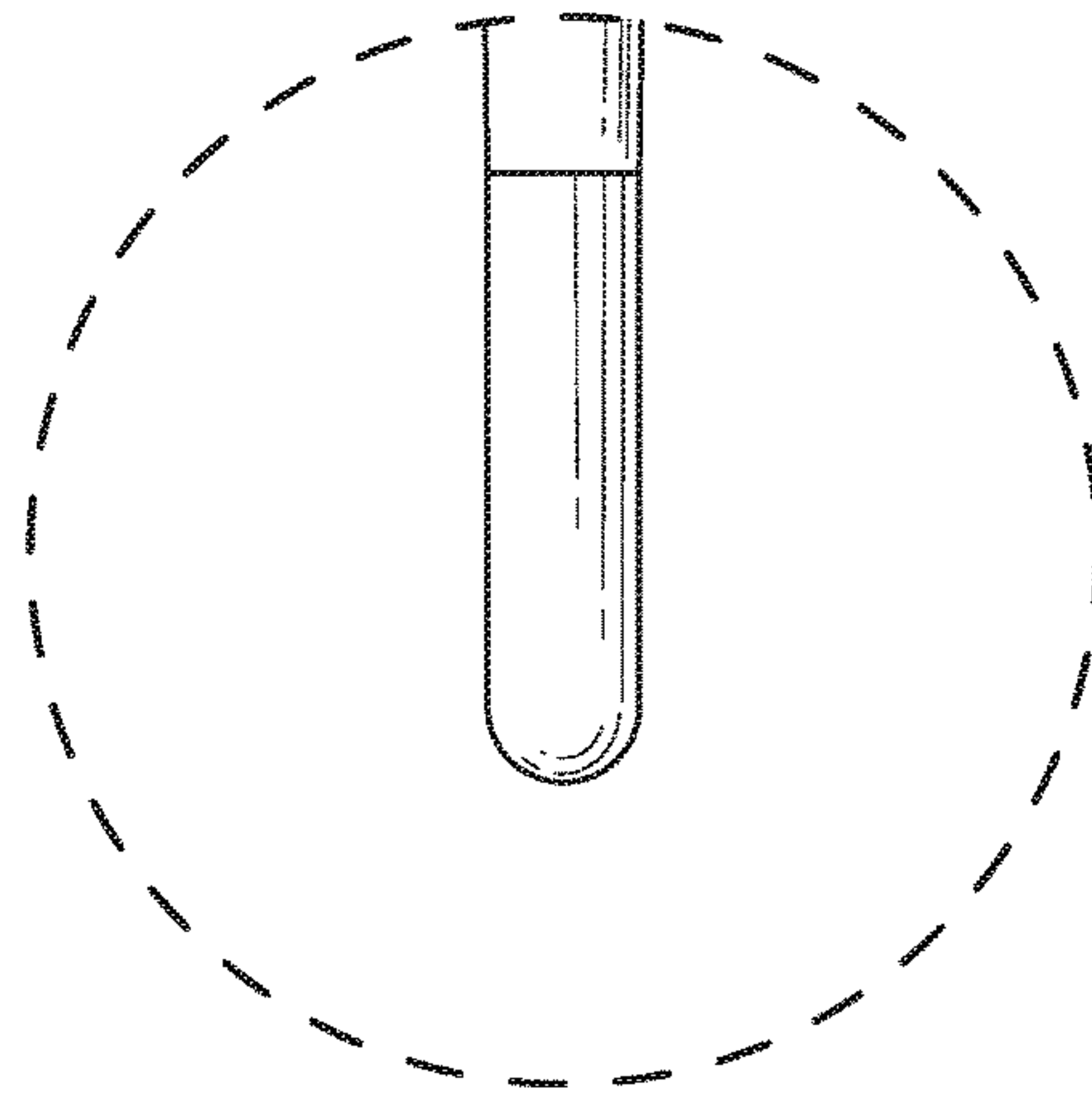


FIG. 36

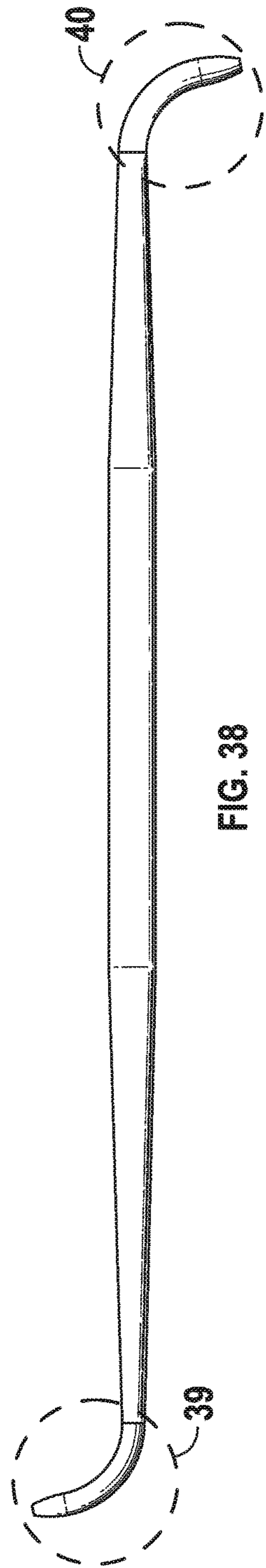


FIG. 38

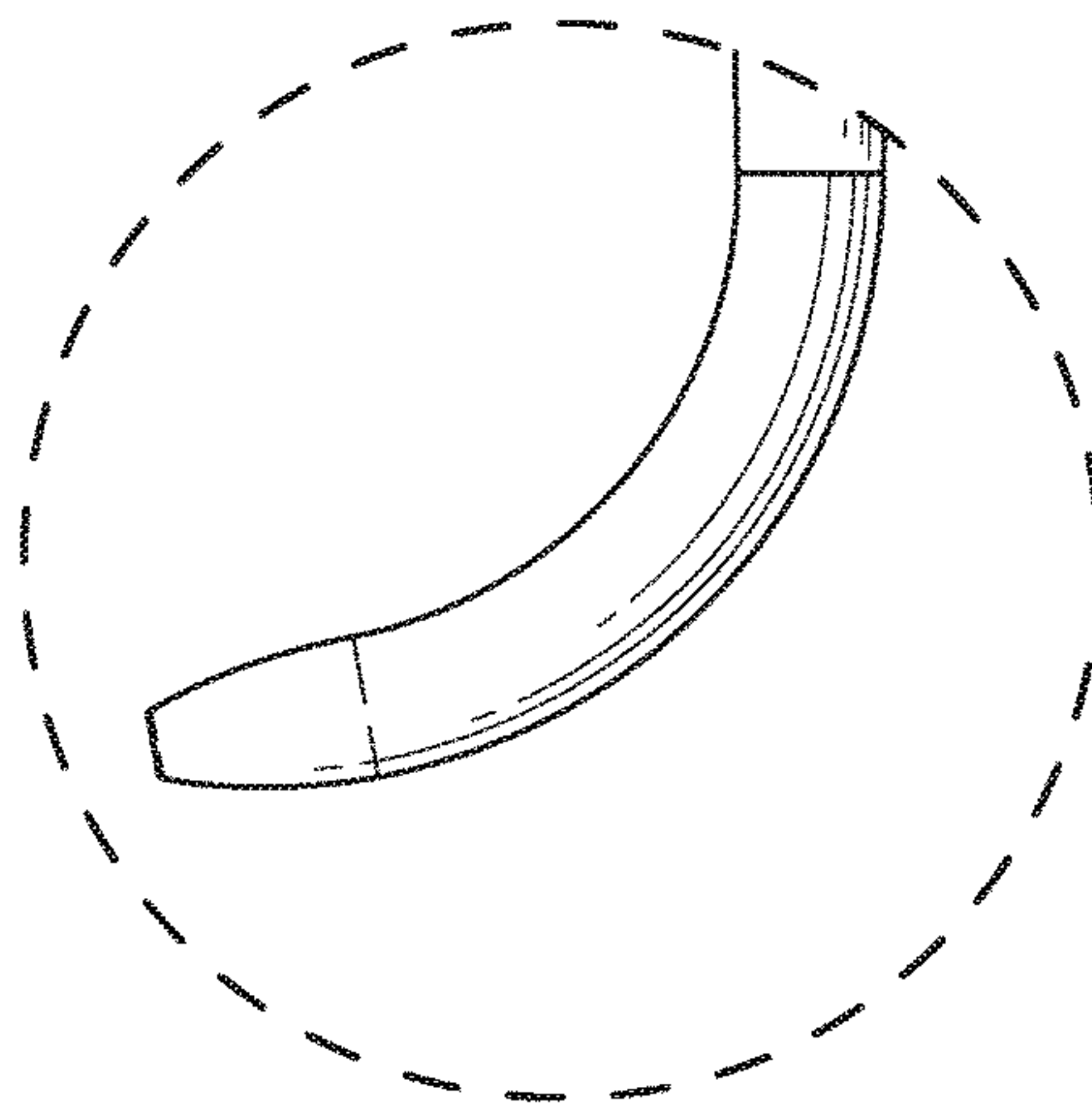


FIG. 39

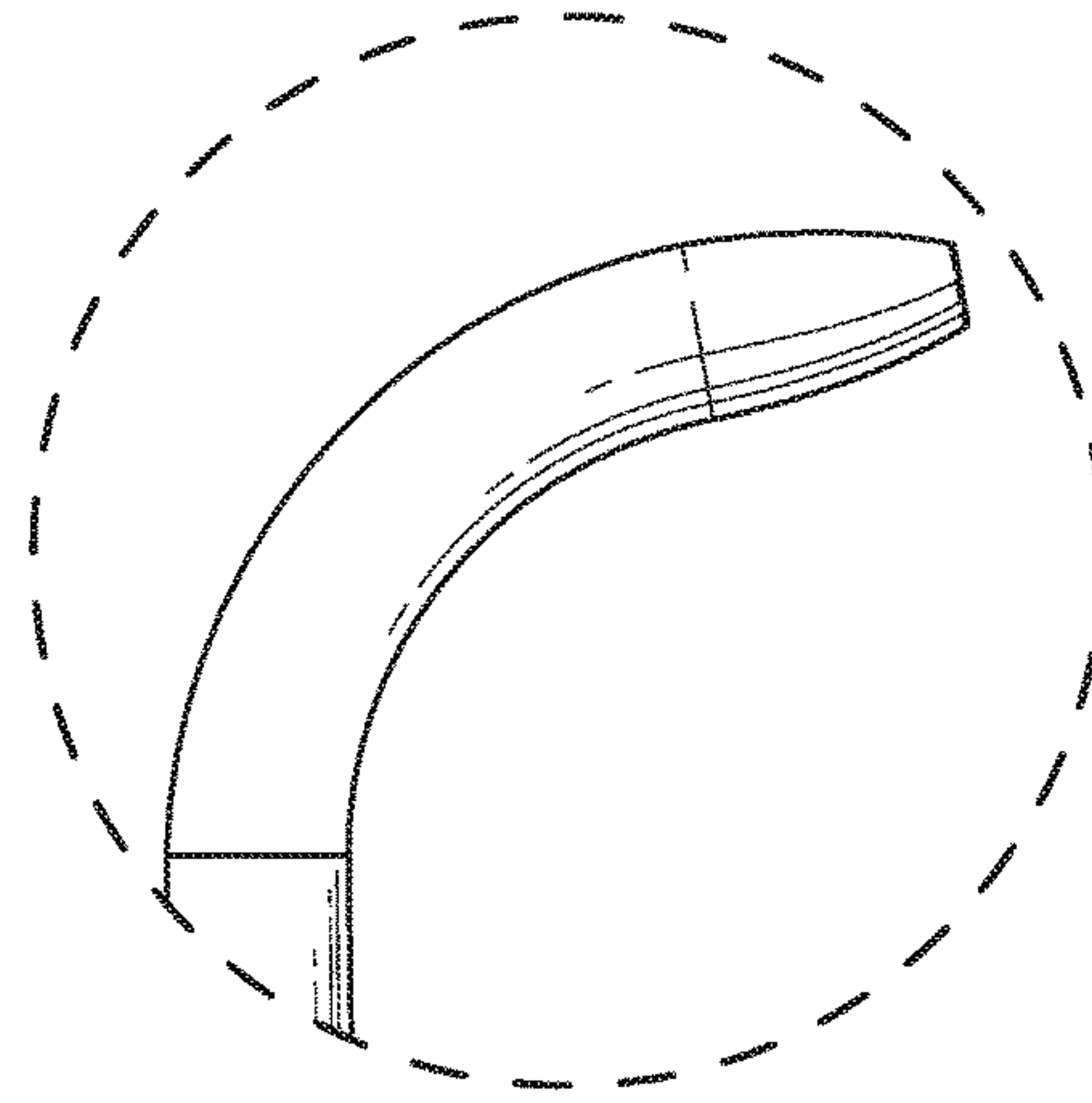


FIG. 40

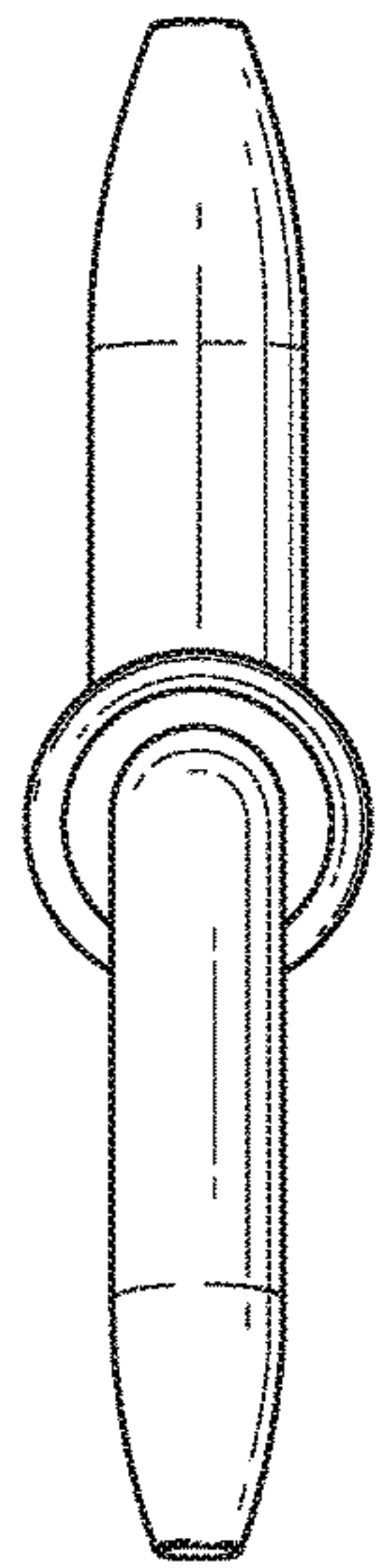


FIG. 42

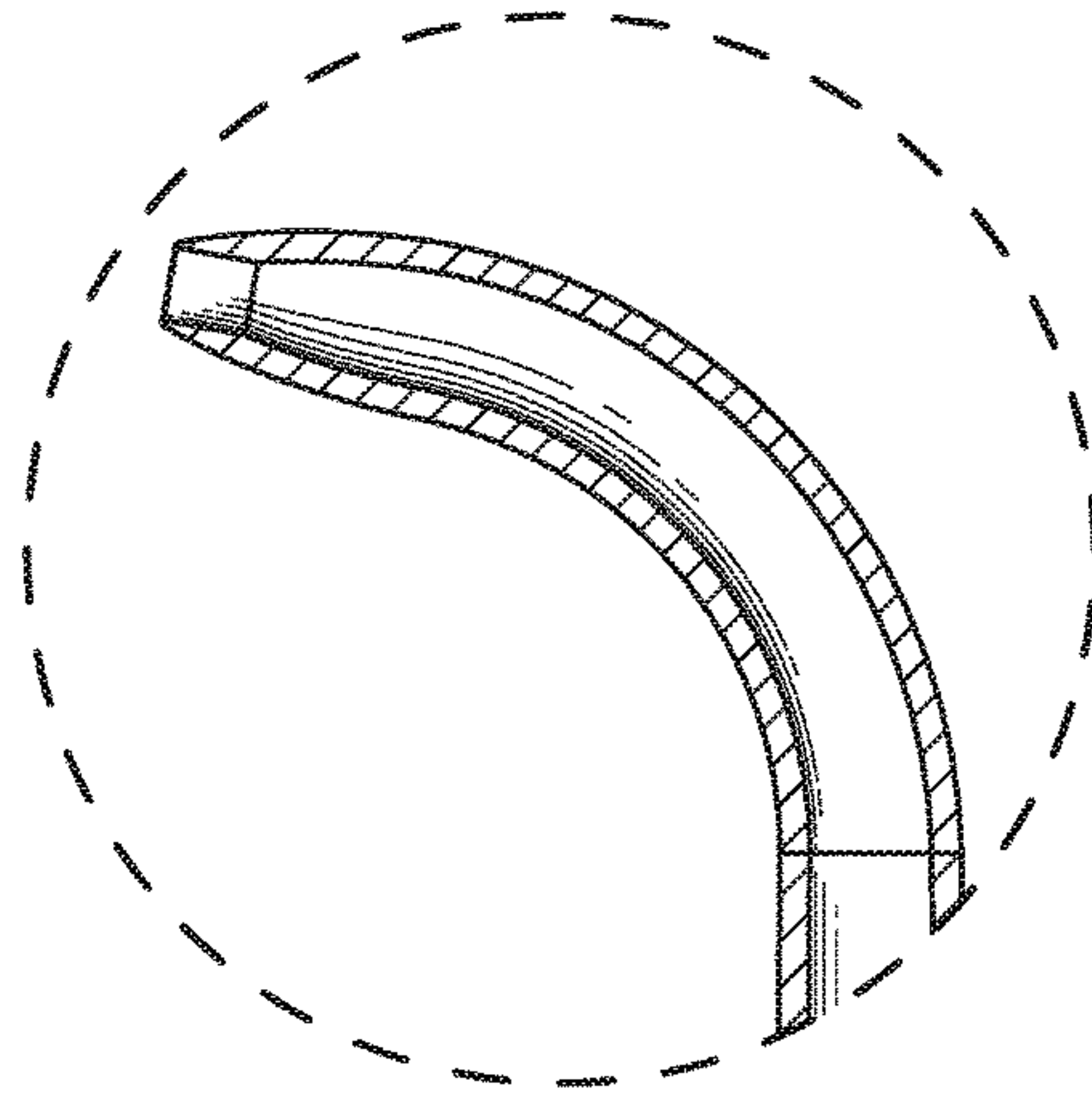


FIG. 44

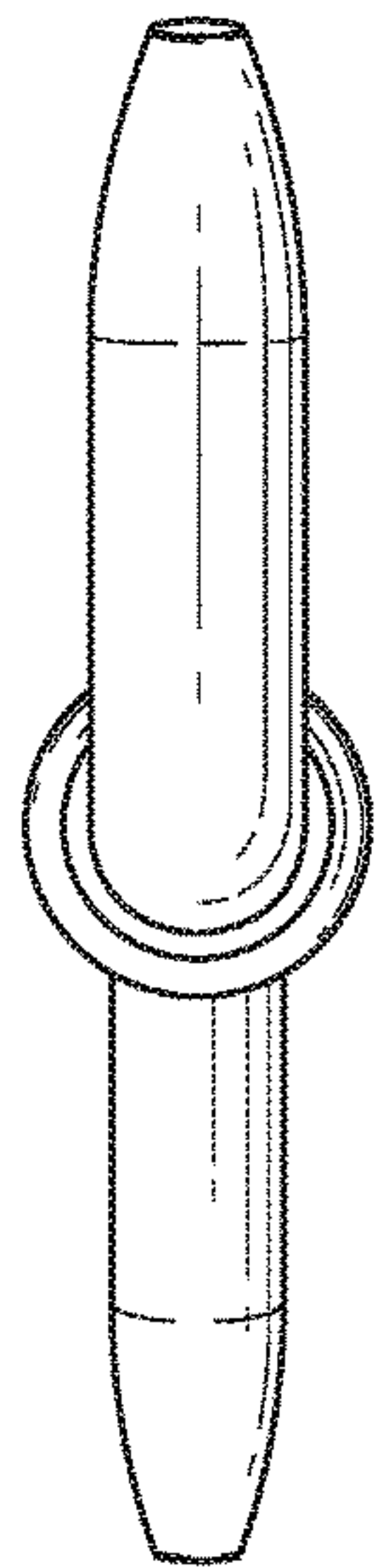


FIG. 41

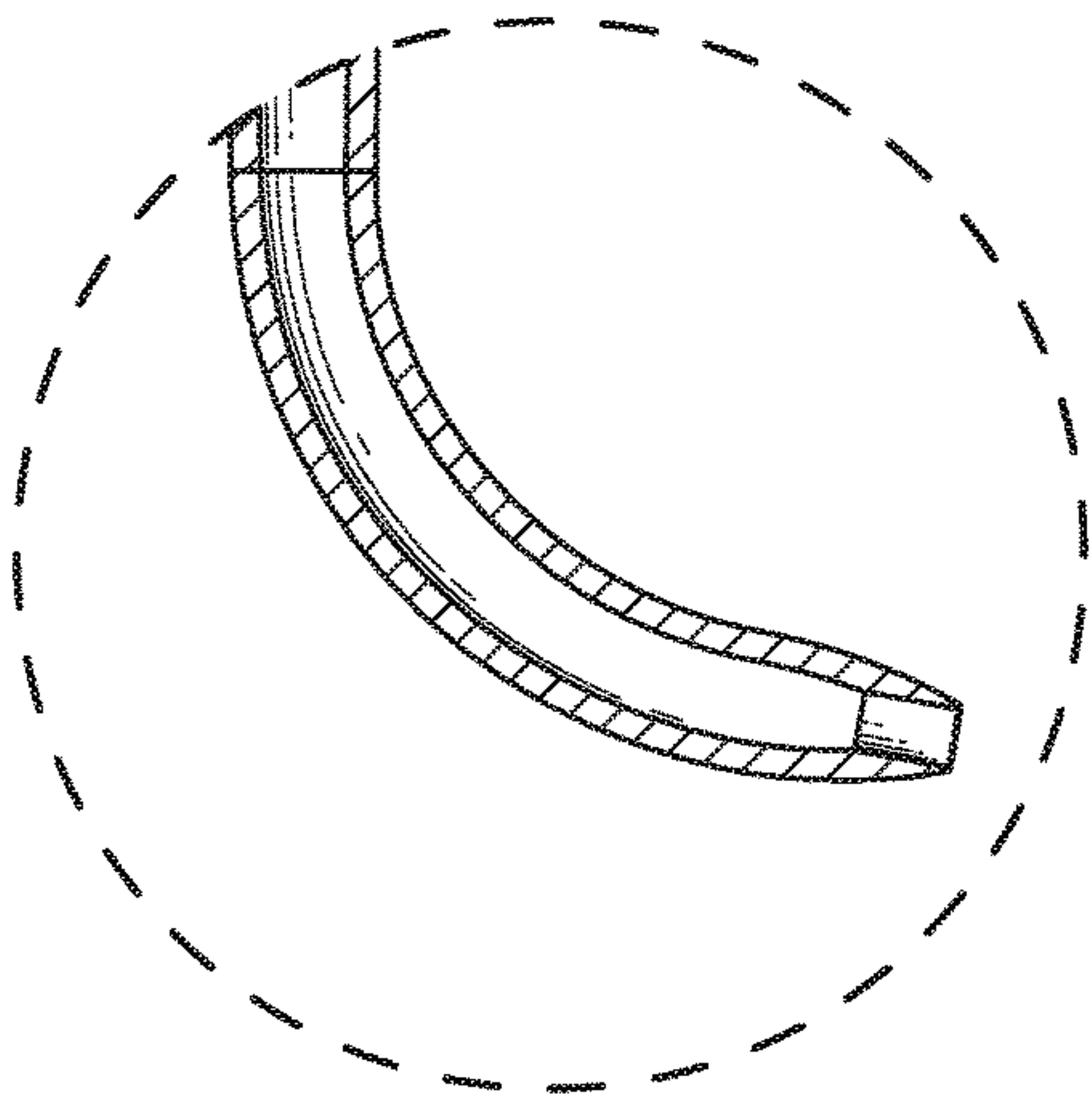


FIG. 43