



US00D804664S

(12) **United States Design Patent** (10) **Patent No.:** **US D804,664 S**
Waimberk et al. (45) **Date of Patent:** **** Dec. 5, 2017**

(54) **SHARPS CONTAINER LID**

- (71) Applicant: **Medline Industries, Inc.**, Mundelein, IL (US)
- (72) Inventors: **Monica Waimberk**, Chicago, IL (US);
James Burgess, Mundelein, IL (US);
Scott Bedoe, McHenry, IL (US)
- (73) Assignee: **Medline Industries, Inc.**, Northfield, IL (US)
- (**) Term: **14 Years**
- (21) Appl. No.: **29/497,598**
- (22) Filed: **Jul. 25, 2014**
- (51) **LOC (10) Cl.** **24-04**
- (52) **U.S. Cl.**
USPC **D24/131**
- (58) **Field of Classification Search**
USPC D24/131, 121, 123, 224; 604/317-324;
206/365, 367
CPC A61M 1/0058; Y10T 137/3109
See application file for complete search history.

(56) **References Cited**

U.S. PATENT DOCUMENTS

2,223,023	A	11/1940	Weileman	
D282,286	S *	1/1986	Gianni	D24/131
D292,037	S *	9/1987	Hanifl	D24/131
4,757,913	A	7/1988	Yerman	
4,762,242	A	8/1988	Harris et al.	
4,842,138	A	6/1989	Snadel et al.	
D302,291	S *	7/1989	Heubel	D24/131
5,024,326	A	6/1991	Sandel et al.	
5,035,703	A	7/1991	Baskas	
5,107,990	A	4/1992	Wicherski et al.	
D330,765	S *	11/1992	Laws	D24/131
5,165,564	A	11/1992	Prout et al.	
5,415,315	A	5/1995	Ramirez	
D436,171	S *	1/2001	Gaba	D24/131
D447,233	S *	8/2001	Bickel	D24/131

(Continued)

OTHER PUBLICATIONS

Muller, David "Restriction Requirement", U.S. Appl. No. 29/497,599, filed Jul. 25, 2014, dated Sep. 14, 2016.
(Continued)

Primary Examiner — David G Muller
(74) *Attorney, Agent, or Firm* — Philip H. Burrus, IV

(57) **CLAIM**

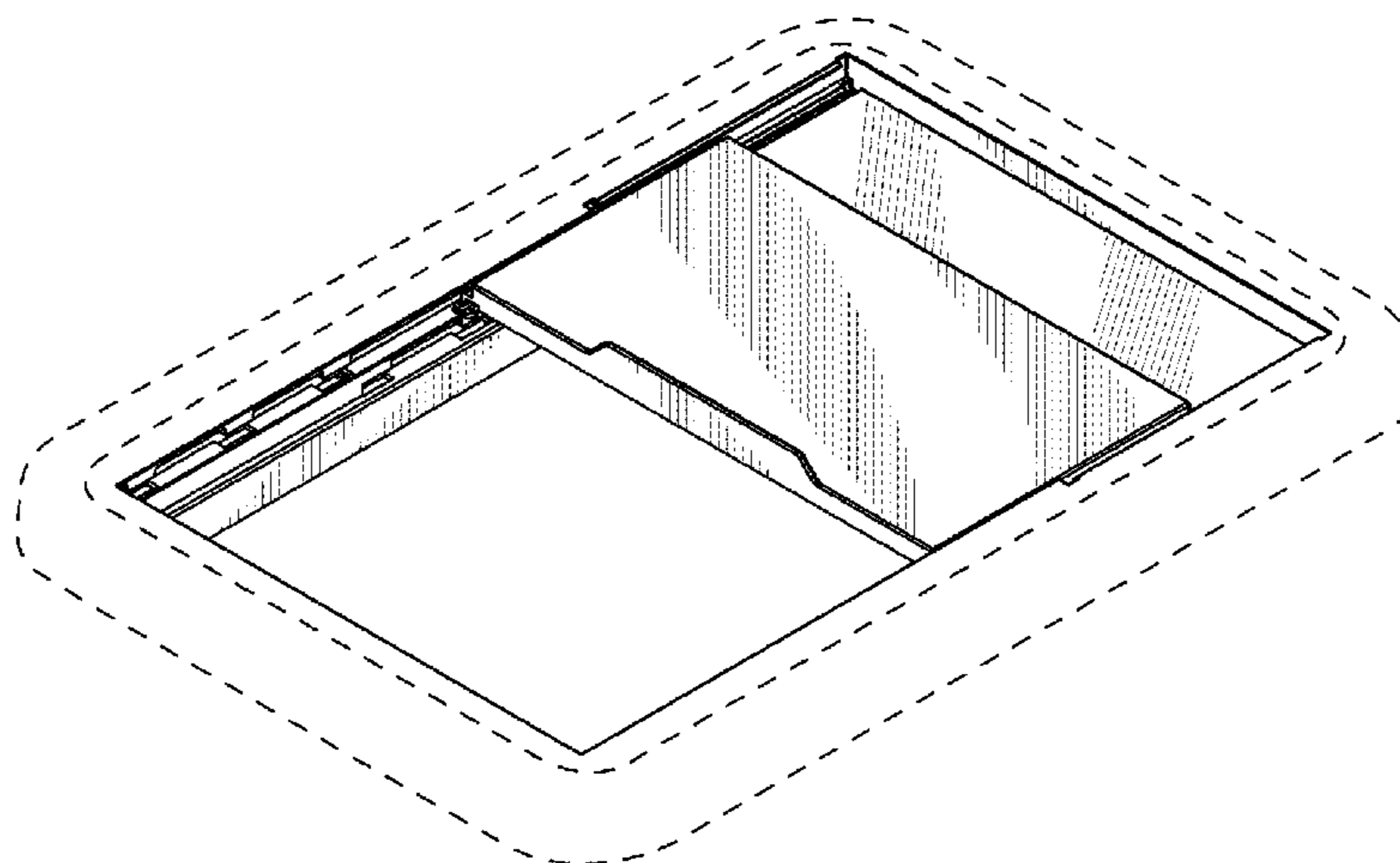
The ornamental design for a sharps container lid, as shown and described.

DESCRIPTION

FIG. 1 is an exploded perspective view of a sharps container lid showing our new design;
 FIG. 2 is another perspective view of a sharps container lid showing our new design with the lid in an open position;
 FIG. 3 is top plan view thereof;
 FIG. 4 is a bottom plan view thereof;
 FIG. 5 is a front elevation view thereof;
 FIG. 6 is a rear elevation view thereof;
 FIG. 7 is a left side elevation view thereof;
 FIG. 8 is right side elevation view thereof;
 FIG. 9 is a top plan view of a sharps container lid showing our new design with the lid in a closed position;
 FIG. 10 is a bottom plan view thereof;
 FIG. 11 is a perspective view thereof;
 FIG. 12 is another perspective view thereof;
 FIG. 13 is another perspective view thereof;
 FIG. 14 is a rear elevation view thereof;
 FIG. 15 is a front elevation view thereof;
 FIG. 16 is a right side elevation view thereof; and,
 FIG. 17 is a left side elevation view thereof.

The features shown in broken lines depict environmental structure only and form no part of the claimed design.

1 Claim, 13 Drawing Sheets



(56)

References Cited

U.S. PATENT DOCUMENTS

6,435,587	B1	8/2002	Flowerday et al.	
D474,840	S *	5/2003	Crawford	D24/131
D482,448	S *	11/2003	Crawford	D24/131
D485,906	S *	1/2004	Danssaert	D24/131
D502,993	S *	3/2005	McArthur	D24/131
D518,173	S *	3/2006	Coates	D24/131
7,584,843	B2	9/2009	Kutsch et al.	
8,087,533	B2	1/2012	Sellers	
D694,882	S *	12/2013	Stark	D24/131
D699,843	S *	2/2014	Stark	D24/131
8,851,282	B2	10/2014	Brunner	
2006/0037484	A1	2/2006	Dixon et al.	
2011/0259152	A1	10/2011	Kovacs	

OTHER PUBLICATIONS

Muller, David "Notice of Allowance", U.S. Appl. No. 29/497,599, filed Jul. 25, 2014, dated Dec. 9, 2016.

Muller, David "Notice of Allowance", U.S. Appl. No. 29/497,599, filed Jul. 25, 2014; dated Mar. 17, 2017.

Eloshway, Niki Marina "NonFinal OA", U.S. Appl. No. 14/341,199, filed Jul. 25, 2014; dated Apr. 6, 2017.

"Medline Catalog", *Slide Lid SharpSafety Sharps Containers by Medtronic*; *Medline Catalog*; <http://www.medline.com/catalog/catalog.jsp>; Unknown Publication date but believed to be prior to present application filing date.

"Medline Catalog", *Slide Lid Sharps-A-Gator Containers by Medtronic*; *Medline Catalog*; <http://www.medline.com/catalog/catalog.jsp>; Unknown Publication date but believed to be prior to present application filing date.

"Medline Catalog", *SharpSafety Transportable Sharps Containers by Covidien*; *Medline Catalog*; <http://www.medline.com/catalog/catalog.jsp>; Unknown Publication date but believed to be prior to present application filing date.

"Medline Catalog", *SharpSafety RCRA Hazardous Waiste (sic) Containers by Medtronic*; *Medline Catalog*; <http://www.medline.com/catalog/catalog.jsp>; Unknown Publication date but believed to be prior to present application filing date.

"Medline Catalog", *SharpSafety Hinged Lid Sharps Containers by Medtronic*; *Medline Catalog*; <http://www.medline.com/catalog/catalog.jsp>; Unknown Publication date but believed to be prior to present application filing date.

"Medline Catalog", *SharpSafety Gasketed Hinged Lid Containers by Medtronic*; *Medline Catalog*; <http://www.medline.com/catalog/catalog.jsp>; Unknown Publication date but believed to be prior to present application filing date.

"Medline Catalog", *SharpSafety Biohazard Waste Containers by Medtronic*; *Medline Catalog*; <http://www.medline.com/catalog/catalog.jsp>; Unknown Publication date but believed to be prior to present application filing date.

"Medline Catalog", *Sharps In-Room Mailbox Style Lid Containers by Medtronic*; *Medline Catalog*; <http://www.medline.com/catalog/catalog.jsp>; Unknown Publication date but believed to be prior to present application filing date.

"Medline Catalog", *Sharps Containers by Medegen Medical*; *Medline Catalog*; <http://www.medline.com/catalog/catalog.jsp>; Unknown Publication date but believed to be prior to present application filing date.

"Medline Catalog", *Sharps Container/Accessories by Becton Dickinson*; *Medline Catalog*; <http://www.medline.com/catalog/catalog.jsp>; Unknown Publication date but believed to be prior to present application filing date.

"Medline Catalog", *Renewables Sharps Disposal Containers by Medtronic*; *Medline Catalog*; <http://www.medline.com/catalog/catalog.jsp>; Unknown Publication date but believed to be prior to present application filing date.

"Medline Catalog", *PG2 Slide Lid Sharps Containers by Medtronic*; *Medline Catalog*; <http://www.medline.com/catalog/catalog.jsp>; Unknown Publication date but believed to be prior to present application filing date.

"Medline Catalog", *Multipurpose Sharps Containers*; *Medline Catalog*; <http://www.medline.com/catalog/catalog.jsp>; Unknown Publication date but believed to be prior to present application filing date.

"Medline Catalog", *Mobile Sharps Containment by Marketlab*; *Medline Catalog*; <http://www.medline.com/catalog/catalog.jsp>; Unknown Publication date but believed to be prior to present application filing date.

"Medline Catalog", *Large Volume Sharps Containers by Bemis Mfg*; *Medline Catalog*; <http://www.medline.com/catalog/catalog.jsp>; Unknown Publication date but believed to be prior to present application filing date.

"Medline Catalog", *Large Volume Sharps Containers by Bemis Inc*; *Medline Catalog*; <http://www.medline.com/catalog/catalog.jsp>; Unknown Publication date but believed to be prior to present application filing date.

"Medline Catalog", *Large PG-II Containers*; *Medline Catalog*; <http://www.medline.com/catalog/catalog.jsp>; Unknown Publication date but believed to be prior to present application filing date.

"Medline Catalog", *Large Hands-Free Sharps Cart by Marketlab*; *Medline Catalog*; <http://www.medline.com/catalog/catalog.jsp>; Unknown Publication date but believed to be prior to present application filing date.

"Medline Catalog", *Hinged Top Waste Sharps Containers by Covidien*; *Medline Catalog*; <http://www.medline.com/catalog/catalog.jsp>; Unknown Publication date but believed to be prior to present application filing date.

"Medline Catalog", *Chemotherapy Sharps Collectors by Becton Dickinson*; *Medline Catalog*; <http://www.medline.com/catalog/catalog.jsp>; Unknown Publication date but believed to be prior to present application filing date.

"Medline Catalog", *Biomax Large Containers w/Sealing Gasket by Covidien*; *Medline Catalog*; <http://www.medline.com/catalog/catalog.jsp>; Unknown Publication date but believed to be prior to present application filing date.

"Medline Catalog", *8 Gallon Sharpstar by MarketLab*; *Medline Catalog*; <http://www.medline.com/catalog/catalog.jsp>; Unknown Publication date but believed to be prior to present application filing date.

* cited by examiner

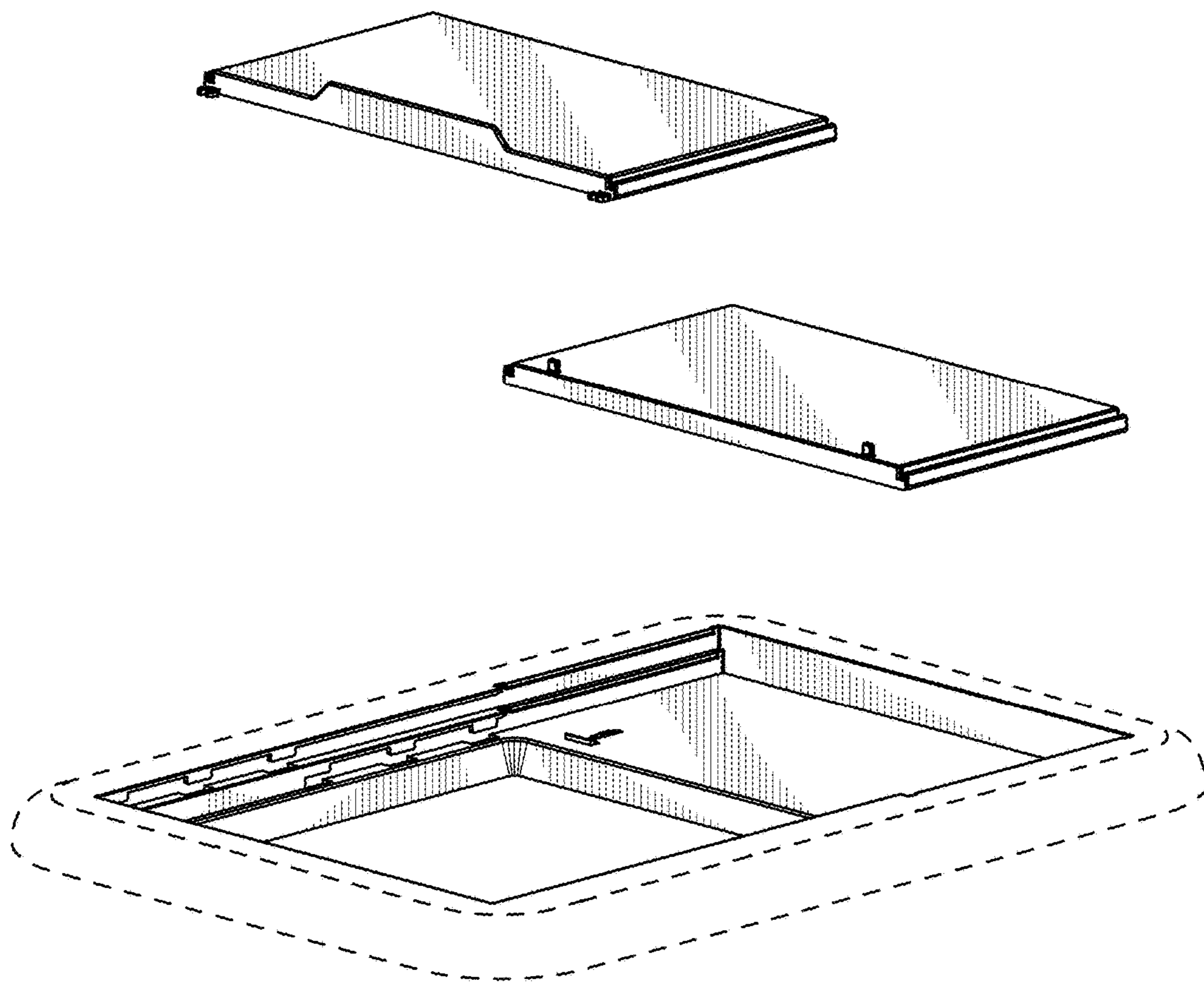


FIG. 1

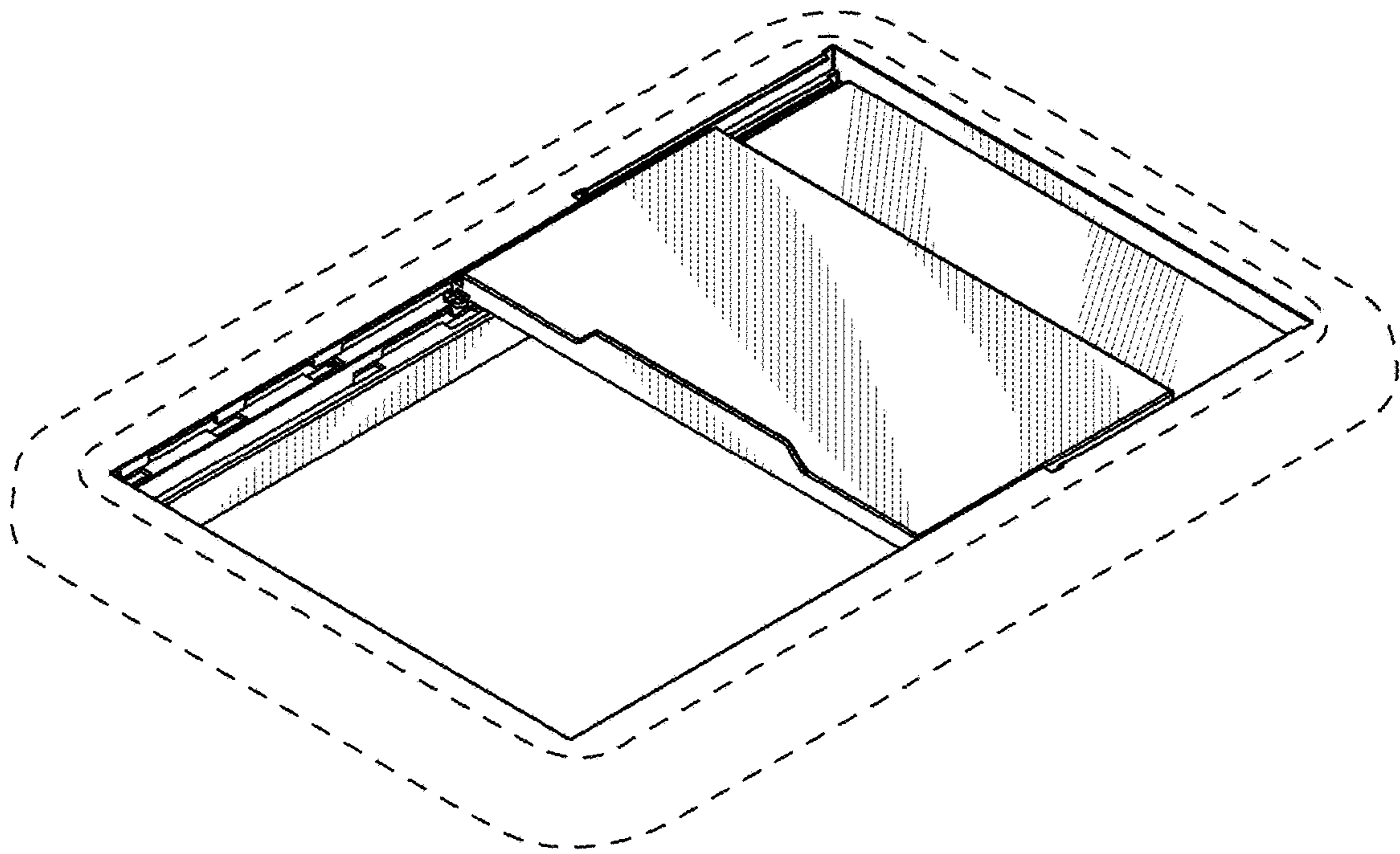


FIG. 2

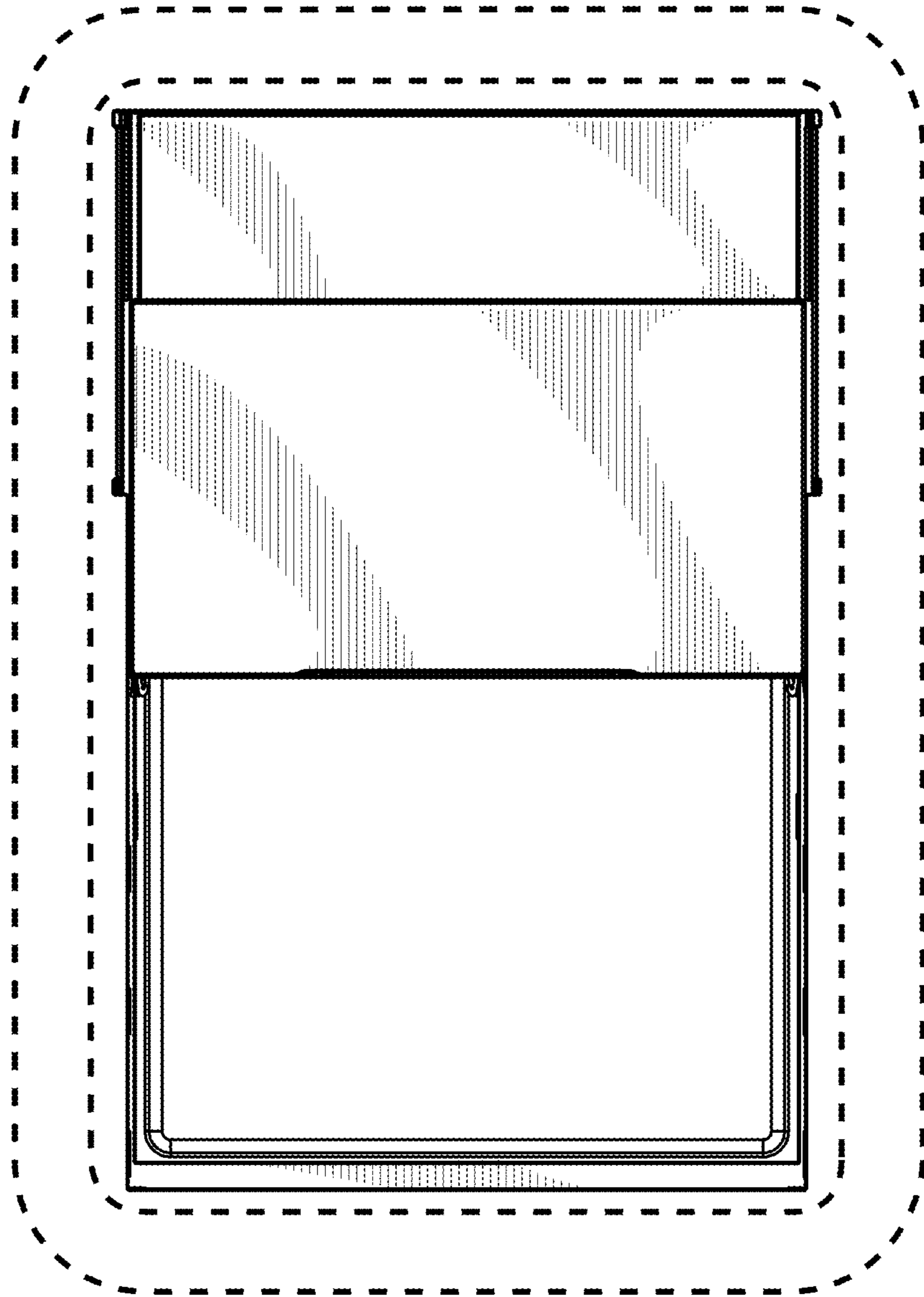


FIG. 3

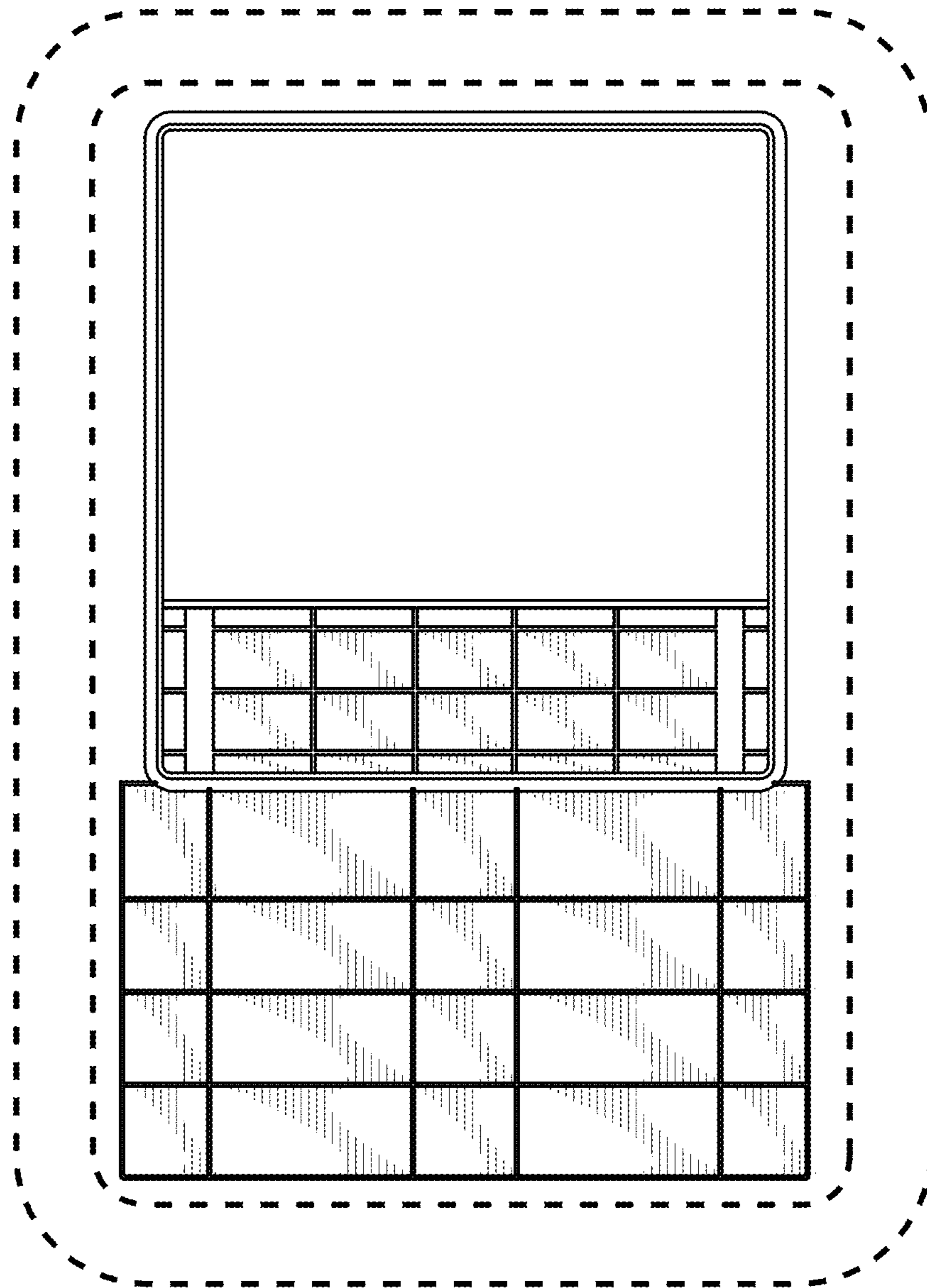


FIG. 4

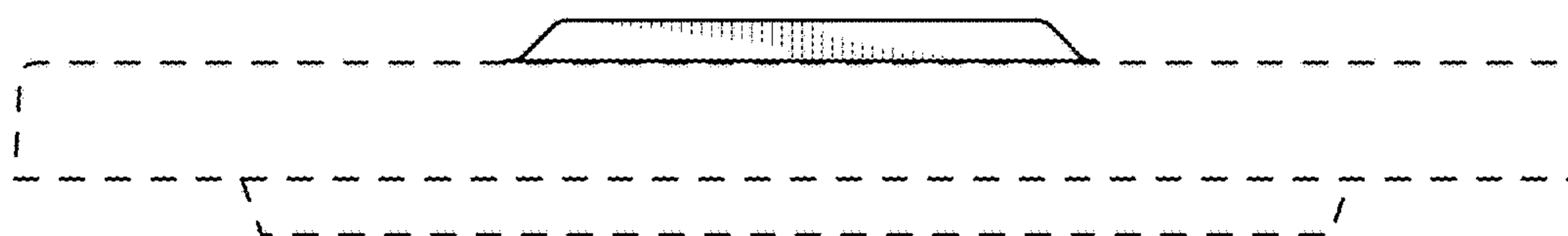


FIG. 5

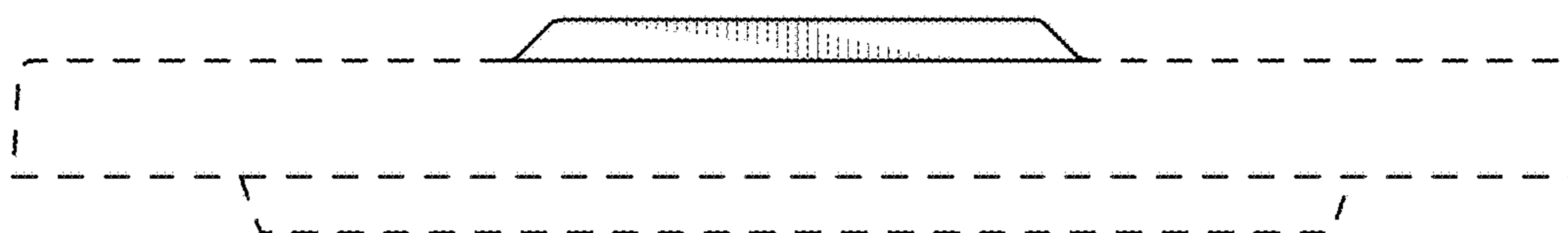


FIG. 6

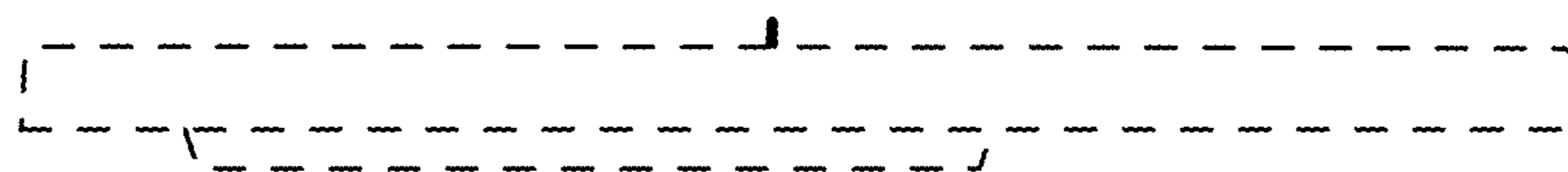


FIG. 7

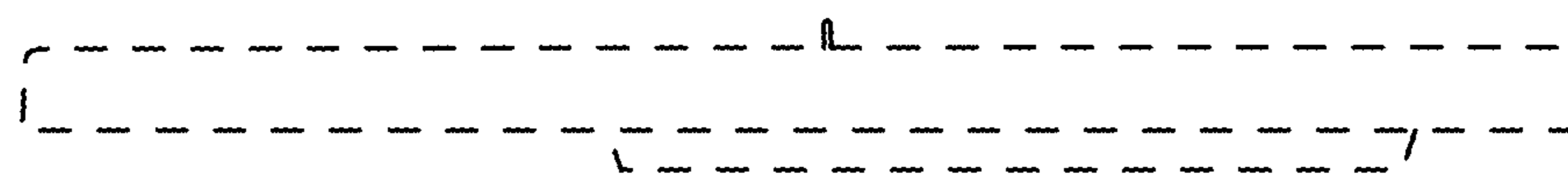


FIG. 8

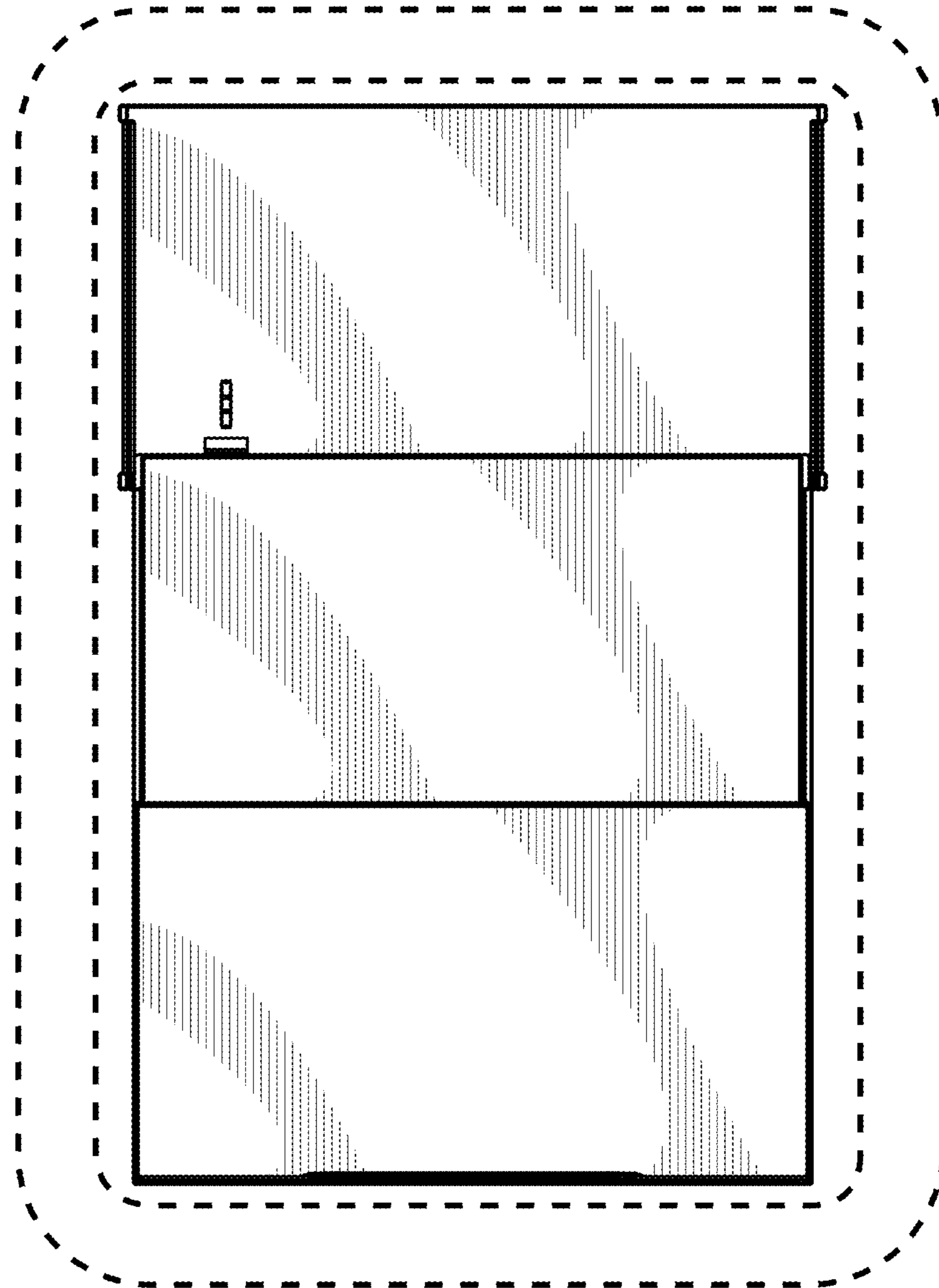


FIG. 9

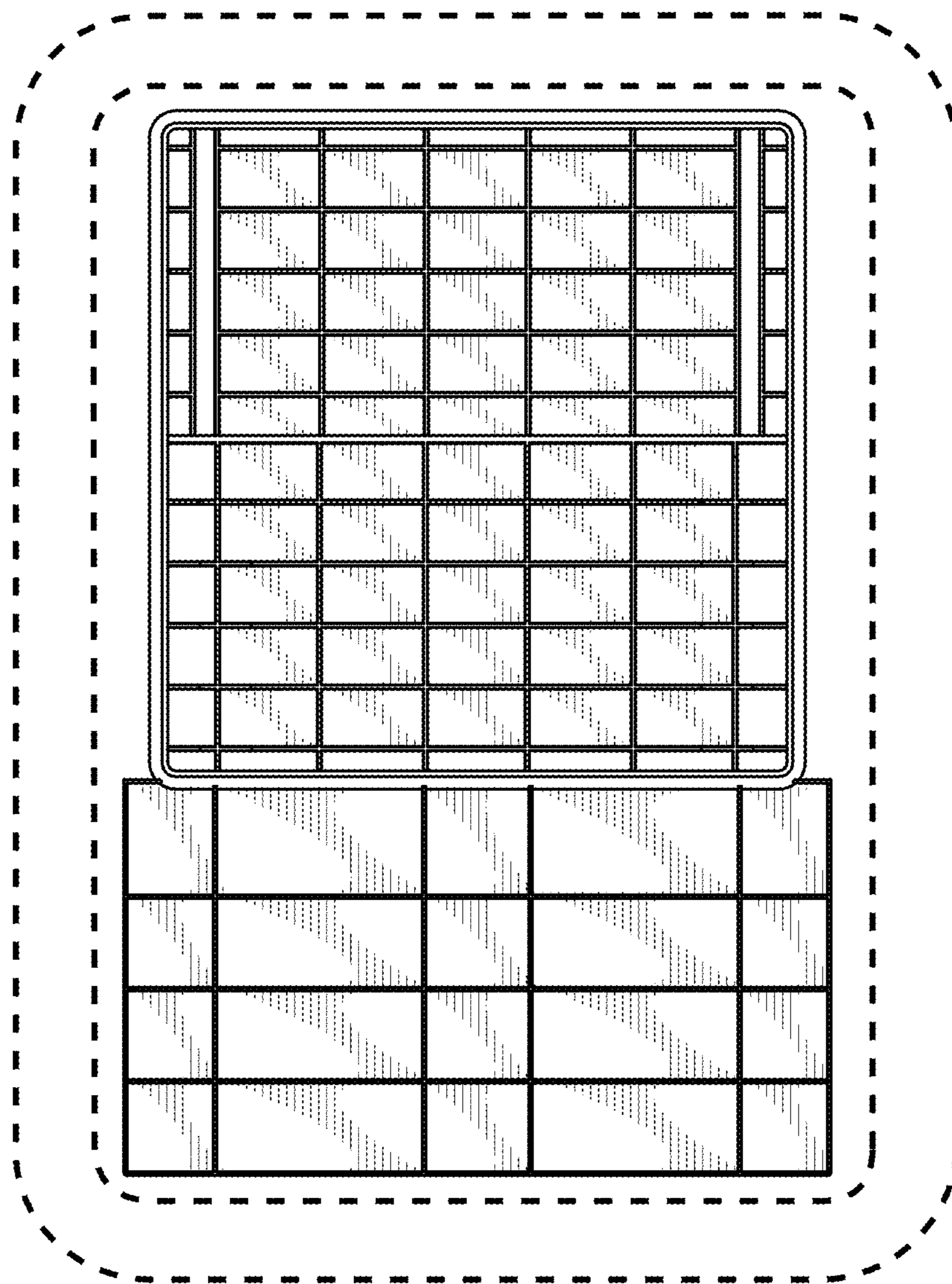


FIG. 10

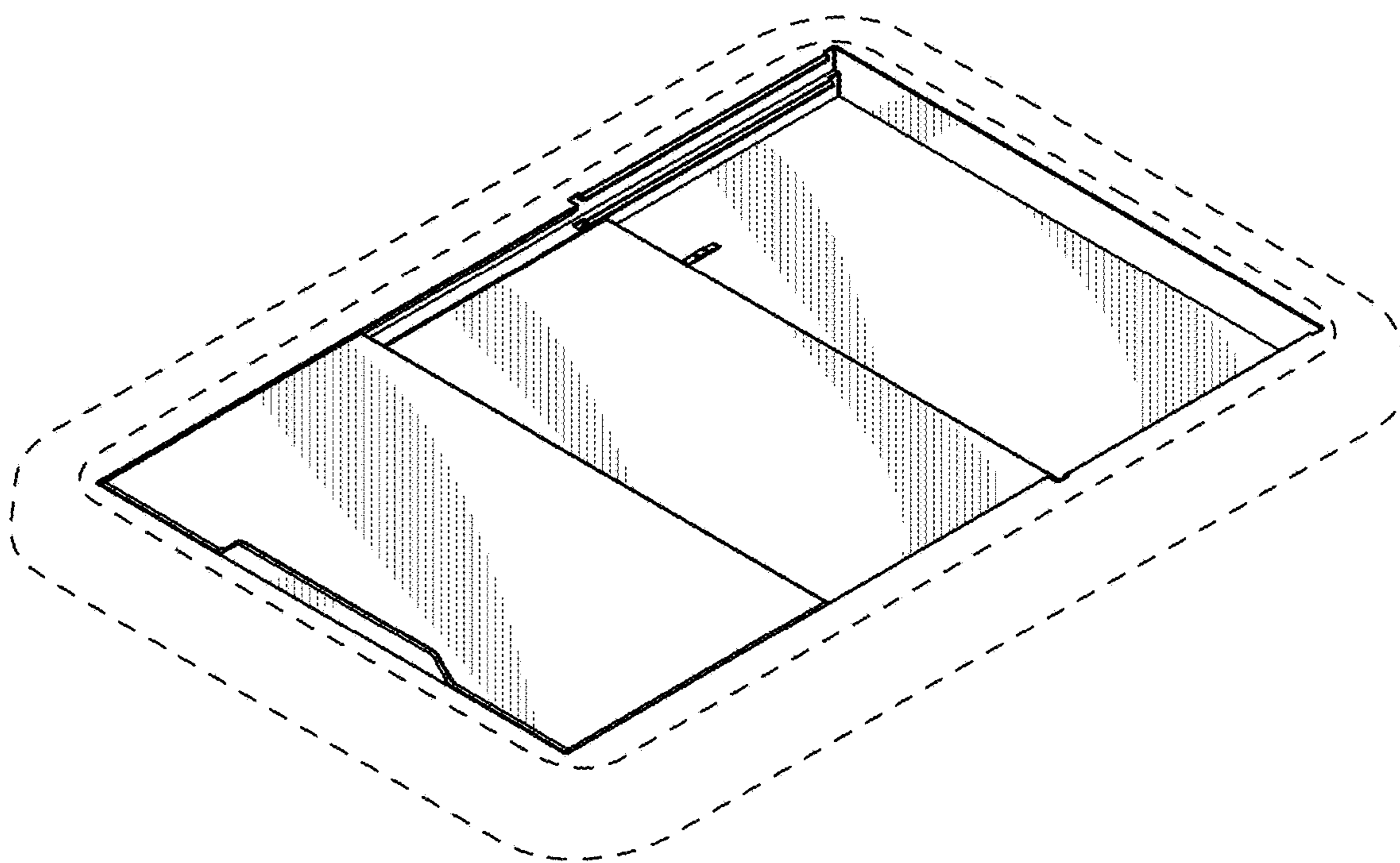


FIG. 11

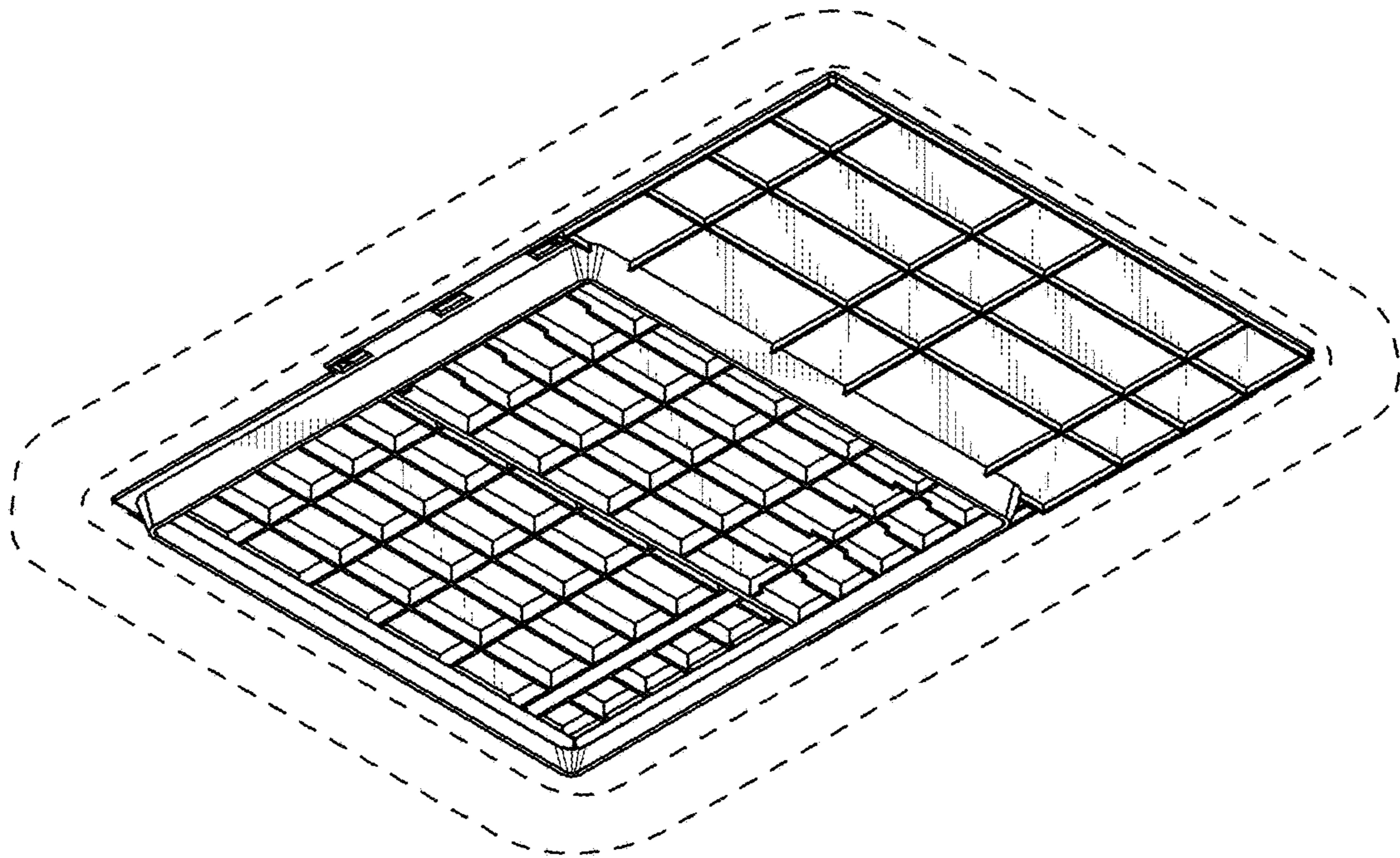


FIG. 12

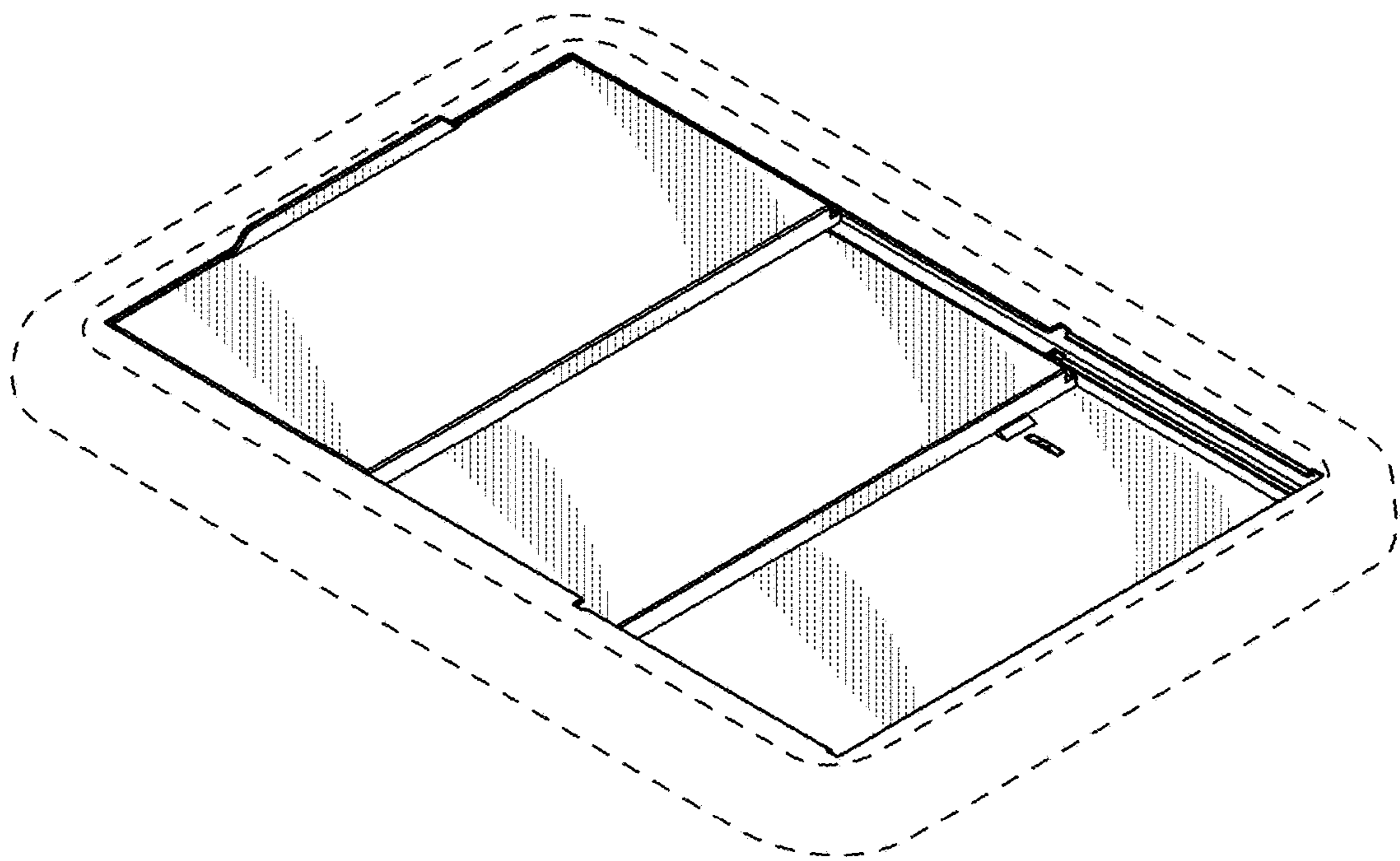


FIG. 13

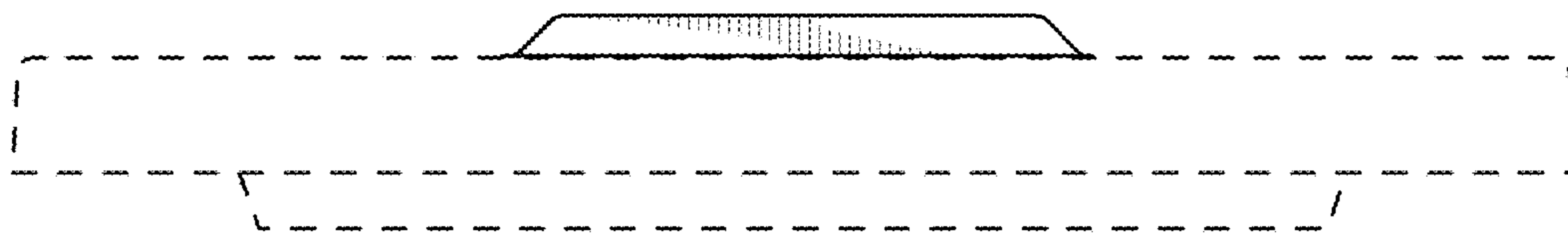


FIG. 14

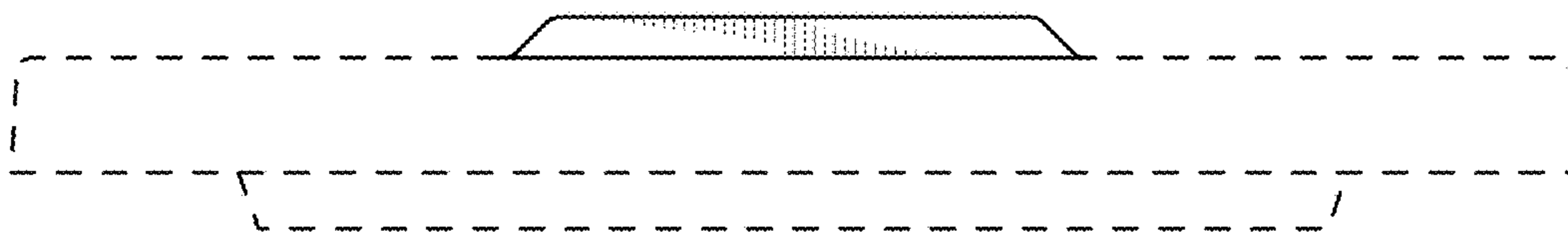


FIG. 15

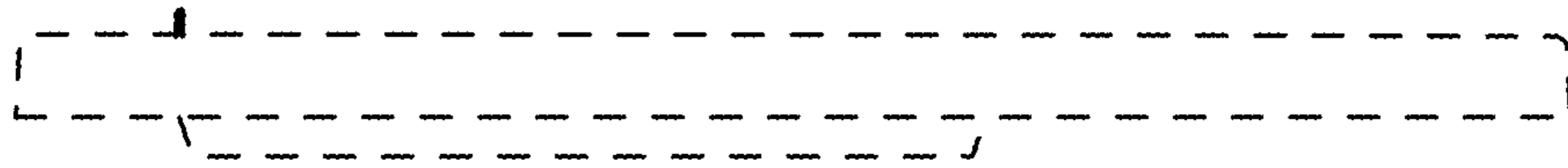


FIG. 16

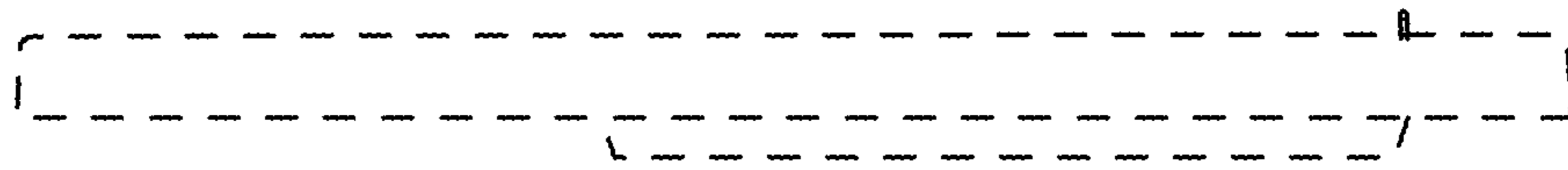


FIG. 17