



US00D804663S

(12) **United States Design Patent** (10) **Patent No.:** **US D804,663 S**
Jenkins (45) **Date of Patent:** **** Dec. 5, 2017**

(54) **INTRODUCER HUB**
(71) Applicant: **Merit Medical Systems, Inc.**, South Jordan, UT (US)
(72) Inventor: **Richard Jenkins**, Kennett Square, PA (US)
(73) Assignee: **Merit Medical Systems, Inc.**, South Jordan, UT (US)

D581,044 S * 11/2008 Sudo D24/130
D581,045 S * 11/2008 Sudo D24/130
D660,418 S * 5/2012 Kuczek D24/130
D668,760 S * 10/2012 Kawamura D24/130
D675,317 S * 1/2013 Baxter D24/130
8,753,313 B2 * 6/2014 Kimmel A61M 25/0043
604/161
D710,005 S * 7/2014 Kawamura D24/130
D751,705 S * 3/2016 Hitscherich, Jr. D24/130
2011/0125097 A1 * 5/2011 Shaw A61M 5/158
604/164.12

(**) Term: **15 Years**

* cited by examiner
Primary Examiner — David G Muller
(74) *Attorney, Agent, or Firm* — Stoel Rives LLP

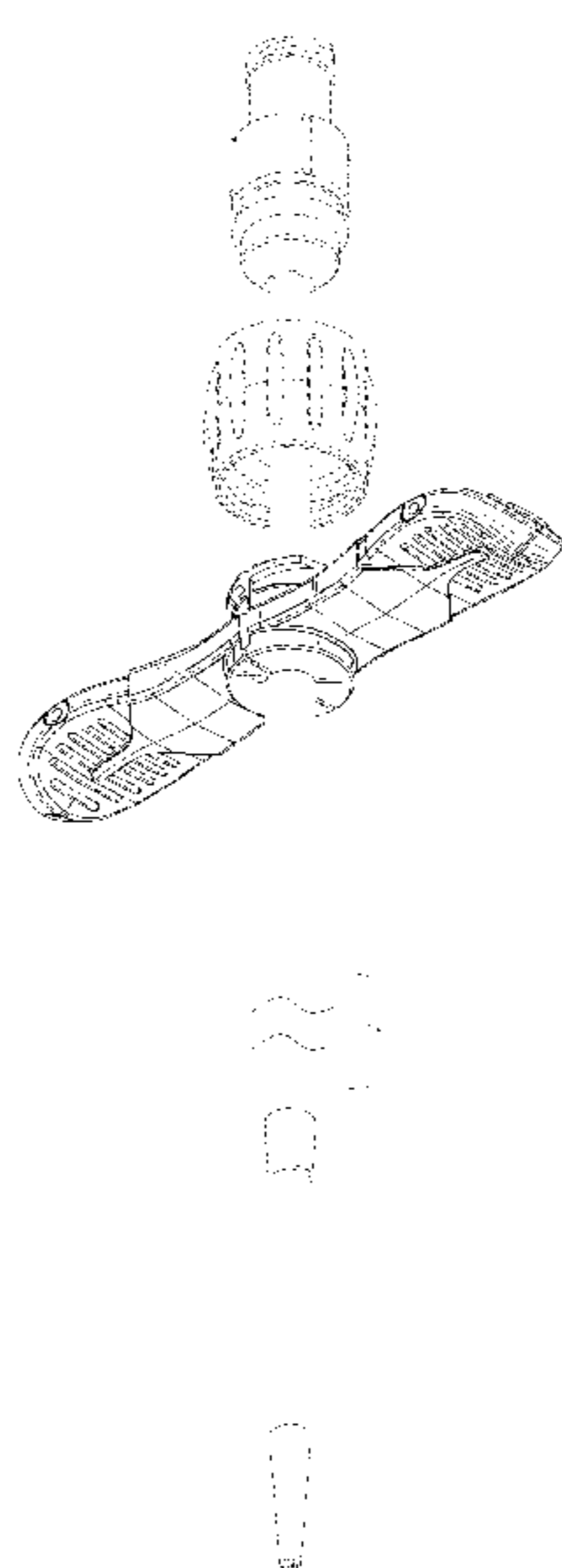
(21) Appl. No.: **29/577,001**
(22) Filed: **Sep. 8, 2016**
(51) **LOC (10) Cl.** **24-02**
(52) **U.S. Cl.**
USPC **D24/130**
(58) **Field of Classification Search**
USPC D24/127–131, 112–114, 133, 186;
606/181, 185; 604/264, 523–528, 272,
604/187, 158, 164.01–164.11, 181, 184,
604/227; 600/101, 139, 143;
128/200.24, 207.14, 207.15
CPC .. A61M 25/065; A61M 5/42; A61M 25/0612;
A61M 25/00; A61M 39/00; A61M 27/00;
A61M 25/0043; A61M 25/0067; A61M
25/0097; A61F 2/958
See application file for complete search history.

(57) **CLAIM**
The ornamental design for an introducer hub, as shown and described.

DESCRIPTION
FIG. 1 is a perspective view of an introducer hub including an exploded introducer hub assembly in broken lines.
FIG. 2 is a second perspective view of the introducer hub of FIG. 1 with an introducer hub assembly in broken lines.
FIG. 3 is a top perspective view of the introducer hub of FIG. 1,
FIG. 4 is a bottom perspective view of the introducer hub of FIG. 1.
FIG. 5 is a top view of the introducer hub of FIG. 1.
FIG. 6 is a bottom view of the introducer hub of FIG. 1.
FIG. 7 is a front view of the introducer hub of FIG. 1.
FIG. 8 is a rear view of the introducer hub of FIG. 1.
FIG. 9 is a right side view of the introducer hub of FIG. 1; and,
FIG. 10 is a left side view of the introducer hub of FIG. 1.
The broken lines showing of parts of the drawings are included for the purpose of illustrating use and environment and forms no part of the claimed design.

(56) **References Cited**
U.S. PATENT DOCUMENTS
D425,198 S * 5/2000 Porta D24/114
D449,379 S * 10/2001 Fuhr D24/133
D450,839 S * 11/2001 Junker D24/130
D532,513 S * 11/2006 Eddings D24/127
D543,278 S * 5/2007 Numata D24/114
D573,256 S * 7/2008 Mauch D24/130
D576,276 S * 9/2008 Osypka D24/130

1 Claim, 4 Drawing Sheets



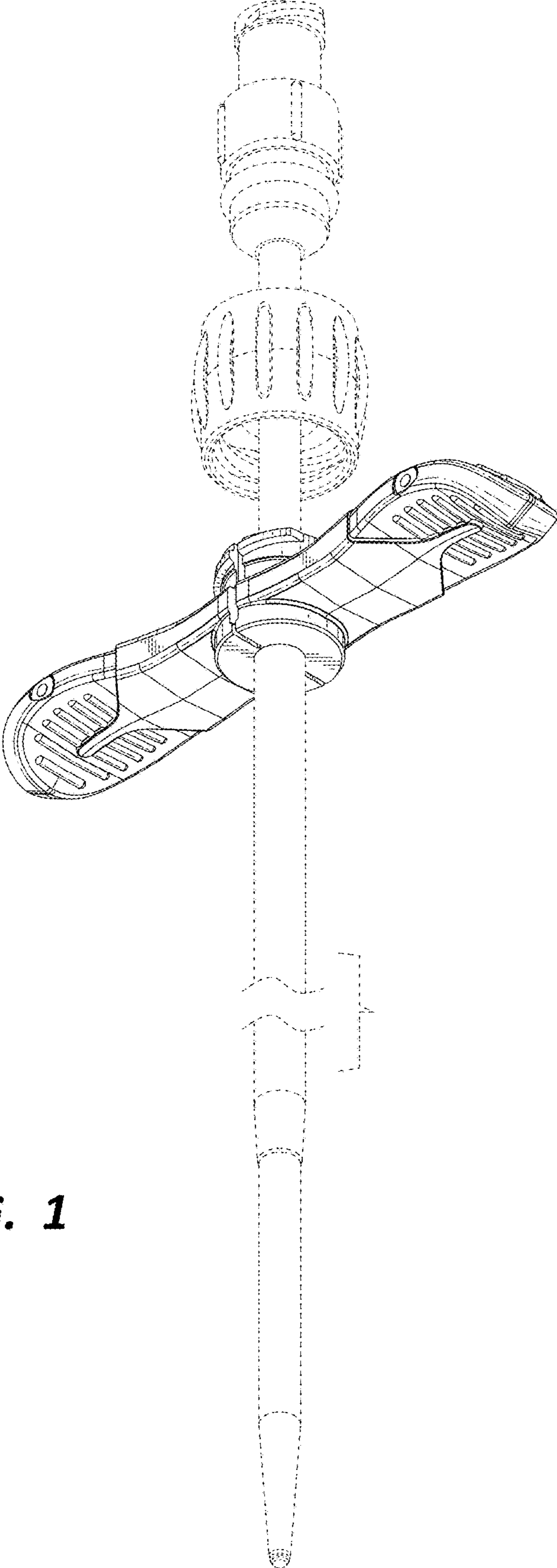


FIG. 1

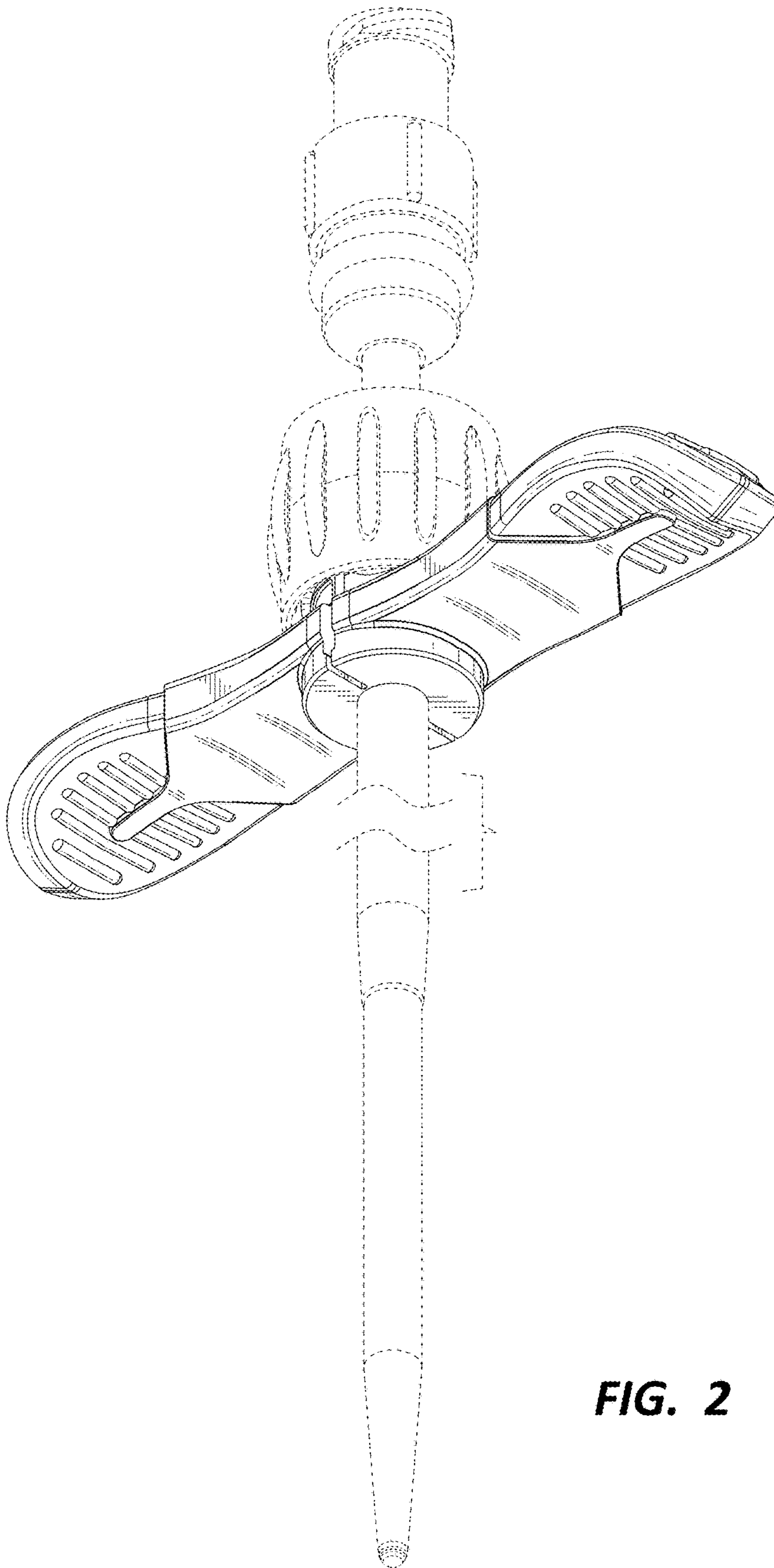


FIG. 2

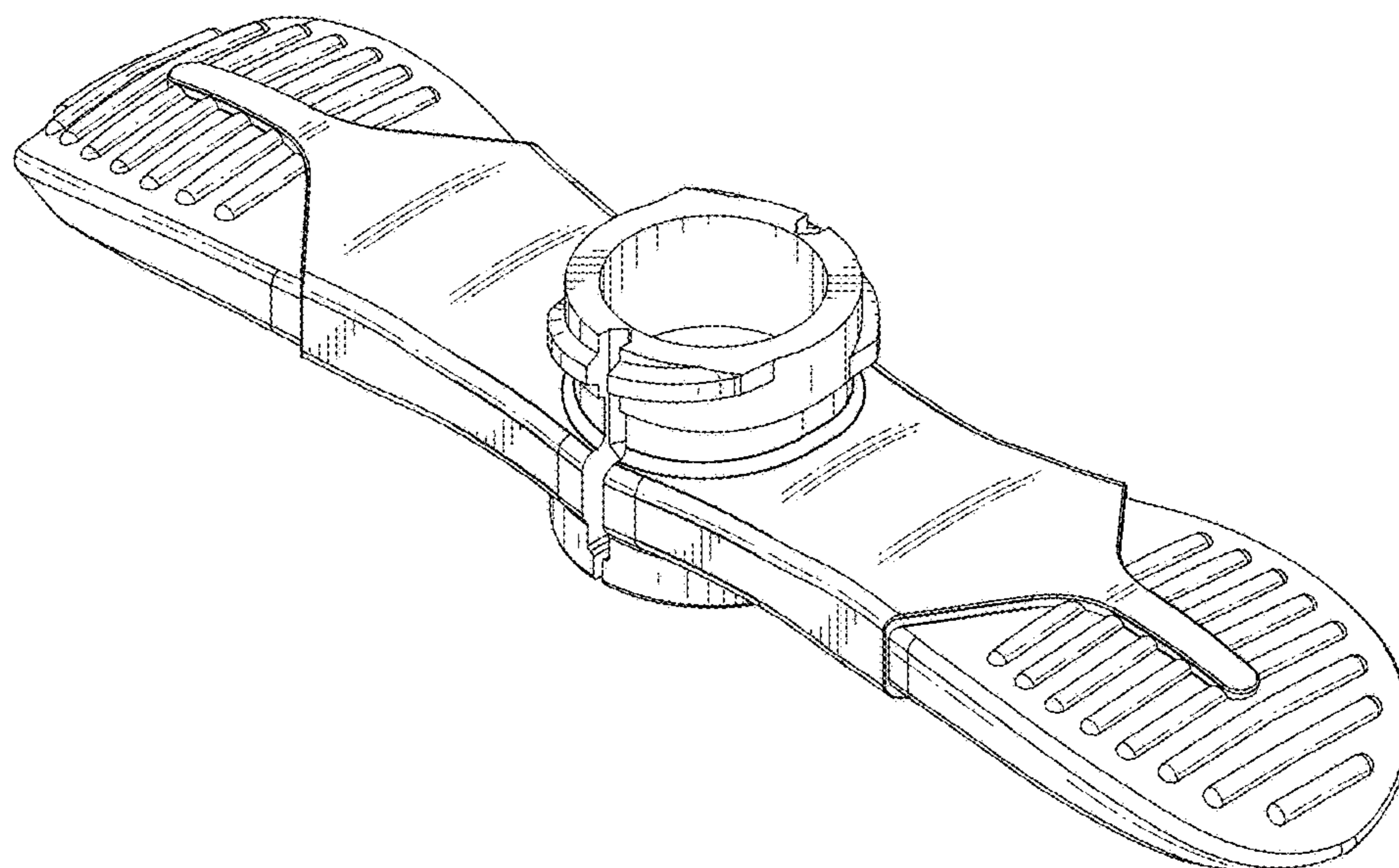


FIG. 3

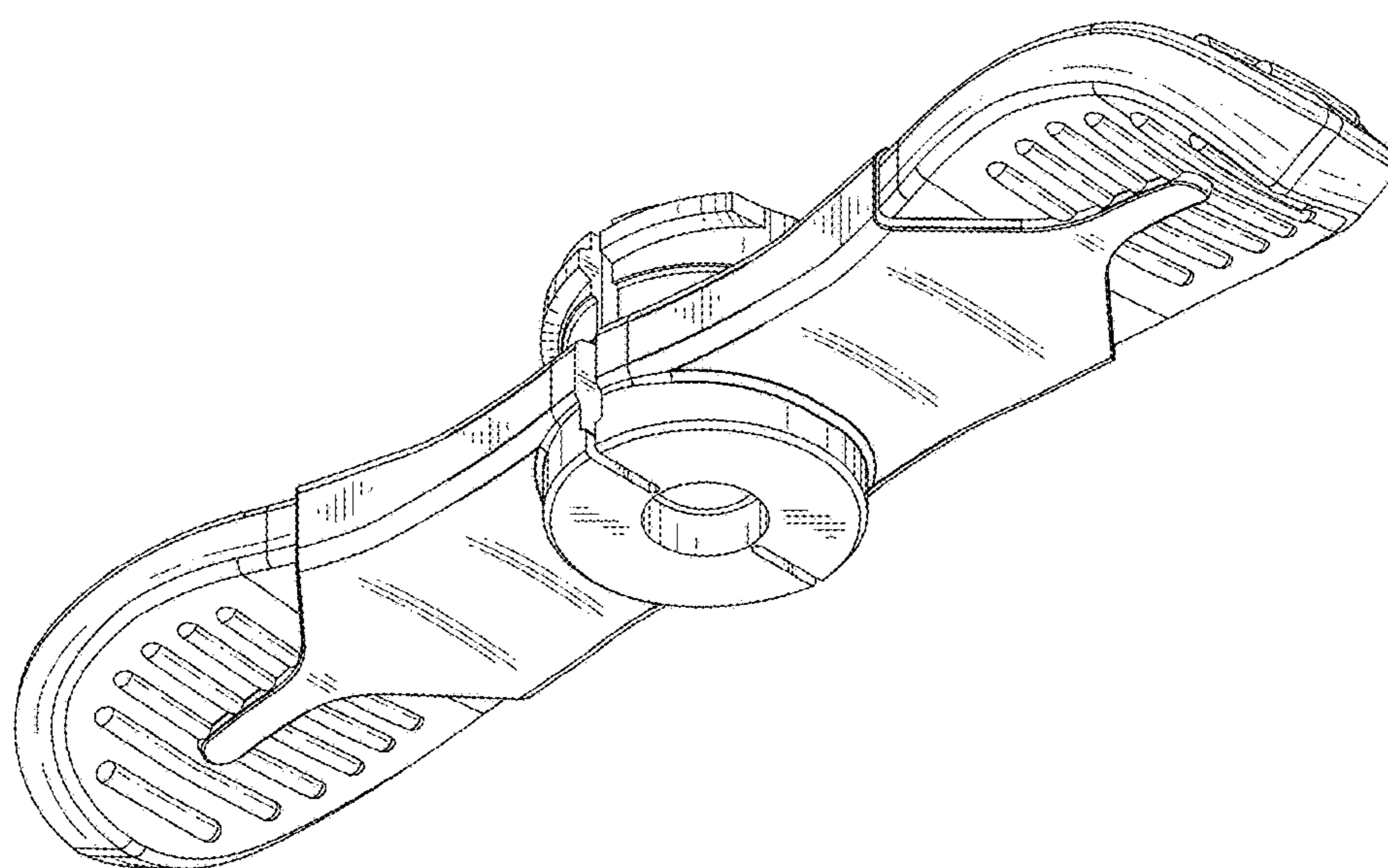


FIG. 4

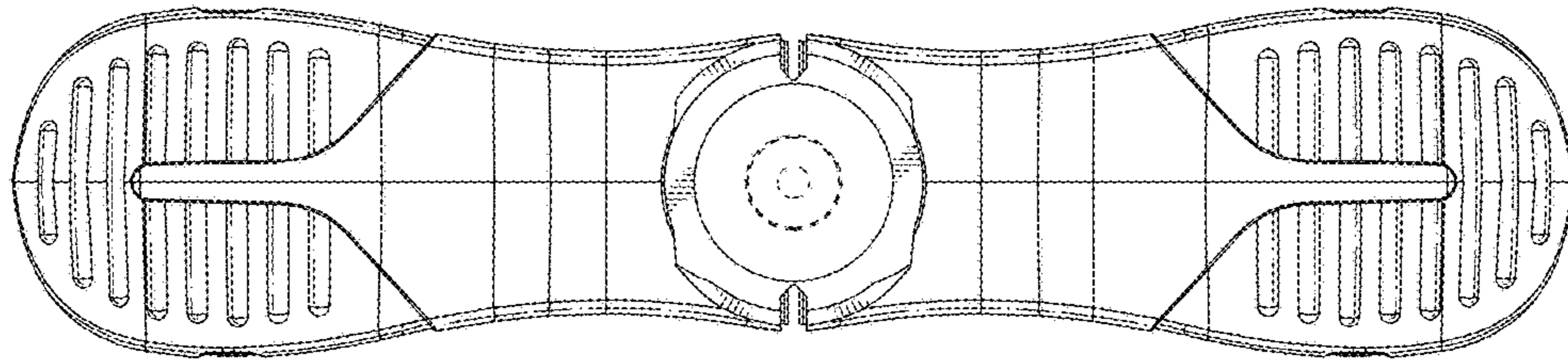


FIG. 5

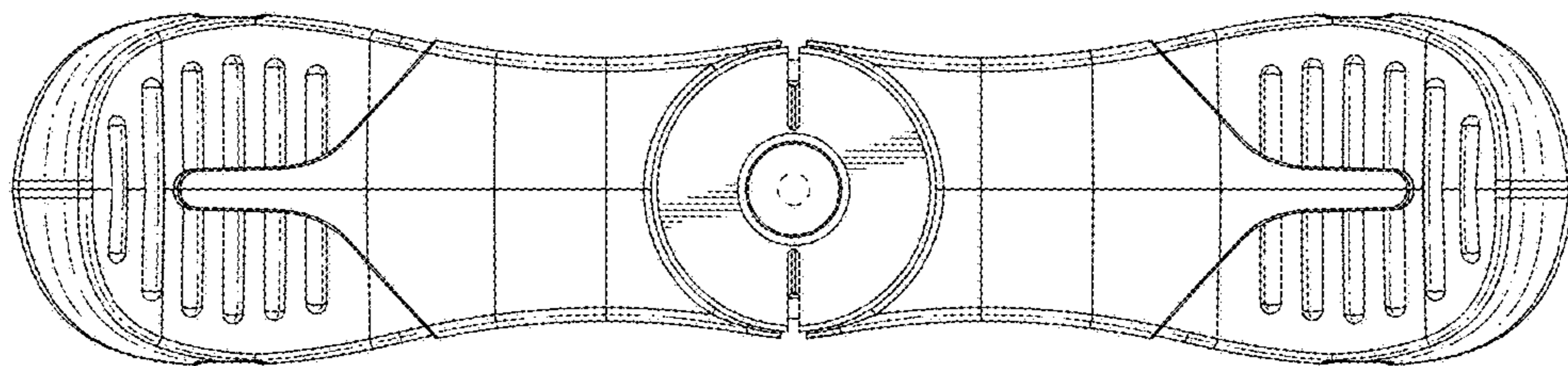


FIG. 6

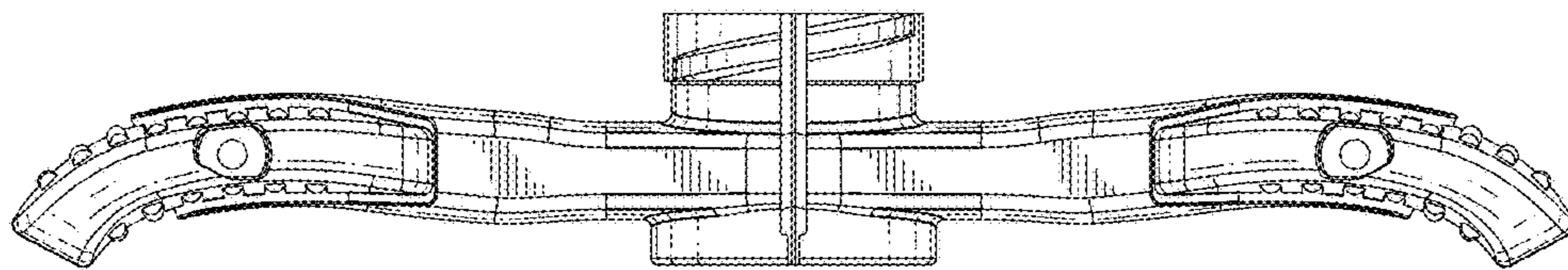


FIG. 7

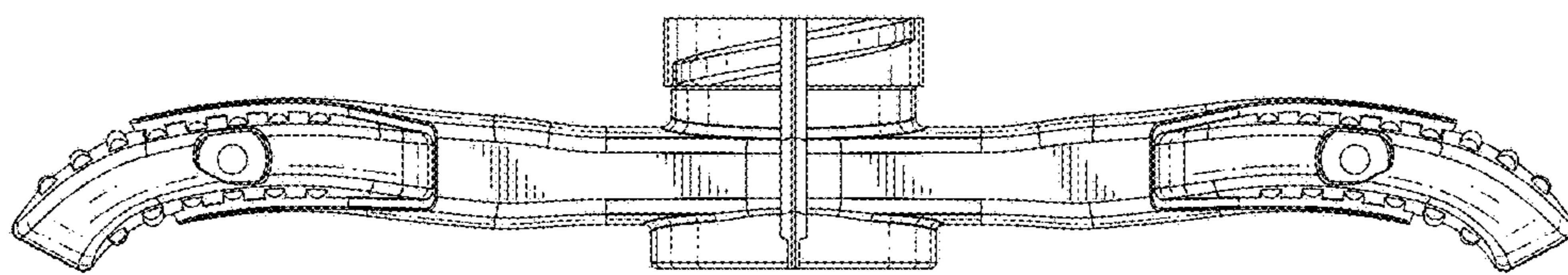


FIG. 8

