



US00D804661S

(12) **United States Design Patent** (10) **Patent No.:** **US D804,661 S**
Shoji et al. (45) **Date of Patent:** **** Dec. 5, 2017**

(54) **OUTLET PORT FOR INFUSION SOLUTION BAG**

FOREIGN PATENT DOCUMENTS

(71) Applicant: **OTSUKA PHARMACEUTICAL FACTORY, INC.**, Tokushima (JP)
(72) Inventors: **Hidenari Shoji**, Tokushima (JP); **Masamichi Okubata**, Tokushima (JP); **Yasuyuki Kajihara**, Tokushima (JP)
(73) Assignee: **OTSUKA PHARMACEUTICAL FACTORY, INC.**, Tokushima (JP)

JP	1103984	3/2001
JP	1104202	3/2001
JP	1320732	1/2011
JP	1320733	1/2011
JP	1321676	1/2011
JP	1507152	9/2014
KR	30-0531604	6/2009
KR	30-0531604-1	9/2010
KR	30-0531604-2	10/2011
TW	D113384	10/2006
TW	D113385	10/2006
TW	D121042	1/2008
TW	D126162	11/2008

(**) Term: **15 Years**

* cited by examiner

(21) Appl. No.: **29/537,948**

Primary Examiner — Richelle G Shelton

(22) Filed: **Aug. 31, 2015**

(74) *Attorney, Agent, or Firm* — Leber IP Law; Dennis R. Haszko

(30) **Foreign Application Priority Data**

Mar. 6, 2015 (JP) 2015-004896

(51) **LOC (10) Cl.** **24-02**

(52) **U.S. Cl.**
USPC **D24/129**

(58) **Field of Classification Search**
USPC D14/108, 112, 127, 129
CPC A61J 1/1475; A61J 1/1481; A61J 1/1487;
B65D 75/5883

See application file for complete search history.

(56) **References Cited**

U.S. PATENT DOCUMENTS

D634,006 S *	3/2011	Blanco	D24/129
D639,421 S *	6/2011	Sano	D24/118
D753,288 S *	4/2016	Vallotton	D24/112
2010/0094242 A1 *	4/2010	Inoue	A61J 1/1475 604/408
2012/0313366 A1 *	12/2012	Rahimy	A61J 1/20 285/3

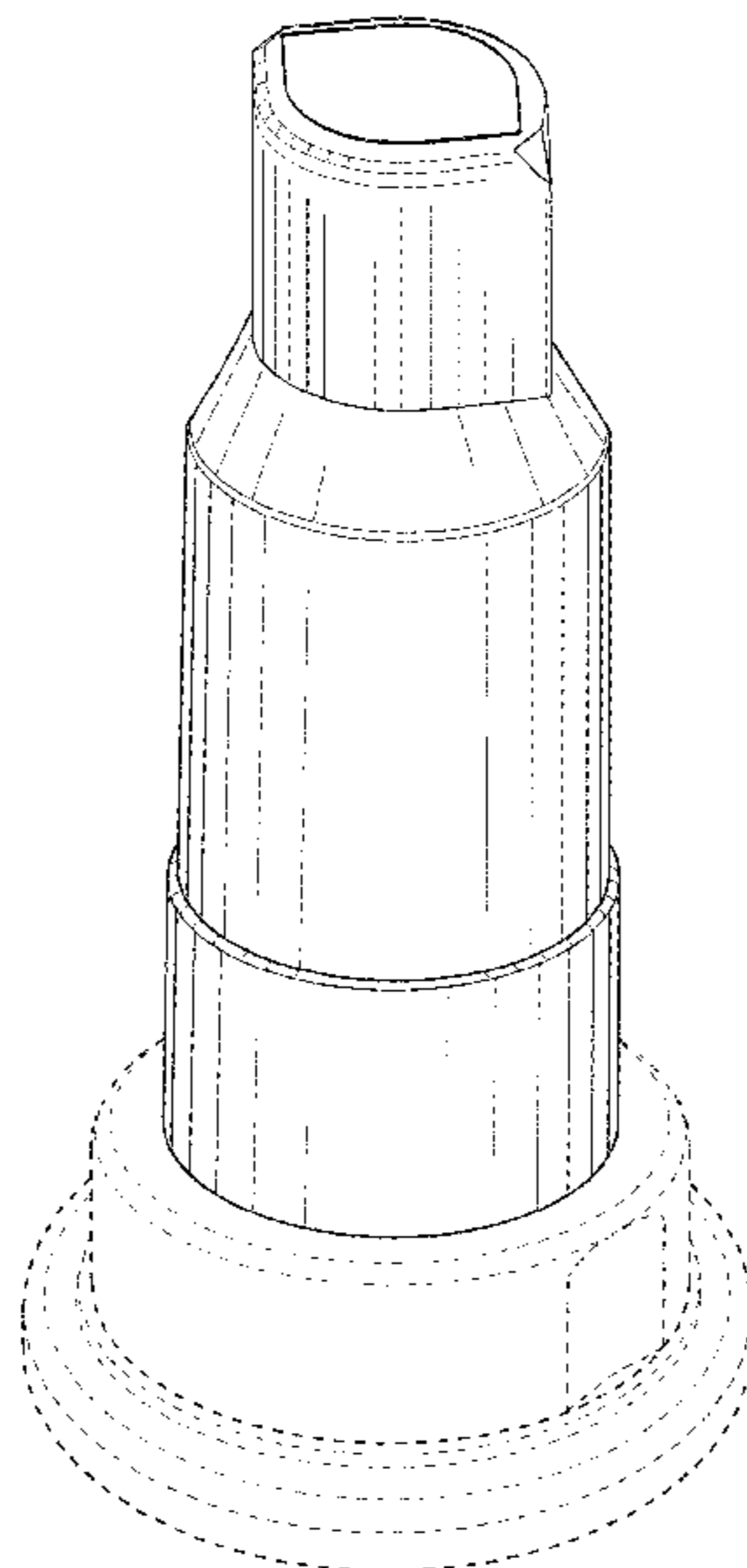
(57) **CLAIM**

The ornamental design for an outlet port for infusion solution bag, as shown and described.

DESCRIPTION

FIG. 1 is a perspective view of the outlet port for infusion solution bag;
FIG. 2 is a front view thereof, the rear view being identical;
FIG. 3 is a top view thereof;
FIG. 4 is a bottom view thereof;
FIG. 5 is a right side view thereof, the left side view being identical;
FIG. 6 is a sectional view taken along line 6-6 of FIG. 5; and,
FIG. 7 is a front view thereof, shown in use.
The broken line showing of portions of the article and of environmental elements forms no part of the claimed design.

1 Claim, 6 Drawing Sheets



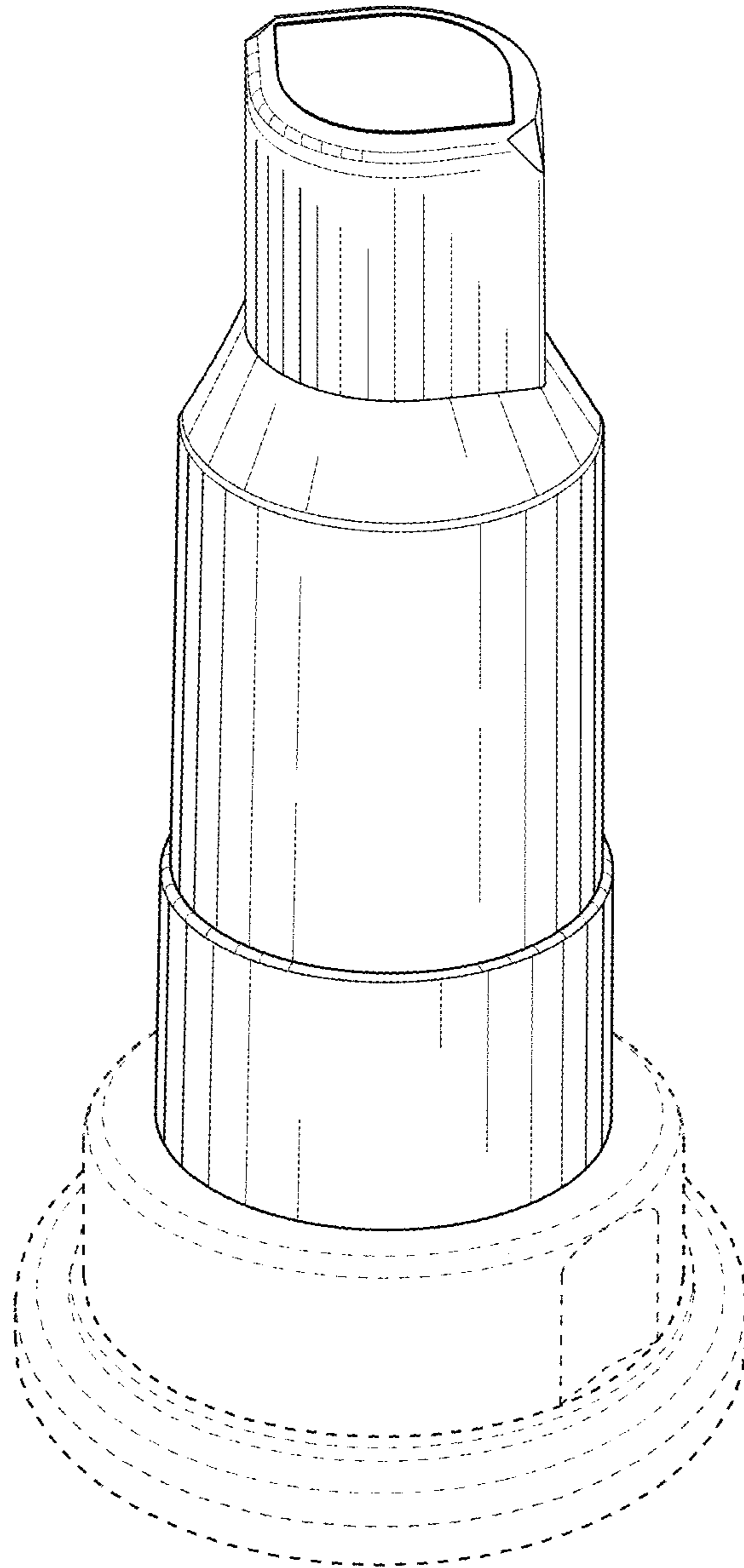


FIG.1

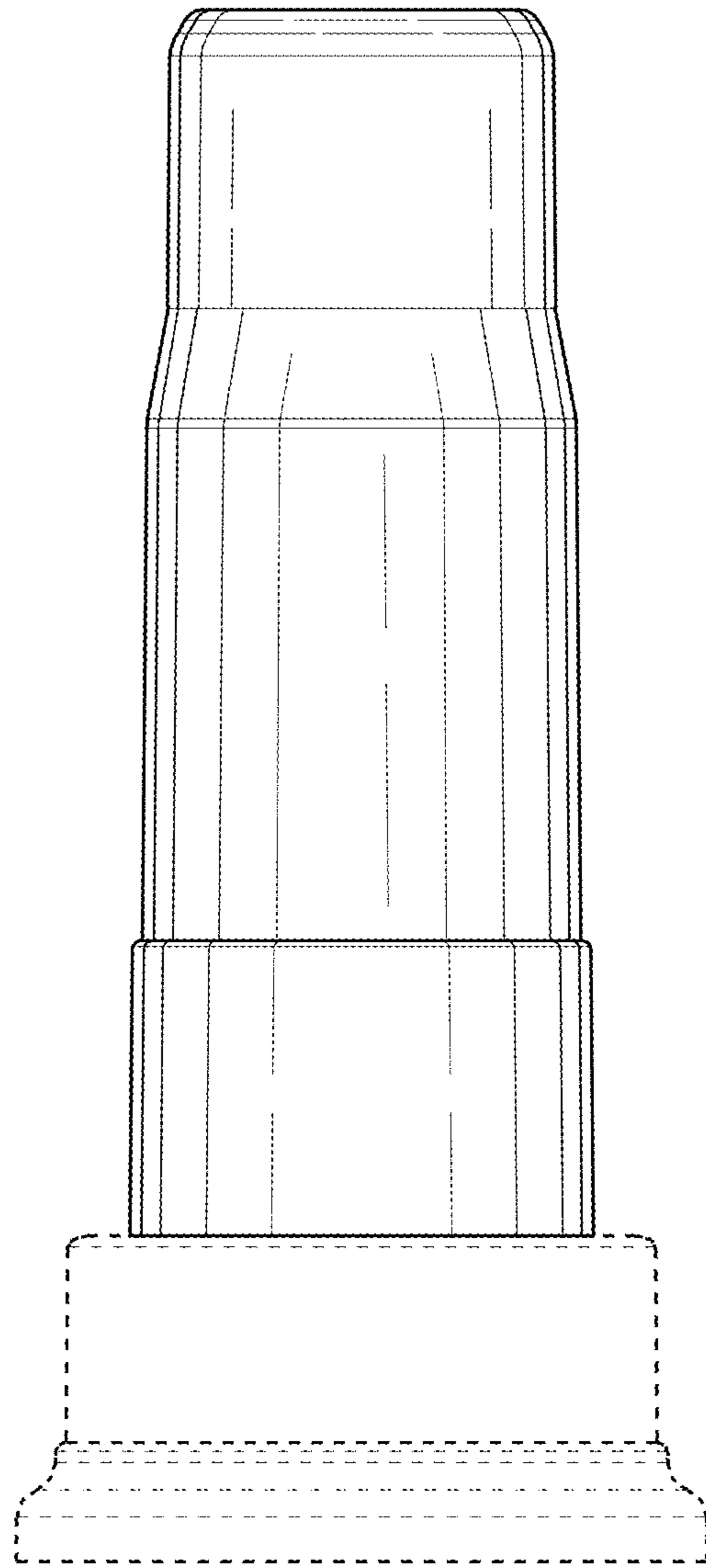


FIG.2

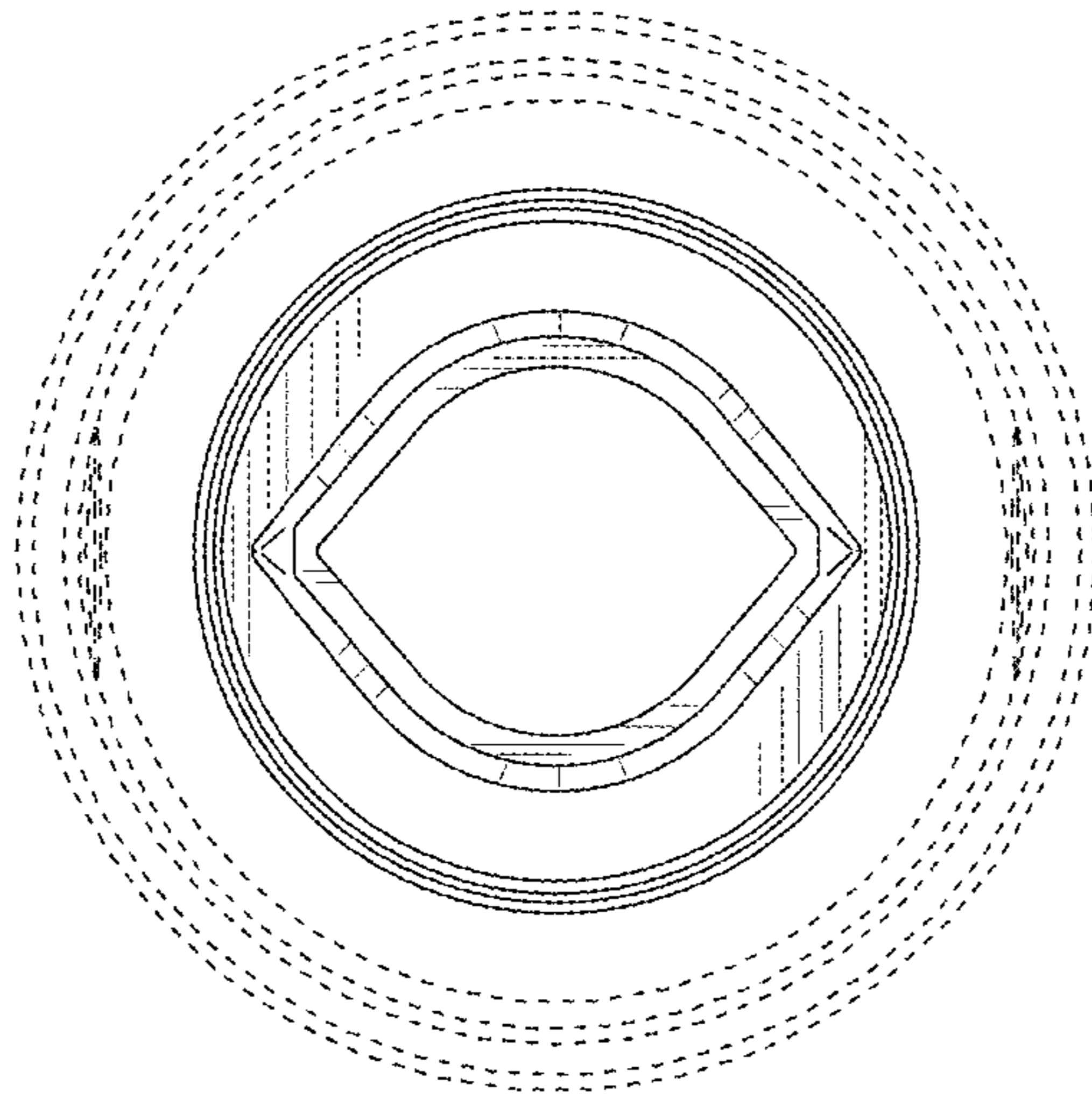


FIG.3

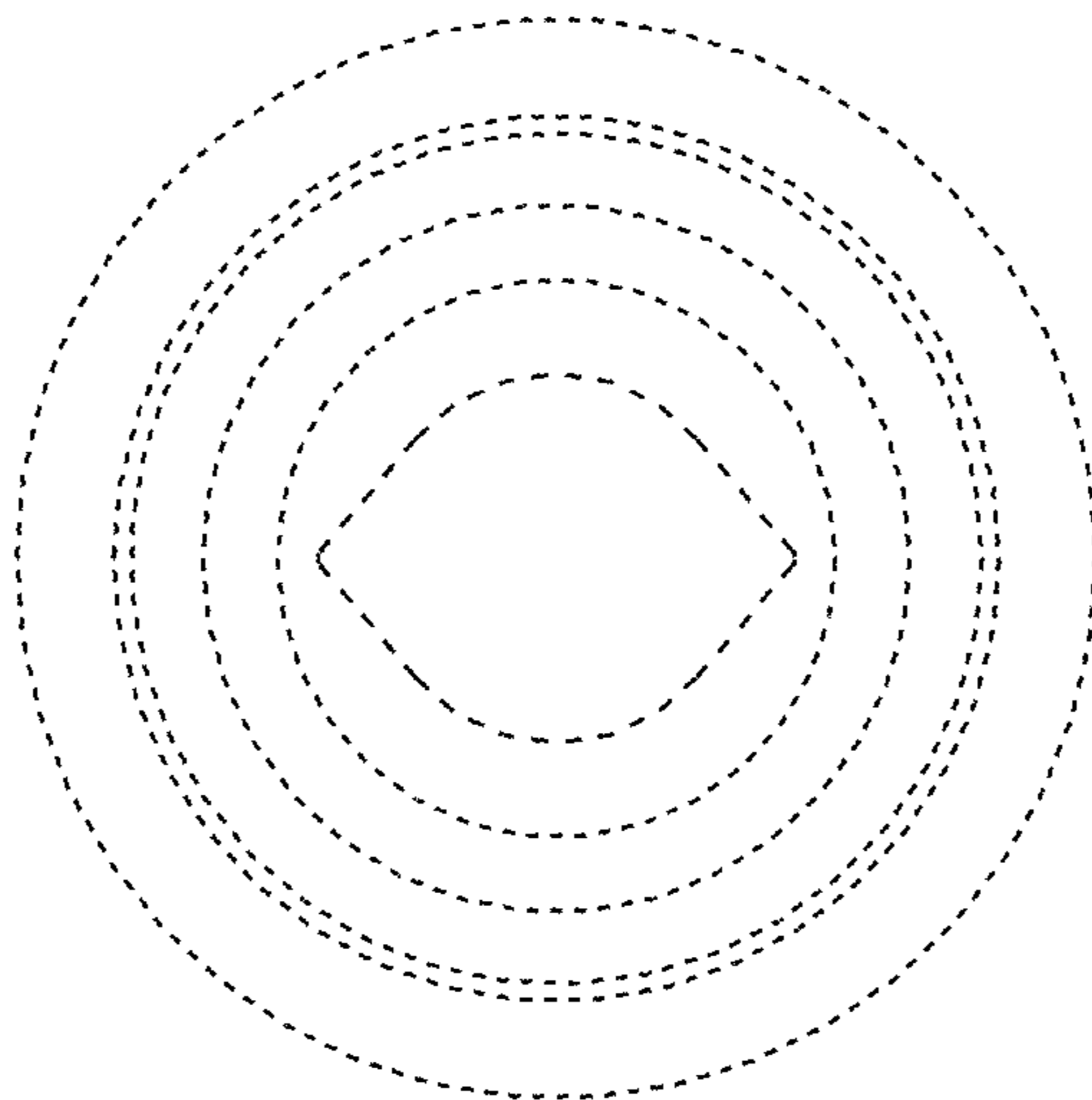


FIG.4

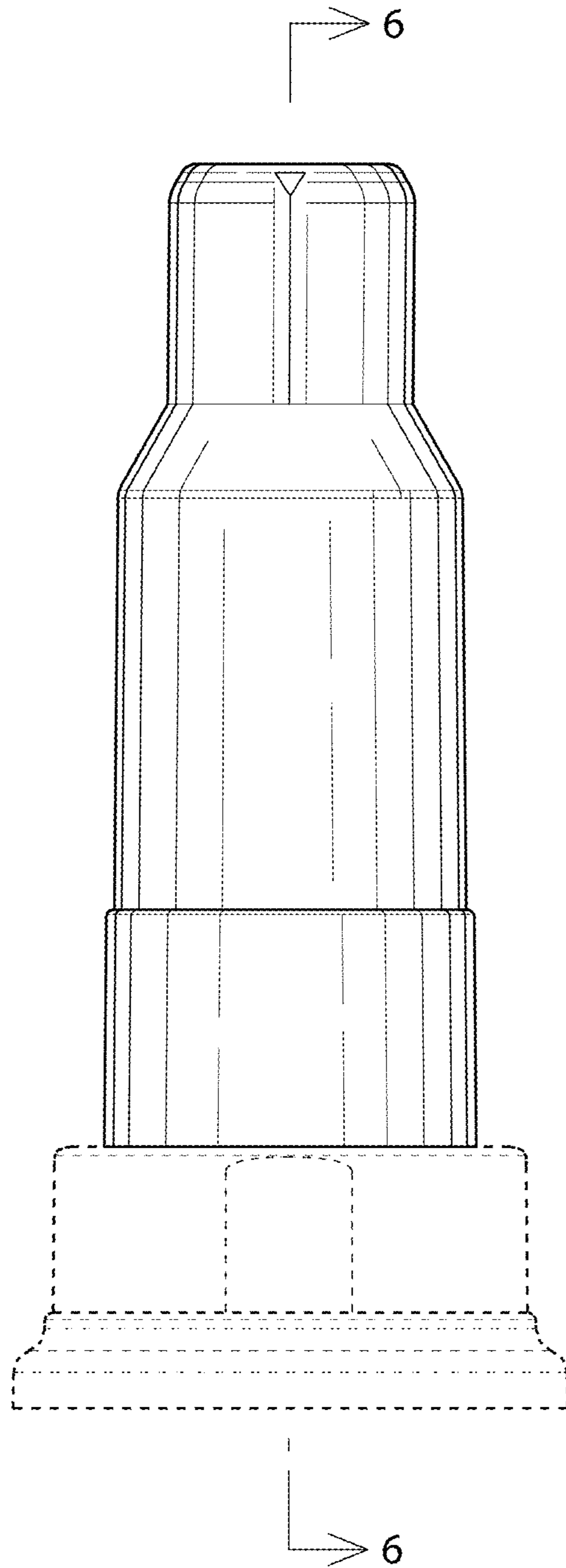


FIG.5

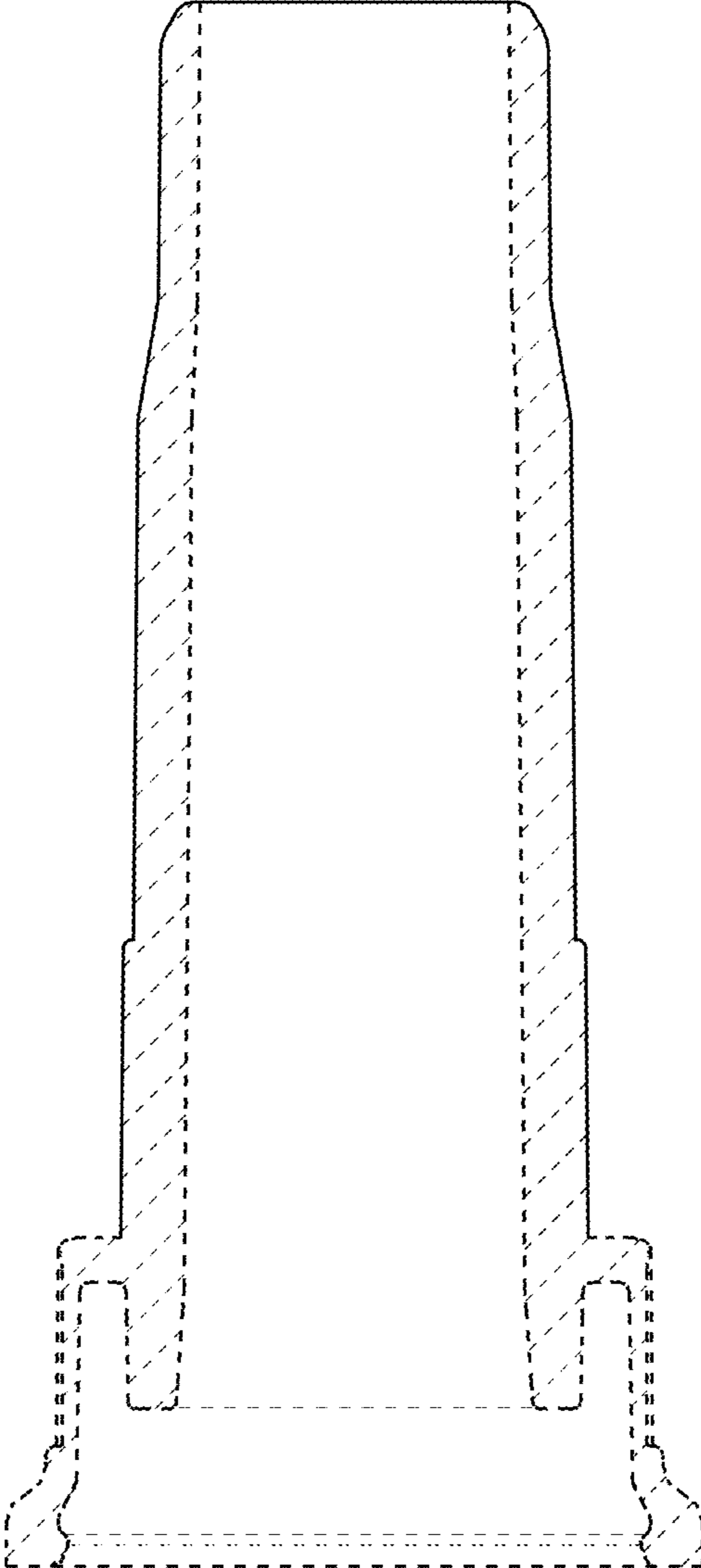


FIG.6

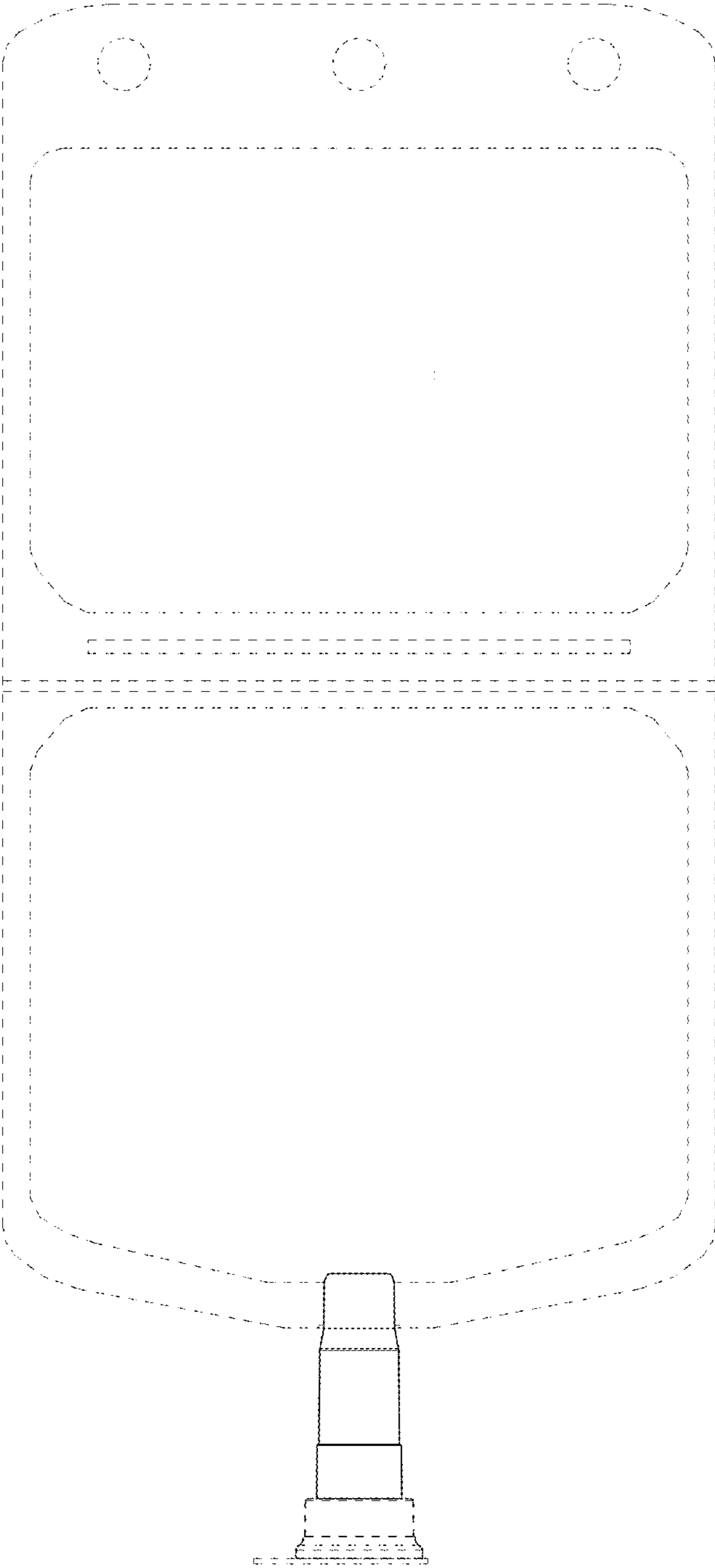


FIG.7