



US00D804659S

(12) **United States Design Patent** (10) **Patent No.:** **US D804,659 S**
Hood (45) **Date of Patent:** **** Dec. 5, 2017**

(54) **MEDICAL DEVICE FOR AN ENDOTRACHEAL TUBE** D617,447 S * 6/2010 Najarian D24/112
8,001,964 B2 * 8/2011 McDonald A61M 16/0488
128/200.26
(71) Applicant: **Phillip Hood**, Boar, AL (US) 8,096,300 B2 1/2012 Russo
8,251,069 B2 8/2012 Burdumy et al.
(72) Inventor: **Phillip Hood**, Boar, AL (US) 8,256,427 B2 9/2012 Chang et al.
8,302,597 B2 11/2012 Beely et al.
(**) Term: **15 Years** 2004/0243096 A1 * 12/2004 Acha
Gandarias A61M 25/0113
604/500

(21) Appl. No.: **29/582,350**

(Continued)

(22) Filed: **Oct. 27, 2016**

FOREIGN PATENT DOCUMENTS

Related U.S. Application Data

TW 293039 * 7/2006

(63) Continuation-in-part of application No. 14/141,909, filed on Dec. 27, 2013, now abandoned.

OTHER PUBLICATIONS

(51) **LOC (10) Cl.** **24-02**

Universal Bite Block. Product Listing [online]. B&B Medical Technologies, 2012 [retrieved on May 9, 2013]. Retrieved from the Internet: <http://bandb-medical.com/bite-proof-bite-block>.

(52) **U.S. Cl.**
USPC **D24/128**

(58) **Field of Classification Search**
USPC D24/108, 111, 112, 114, 127, 128, 129,
D24/130, 133, 141, 146, 147, 152, 186,
D24/214, 215; D8/93, 97, 300, 310, 311;
D23/223, 262
CPC A61M 16/0488; A61M 16/0497; A61M
16/0493; A61M 2005/1583; A61M
2005/1586; A61M 2005/3277; A61M
5/158; A61M 5/1582; A61M 5/3243;
A61M 25/0606; A61M 25/0612; A61M
25/0631; A61M 25/0637; A61B 1/00094
See application file for complete search history.

Primary Examiner — Sheryl Lane
Assistant Examiner — Calvin E Vansant
(74) *Attorney, Agent, or Firm* — Robert C. Montgomery;
Montgomery Patent Design, LP.

(57) **CLAIM**

The ornamental design for a medical device for an endotracheal tube, as shown and described.

(56) **References Cited**

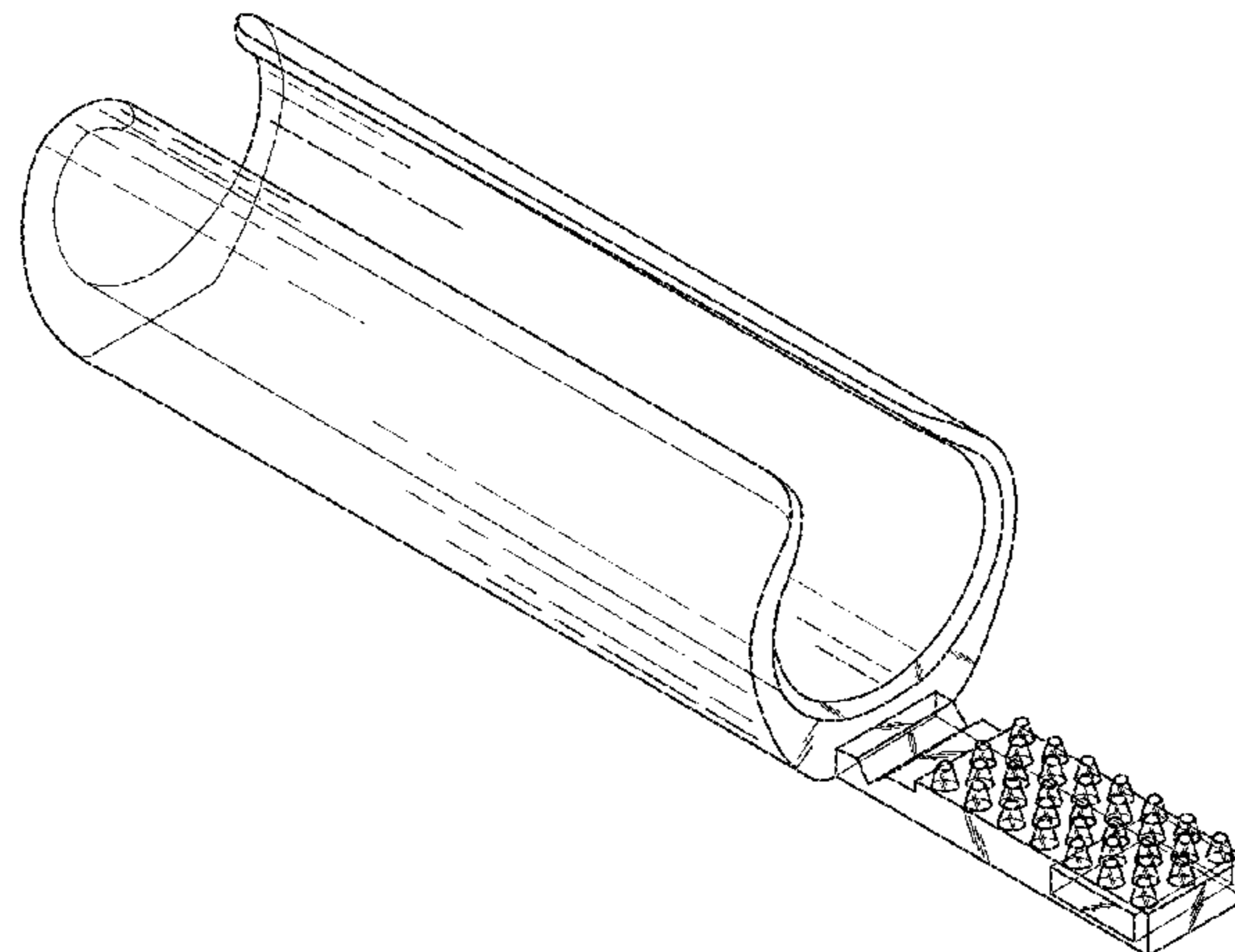
DESCRIPTION

U.S. PATENT DOCUMENTS

FIG. 1 is a top front side perspective view of a medical device for an endotracheal tube, showing my new design; FIG. 2 is a front side elevation view thereof; FIG. 3 is a rear side elevation view thereof; FIG. 4 is a right-side elevation view thereof; FIG. 5 is a left-side elevation view thereof; FIG. 6 is a top side plan view thereof; and, FIG. 7 is a bottom side plan view thereof.

4,167,946 A * 9/1979 Sandstrom A61M 25/02
128/207.17
D289,331 S * 4/1987 Briggs D24/164
5,513,633 A 5/1996 Islava
5,649,534 A * 7/1997 Briggs, III A61M 16/0488
128/200.26
5,655,519 A * 8/1997 Alfery A61M 16/0488
128/200.24
D486,908 S * 2/2004 Himbert D24/113

1 Claim, 7 Drawing Sheets



(56)

References Cited

U.S. PATENT DOCUMENTS

2010/0180900 A1 7/2010 Talsma et al.
2014/0238406 A1* 8/2014 Borre A61M 16/0493
128/207.17
2014/0261462 A1* 9/2014 Visconti A61M 16/0497
128/861

* cited by examiner

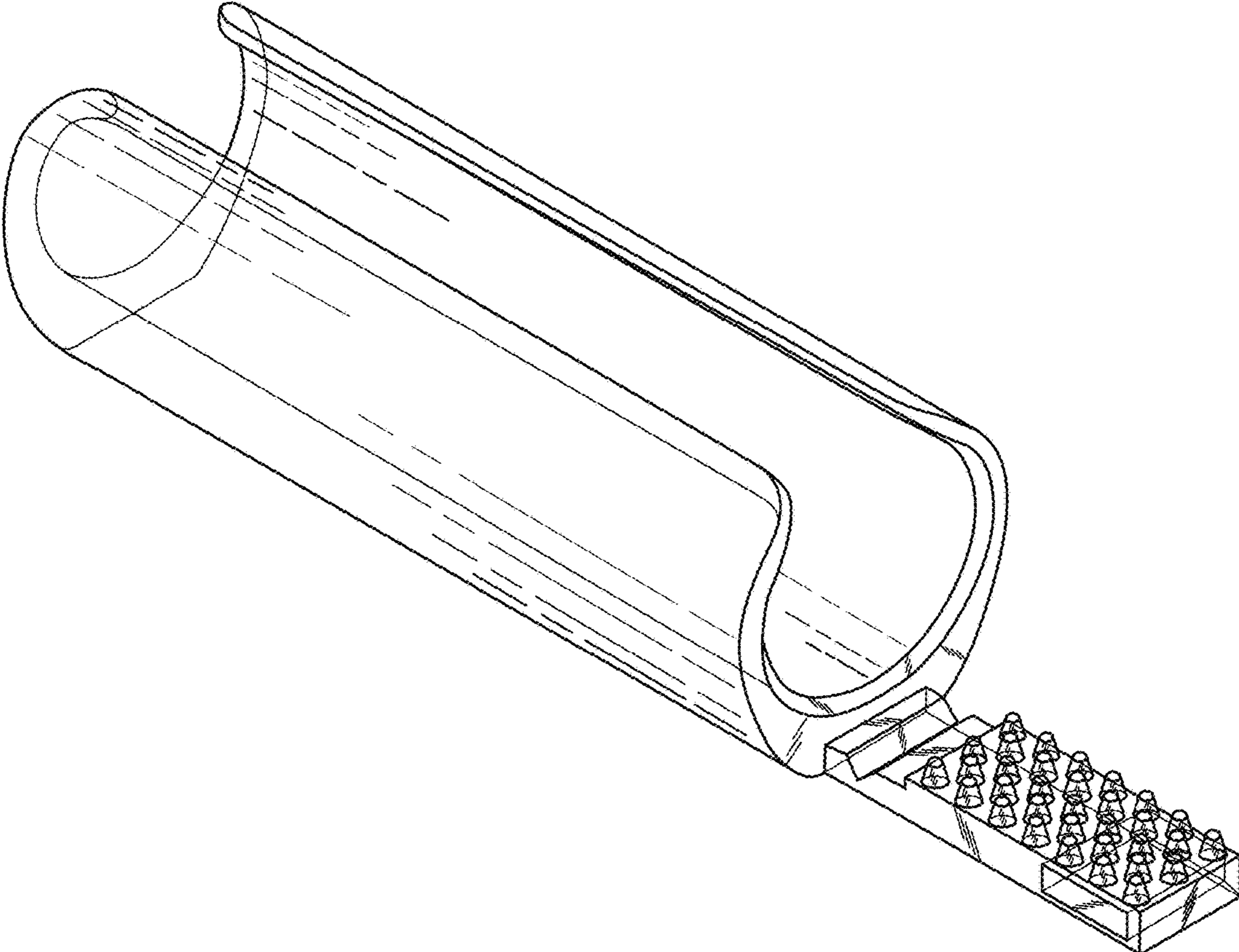


FIG. 1

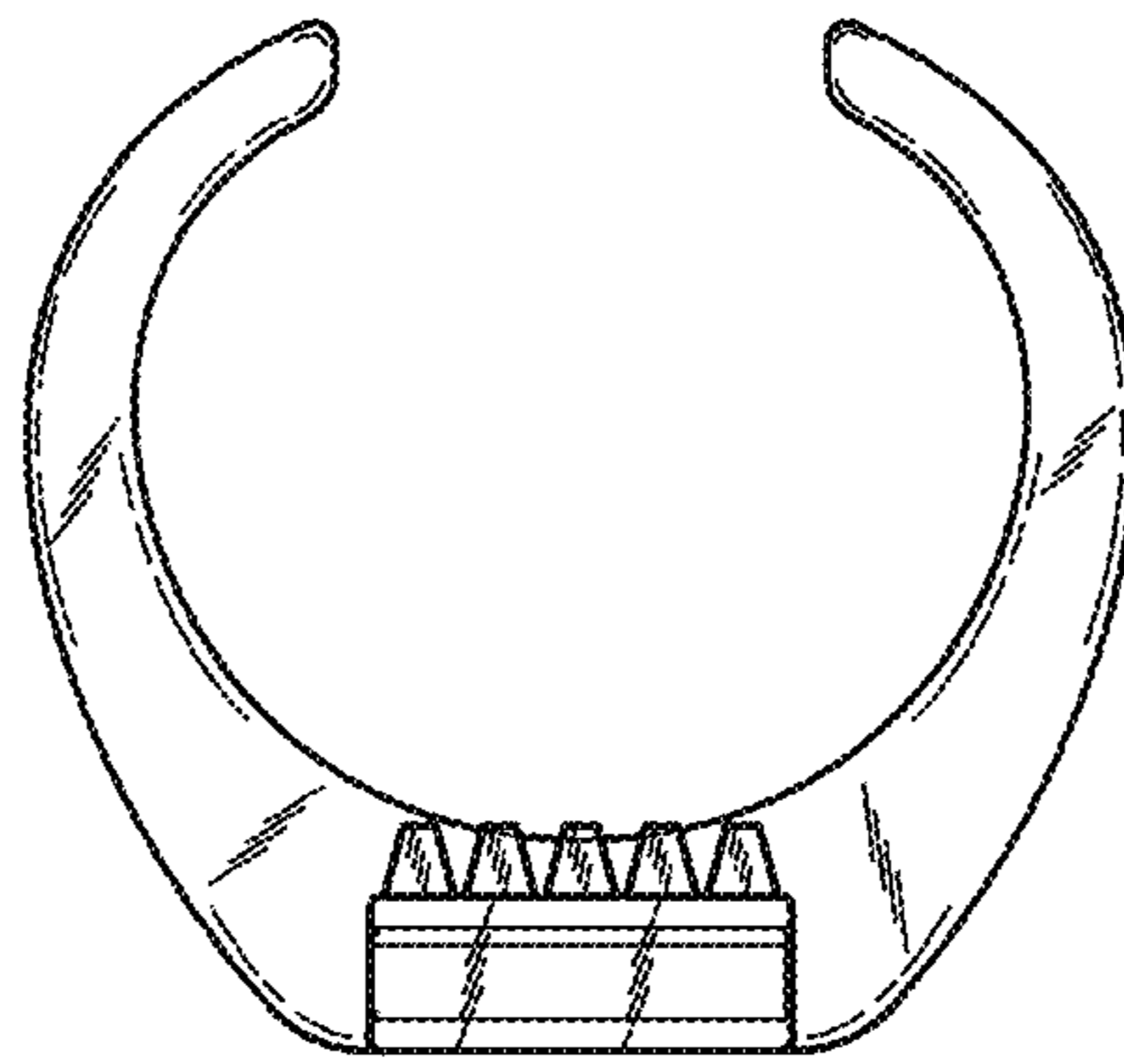


FIG. 2

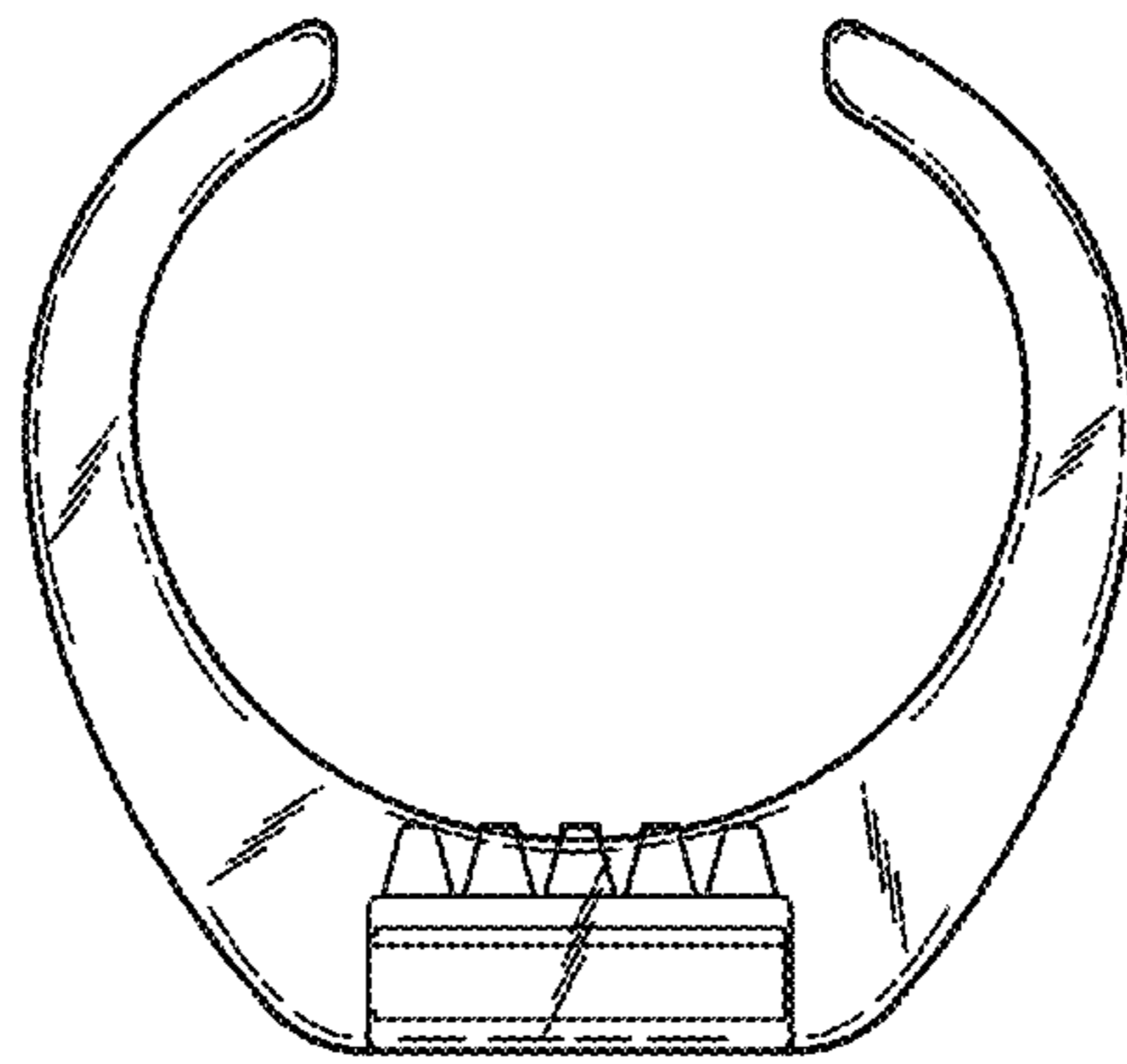


FIG. 3

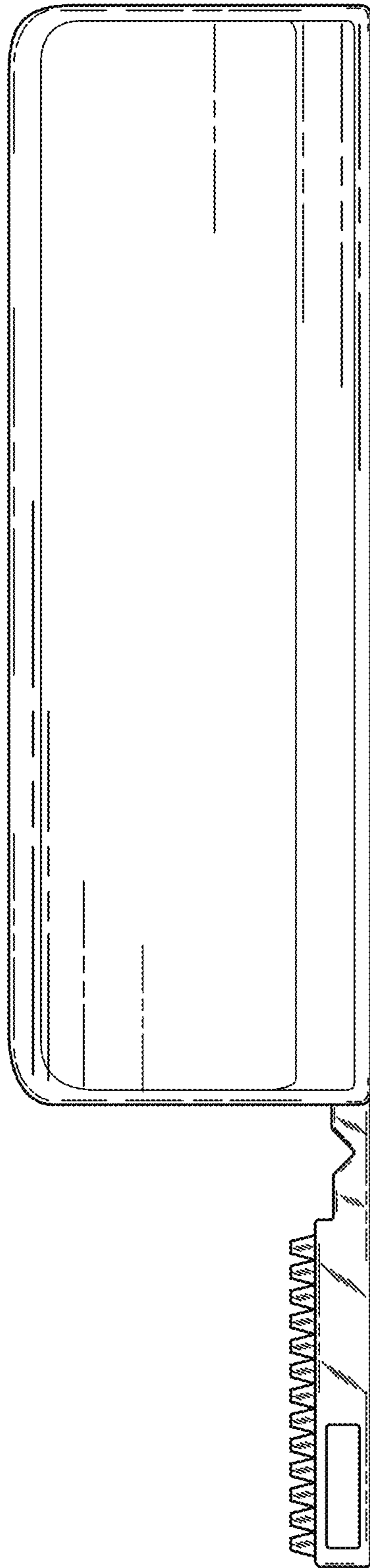


FIG. 4

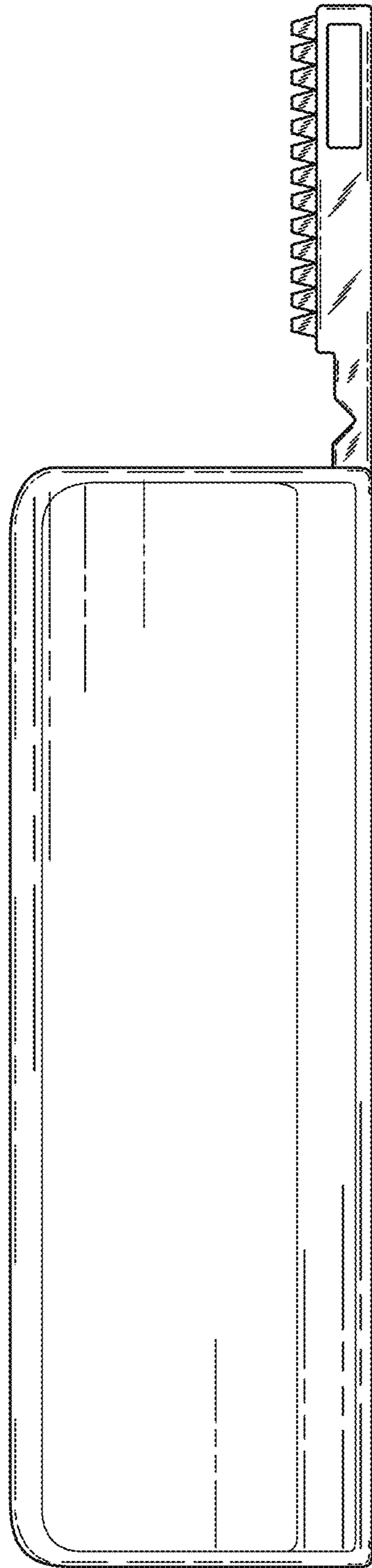


FIG. 5

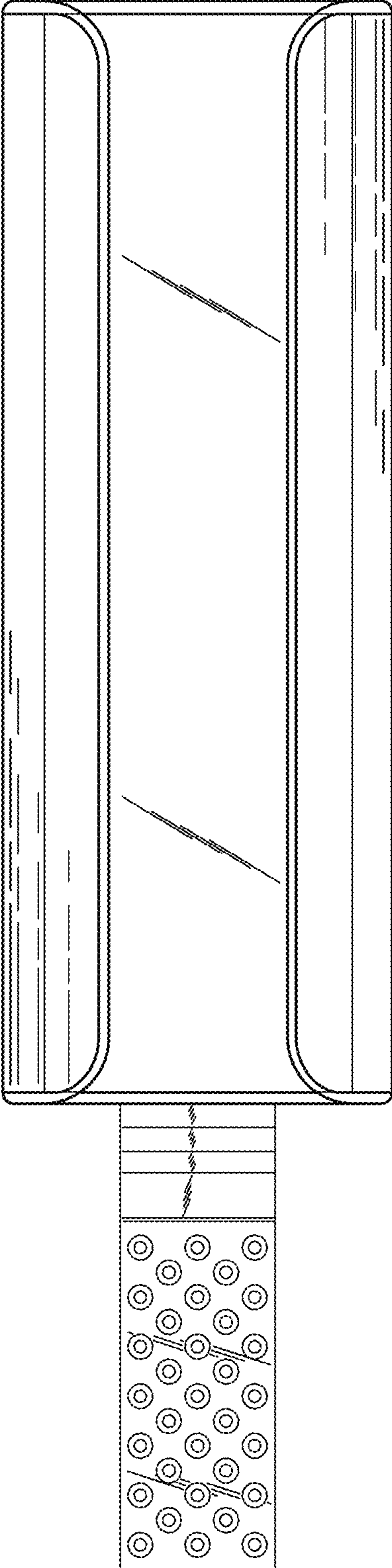


FIG. 6

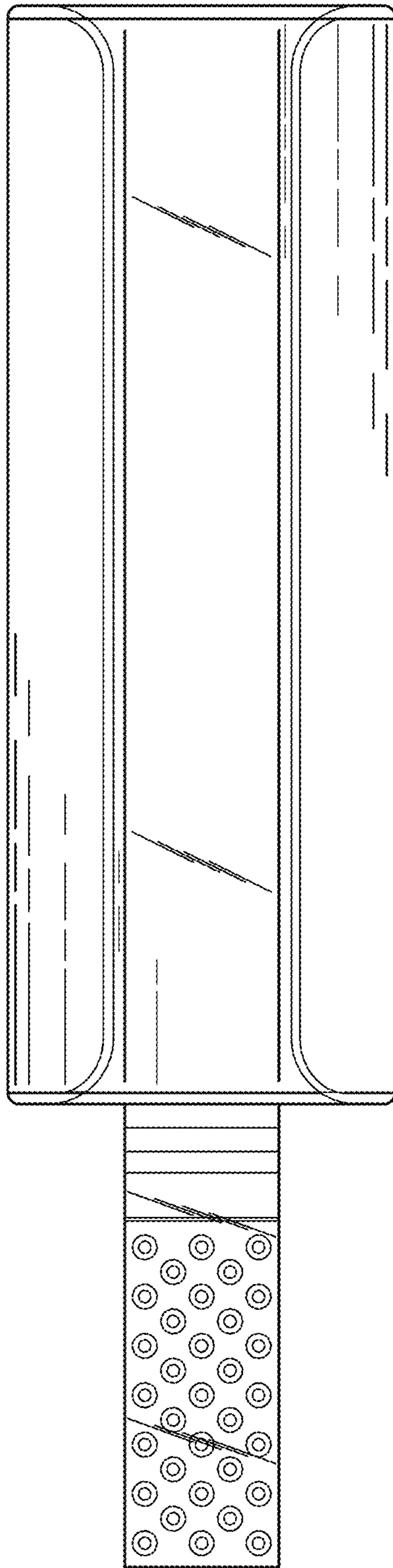


FIG. 7