



US00D804654S

(12) **United States Design Patent** (10) **Patent No.:** **US D804,654 S**  
**Stephen** (45) **Date of Patent:** **\*\* Dec. 5, 2017**

(54) **FEMALE URINE COLLECTOR**  
(71) Applicant: **Gloria Stephen**, Murfreesboro, NC (US)  
(72) Inventor: **Gloria Stephen**, Murfreesboro, NC (US)

8,221,369 B2 7/2012 Parks et al.  
D680,644 S \* 4/2013 Newman ..... D24/122  
D688,370 S \* 8/2013 Desai ..... D24/122  
8,650,669 B1 2/2014 Kolter  
D763,440 S \* 8/2016 Garzon ..... D24/122  
D767,757 S \* 9/2016 Hole ..... D24/121  
D770,613 S \* 11/2016 Roberts ..... D24/122  
2009/0056003 A1 3/2009 Ivie et al.  
2012/0210503 A1 8/2012 Anzivino, Sr. et al.

(\*\*) Term: **15 Years**

**FOREIGN PATENT DOCUMENTS**

(21) Appl. No.: **29/559,249**

WO WO2011054243 5/2011

(22) Filed: **Mar. 25, 2016**

\* cited by examiner

(51) **LOC (10) Cl.** ..... **24-04**

*Primary Examiner* — David Muller

(52) **U.S. Cl.**  
USPC ..... **D24/122**

(58) **Field of Classification Search**  
USPC ..... D24/121–123, 117, 224; 4/450–460,  
4/144.1–144.4, DIG. 5; 600/573, 574;  
604/329, 317, 318, 334  
CPC ..... A61G 9/00; A61G 9/006; A61G 9/003  
See application file for complete search history.

(57) **CLAIM**

The ornamental design for a female urine collector, as shown and described.

**DESCRIPTION**

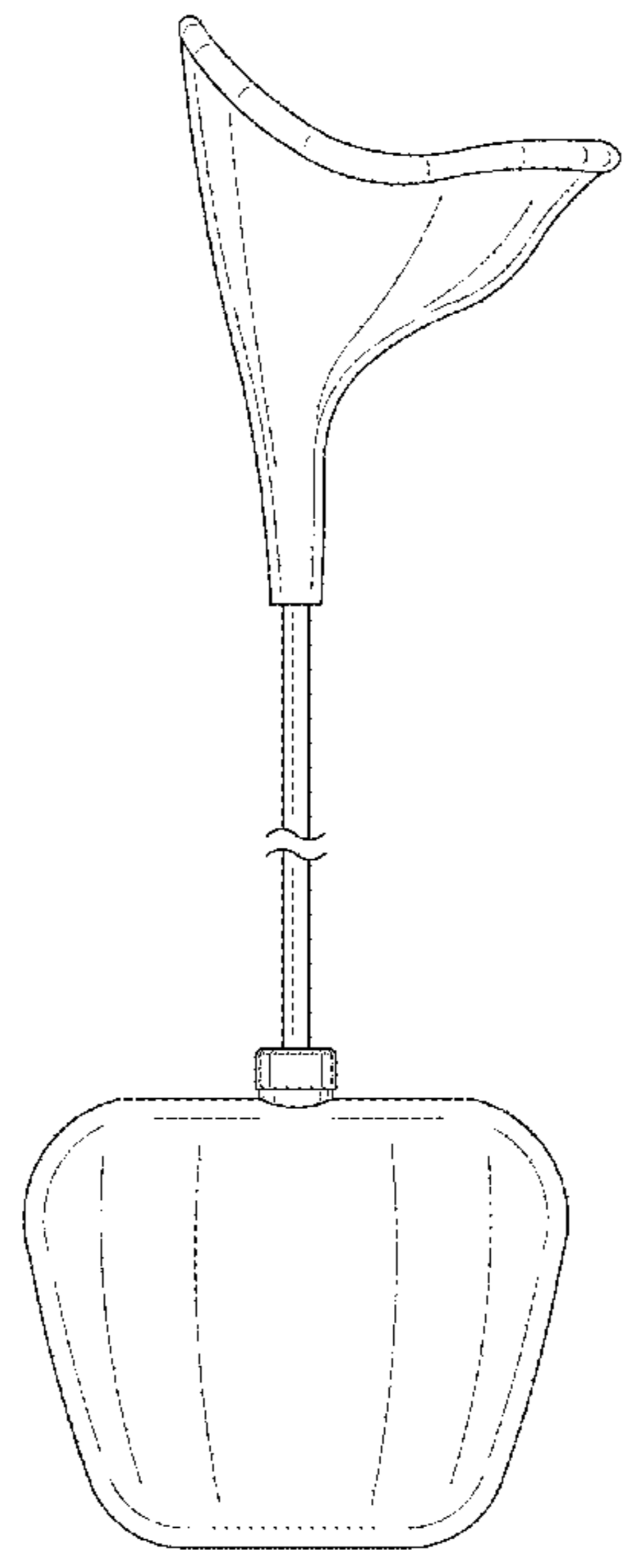
(56) **References Cited**

**U.S. PATENT DOCUMENTS**

D332,657 S \* 1/1993 Bamford ..... D24/107  
D357,979 S \* 5/1995 Evans ..... D24/122  
D371,601 S \* 7/1996 Markles ..... D24/122  
D379,225 S 5/1997 Canahuate et al.  
6,299,606 B1 \* 10/2001 Young ..... A61B 10/007  
604/317  
7,181,781 B1 2/2007 Trabold et al.  
D560,801 S \* 1/2008 Otto ..... D24/122  
D575,866 S \* 8/2008 Schmidt ..... D24/118  
D577,435 S \* 9/2008 Ivie ..... D24/122  
D619,246 S \* 7/2010 Hazeres ..... D24/122  
8,146,179 B1 4/2012 Duque

FIG. 1 is a front view of a female urine collector showing my new design, a rear view being a mirror image thereof; FIG. 2 is a left side view of the female urine collector; FIG. 3 is a right side view of the female urine collector; FIG. 4 is a top view of the female urine collector; and, FIG. 5 is a bottom view of the female urine collector. The tube connection the urinal to the collector is shown with a symbolic break in its length. The appearance of any portion of the article between the break lines forms no part of the claimed design. The broken lines in FIGS. 3 and 4 are for illustrative purposes only and form no part of the claimed design.

**1 Claim, 3 Drawing Sheets**



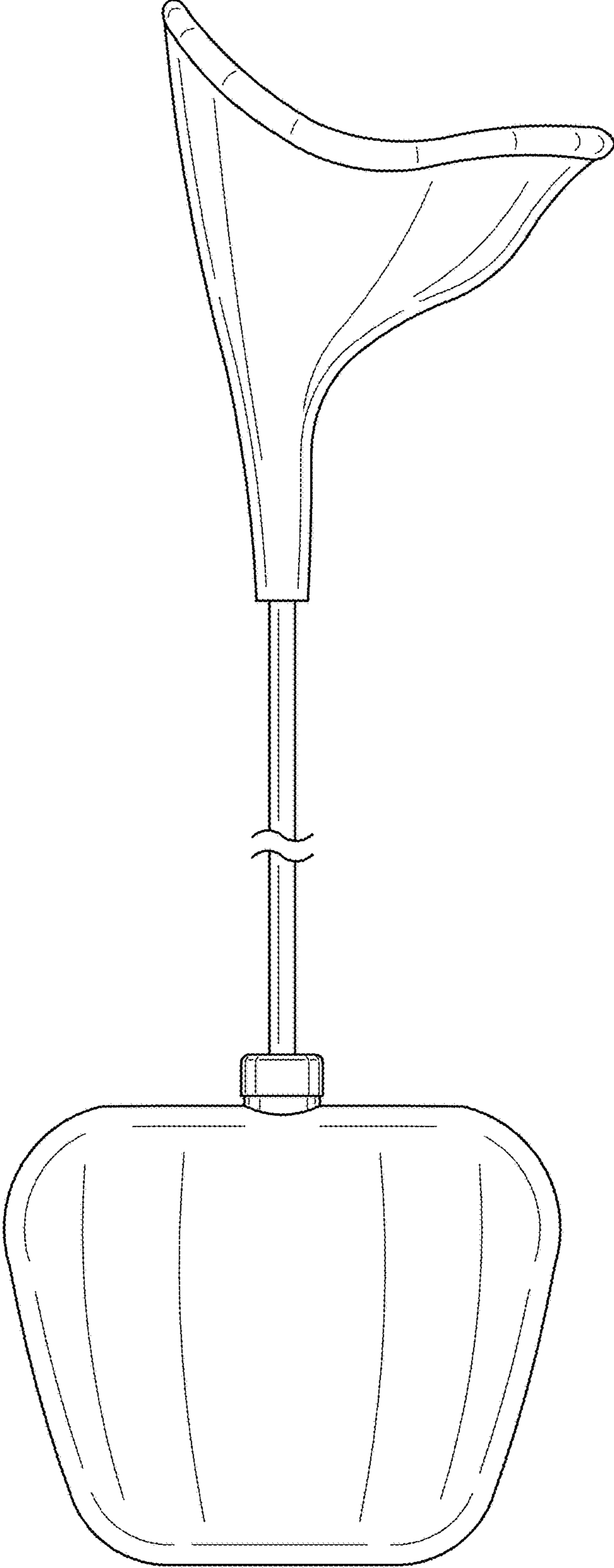


FIG. 1

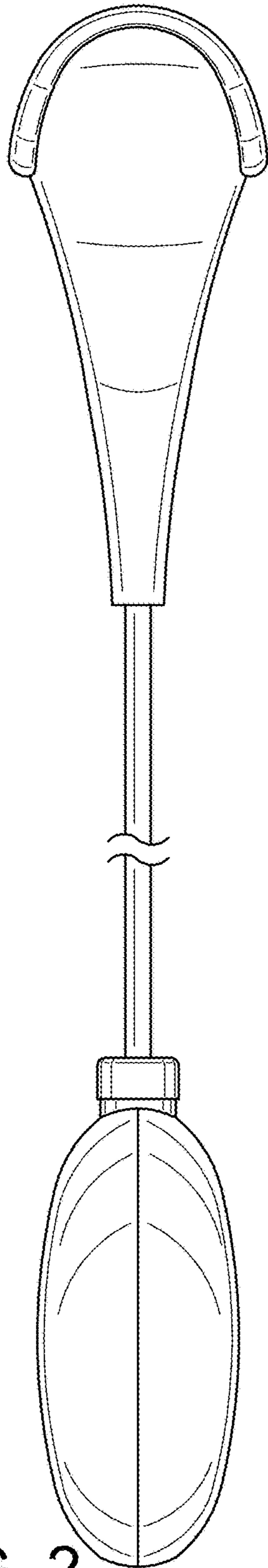


FIG. 2

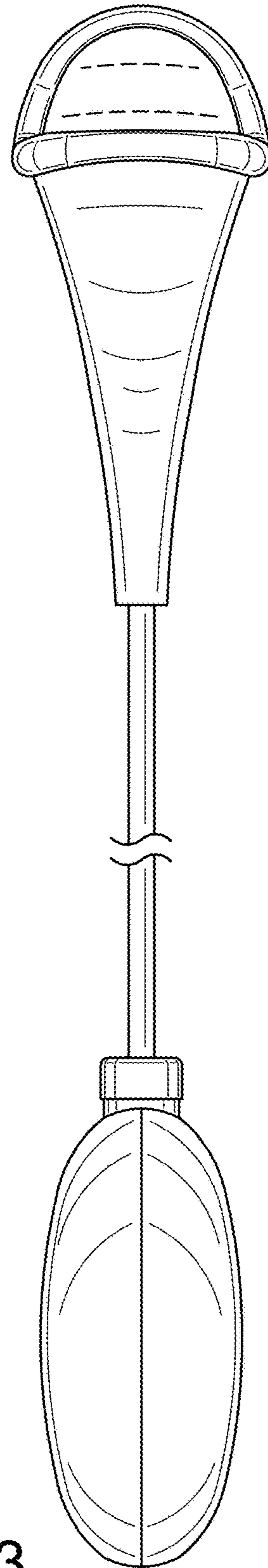


FIG. 3

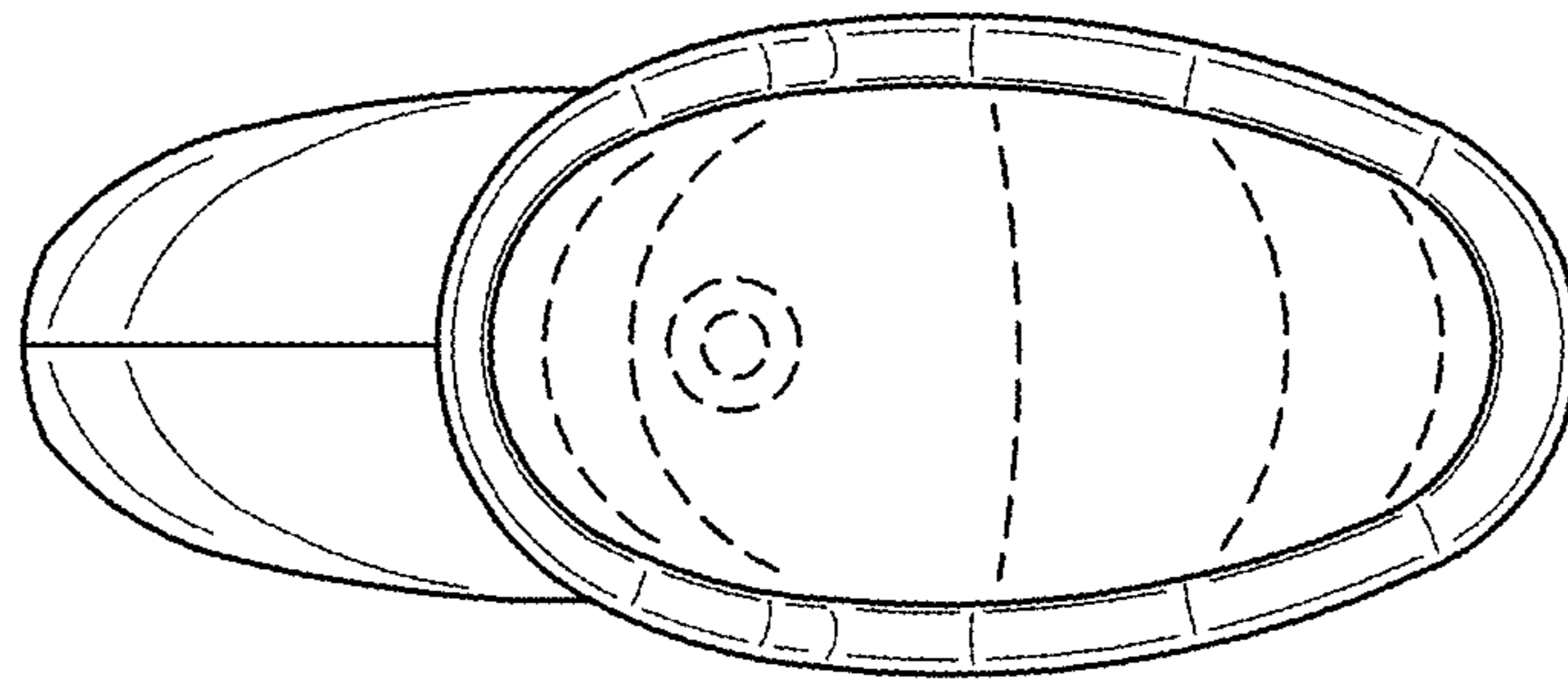


FIG. 4

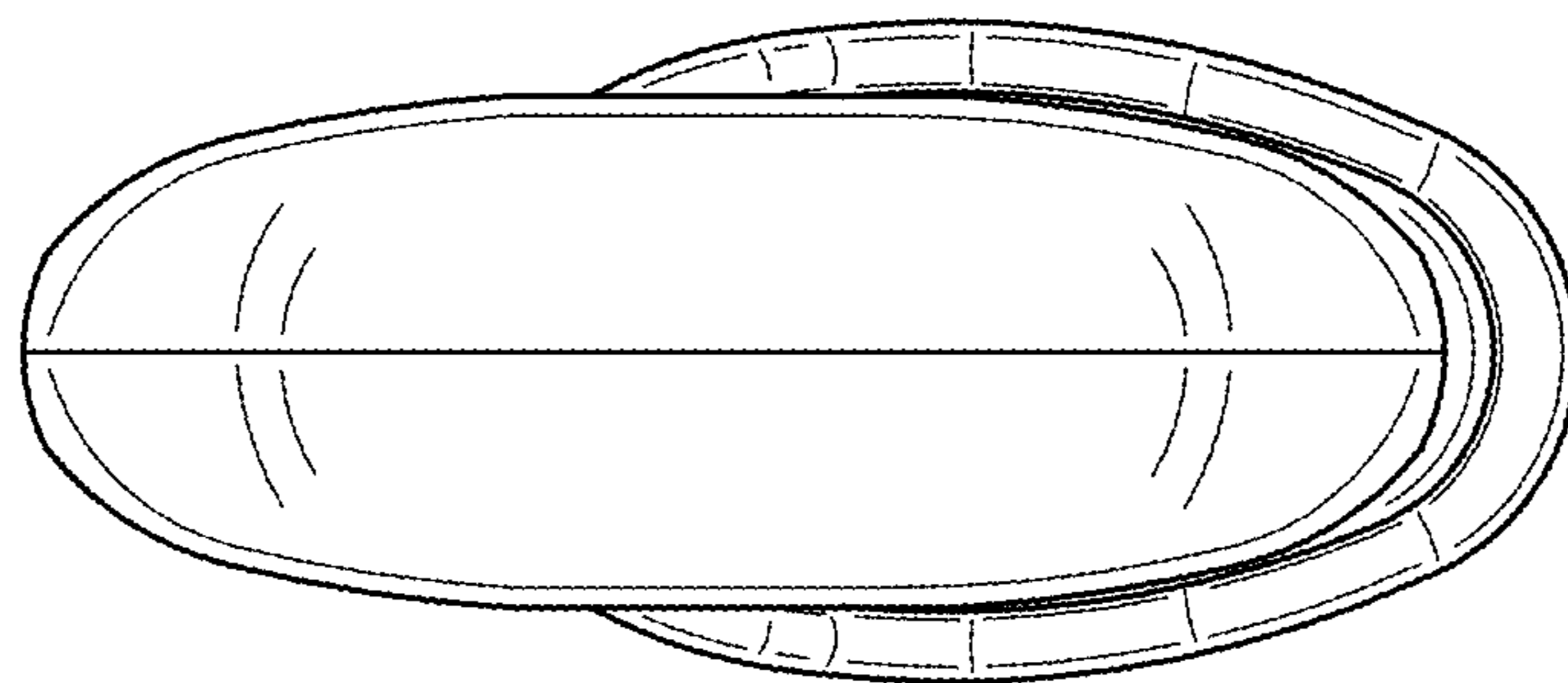


FIG. 5