



US00D804653S

(12) **United States Design Patent** (10) **Patent No.:** **US D804,653 S**
Clark et al. (45) **Date of Patent:** **** Dec. 5, 2017**

(54) **PRESSURE VESSEL** 4,930,997 A 6/1990 Bennett
4,932,550 A 6/1990 Moucha
(71) Applicant: **EMD Millipore Corporation**, Billerica, MA (US) 5,087,250 A 2/1992 Lichte et al.
5,148,938 A 9/1992 Morgan
(Continued)

(72) Inventors: **Phillip Clark**, Billerica, MA (US);
Kurt Greenizen, Billerica, MA (US);
Paul Sydlowski, Billerica, MA (US);
Christopher A. Scott, Billerica, MA (US)

FOREIGN PATENT DOCUMENTS

CN 201236947 Y 5/2009
CN 203098988 U 7/2013
(Continued)

(73) Assignee: **EMD Millipore Corporation**, Billerica, MA (US)

OTHER PUBLICATIONS

(**) Term: **15 Years**

IP.com Prior Art Database Technical Disclosure, "A Remote Fuel Tank Depressurization Method for PHEV Vehicles", IP.com No. 000241445, Apr. 28, 2015.

(21) Appl. No.: **29/530,023**

(Continued)

(22) Filed: **Jun. 12, 2015**

Primary Examiner — David Muller

(51) **LOC (10) Cl.** **24-02**

(74) *Attorney, Agent, or Firm* — Nields, Lemack & Frame, LLC

(52) **U.S. Cl.**

USPC **D24/121**

(57) **CLAIM**

(58) **Field of Classification Search**

USPC D15/121, 123, 224, 176; 604/317-325

CPC . A61M 1/0001; A61M 1/0088; A61M 1/0005

See application file for complete search history.

The ornamental design for a pressure vessel, as shown.

DESCRIPTION

(56) **References Cited**

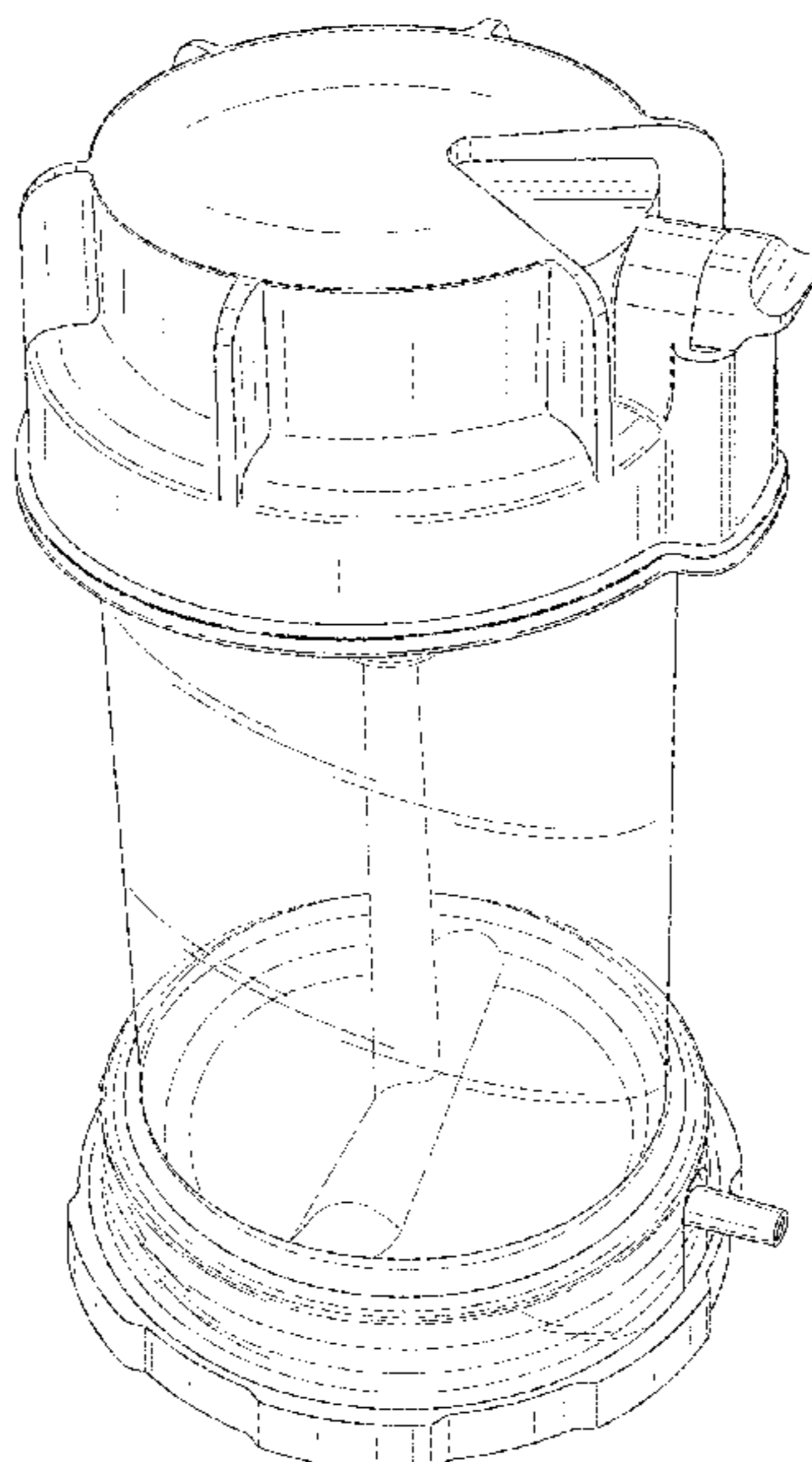
U.S. PATENT DOCUMENTS

3,539,155 A 11/1970 Agranat
3,807,396 A 4/1974 Fischel
3,868,965 A 3/1975 Noiles et al.
3,965,900 A 6/1976 Hewitt
4,082,668 A 4/1978 Zeineh et al.
D251,681 S * 4/1979 Lawler D15/135
4,190,426 A 2/1980 Ruschke
D263,504 S * 3/1982 Fowles D24/121
4,452,372 A 6/1984 Robbins
4,599,170 A 7/1986 Friedman et al.
4,784,654 A 11/1988 Beecher

FIG. 1 is a top perspective view of the pressure vessel;
FIG. 2 is a left side elevation view thereof;
FIG. 3 is a right side elevation view thereof;
FIG. 4 is a front elevation view thereof;
FIG. 5 is a rear elevation view thereof;
FIG. 6 is a top plan view thereof;
FIG. 7 is a bottom plan view thereof;
FIG. 8 is a bottom perspective view thereof; and,
FIG. 9 is a rear perspective view thereof.

The broken line showing of parts of the drawings is included for the purpose of illustrating use and environment and forms no part of the claimed design.

1 Claim, 8 Drawing Sheets



(56)

References Cited

U.S. PATENT DOCUMENTS

5,637,104 A * 6/1997 Ball A61M 1/0001
220/296
5,645,540 A * 7/1997 Henniges A61M 1/02
604/118
5,881,926 A 3/1999 Ross
D420,744 S * 2/2000 Ostgaard D24/224
6,358,232 B1 * 3/2002 Hand A61M 1/0005
141/329
6,443,978 B1 9/2002 Zharov
D510,769 S * 10/2005 Bublewitz D24/224
7,395,755 B1 7/2008 Deese
D690,826 S * 10/2013 Kuroda D24/224
8,991,418 B2 3/2015 Lin
D731,672 S * 6/2015 Kuroda D24/224
D735,880 S * 8/2015 Bargh D24/224
2004/0020368 A1 2/2004 Cai
2009/0264837 A1 10/2009 Adahan
2009/0301601 A1 12/2009 Enerson et al.
2009/0311776 A1 12/2009 Kelly et al.
2010/0044379 A1 2/2010 Asterlin et al.
2013/0315780 A1 11/2013 Cook et al.
2014/0165984 A1 6/2014 Colby
2014/0166439 A1 6/2014 Hughes
2014/0209538 A1 * 7/2014 Nahmani B01D 63/00
210/650
2014/0224770 A1 8/2014 Hensberger et al.
2014/0231442 A1 8/2014 Hill et al.
2014/0284913 A1 * 9/2014 Diehl F16L 35/00
285/1
2014/0299536 A1 * 10/2014 Baba B01D 29/114
210/444
2014/0339223 A1 11/2014 Backaert et al.
2015/0090339 A1 4/2015 Spexarth et al.
2016/0228870 A1 8/2016 Clark et al.

FOREIGN PATENT DOCUMENTS

CN 103759136 A 4/2014
CN 203515652 U 4/2014
CN 203560190 U 4/2014
CN 203641606 U 6/2014
CN 203670939 U 6/2014
CN 103940290 A 7/2014
CN 203680125 U 7/2014
CN 203742648 U 7/2014
CN 103965396 A 8/2014
CN 103979489 A 8/2014
CN 104003391 A 8/2014
CN 104051966 A 9/2014
CN 104056584 A 9/2014
CN 203809033 U 9/2014

CN 203836316 U 9/2014
CN 203925571 U 11/2014
CN 203926765 U 11/2014
CN 104235586 A 12/2014
CN 204061366 U 12/2014
CN 204096239 U 1/2015
CN 204115048 U 1/2015
CN 204174183 U 2/2015
CN 204178907 U 2/2015
CN 204225842 U 3/2015
CN 104571171 A 4/2015
CN 104594452 A 5/2015
CN 204319475 U 5/2015
CN 204325755 U 5/2015
CN 204340819 U 5/2015
CN 204345009 U 5/2015
CN 204348664 U 5/2015
CN 204378994 U 6/2015
CN 204416587 U 6/2015
CN 204465091 U 7/2015
CN 204468915 U 7/2015
CN 204474360 U 7/2015
CN 204476682 U 7/2015
CN 204514387 U 7/2015
DE 3341600 A1 5/1984
DE 8337223U1 U1 9/1984
DE 3445446 A1 7/1985
DE 3407787 A1 9/1985
DE 3807188 A1 11/1988
DE 102014000616 A1 7/2015
EP 0359995 A2 3/1990
GB 186605 A 1/1923
GB 786872 A 11/1957
GB 1283273 A 7/1972
GB 2516252 A 1/2015
IN 1474/CHE/2015 A 4/2015
JP 51-24670 U 2/1976
JP 2007303553 A 11/2007
JP 2014-226556 A 12/2014
KR 101429592 B1 8/2014
WO 2008079109 A1 7/2008
WO 2015036137 A2 3/2015
WO 2015109639 A1 7/2015

OTHER PUBLICATIONS

“Stirred Ultrafiltration Cells” User Guide dated Oct. 2004.
European communication dated Jun. 13, 2016 in co-pending European patent application No. 16155180.9.
Japanese communication, with English translation, dated Feb. 28, 2017 in co-pending Japanese patent application No. 2016-024045.
Office action dated May 18, 2017 in co-pending U.S. Appl. No. 14/994,402.

* cited by examiner

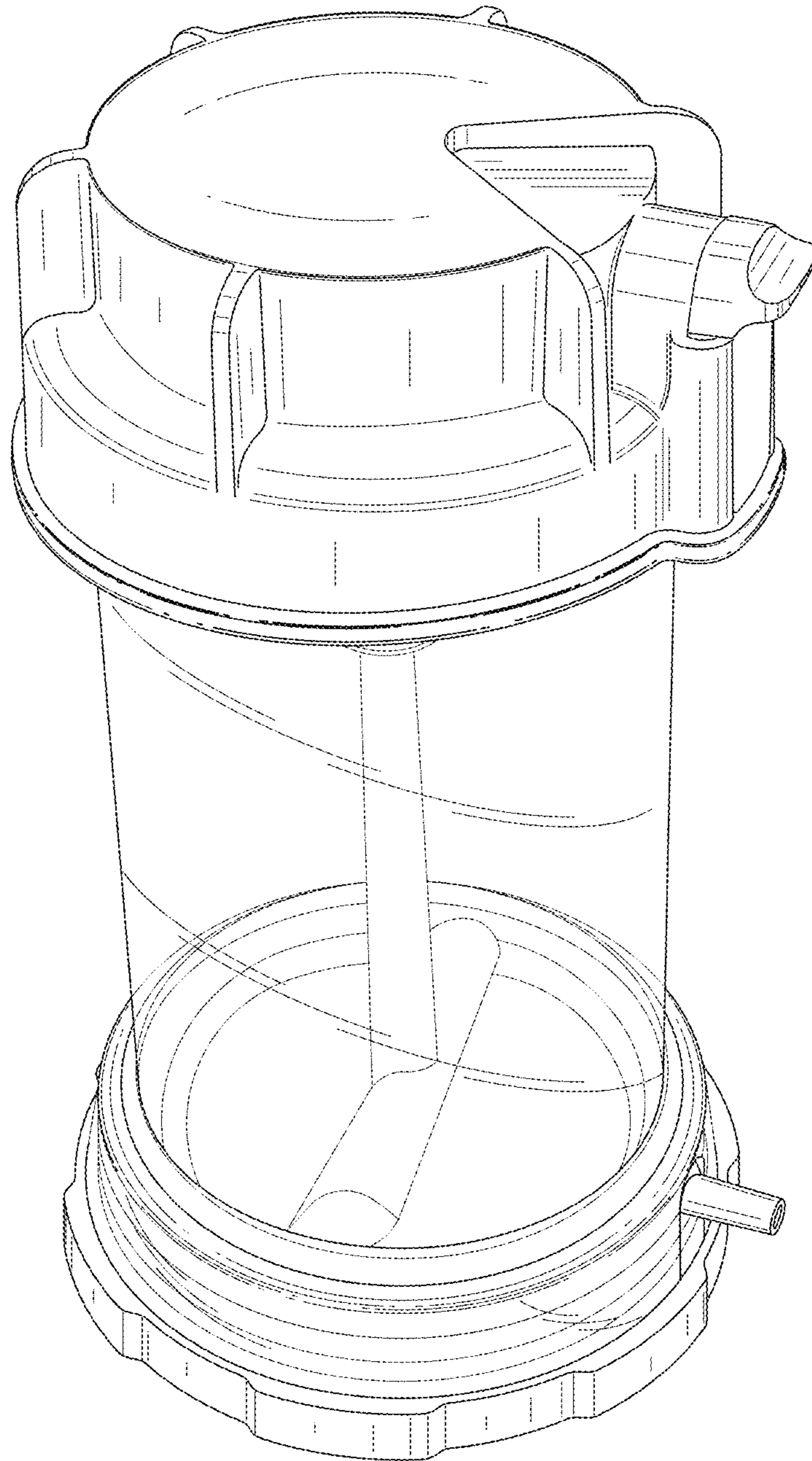


FIG. 1

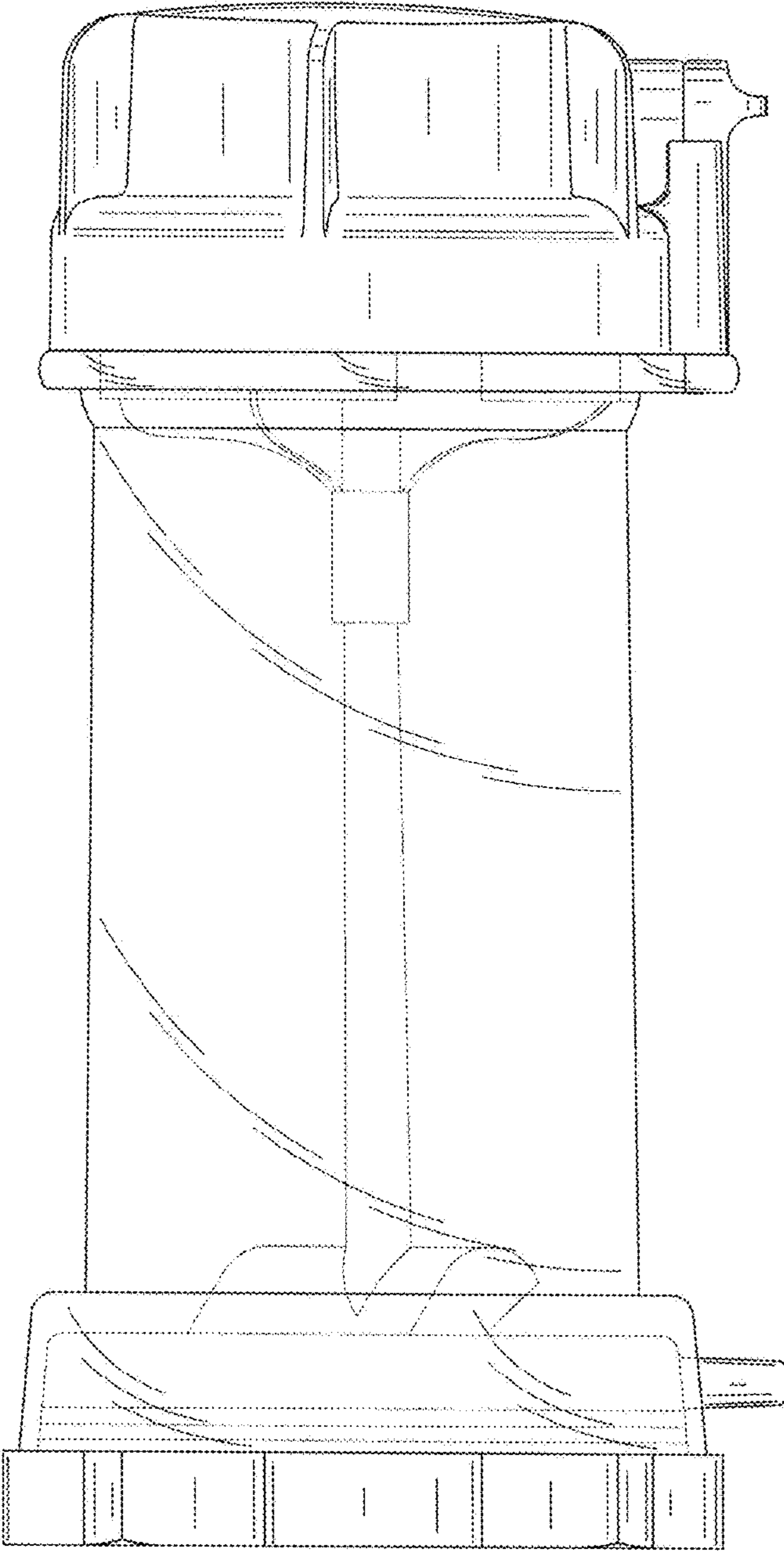


FIG. 2

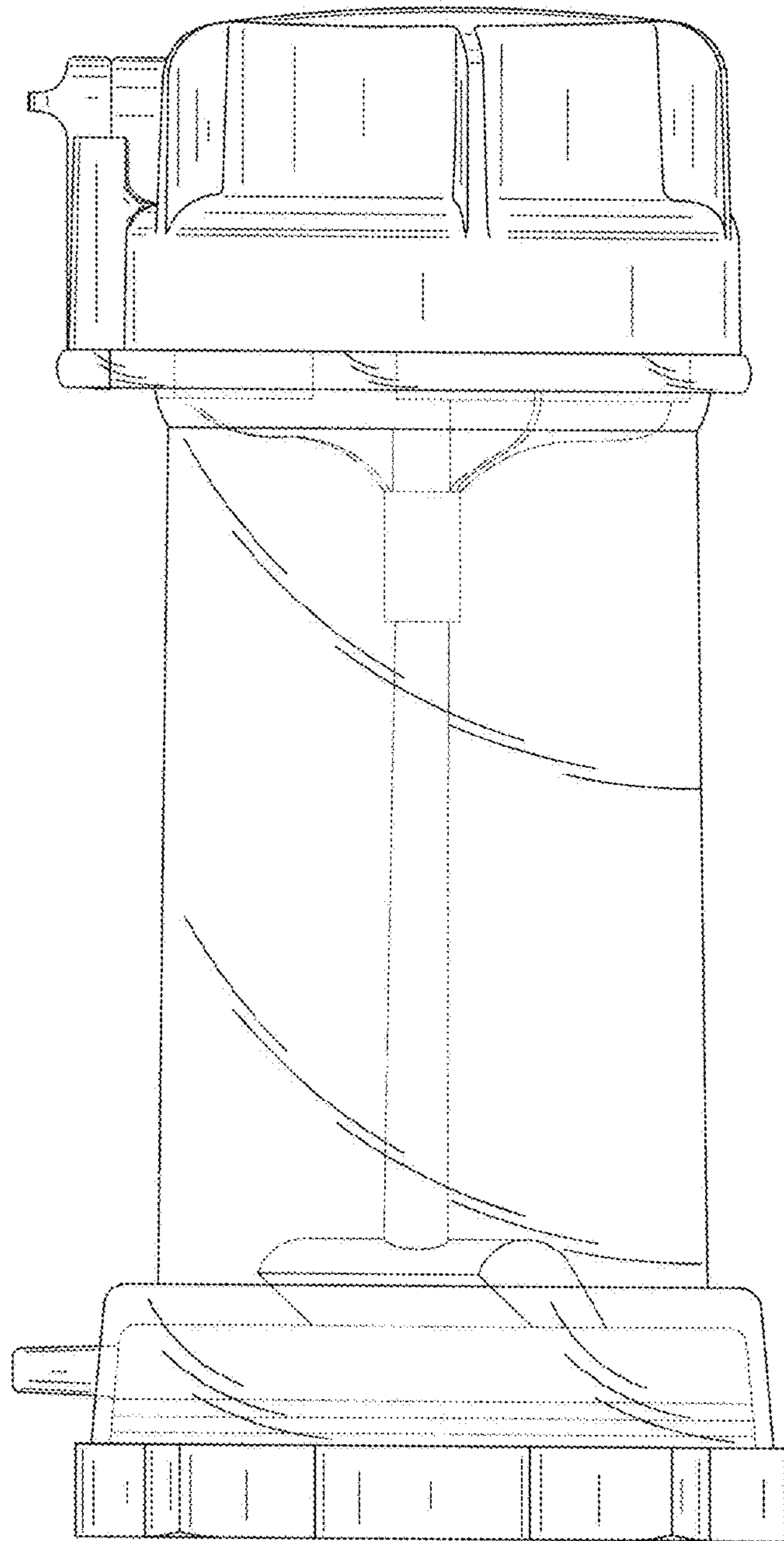


FIG. 3

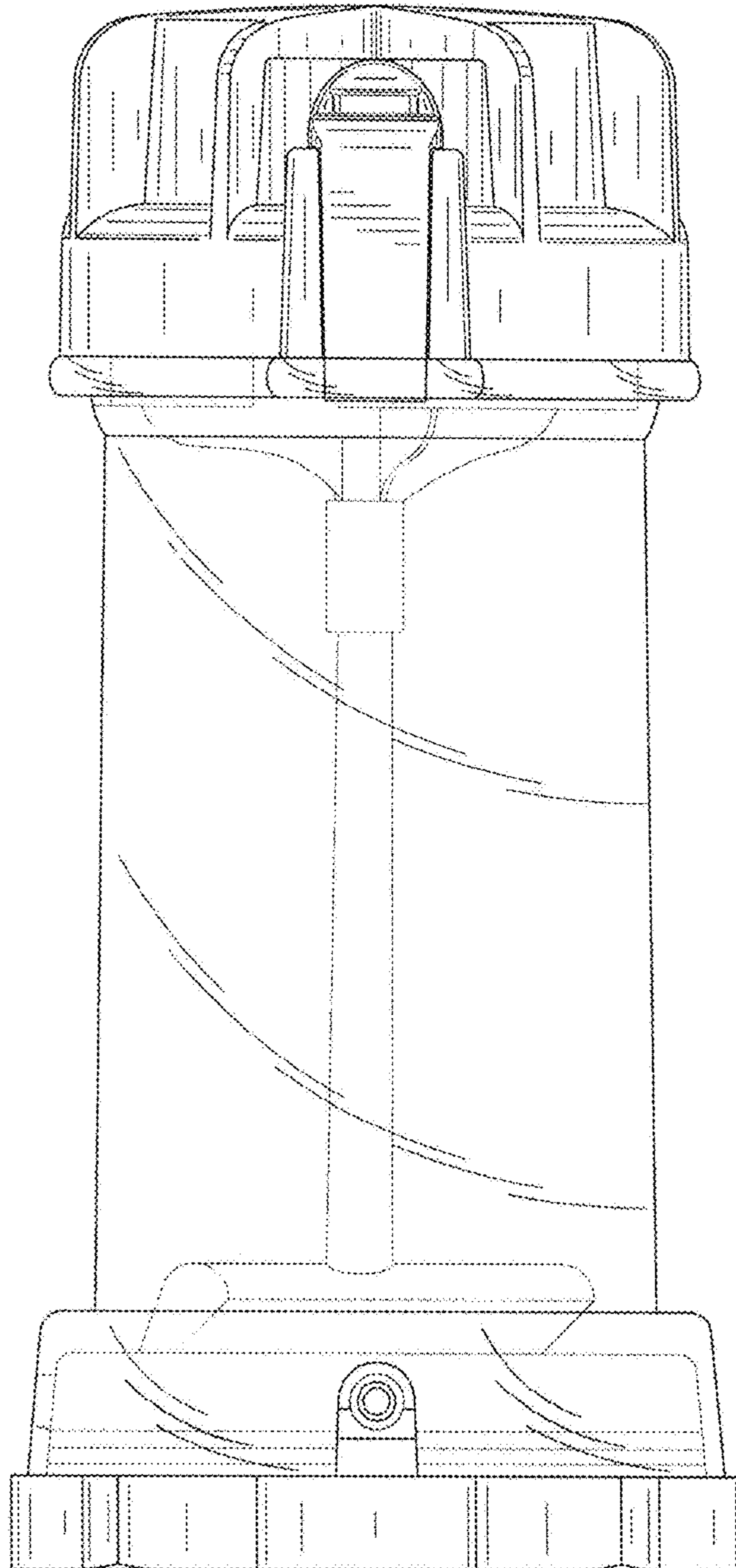


FIG. 4

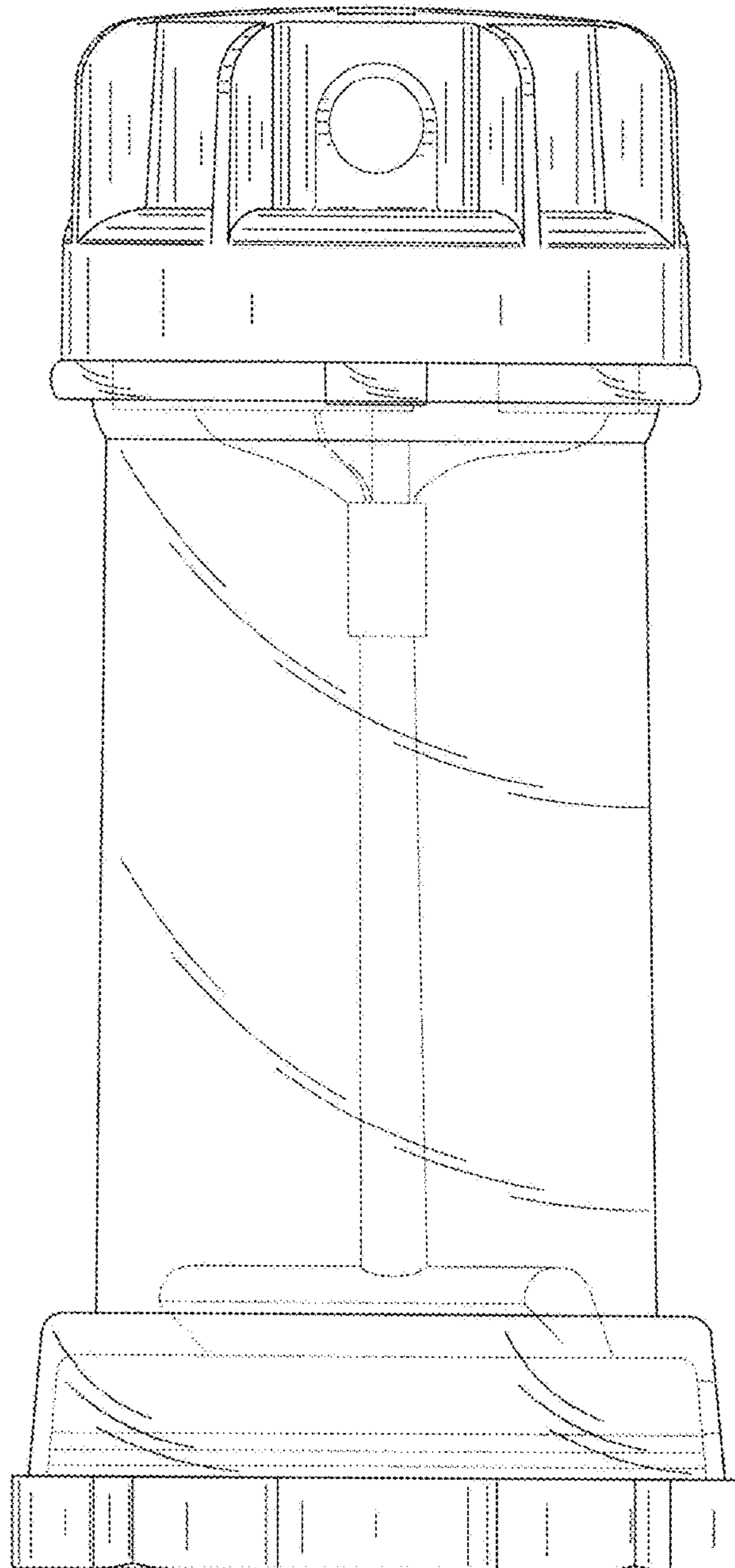


FIG. 5

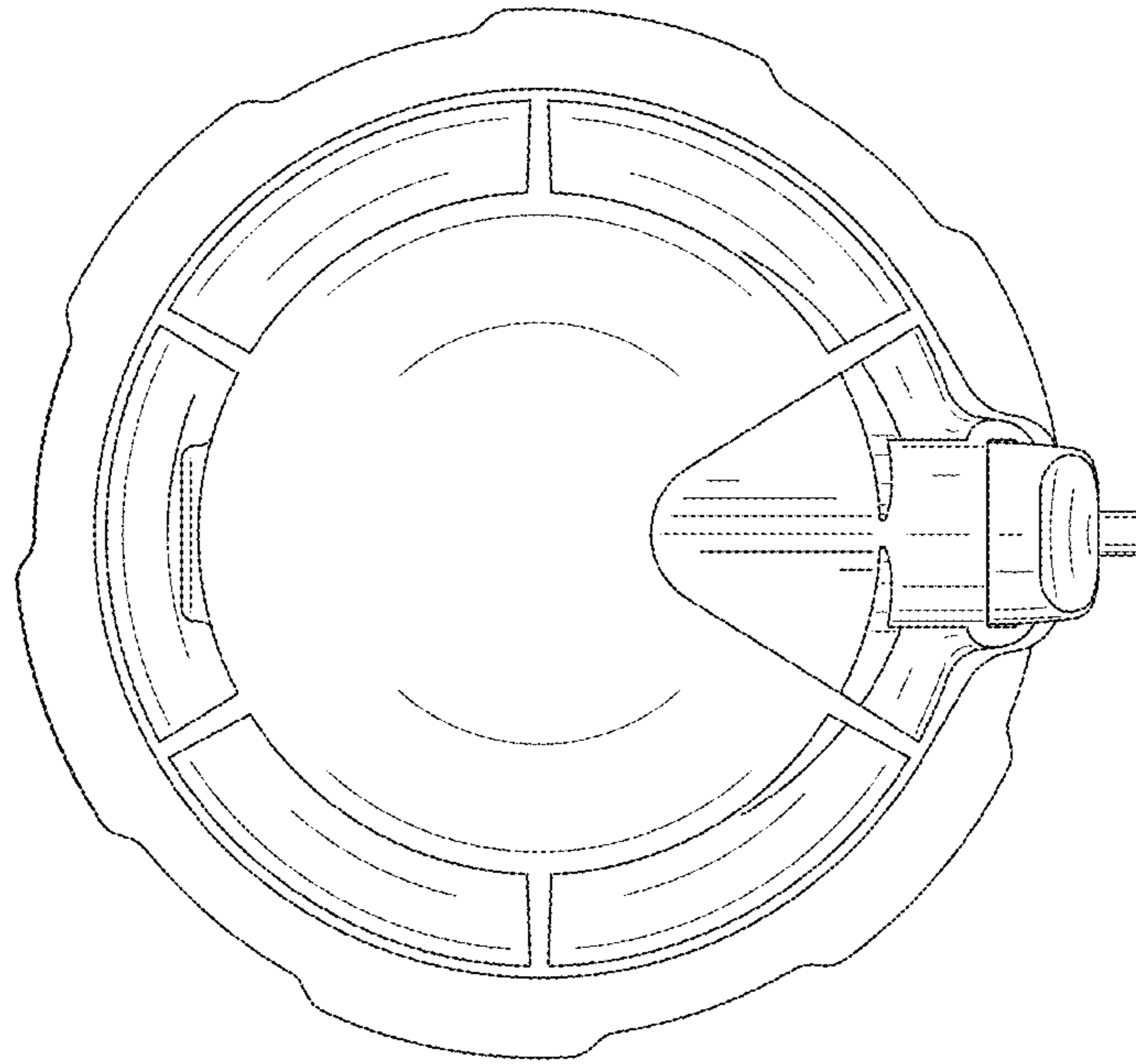


FIG. 6

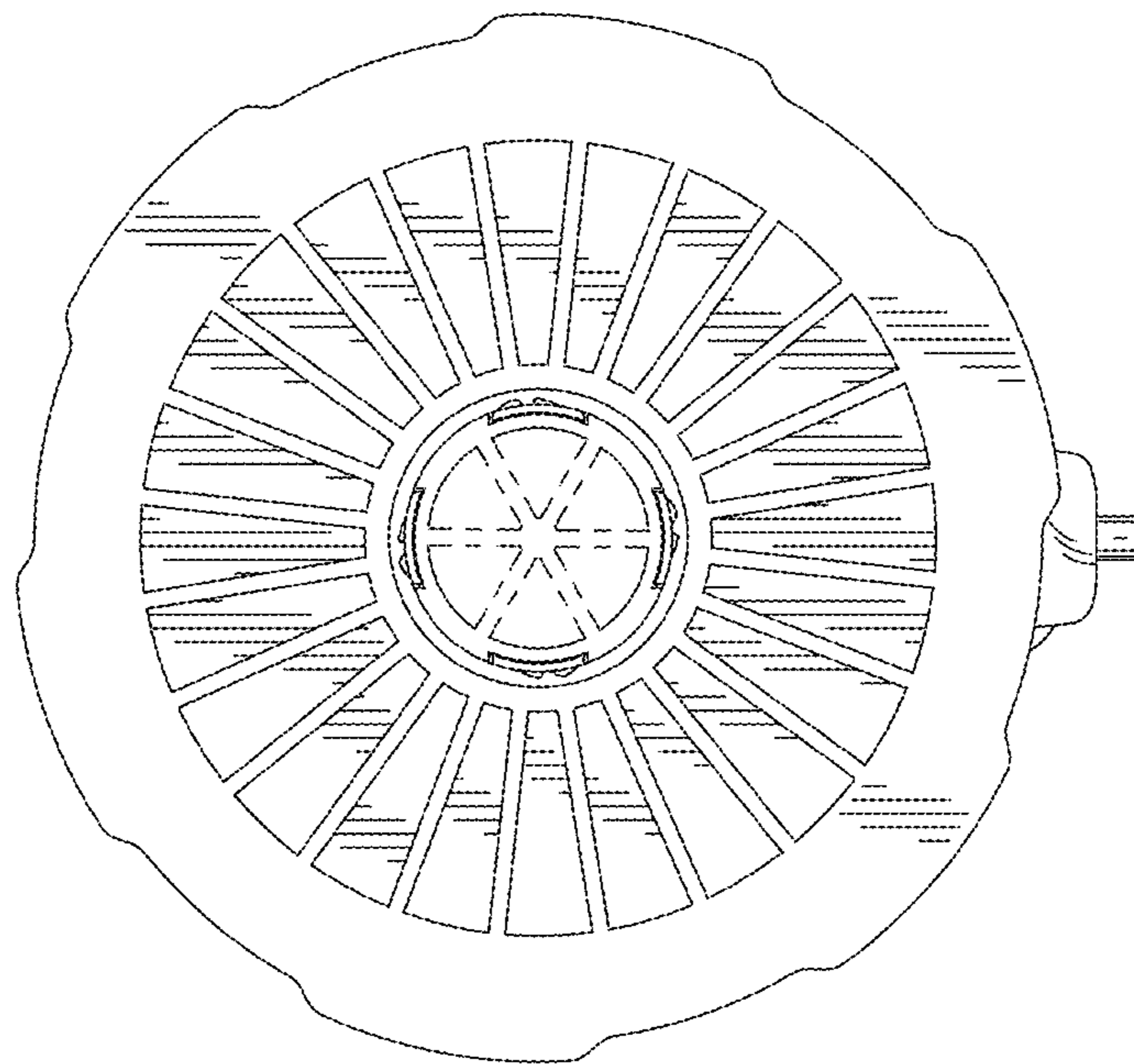


FIG. 7

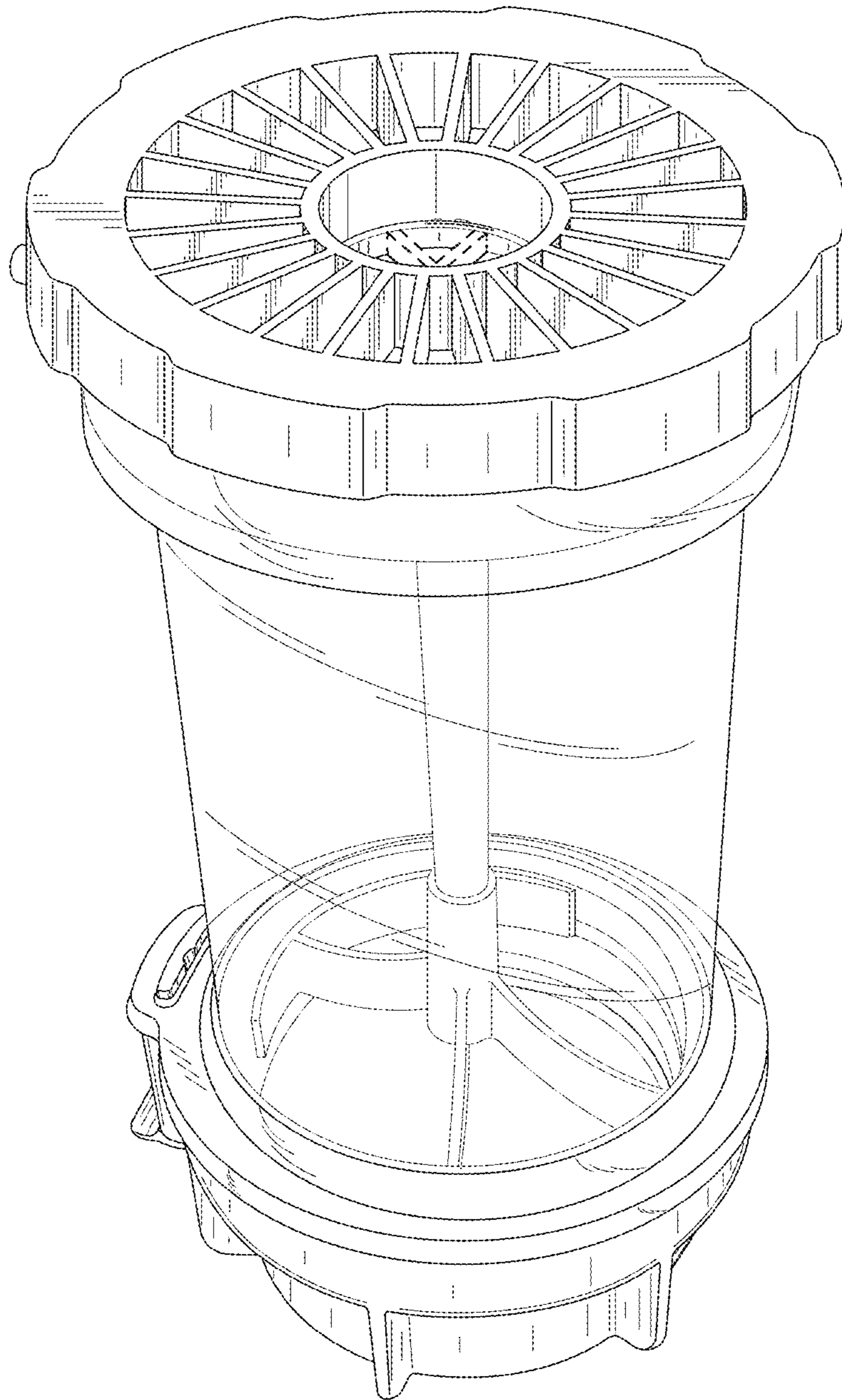


FIG. 8

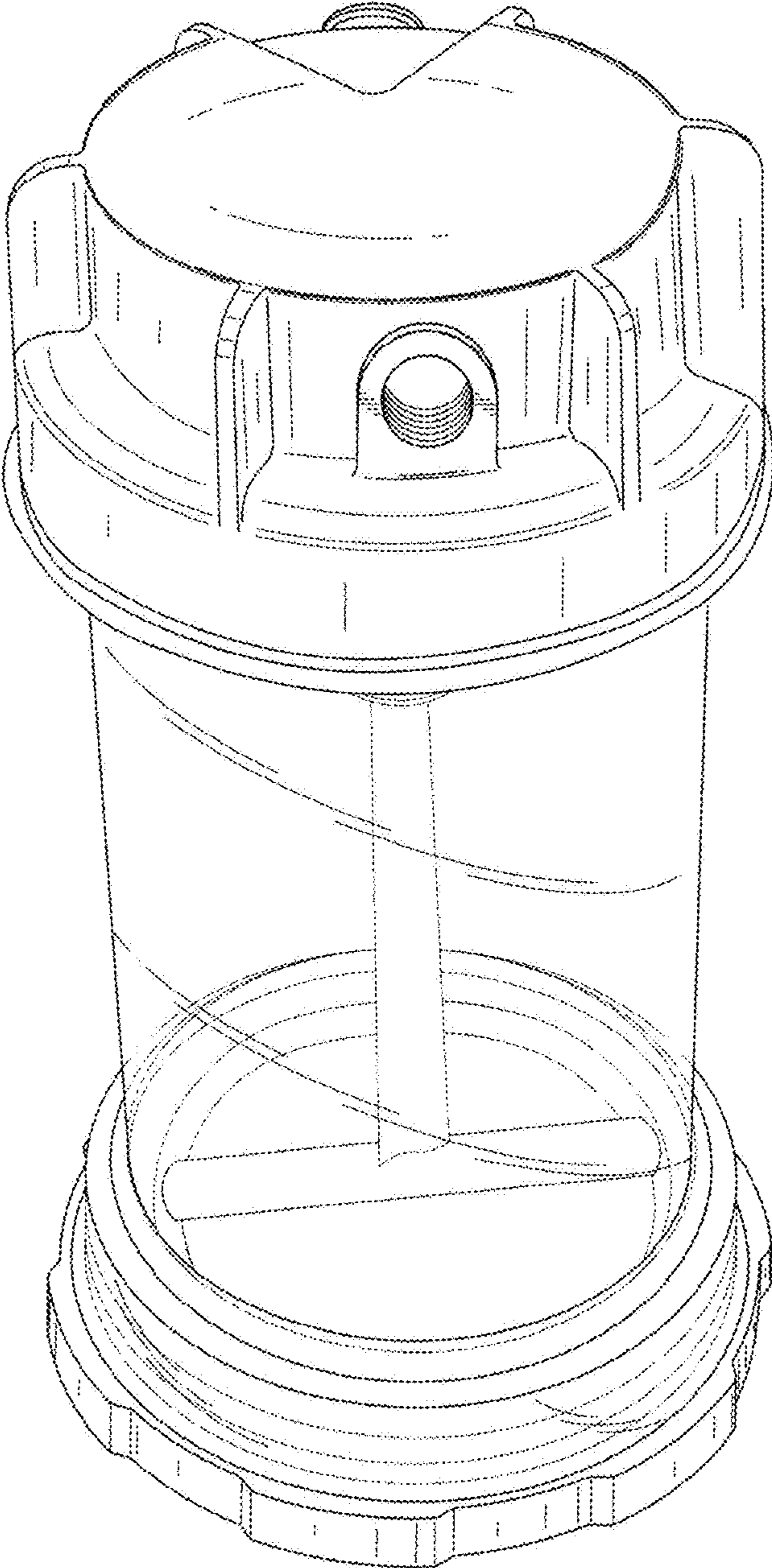


FIG. 9