



US00D804652S

(12) **United States Design Patent** (10) **Patent No.:** **US D804,652 S**
Sarver et al. (45) **Date of Patent:** **** Dec. 5, 2017**

(54) **SAMPLER**

A61M 2205/583; A61M 2205/60; A61M 2205/584; F04C 2270/041

(71) Applicant: **Neogen Corporation**, Lansing, MI (US)

See application file for complete search history.

(72) Inventors: **Ronald Sarver**, Dexter, MI (US);
Kenneth Kodilla, Dimondale, MI (US);
Christopher Eakin, Laingsburg, MI (US);
Phillip McKinney, Dewitt, MI (US);
Nathaniel Banner, Lansing, MI (US);
Emma Settington, Lansing, MI (US)

(56) **References Cited**

U.S. PATENT DOCUMENTS

D287,877 S 1/1987 Holewinski et al.
5,279,586 A * 1/1994 Balkwill A61M 5/3158
222/309

D378,406 S 3/1997 Kugler
(Continued)

(73) Assignee: **NEOGEN CORPORATION**, Lansing, MI (US)

OTHER PUBLICATIONS

AccuPoint 2 Sanitation Monitoring System, Product Brochure, Neogen Corporation, Dec. 21, 2010.

(**) Term: **15 Years**

Primary Examiner — Thomas Johannes

Assistant Examiner — Samantha Q Lawrence

(21) Appl. No.: **29/556,657**

(74) *Attorney, Agent, or Firm* — Honigman Miller

Schwartz and Cohn LLP; Douglass H. Siegel; Jonathan P. O'Brien

(22) Filed: **Mar. 2, 2016**

(57) **CLAIM**

We claim the ornamental design for a sampler, as shown and described.

Related U.S. Application Data

DESCRIPTION

(62) Division of application No. 29/449,626, filed on Mar. 15, 2013, now Pat. No. Des. 757,256.

(51) **LOC (10) Cl.** **24-02**

(52) **U.S. Cl.**
USPC **D24/119**

(58) **Field of Classification Search**

USPC D24/112–114, 118, 119, 127, 130, 133,
D24/186, 104; 604/189, 131, 187, 181,
604/184, 185, 192, 197, 198, 227, 232,
604/263; D8/107; 606/181, 185

CPC .. A61M 5/20; A61M 5/2033; A61M 5/31501;
A61M 2005/2006; A61M 2005/3126;

FIG. 1 is a perspective view of a sampler, embodying my new design.

FIG. 2 is a front elevation view thereof.

FIG. 3 is a back elevation view thereof.

FIG. 4 is a right elevation view thereof.

FIG. 5 is a left elevation view thereof.

FIG. 6 is a top plan view thereof.

FIG. 7 is a bottom plan view thereof.

FIG. 8 is a perspective view of the sampler in an alternate configuration of use, showing the sampler tube and sampler wand separately.

FIG. 9 is a front elevation view thereof.

FIG. 10 is a back elevation view thereof.

FIG. 11 is a right elevation view thereof.

(Continued)

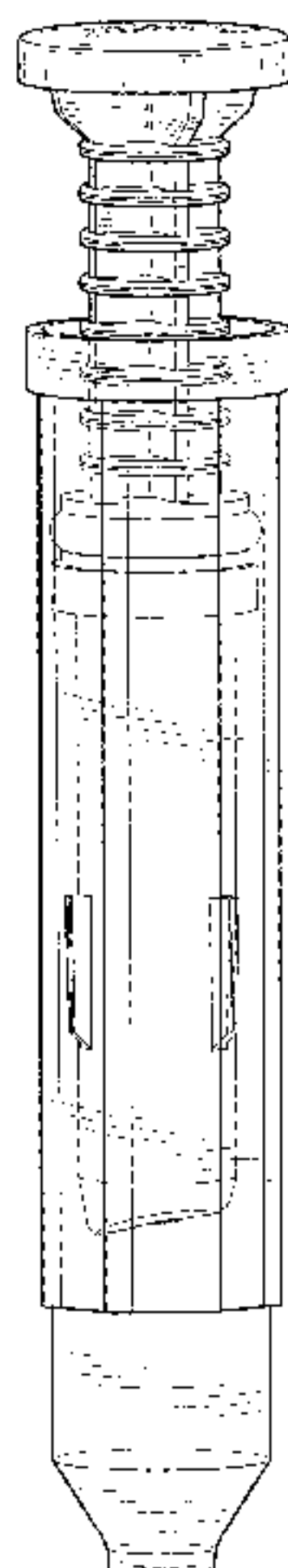


FIG. 12 is a left elevation view thereof.
 FIG. 13 is a top plan view thereof; and,
 FIG. 14 is a bottom plan view thereof.
 The broken lines in the drawing views depict portions of the design that form no part of the claim.

1 Claim, 8 Drawing Sheets

(56)

References Cited

U.S. PATENT DOCUMENTS

D401,324 S	11/1998	Hjertman et al.	
D401,325 S	11/1998	Hjertman et al.	
D419,236 S	1/2000	Carlson et al.	
D419,671 S	1/2000	Jansen	
D421,121 S	2/2000	Prasad et al.	
D445,176 S	7/2001	Landers	
6,475,194 B2 *	11/2002	Domici, Jr.	A61M 5/3271 604/187
6,541,194 B2	4/2003	DiCesare	
6,548,018 B2	4/2003	DiCesare et al.	
6,653,147 B2	11/2003	DiCesare	
6,881,554 B2	4/2005	DiCesare et al.	
6,887,681 B2	5/2005	DiCesare et al.	
7,060,223 B2	6/2006	DiCesare et al.	
7,485,262 B2	2/2009	DiCesare et al.	
D588,693 S	3/2009	Strong et al.	
7,497,847 B2 *	3/2009	Crawford	A61M 5/326 604/110

D610,678 S	2/2010	Kawamura	
D618,347 S	6/2010	Bradshaw	
7,749,195 B2 *	7/2010	Hommann	A61M 5/2033 604/135
D624,174 S	9/2010	Omori et al.	
D635,248 S	3/2011	Coale	
7,901,363 B2	3/2011	Duchon et al.	
D645,958 S	9/2011	Assmann et al.	
D649,405 S	11/2011	Lingo	
D657,462 S	4/2012	Siroky	
D657,867 S	4/2012	Effenberger	
D667,530 S	9/2012	Wyne	
D677,789 S	3/2013	Row et al.	
D690,806 S	10/2013	Nakayama et al.	
D692,308 S	10/2013	Baker	
D698,918 S	2/2014	Leiner et al.	
9,033,935 B2 *	5/2015	Bostrom	A61M 5/2033 604/198
9,144,648 B2 *	9/2015	Lesch, Jr.	A61M 5/2033
9,352,089 B2 *	5/2016	Hourmand	A61M 5/2033
9,364,611 B2 *	6/2016	KraMer	A61M 5/20
9,446,195 B2 *	9/2016	Kramer	A61M 5/2033
2006/0189933 A1 *	8/2006	Alheidt	A61M 5/326 604/110
2008/0097337 A1 *	4/2008	Judd	A61M 5/326 604/198
2008/0119794 A1	5/2008	Alheidt et al.	
2008/0208140 A1 *	8/2008	Barrelle	A61M 5/3257 604/198
2009/0024093 A1 *	1/2009	Carrel	A61M 5/326 604/198

* cited by examiner

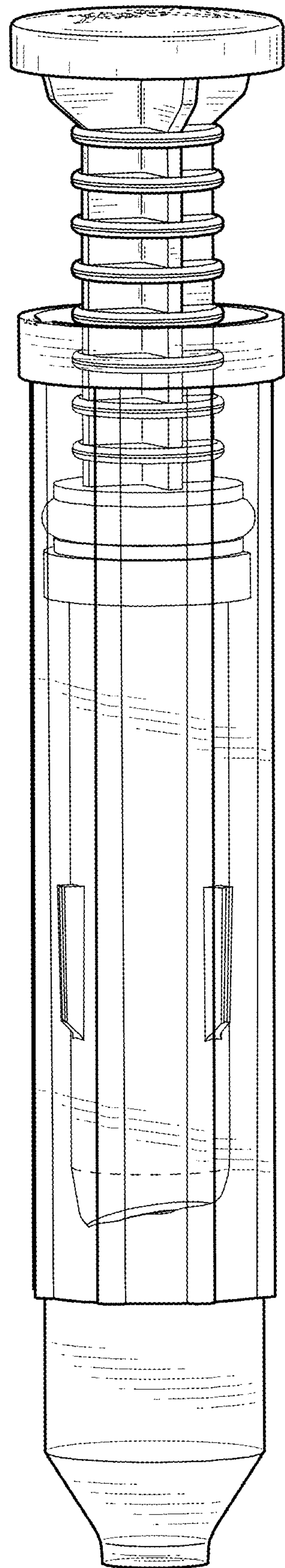


FIG. 1

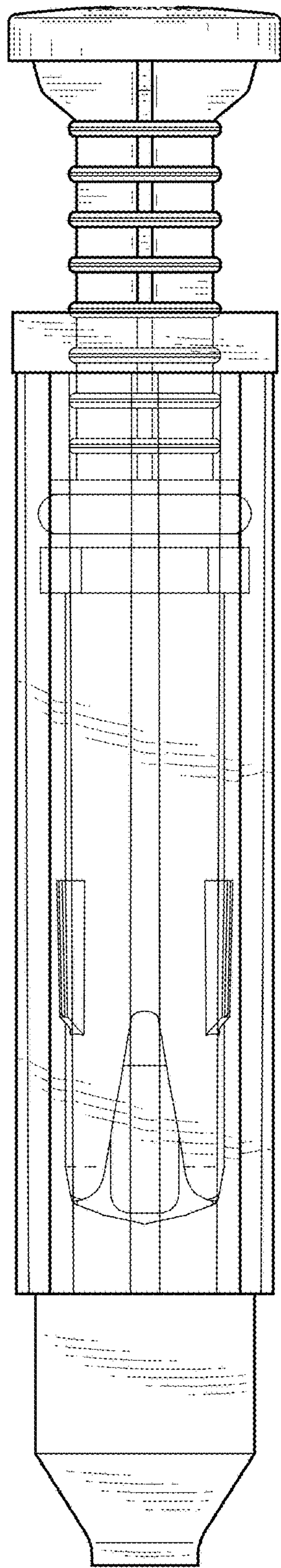


FIG. 2

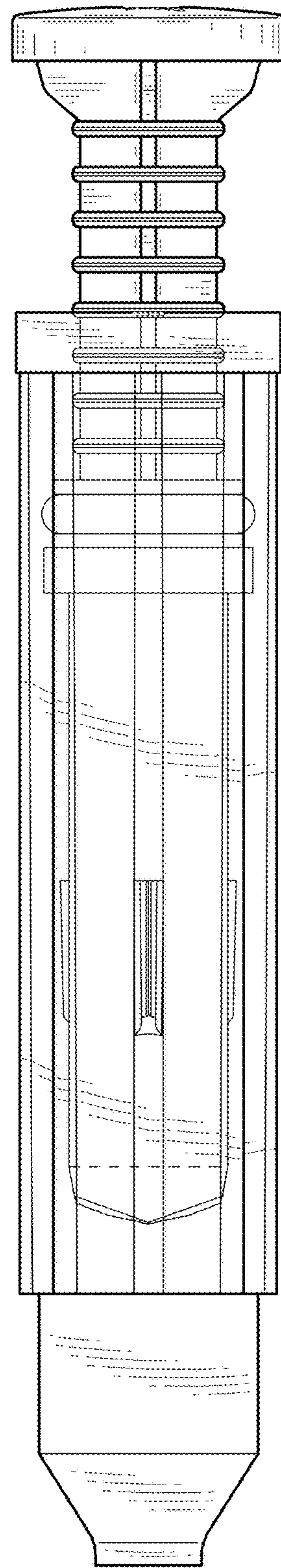


FIG. 3

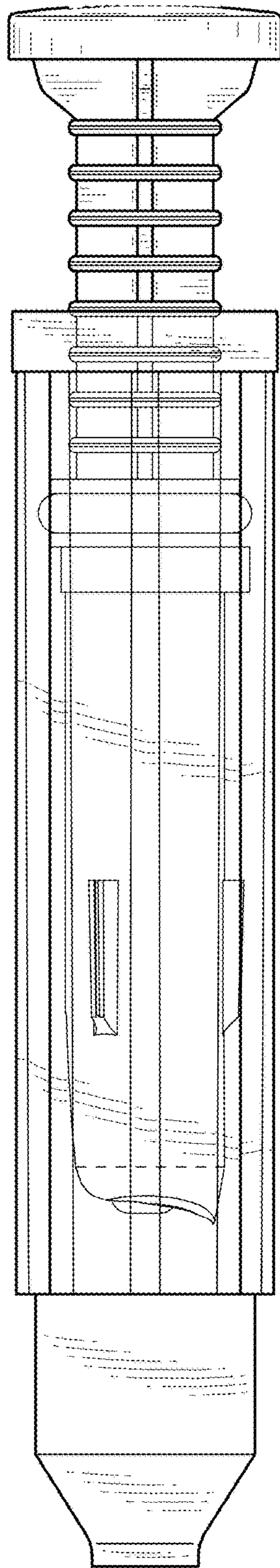


FIG. 4

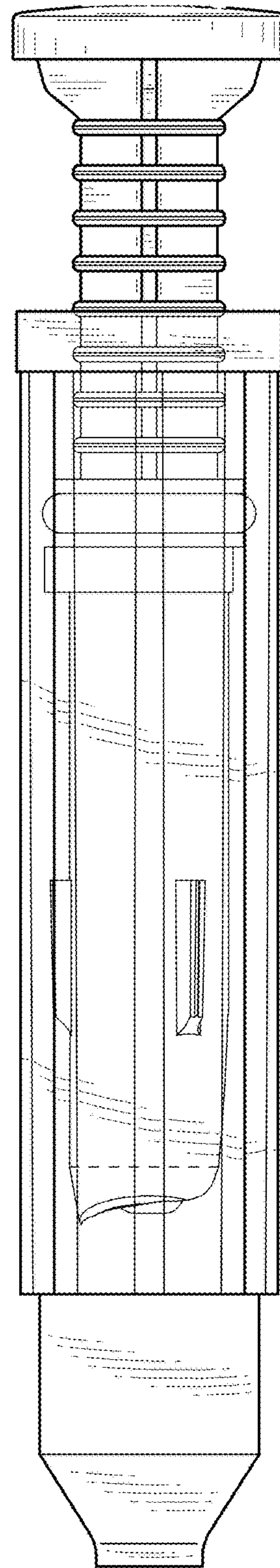


FIG. 5

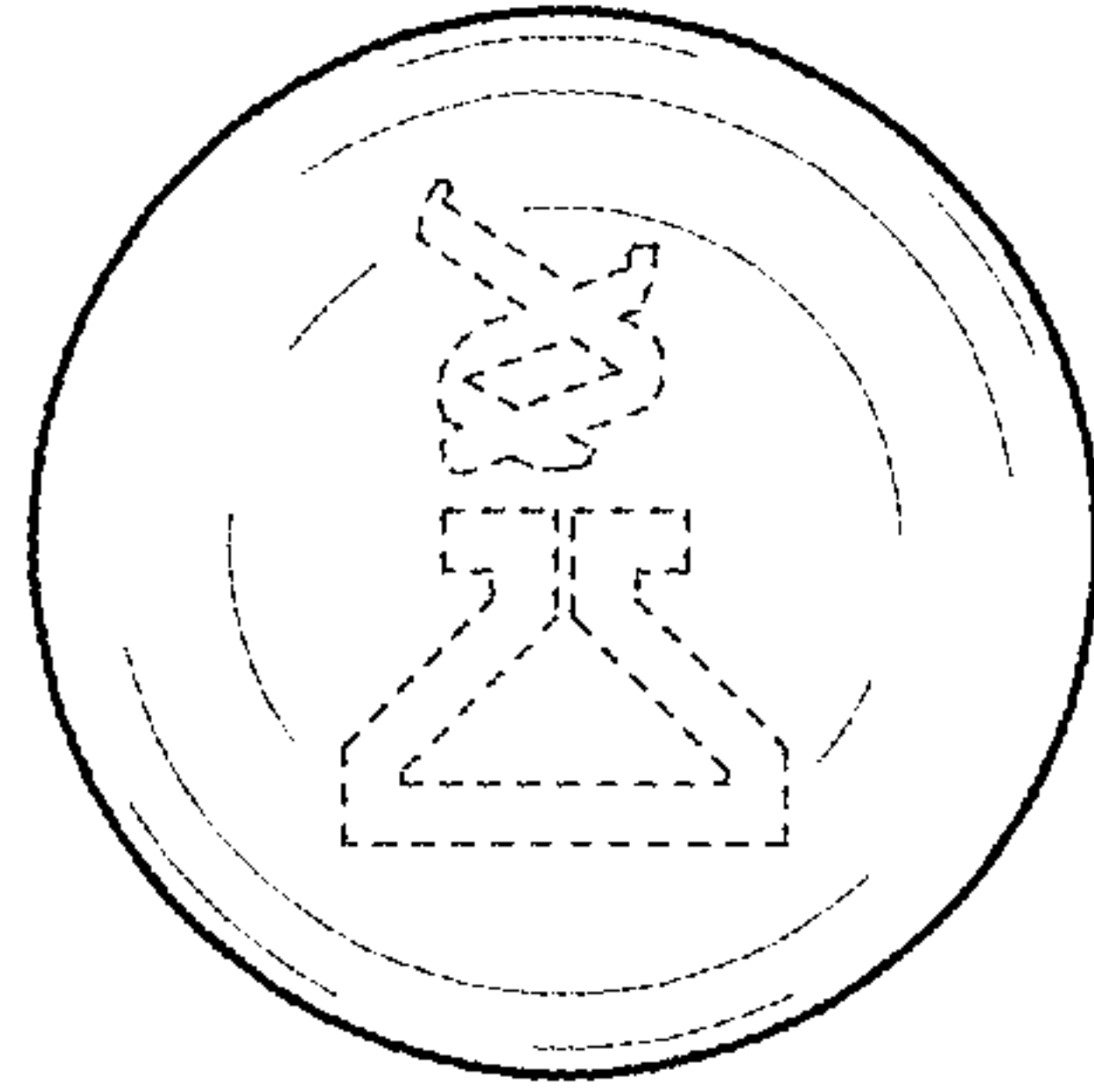


FIG. 6

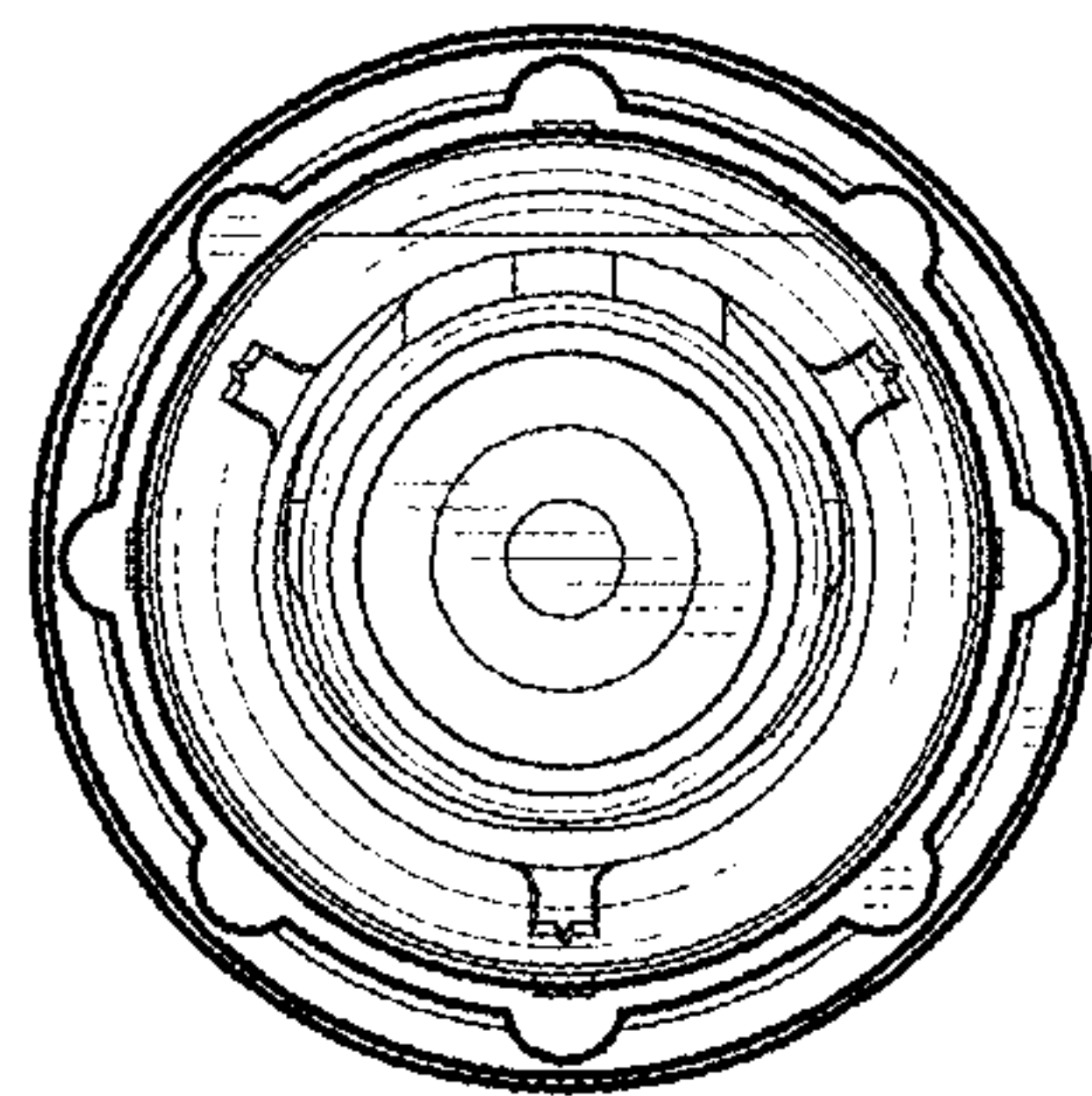


FIG. 7

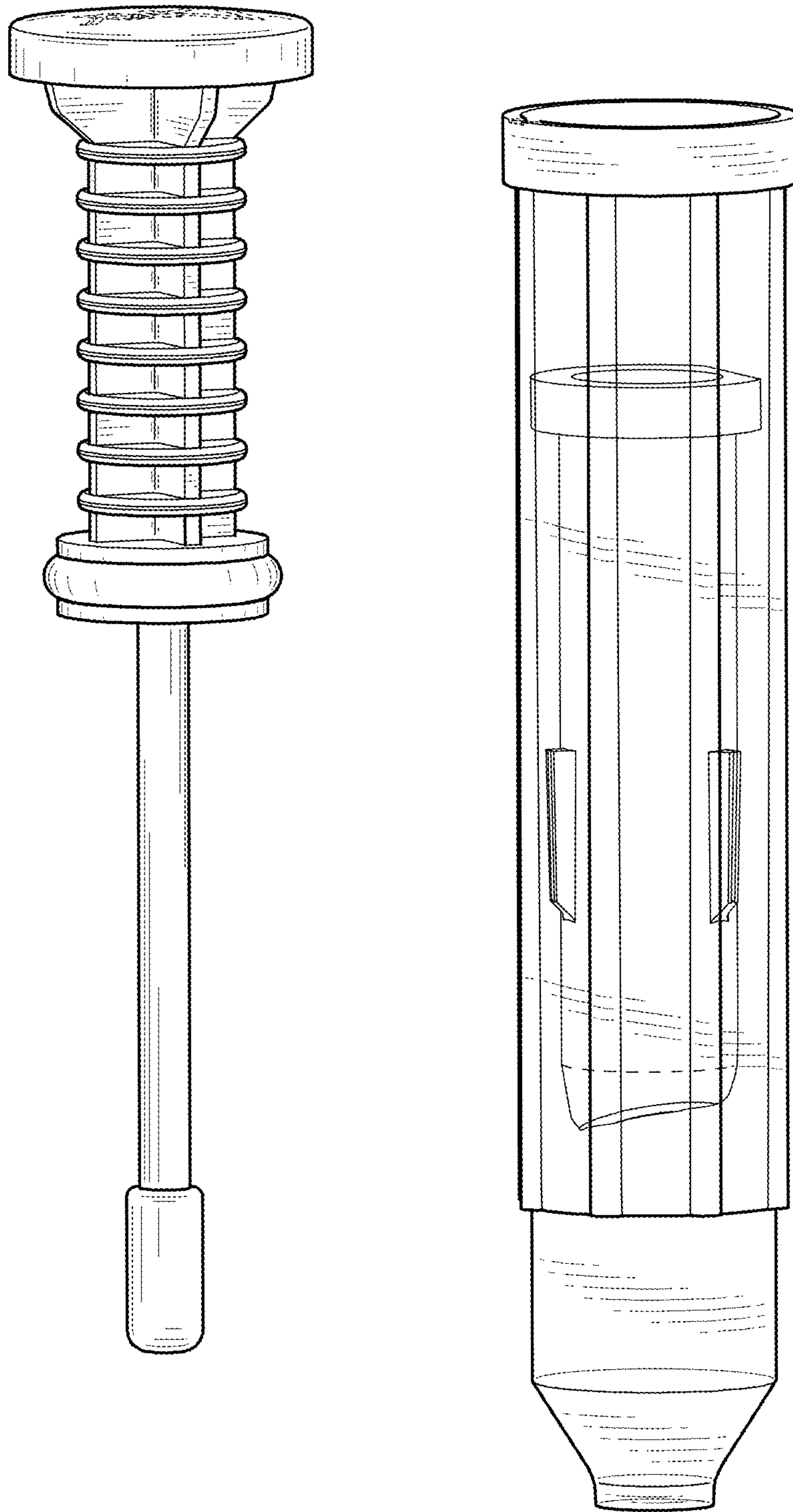


FIG. 8

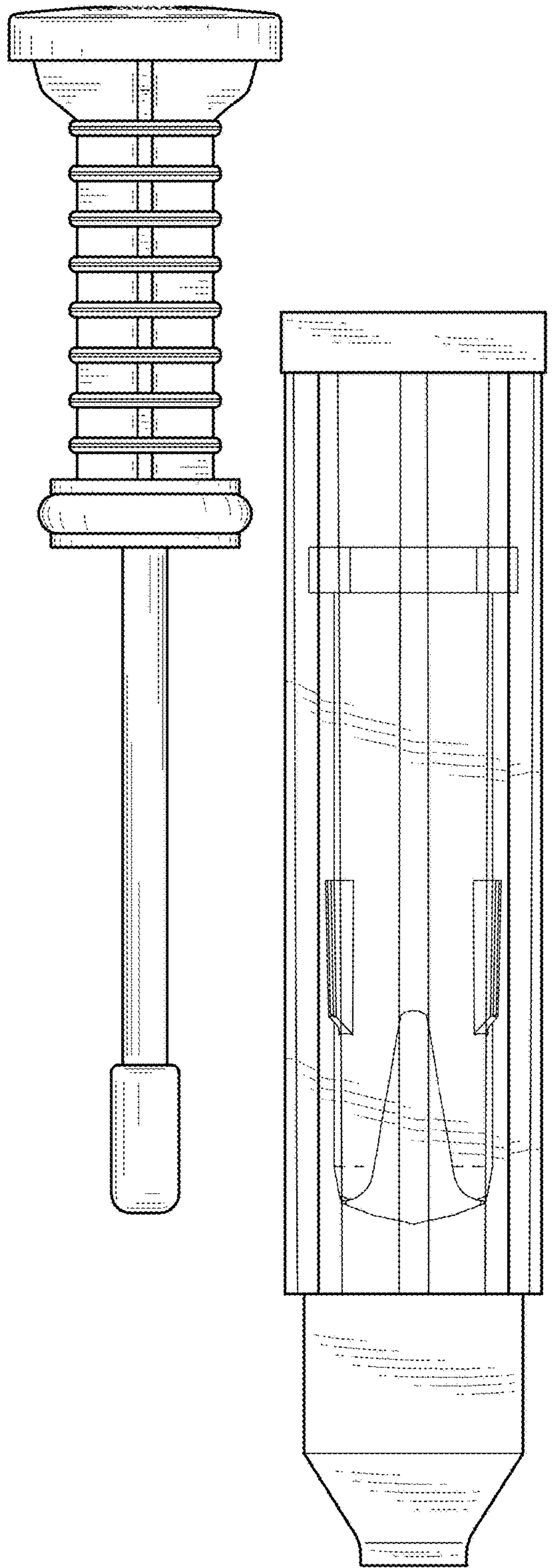


FIG. 9

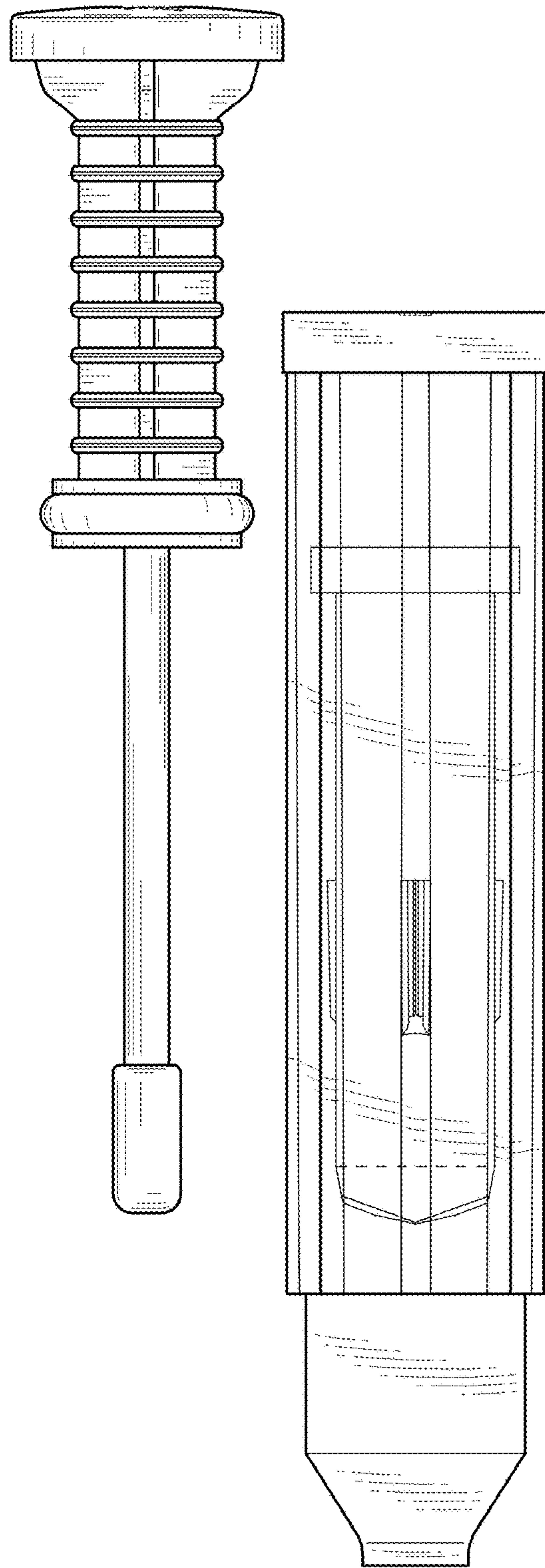


FIG. 10

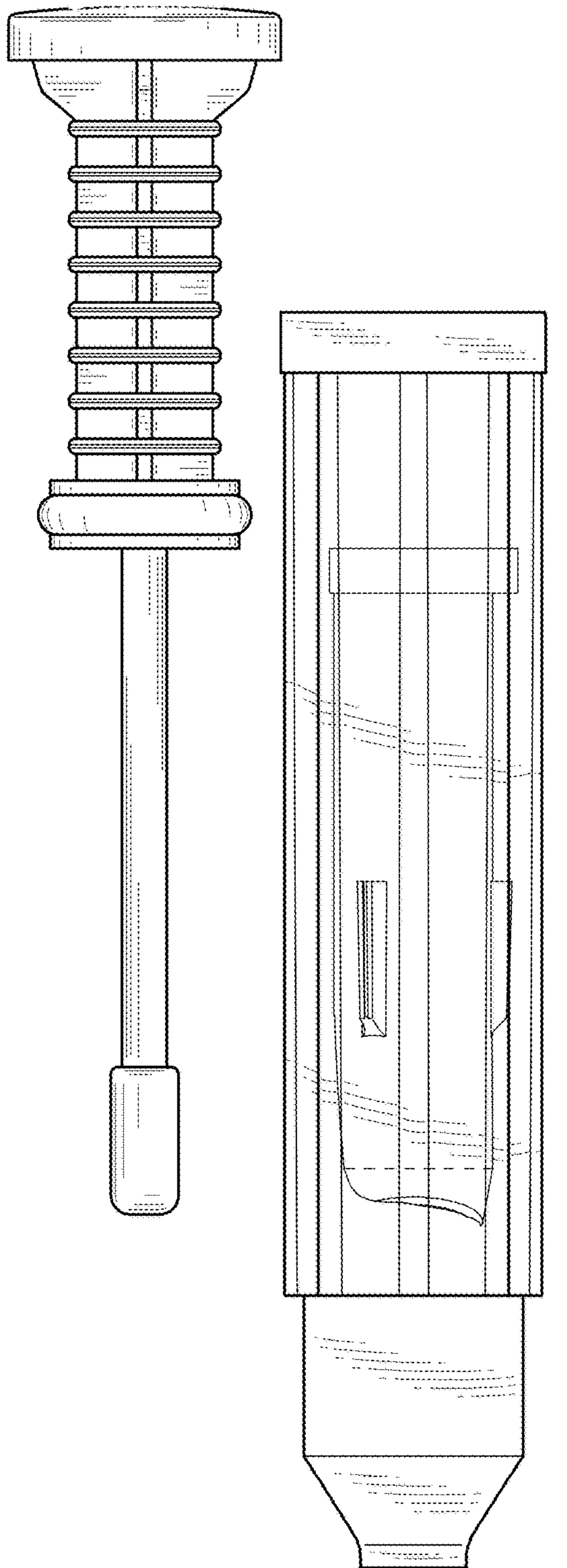


FIG. 11

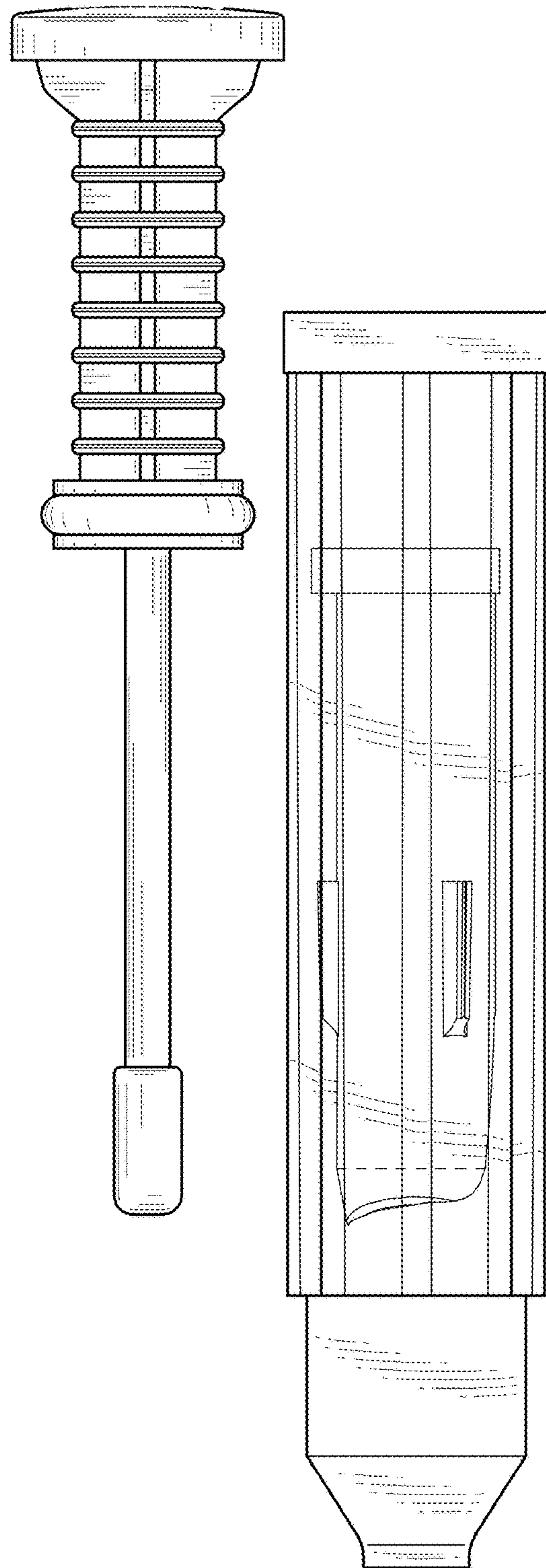


FIG. 12

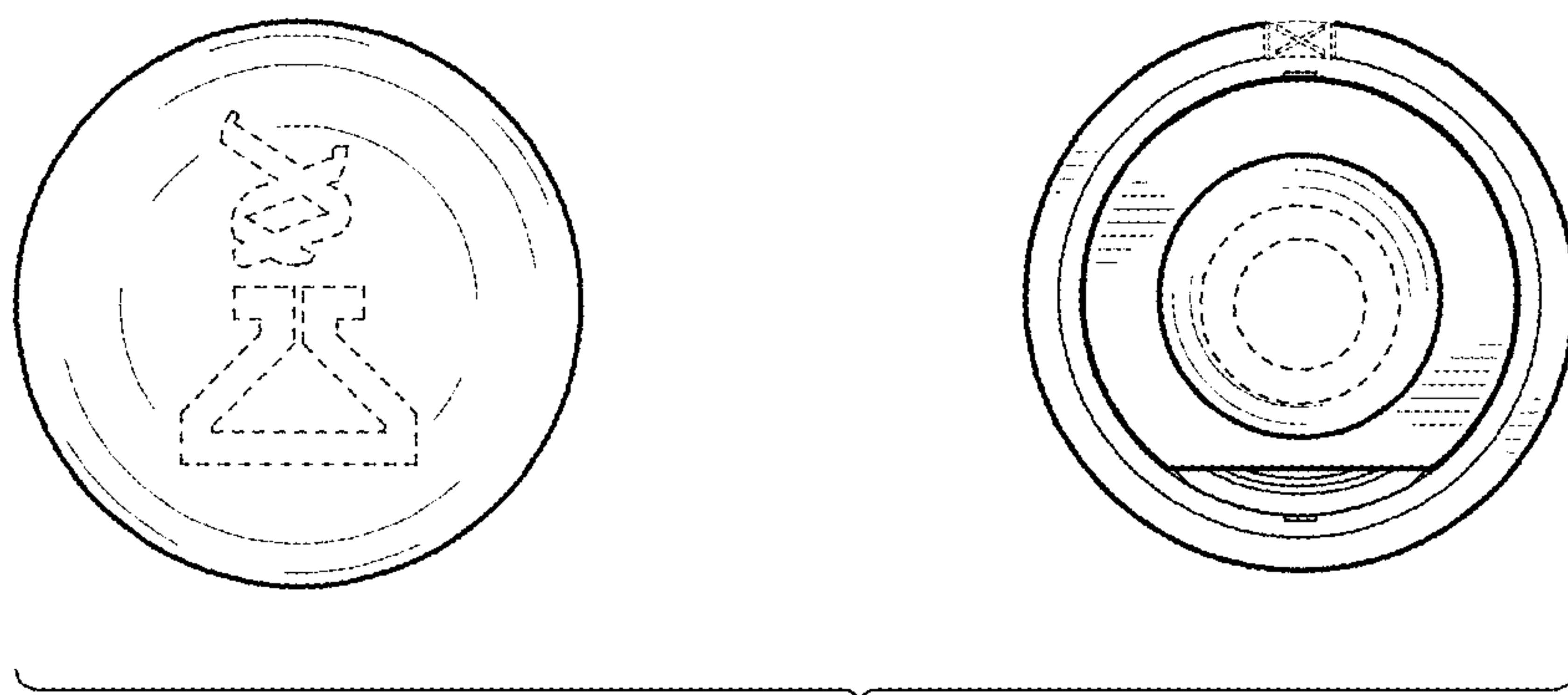


FIG. 13

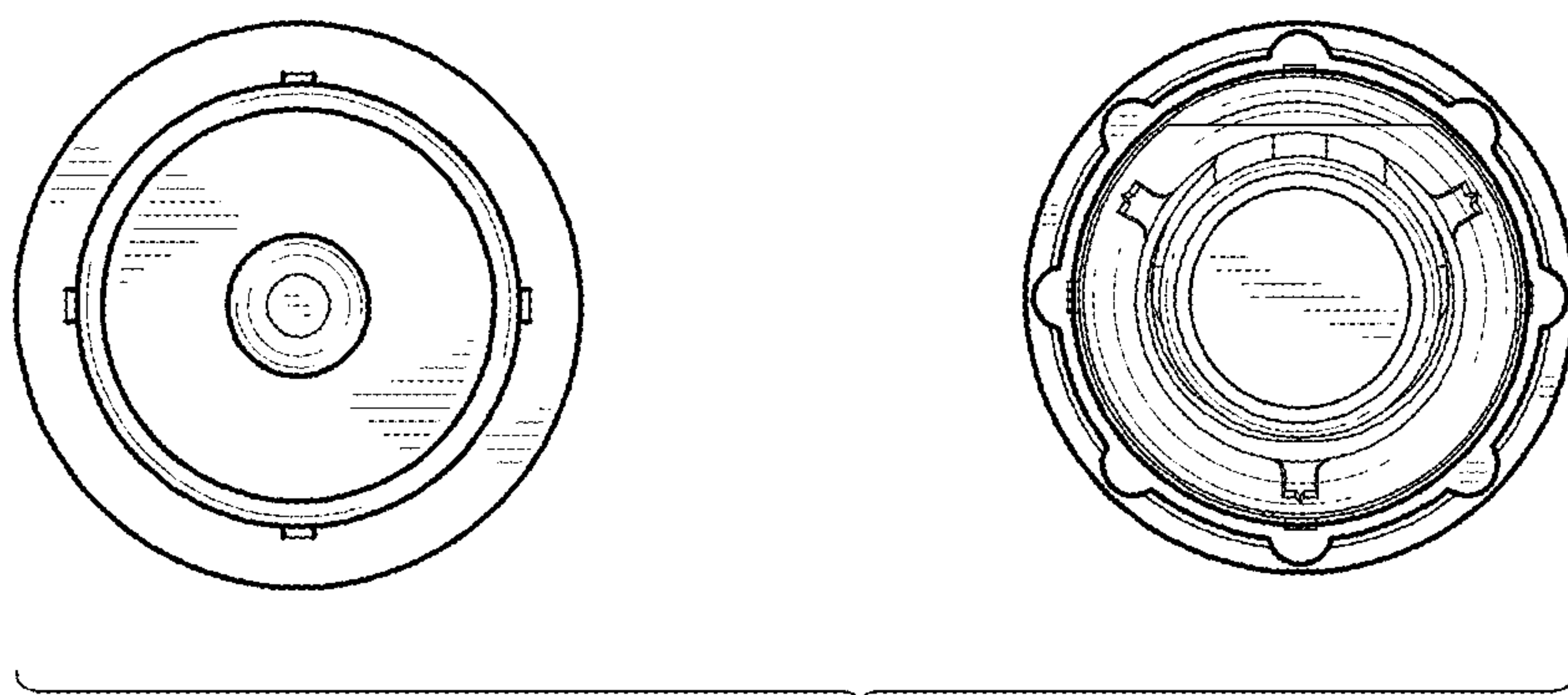


FIG. 14