



US00D804651S

(12) **United States Design Patent**
Loonan

(10) **Patent No.:** **US D804,651 S**

(45) **Date of Patent:** **** Dec. 5, 2017**

(54) **SYRINGE**

(71) Applicant: **Howard Loonan**, Hillsborough, NJ
(US)

(72) Inventor: **Howard Loonan**, Hillsborough, NJ
(US)

(**) Term: **15 Years**

(21) Appl. No.: **29/590,372**

(22) Filed: **Jan. 10, 2017**

(51) **LOC (10) Cl.** **24-02**

(52) **U.S. Cl.**
USPC **D24/114**

(58) **Field of Classification Search**
USPC D24/112-114, 108, 133, 130, 127, 186;
606/181, 185; 604/264, 272, 187, 181,
604/184, 227
CPC A61M 5/178; A61M 3/00; A61M 5/20;
A61M 5/31; A61M 5/3146; A61M
5/3129; A61M 5/3148; A61M 5/315
See application file for complete search history.

(56) **References Cited**

U.S. PATENT DOCUMENTS

4,333,458 A	6/1982	Margulies et al.	
4,386,606 A	6/1983	Tretinyak et al.	
4,610,672 A	9/1986	Ewalt et al.	
4,711,637 A	12/1987	Leigh et al.	
4,766,906 A	8/1988	Wang	
5,215,536 A	6/1993	Lampropoulos et al.	
5,685,864 A	11/1997	Shanley et al.	
5,709,253 A	1/1998	Maerzke	
5,735,825 A	4/1998	Stevens et al.	
5,985,962 A *	11/1999	Knors C08L 23/0815 524/101
D461,243 S *	8/2002	Niedospial, Jr. D24/130
D489,819 S *	5/2004	Ford D24/112
6,991,618 B2	1/2006	Lau et al.	
D543,278 S *	5/2007	Numata D24/114

D552,773 S *	10/2007	Greenberg D24/130
7,470,259 B2	12/2008	Hoyle, Jr.	
7,704,426 B2 *	4/2010	Earhart B29C 59/007 264/230
7,740,610 B2	6/2010	Moh et al.	
D635,249 S *	3/2011	Becker D24/114
D650,903 S *	12/2011	Kosinski D24/130
8,075,523 B2 *	12/2011	Wayman A61M 5/5066 604/110

(Continued)

FOREIGN PATENT DOCUMENTS

CN	1217942	6/1999
CN	2325032	6/1999

(Continued)

Primary Examiner — David Muller

(74) *Attorney, Agent, or Firm* — Gearhart Law LLC

(57) **CLAIM**

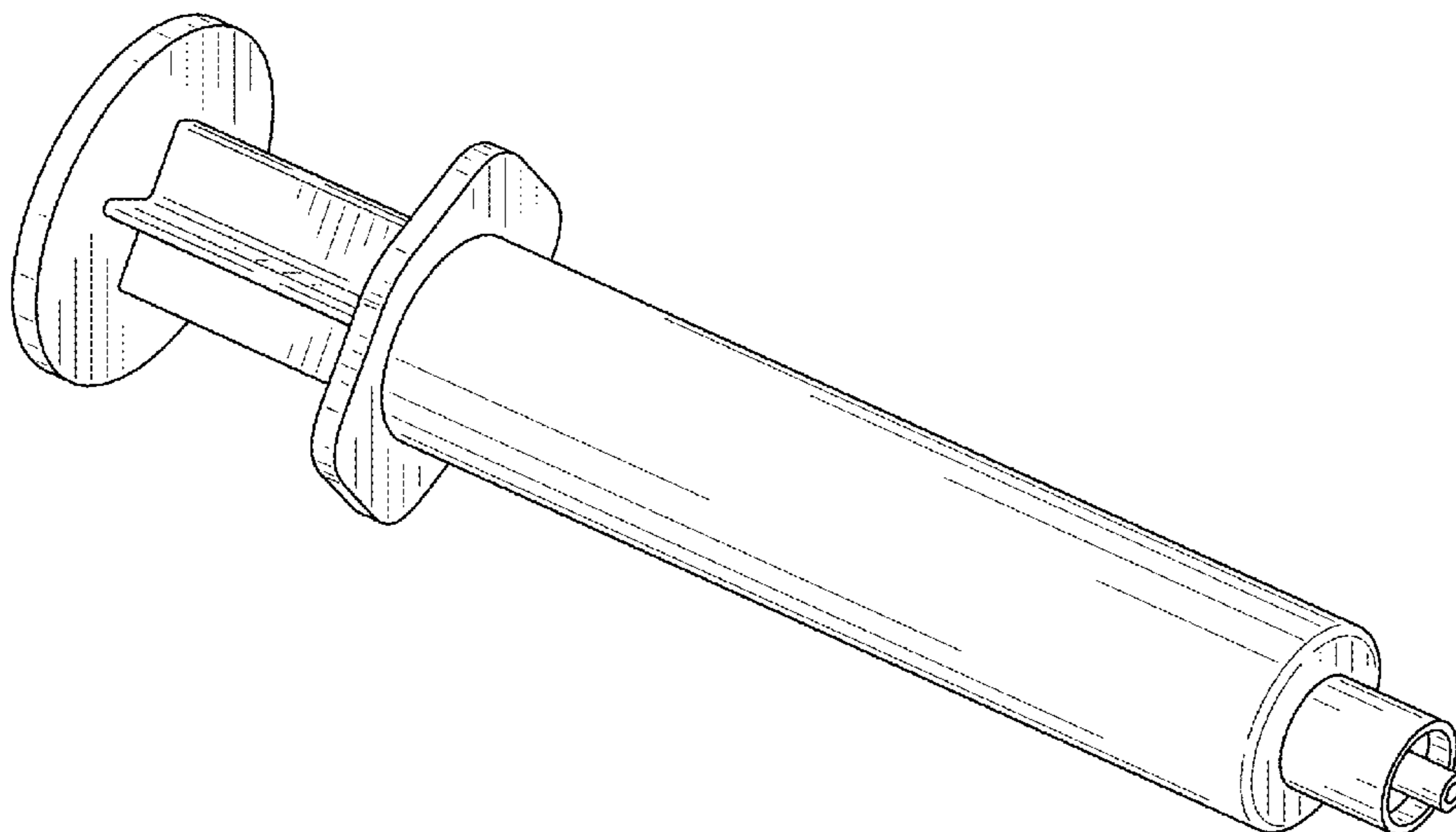
The ornamental design for a syringe, as shown and described.

DESCRIPTION

FIG. 1 is a perspective view of the syringe;
FIG. 2 is a rear elevation view thereof;
FIG. 3 is a front elevation view thereof;
FIG. 4 is a right side elevation view thereof;
FIG. 5 is a left side elevation view thereof;
FIG. 6 is a top plan view thereof;
FIG. 7 is a bottom plan view thereof; and,
FIG. 8 is an exploded parts view of FIG. 1 showing the barrel and the plunger of the syringe. The plunger, as shown, is symmetrical such that all other views of the plunger not explicitly shown in the drawings are identical to that shown in FIG. 8.

The dash-dot lines shown in FIG. 8 are used to illustrate the relationship between the barrel and plunger of the syringe and form no part of the claimed design.

1 Claim, 4 Drawing Sheets



(56)

References Cited

FOREIGN PATENT DOCUMENTS

U.S. PATENT DOCUMENTS						
D657,462	S *	4/2012	Siroky D24/130	CN	201290922	8/2009
8,353,878	B2	1/2013	Moller et al.	CN	201505349	6/2010
8,469,233	B2	6/2013	Lutz et al.	CN	201840707	5/2011
D694,638	S *	12/2013	Baker D24/114	CN	202961309	6/2013
D726,305	S *	4/2015	Furukawa D24/114	CN	203196037	9/2013
9,186,463	B2	11/2015	Hoyle, Jr.	CN	204910250	12/2015
9,192,727	B2	11/2015	Meller et al.	CN	105662485	6/2016
9,205,205	B2	12/2015	Burns et al.	DE	19710756	11/1997
9,265,880	B1	2/2016	Wong et al.	EP	208975	1/1987
9,333,301	B2	5/2016	Alheidt et al.	EP	1973588	11/2012
9,352,093	B2	5/2016	Crapser	FR	2536285	5/1984
D773,042	S *	11/2016	Hwang D24/130	GB	805031	11/1958
2003/0105433	A1	6/2003	Ruben	GB	1360067	7/1974
2003/0195477	A1	10/2003	Ruben	JP	09512727	12/1997
2011/0087173	A1	4/2011	Sibbitt, Jr. et al.	JP	2001333980	12/2001
2012/0316509	A1	12/2012	Kayser et al.	KR	1020160067391	6/2016
2015/0105754	A1	4/2015	Roche et al.	WO	9610430	4/1996
				WO	2014061014	4/2014
				WO	2015045180	4/2015

* cited by examiner

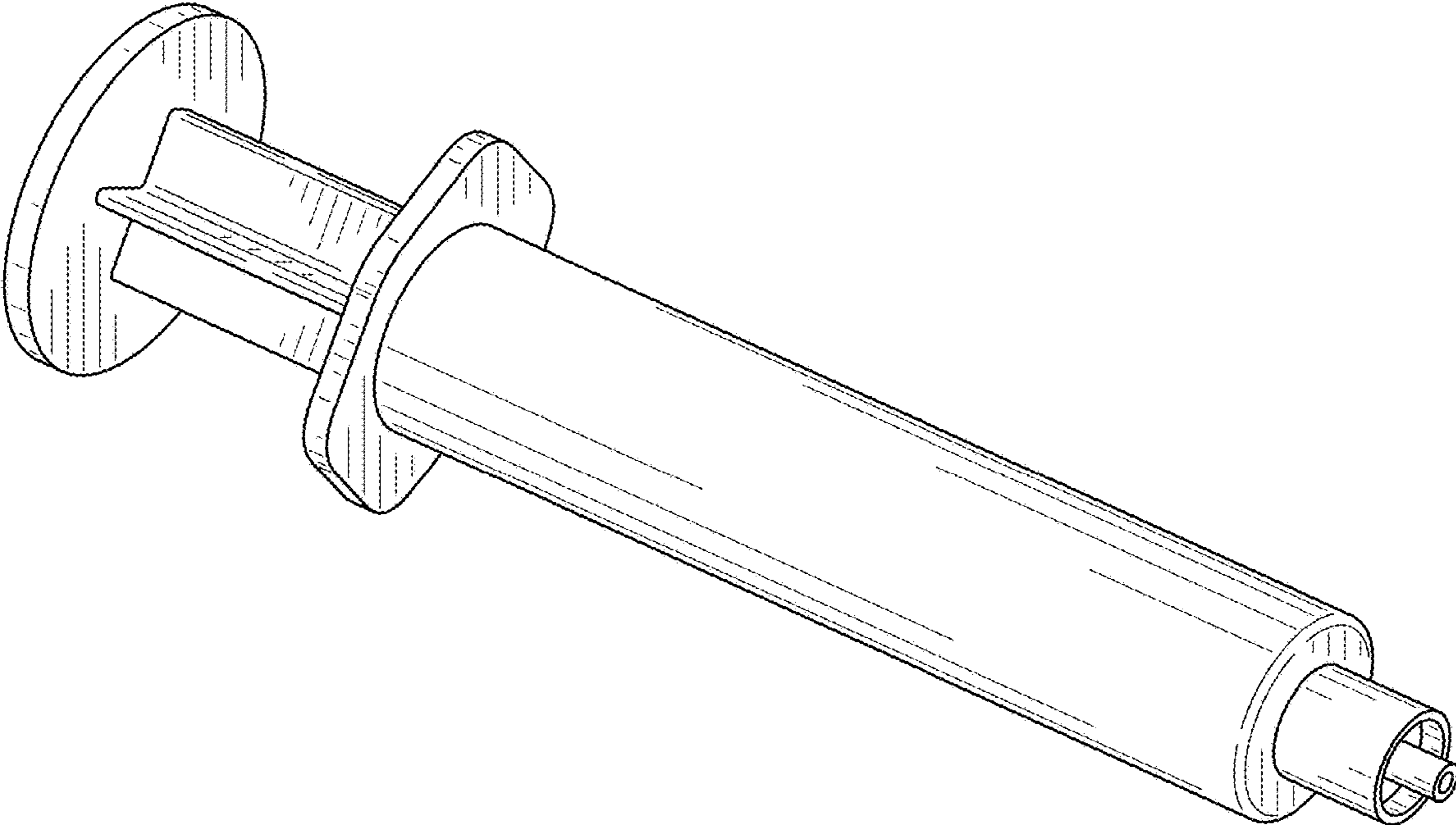


FIG. 1

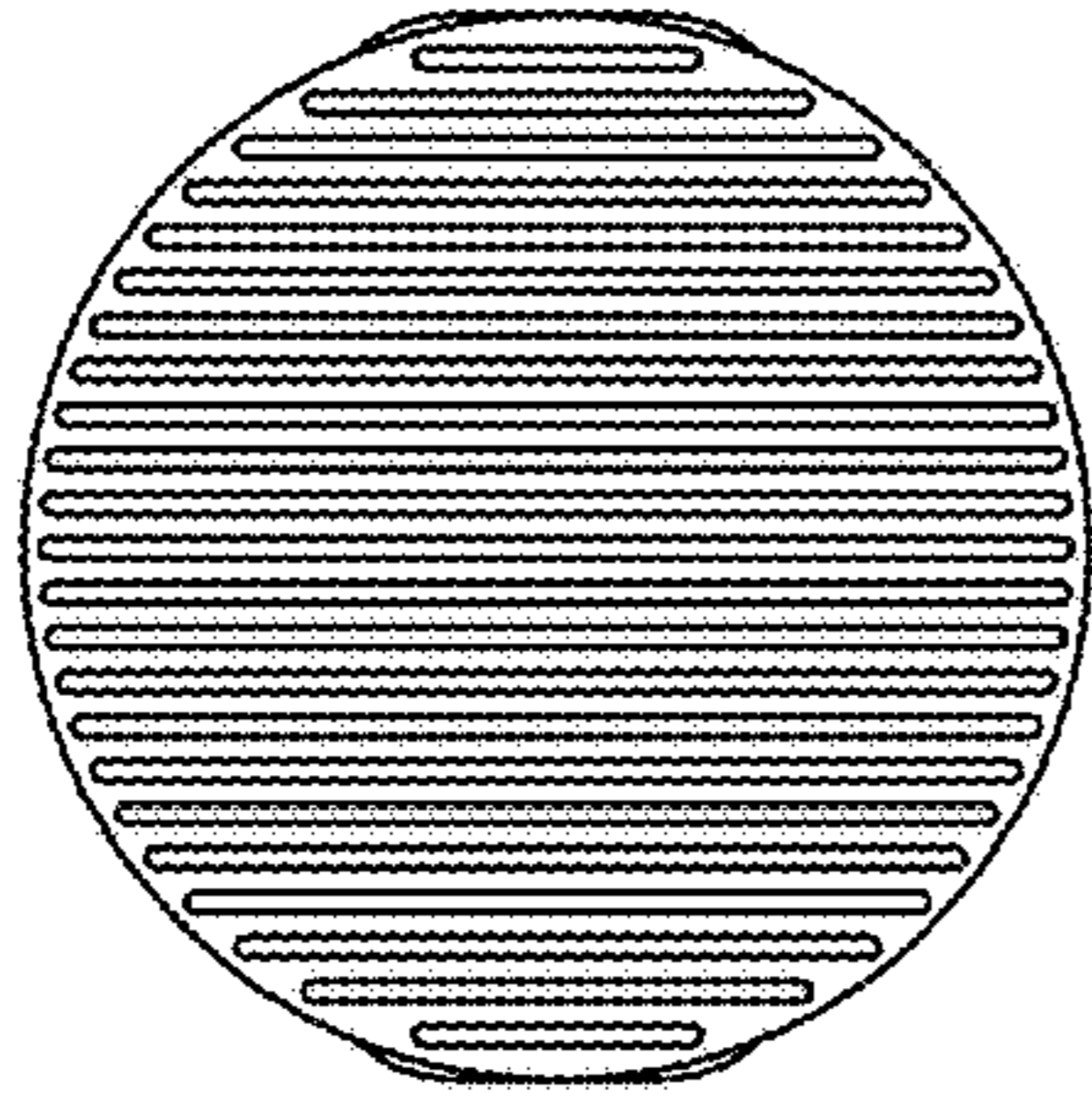


FIG. 2

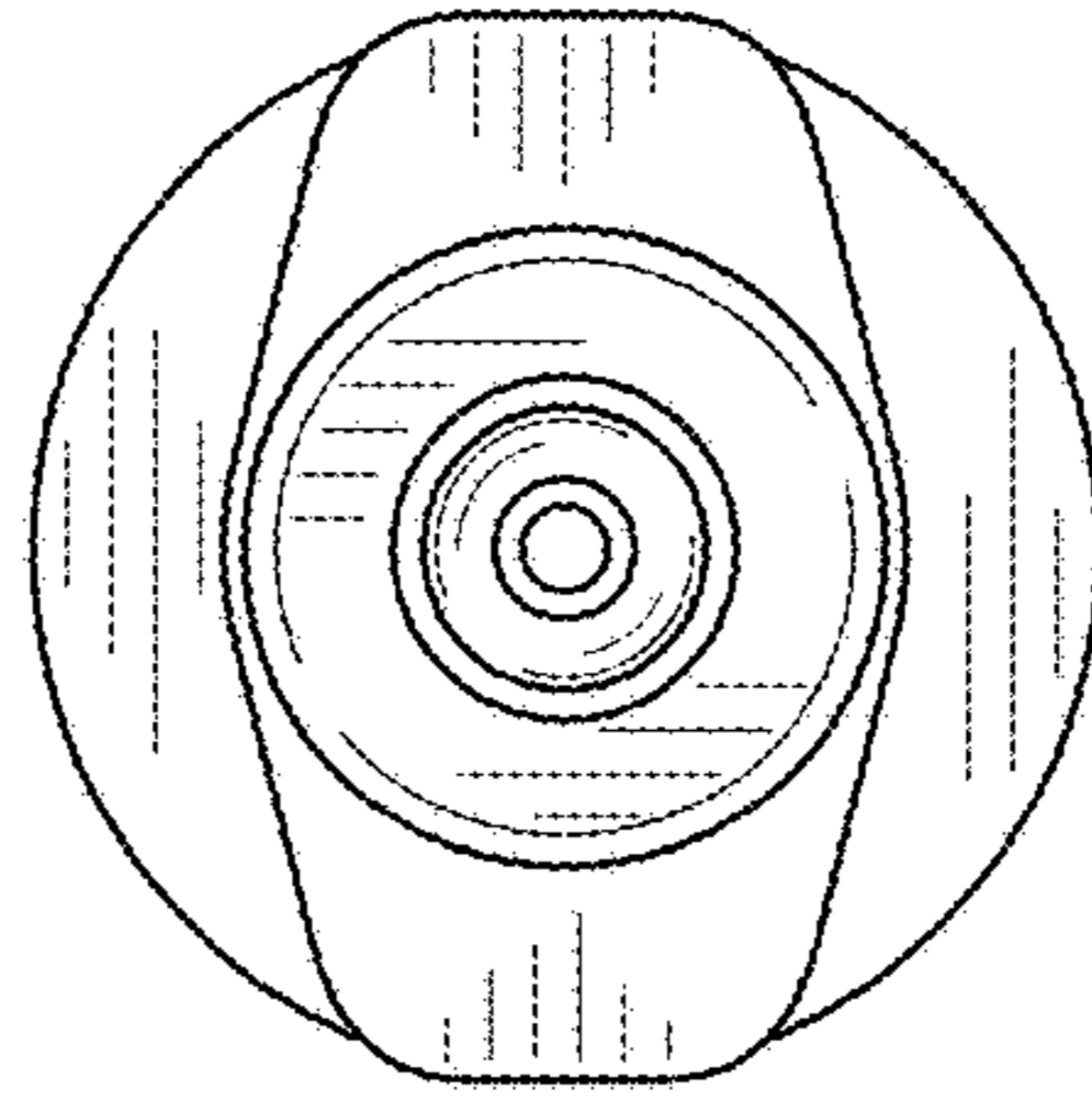


FIG. 3

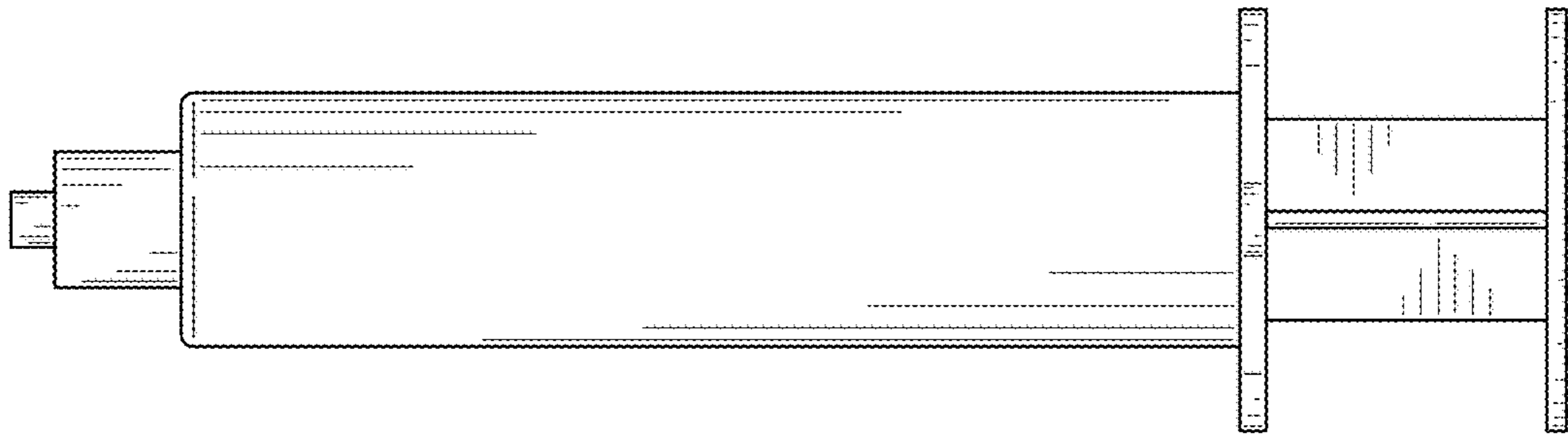


FIG. 4

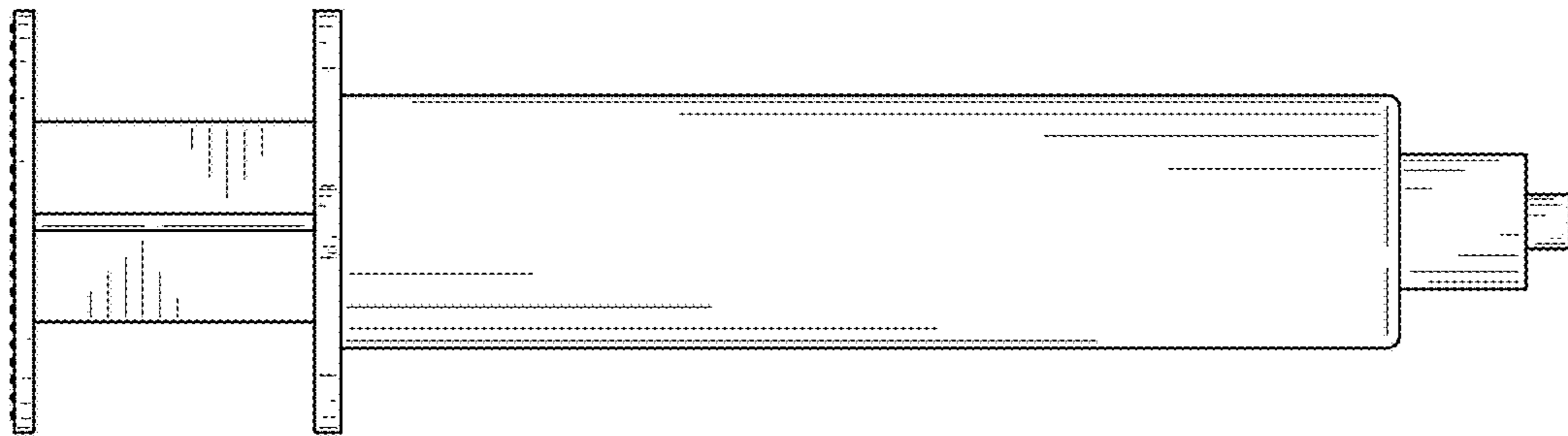


FIG. 5

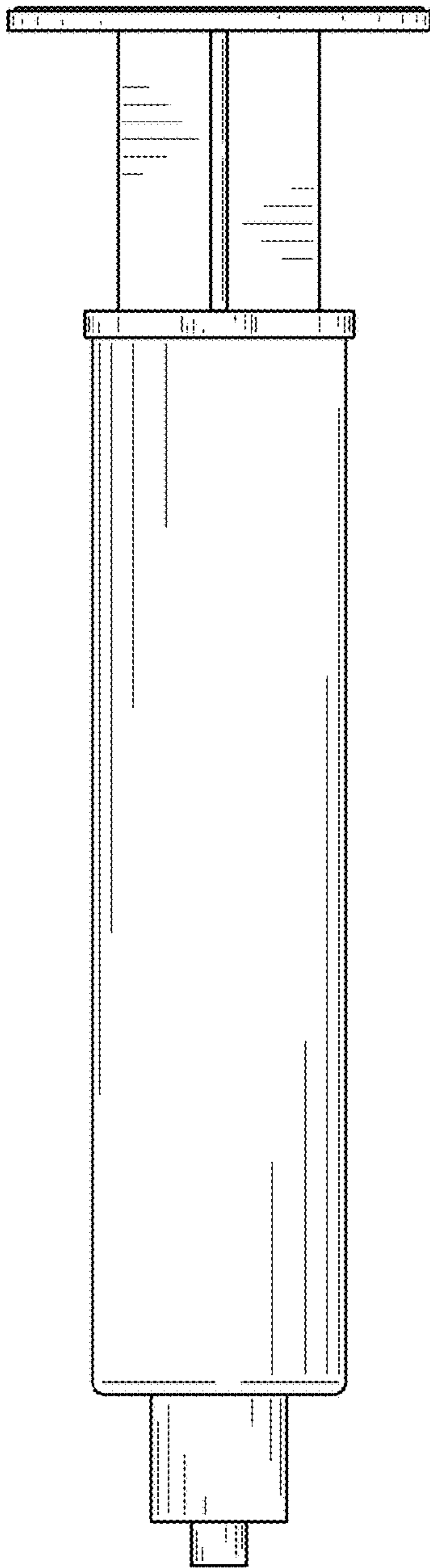


FIG. 6

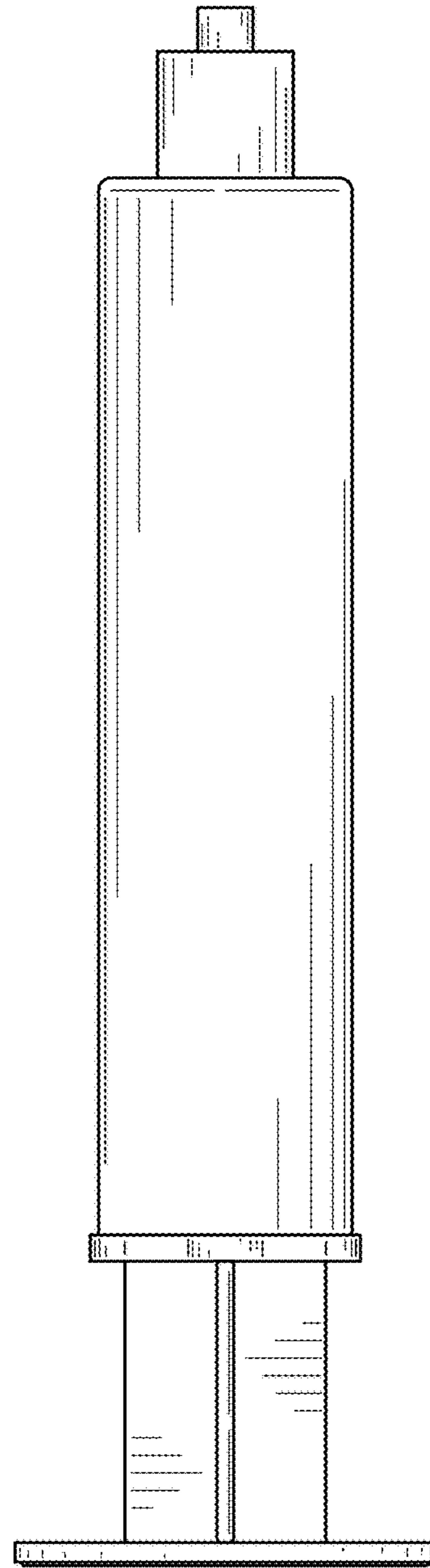


FIG. 7

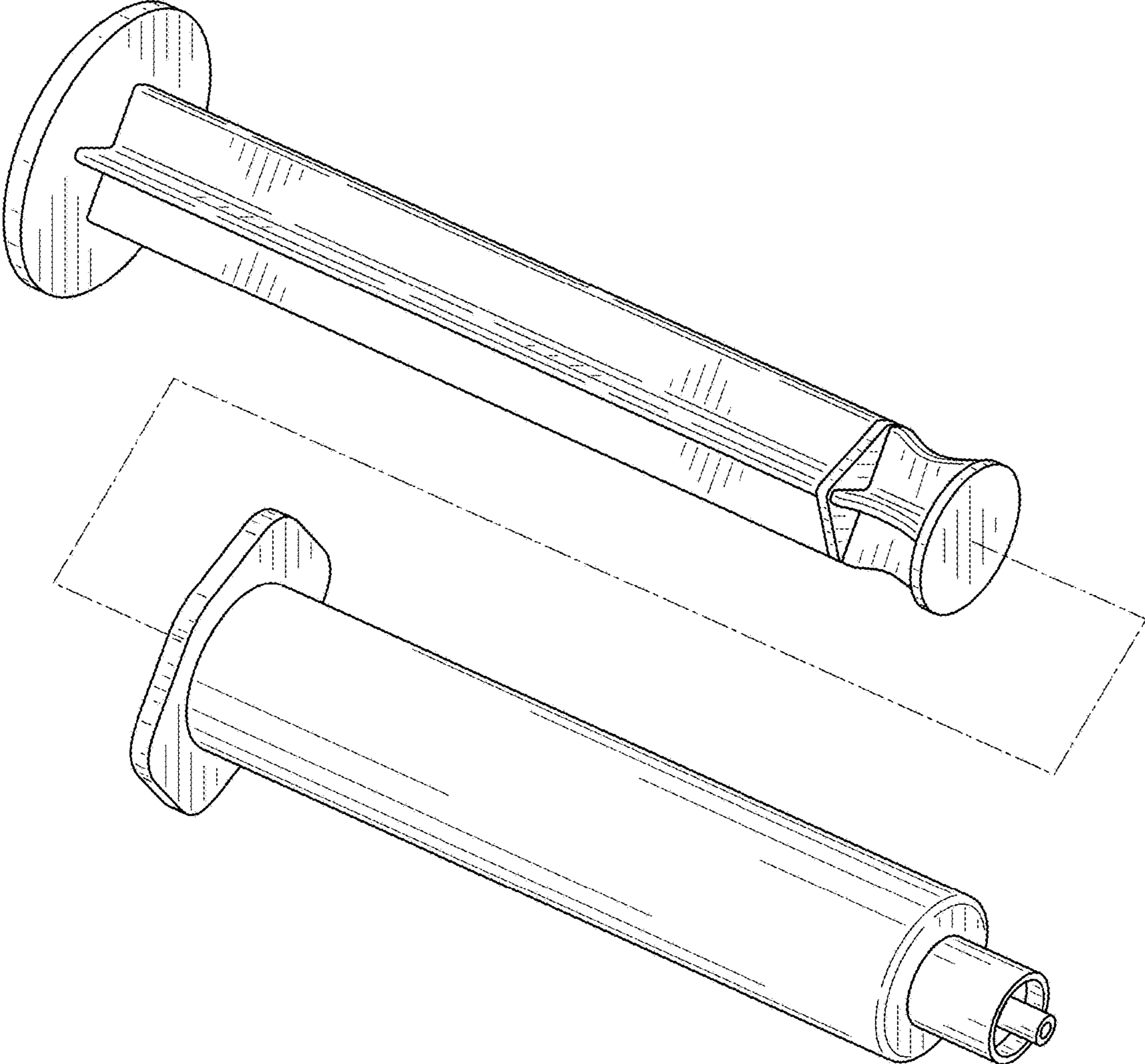


FIG. 8