



US00D804646S

(12) **United States Design Patent**
Schulzman

(10) **Patent No.:** **US D804,646 S**
(45) **Date of Patent:** **** Dec. 5, 2017**

(54) **CEILING FAN HOUSING WITH LIGHT FIXTURE**

(71) Applicant: **Minka Lighting, Inc.**, Corona, CA (US)

(72) Inventor: **Kurt Schulzman**, Long Beach, CA (US)

(73) Assignee: **Minka Lighting, Inc.**, Corona, CA (US)

(**) Term: **15 Years**

(21) Appl. No.: **29/557,824**

(22) Filed: **Mar. 11, 2016**

Related U.S. Application Data

(63) Continuation-in-part of application No. 29/511,471, filed on Dec. 10, 2014, now abandoned.

(51) **LOC (10) Cl.** **23-04**

(52) **U.S. Cl.**
USPC **D23/411**; D26/59

(58) **Field of Classification Search**
USPC D23/377, 379, 385, 387, 411-414, 499;
416/1, 5, 170 R, 214 R, 184, 206, 207,
416/210 R, 220 R, 244 R, 248; 392/364;
D26/59, 51, 72, 73, 80-86, 88, 90
CPC F04D 25/088; F04D 29/601; F04D 29/322;
F04D 29/324; F21V 33/0096
See application file for complete search history.

(56) **References Cited**

U.S. PATENT DOCUMENTS

D329,087 S	9/1992	Markwardt
D372,080 S	7/1996	Dolan
D389,908 S	1/1998	Dolan
5,951,253 A	9/1999	Gajewski
6,171,060 B1	1/2001	Gajewski

D453,216 S *	1/2002	Gajewski	D23/377
D476,728 S	7/2003	Gajewski		
D477,068 S	7/2003	Hsieh		
D512,138 S	11/2005	Clymer		
7,210,910 B1	5/2007	Parker et al.		
D583,923 S	12/2008	Bucher et al.		
D596,733 S	7/2009	Kihara		
D596,734 S	7/2009	Kihara		
D599,461 S	9/2009	Ertze		

(Continued)

Primary Examiner — Susan Bennett Hattan

Assistant Examiner — Marie D. Fast Horse

(74) *Attorney, Agent, or Firm* — Baker & McKenzie LLP

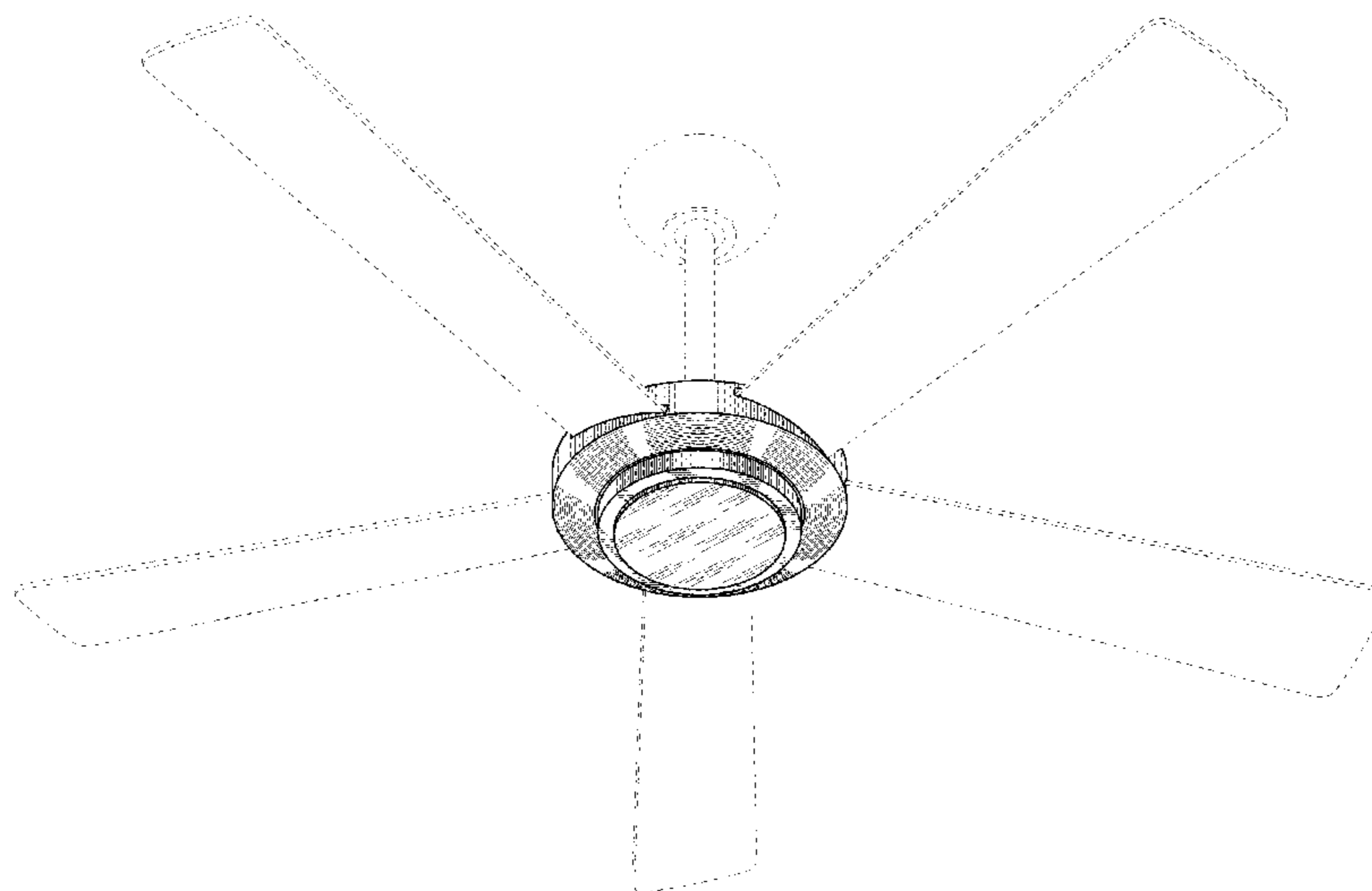
(57) **CLAIM**

The ornamental design for a ceiling fan housing with light fixture, as shown and described.

DESCRIPTION

FIG. 1 is a perspective view of a ceiling fan housing with light fixture in accordance with my design;
 FIG. 2 is a top plan view of the ceiling fan housing with light fixture in accordance with my design;
 FIG. 3 is a bottom plan view of the ceiling fan housing with light fixture in accordance with my design;
 FIG. 4 is a front elevation view of the ceiling fan housing with light fixture in accordance with my design;
 FIG. 5 is a rear elevation view of the ceiling fan housing with light fixture in accordance with my design;
 FIG. 6 is a left-side elevation view of the ceiling fan housing with light fixture in accordance with my design; and,
 FIG. 7 is a right-side elevation view of the ceiling fan housing with light fixture in accordance with my design.
 The broken lines showing the fan blades, down rod, and ceiling mount depict environmental subject matter only and form no part of the claimed design.
 The two large broken line circles in FIG. 2 depict a part of the ceiling fan housing with light fixture that forms no part of the claimed design.

1 Claim, 5 Drawing Sheets



(56)

References Cited

U.S. PATENT DOCUMENTS

D603,955 S 11/2009 Patton
D621,969 S * 8/2010 Yamamoto D26/2
D621,971 S * 8/2010 Yamamoto D26/2
D627,053 S 11/2010 Pan
D628,688 S 12/2010 Pan
D628,722 S * 12/2010 Yamamoto D26/2
D632,384 S * 2/2011 Pan D23/411
D647,227 S 10/2011 Kaule
D652,537 S * 1/2012 Wada D26/2
D663,829 S 7/2012 Allen et al.
D705,970 S 5/2014 Ertze
D706,970 S 6/2014 Wang
D707,336 S 6/2014 Pan
D714,471 S 9/2014 Nojiri
D715,917 S 10/2014 Hidalgo
D717,935 S 11/2014 Strecker et al.
D719,252 S 12/2014 Allen et al.
D745,956 S 12/2015 Ertze
D756,501 S 5/2016 Park
D771,795 S * 11/2016 Wang D23/411
D771,860 S * 11/2016 Weiss D26/110
D773,634 S * 12/2016 Wang D23/385
2010/0314941 A1 12/2010 Schulzman

* cited by examiner

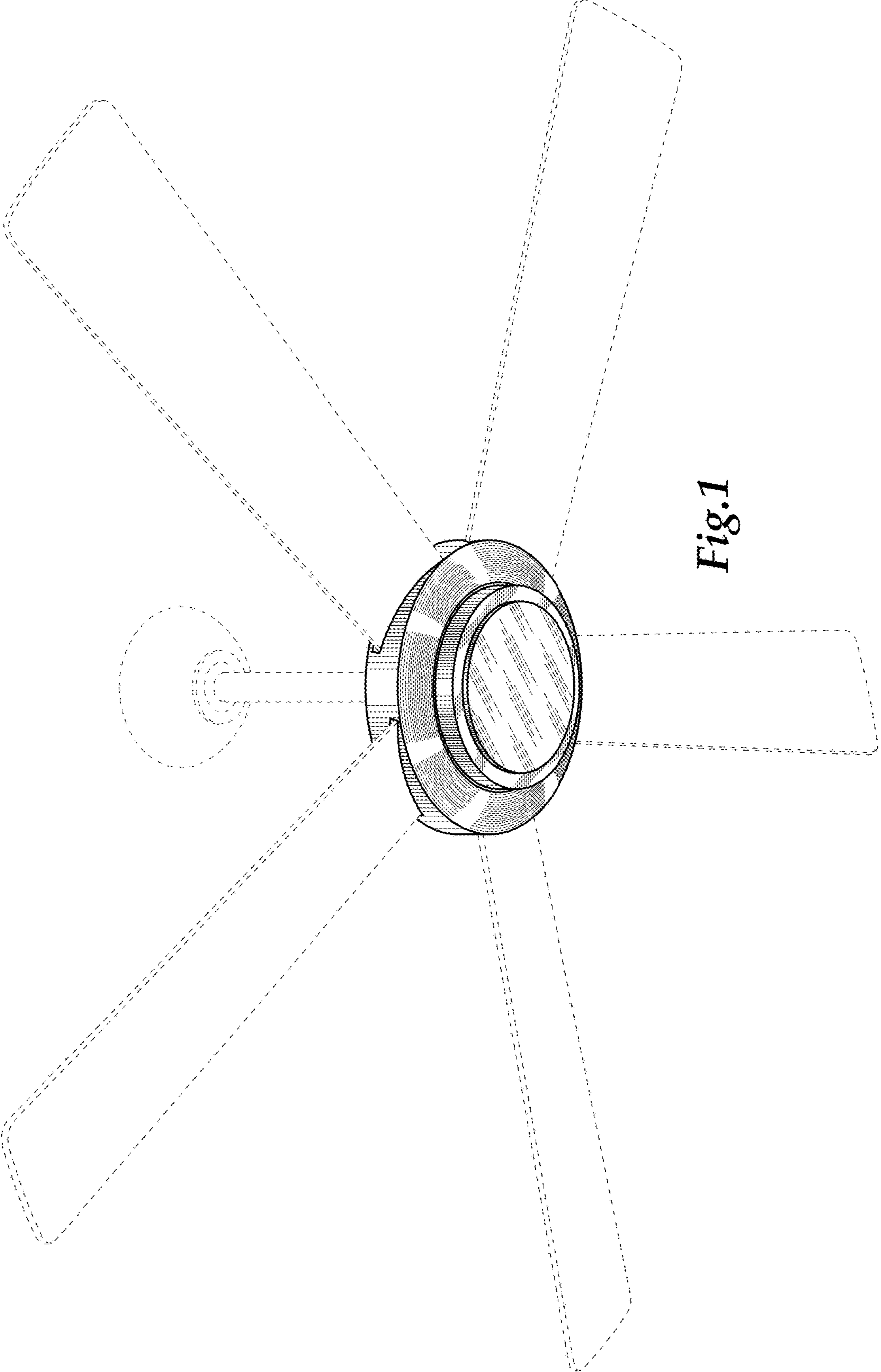


Fig. 1

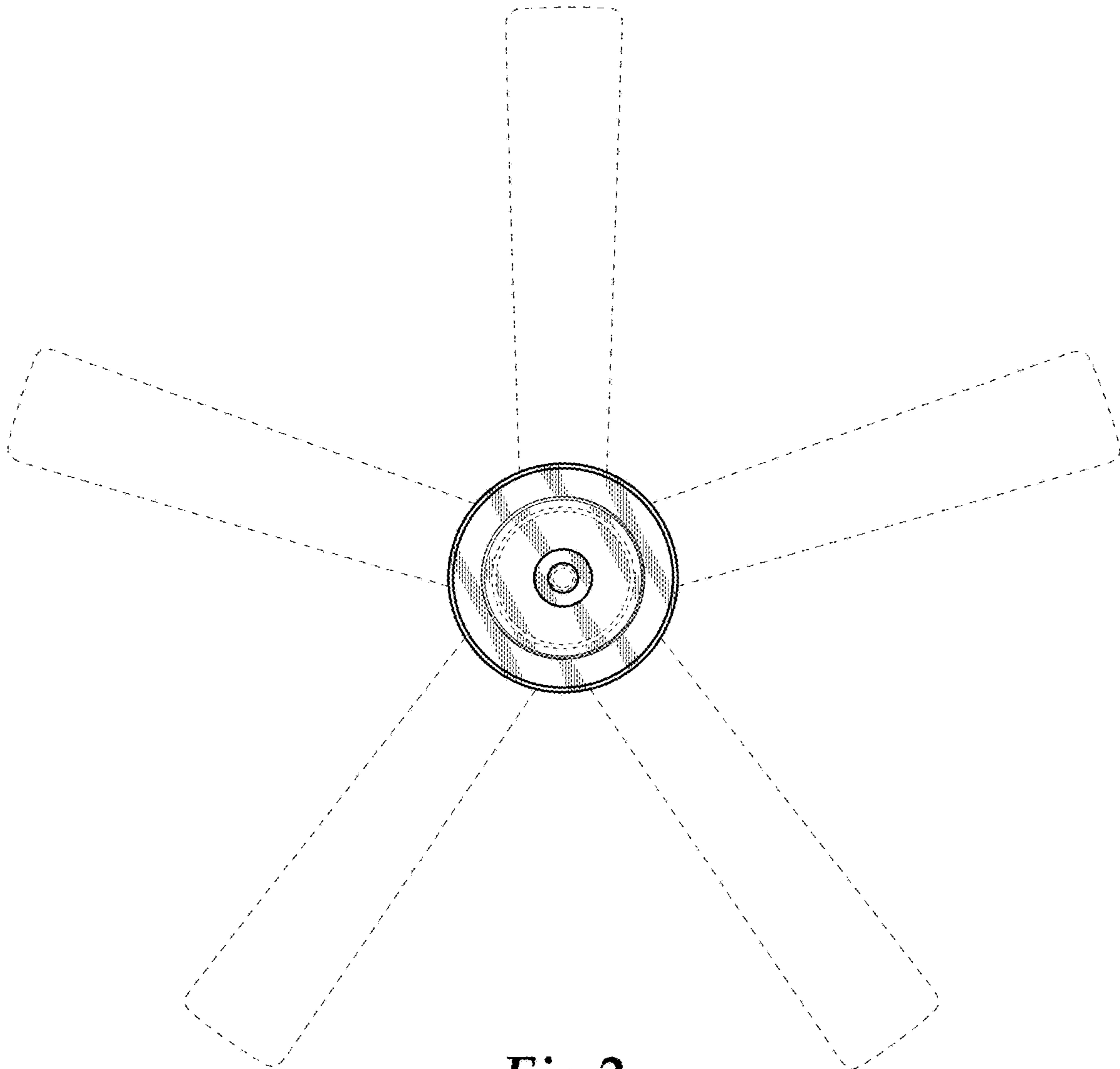


Fig. 2

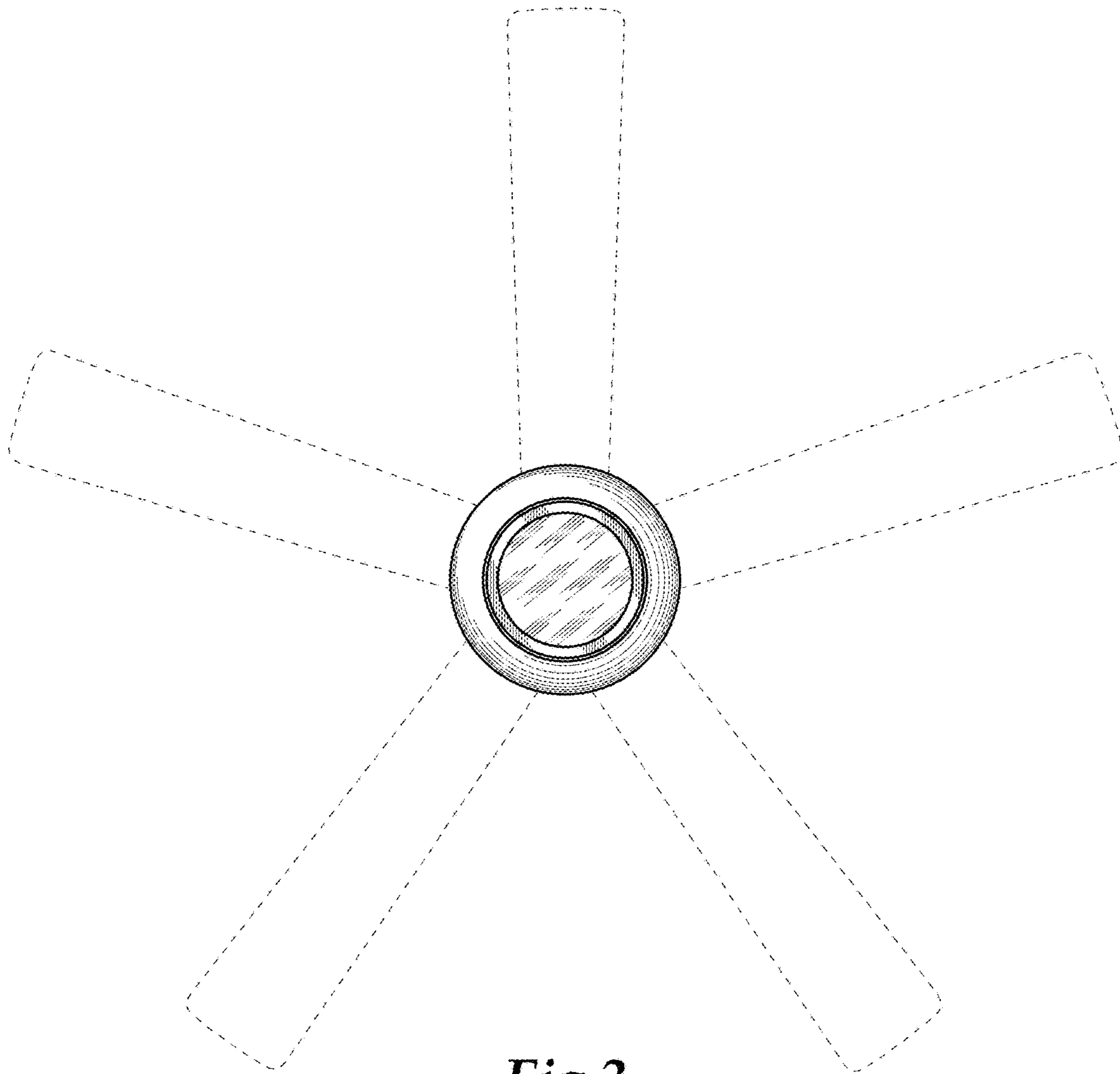
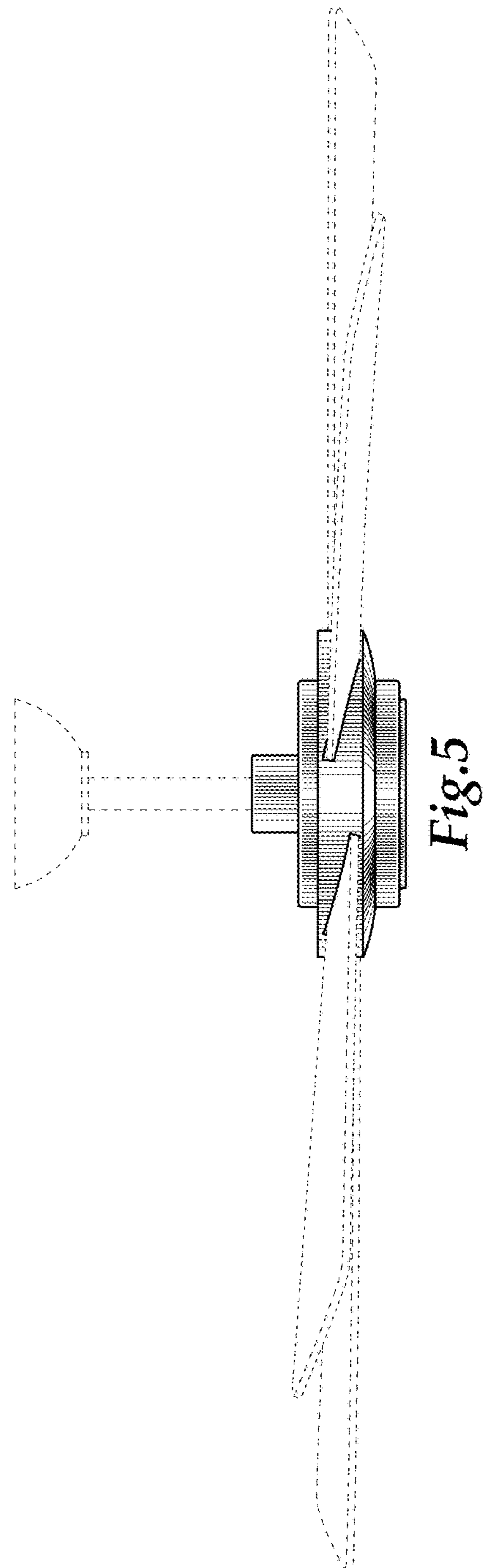
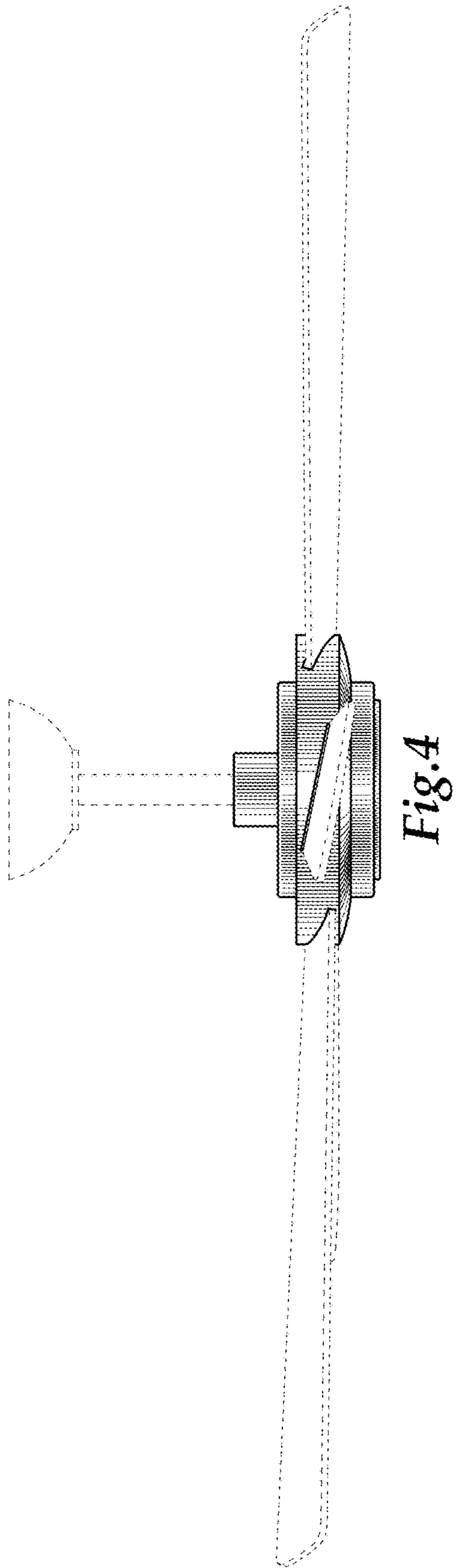


Fig.3



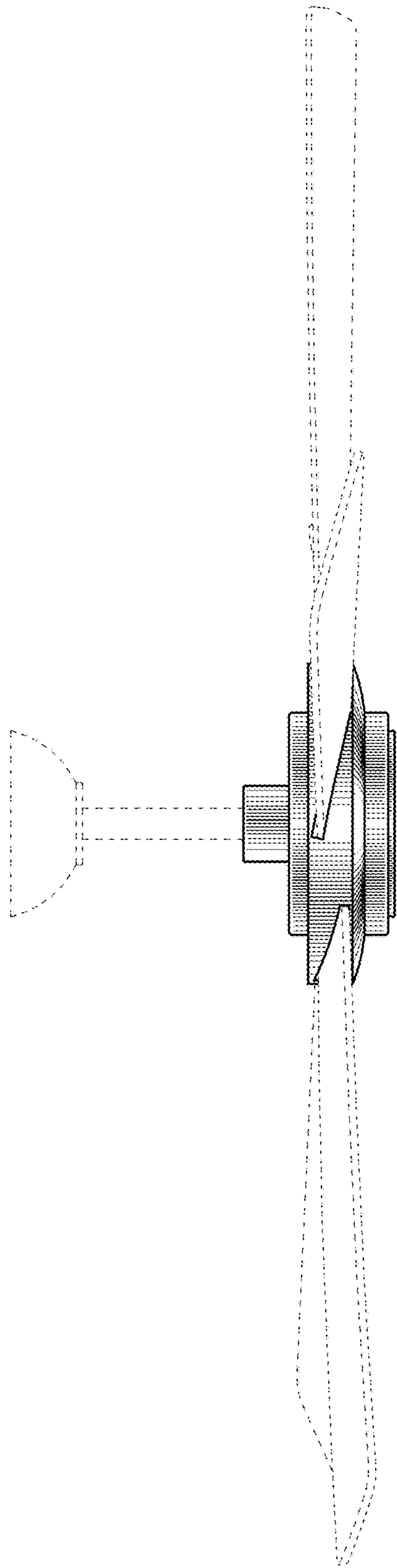


Fig. 6

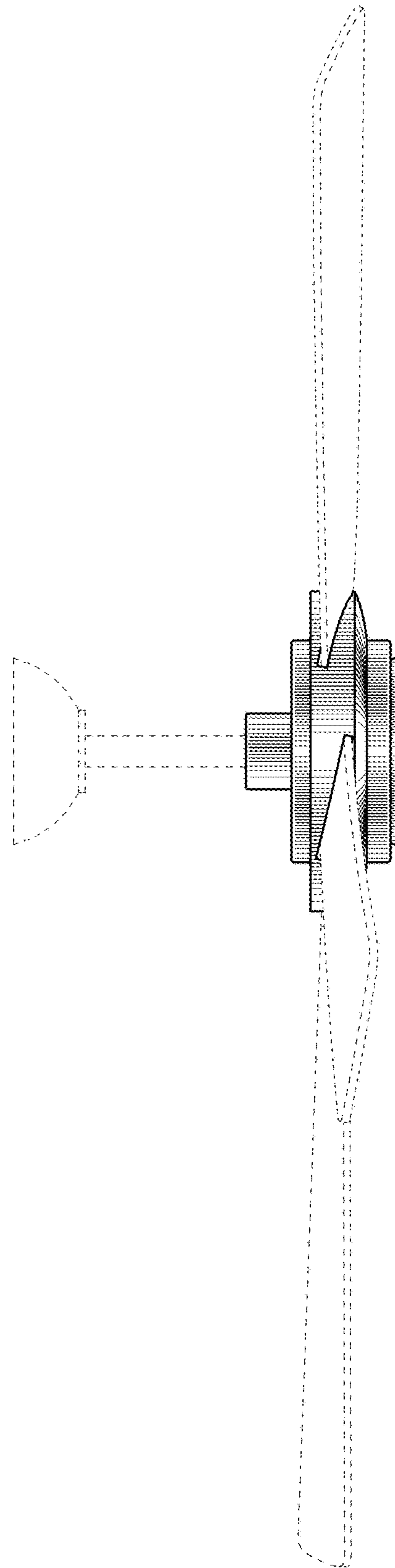


Fig. 7