



US00D804645S

(12) **United States Design Patent** (10) **Patent No.:** **US D804,645 S**
Habig et al. (45) **Date of Patent:** **** Dec. 5, 2017**

(54) **CEILING FAN CAGE**
(71) Applicant: **HUNTER FAN COMPANY**,
Memphis, TN (US)
(72) Inventors: **Dana Vajen Habig**, Cincinnati, OH
(US); **Claire Bernice McRoberts**,
Memphis, TN (US)
(73) Assignee: **Hunter Fan Company**, Memphis, TN
(US)
(**) Term: **15 Years**
(21) Appl. No.: **29/557,344**
(22) Filed: **Mar. 8, 2016**
(51) **LOC (10) Cl.** **23-03**
(52) **U.S. Cl.**
USPC **D23/411**; D23/377; D23/414
(58) **Field of Classification Search**
USPC D23/355, 370-376, 378, 380-384,
D23/386-387, 377, 379, 385, 411-414;
D26/59
CPC F04D 25/088; F21V 33/0096
See application file for complete search history.

D453,960 S * 2/2002 Shelby D23/411
D482,112 S 11/2003 Miller
D579,102 S 10/2008 Leung et al.
D596,737 S * 7/2009 Pan D23/411
D599,471 S * 9/2009 Borovicka D23/412
D605,333 S * 12/2009 Miranda D26/88
D619,238 S * 7/2010 Hidalgo D23/377
D621,087 S * 8/2010 Nagane D26/86
(Continued)

OTHER PUBLICATIONS

Hunter 59255 30" Vault Ceiling Fan with Handheld Remote, date first available Feb. 29, 2016, amazon.com, site visited Aug. 30, 2017, Copyright © 1996-2017, https://www.amazon.com/Hunter-59255-Ceiling-Handheld-Remote/dp/B01CDG0J8Q/ref=sr_1_1?ie=UTF8&qid=1504124734&sr=8-1&keywords=hunter+ceiling+fan+vault.*
Fonderie 16" Wide Rusty Bronze Foyer Pendant, date first available Apr. 20, 2017, amazon.com, site visited Sep. 1, 2017, Copyright © 1996-2017, https://www.amazon.com/Fonderie-Rusty-Bronze-Foyer-Pendant/dp/B01H5OE110/ref=sr_1_21?ie=UTF8&qid=1504299171&sr=8-21&keywords=cage+drum+fixture.*
(Continued)

Primary Examiner — Cathron C Brooks
Assistant Examiner — Sharon S Oum
(74) *Attorney, Agent, or Firm* — McGarry Bair PC

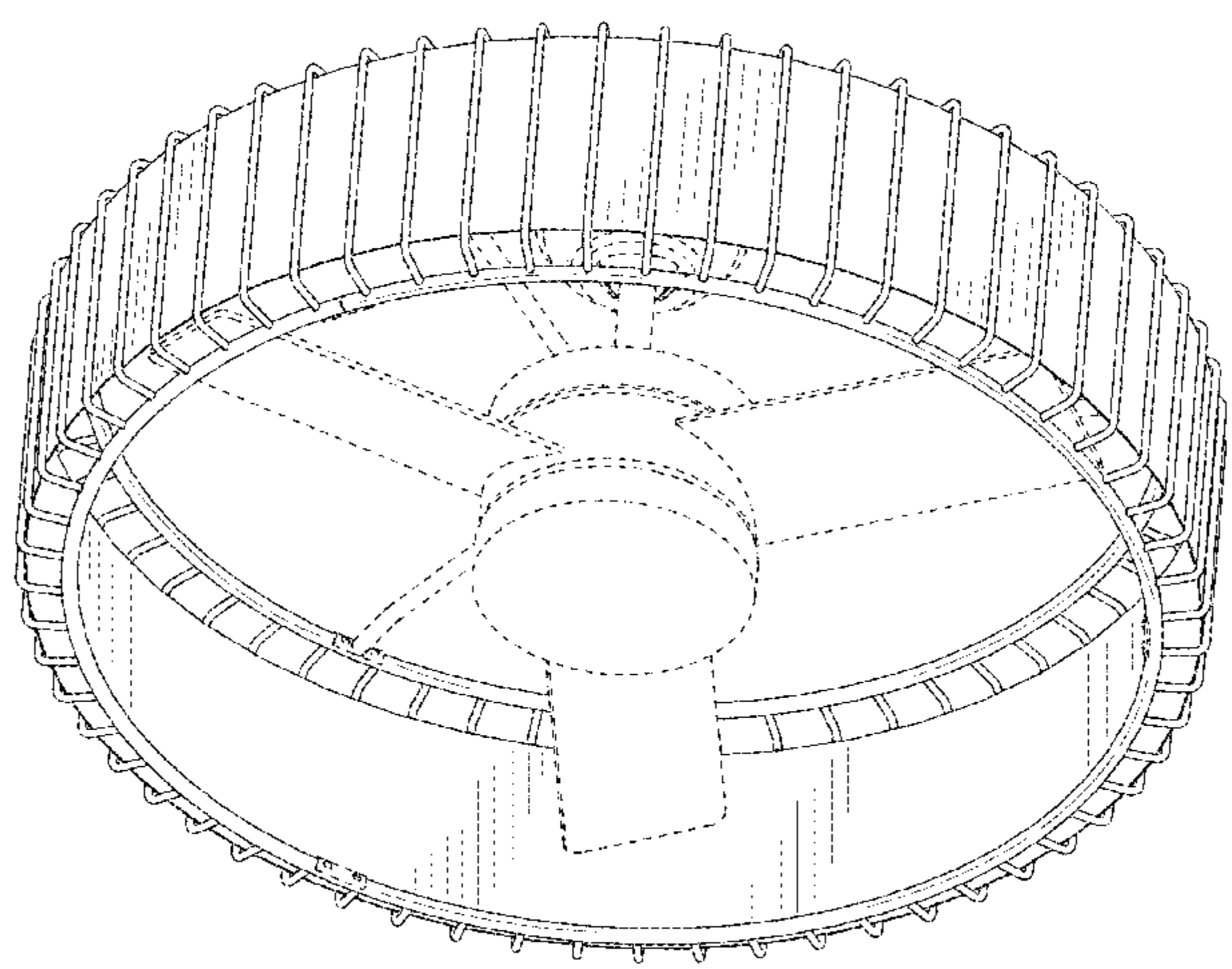
(57) **CLAIM**
The ornamental design for a ceiling fan cage, as shown and described.

DESCRIPTION

FIG. 1 is a top perspective view of a ceiling fan cage showing our new design;
FIG. 2 is a bottom perspective view of the ceiling fan cage of FIG. 1;
FIG. 3 is a top view of the ceiling fan cage of FIG. 1;
FIG. 4 is a bottom view of the ceiling fan cage of FIG. 1; and,
FIG. 5 is a side view of the ceiling fan cage of FIG. 1.
Portions of the ceiling fan cage shown in broken lines form no part of the claimed design.

1 Claim, 5 Drawing Sheets

(56) **References Cited**
U.S. PATENT DOCUMENTS
D45,313 S * 2/1914 Schoenhardt D26/88
D128,142 S * 7/1941 Moskowitz D23/382
2,259,853 A * 10/1941 Koch F04D 29/703
416/247 R
D134,758 S * 1/1943 Fukal D23/377
D187,699 S * 4/1960 van Rijn D23/379
3,223,828 A * 12/1965 Mast F24H 3/0411
165/125
4,064,427 A * 12/1977 Hansen F21S 8/065
362/96
4,750,863 A * 6/1988 Scoggins F04D 29/703
416/146 R
D315,404 S * 3/1991 Dufour D23/377
D374,074 S 9/1996 Chen
D438,950 S * 3/2001 Frampton D23/377
D448,841 S * 10/2001 Campbell D23/411



(56)

References Cited

U.S. PATENT DOCUMENTS

D635,237 S * 3/2011 Fizer D23/377
 D660,952 S * 5/2012 Spaggiari D23/370
 D671,633 S * 11/2012 Glasbrenner D23/385
 D671,676 S * 11/2012 Komarov D26/88
 D676,543 S * 2/2013 Hiner D23/377
 D684,307 S * 6/2013 Teller D26/118
 D686,771 S * 7/2013 Lastimosa D26/88
 D687,533 S * 8/2013 Tang D23/370
 D698,914 S * 2/2014 Love D23/377
 D698,915 S 2/2014 Christopher et al.
 D698,983 S * 2/2014 Rampolla D26/88
 D703,805 S * 4/2014 Masciarella D23/414
 D715,904 S * 10/2014 Tate D23/387
 D728,842 S * 5/2015 Arola Ferrer D26/83
 D743,522 S * 11/2015 Pan D23/411
 D771,235 S * 11/2016 Hoff D23/411
 D775,321 S * 12/2016 Haaf D23/382
 D777,312 S * 1/2017 Badarello D23/377
 D779,049 S * 2/2017 Wang D23/370
 D789,507 S * 6/2017 Badarello D23/377
 2009/0072108 A1 * 3/2009 Oleson F04D 25/088
 248/282.1
 2011/0165002 A1 * 7/2011 Noble F04D 25/088
 417/423.7
 2015/0308440 A1 * 10/2015 Yang F04D 25/088
 417/423.14
 2016/0341498 A1 * 11/2016 Lynn F28F 3/06
 2016/0363313 A1 * 12/2016 Wang F21S 8/04

OTHER PUBLICATIONS

Kendal Lighting AC17723-NI Enclave 23-Inch Ceiling Fan, date first available Jul. 29, 2011, amazon.com, site visited Sep. 1, 2017, Copyright © 1996-2017, https://www.amazon.com/Kendal-Lighting-AC17723-NI-Enclave-Integrated/dp/B007VJ1250/ref=sr_1_22?ie=UTF8&qid=1504299370&sr=8-22&keywords=cage+drum+fixture.*
 Fanimation Beckwith, date first available Jul. 12, 2013, amazon.com, site visited Sep. 1, 2017, Copyright ©1996-2017, https://www.amazon.com/Fanimation-Beckwith-Brushed-Frosted-FP7964BN/dp/B00EQ4TV6A/ref=pd_sbs_60_7?_encoding=UTF8&psc=1&refRID=Y9T28JTKTG8AQXVK2STE.*
<http://www.homedepot.com/p/Designers-Choice-Collection-Enclave-23-in-Natural-Iron-Ceiling-Fan-AC17723-NI/203023308>, Item Specification for the Designers Choice Collection Enclave Model # AC17723-NI Internet # 203023308 Enclave 23 in. Natural Iron Ceiling Fan, accessed Mar. 8, 2016.
<http://www.montecarlofans.com/33328/20-Brighton-Court—Oil-Rubbed-Bronze-5BCTR20OZ.html>, Item Specification for the Monte Carlo Brighton Court Collection Product #: 5BCTR20OZ, accessed Mar. 8, 2016.
<http://www.menards.com/main/lighting-fans/kitchen-lighting-ceiling-fans/residential-fans/turn-of-the-century-athens-21-n-new-bronze-ceiling-fan/p-2236468-c-14295.htm?tid=8790705480120437765>, Item Specification for the Turn of the century Athens 21" New Bronze Ceiling Fan Model Number: fn7045nz Menards® SKU: 3557045, accessed Mar. 8, 2016.

* cited by examiner

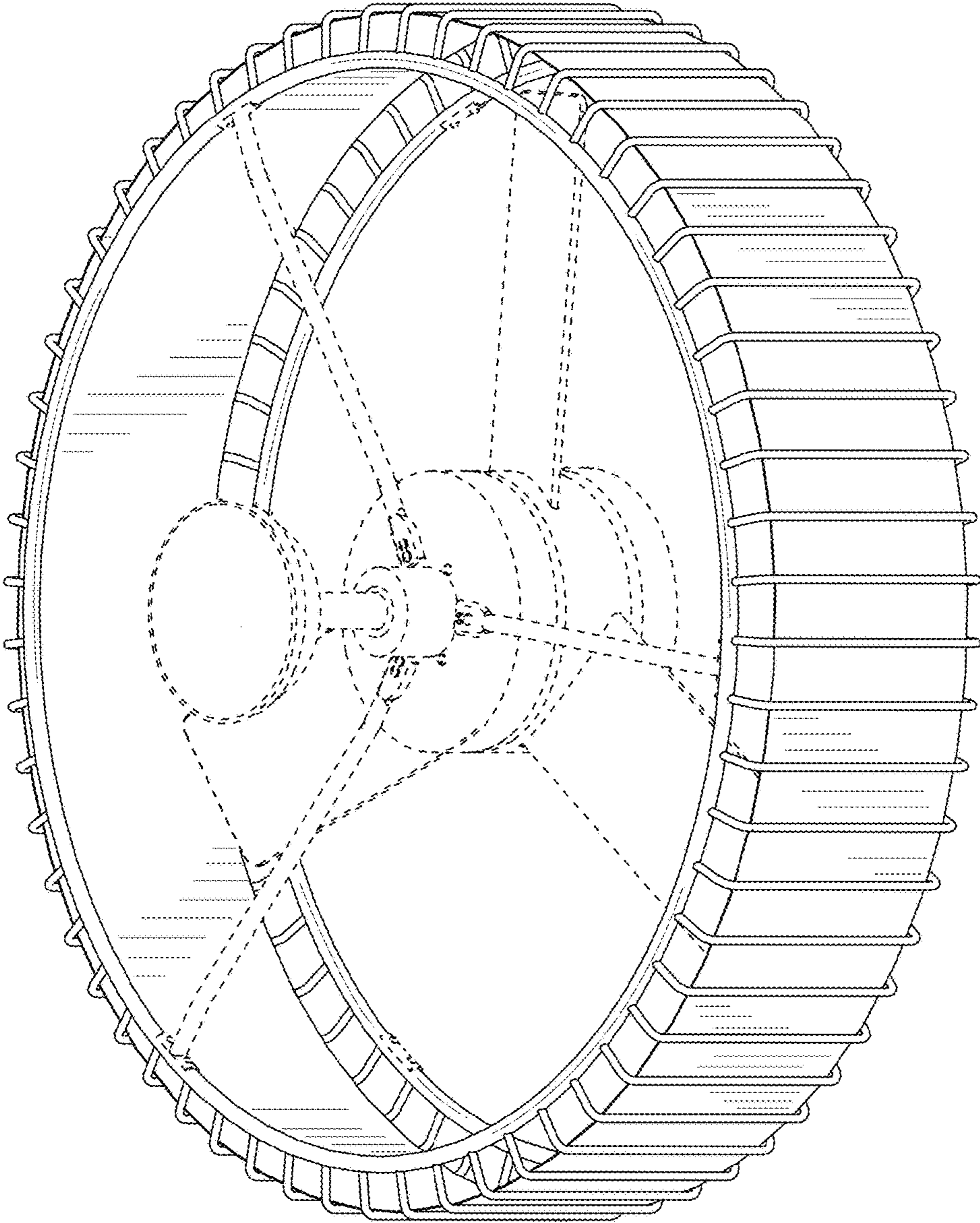


FIG. 1

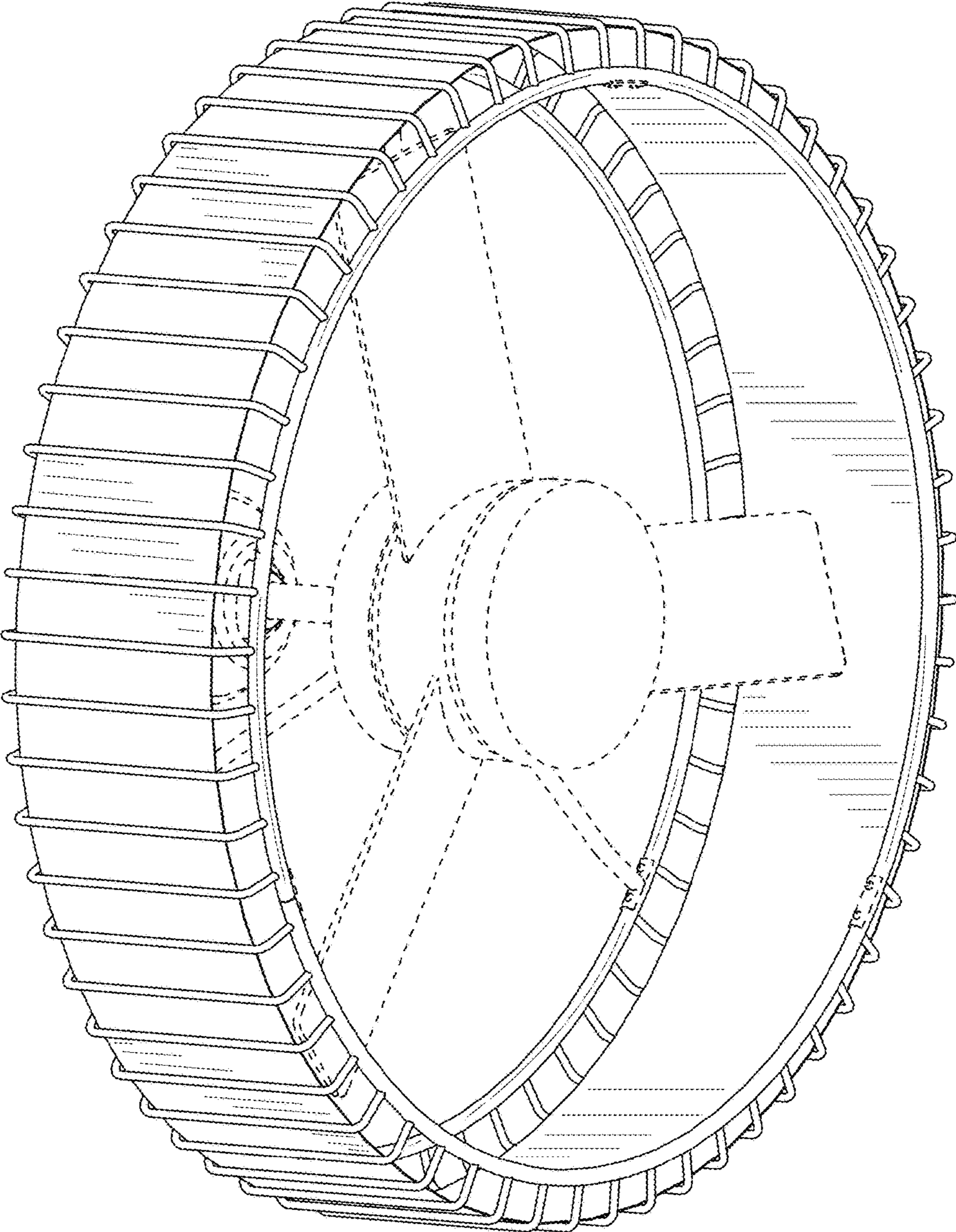


FIG. 2

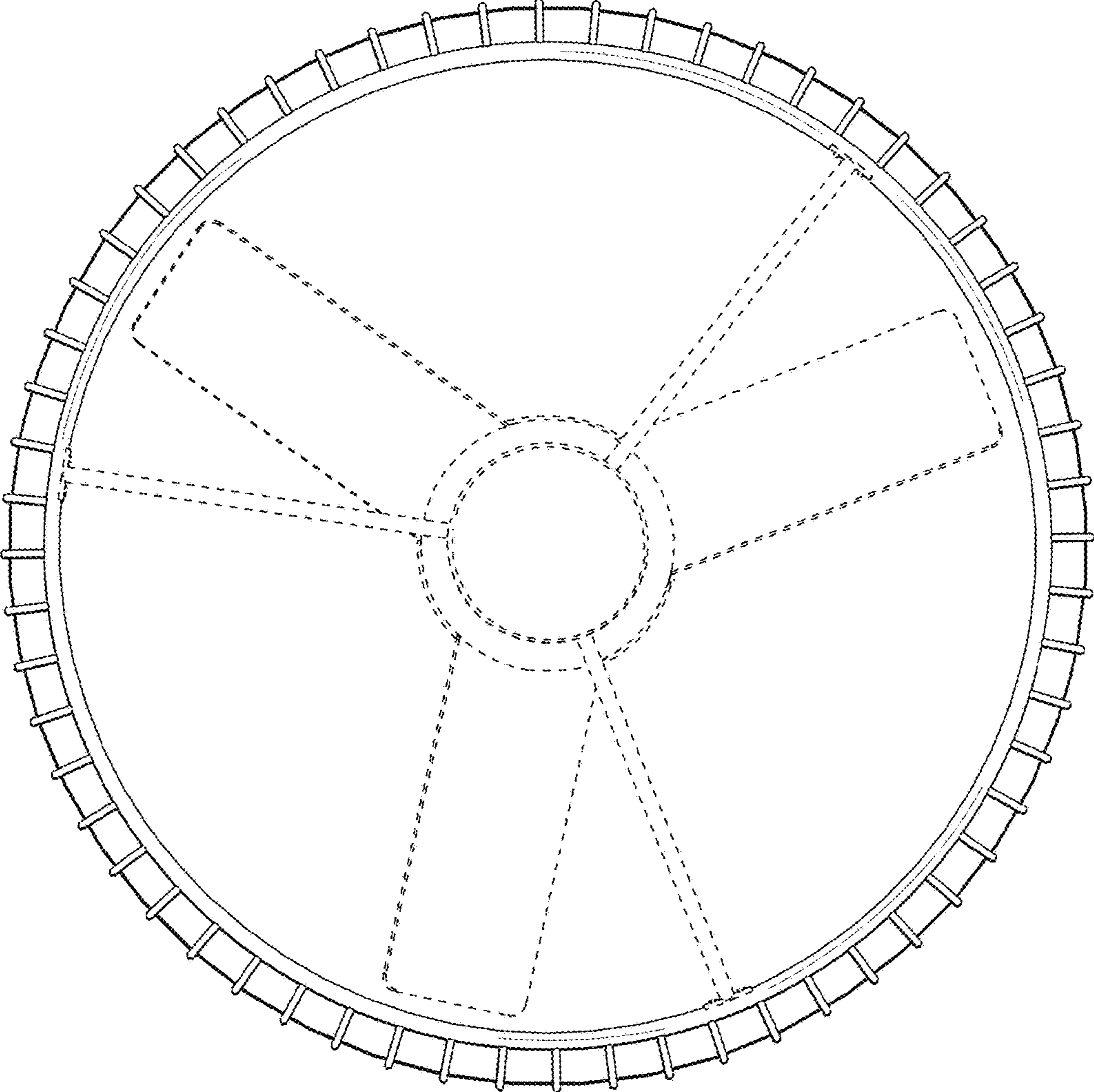


FIG. 3

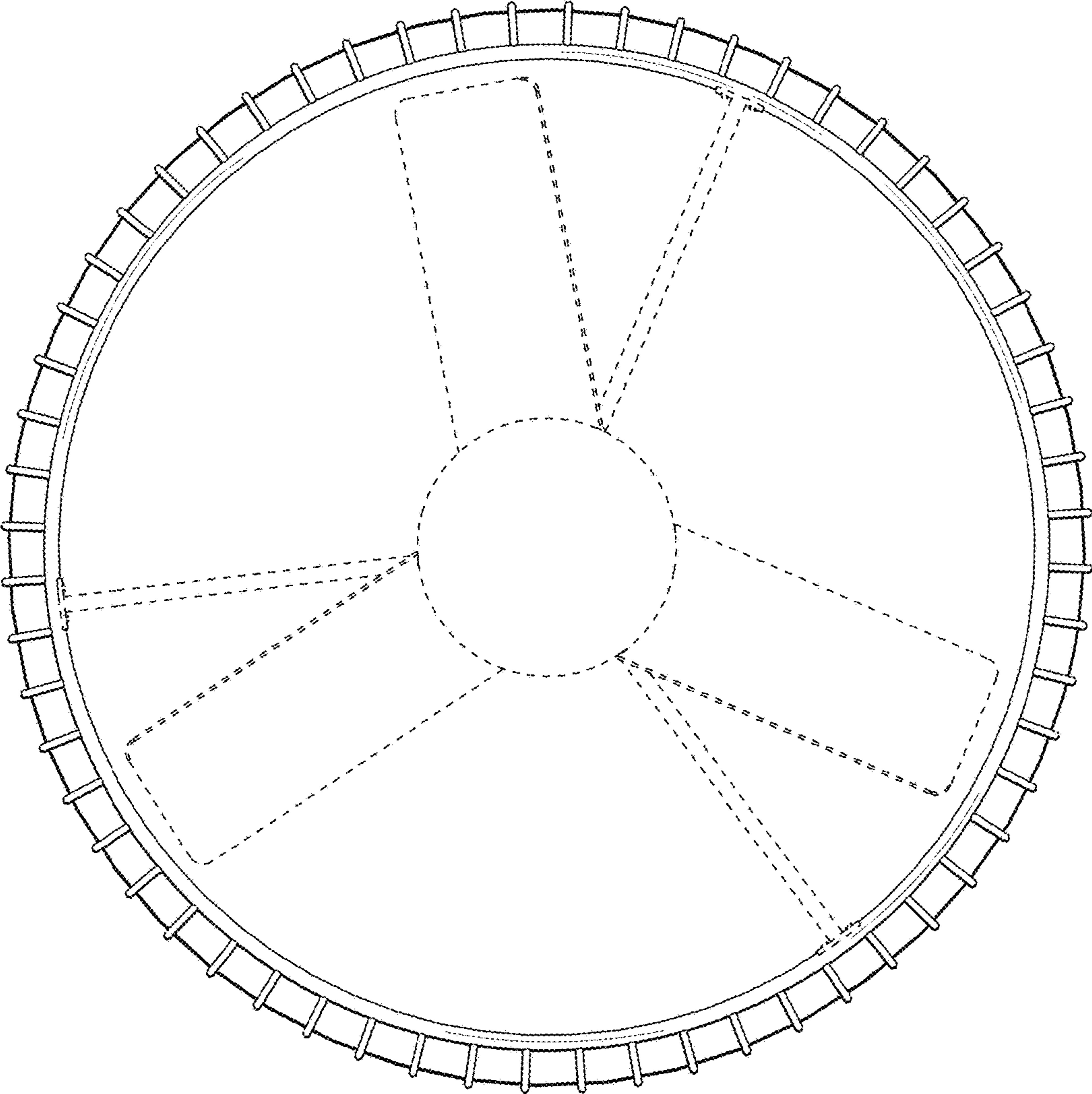


FIG. 4

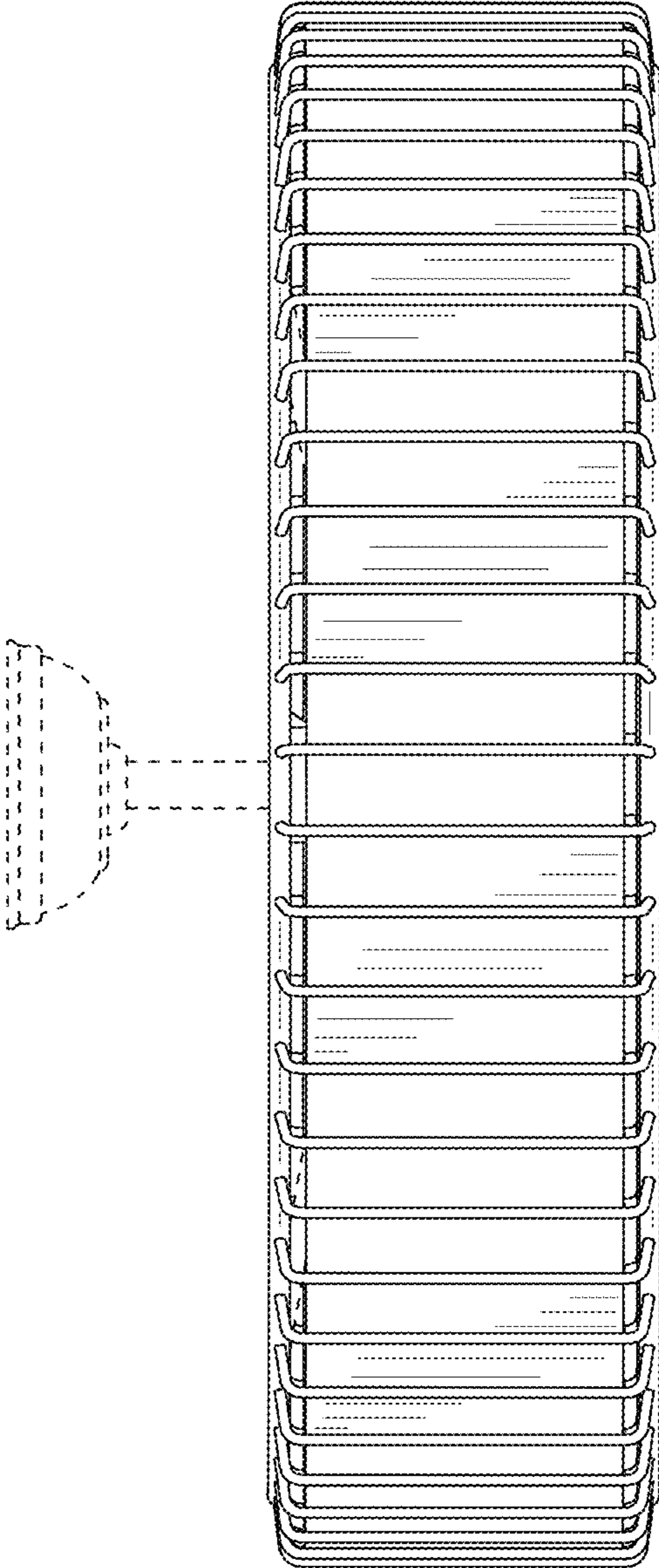


FIG. 5