



US00D804643S

(12) **United States Design Patent**
Green

(10) **Patent No.:** **US D804,643 S**

(45) **Date of Patent:** **** Dec. 5, 2017**

(54) **VENT COVER**

(71) Applicant: **FFCRES, LLC**, Huntsville, AL (US)

(72) Inventor: **Verrick Green**, Huntsville, AL (US)

(73) Assignee: **FFCRES, LLC**, Huntsville, AL (US)

(**) Term: **15 Years**

(21) Appl. No.: **29/529,148**

(22) Filed: **Jun. 4, 2015**

(51) **LOC (10) Cl.** **23-04**

(52) **U.S. Cl.**
USPC **D23/393**

(58) **Field of Classification Search**

USPC D14/356; D10/93, 104.1, 108, 114;
D8/4, 25, 52; D17/20, 22, 23; D23/323,
(Continued)

(56) **References Cited**

U.S. PATENT DOCUMENTS

1,817,494 A * 8/1931 McMann E06B 7/02
160/88
2,839,986 A * 6/1958 Herman F24F 13/08
114/211

(Continued)

OTHER PUBLICATIONS

Vent Cover for Refrigerator, image post date 1980, site visited Mar. 3, 2017, (online), <<http://www.gowesty.com/product-details.php?id=2452>>.*

(Continued)

Primary Examiner — Kevin Rudzinski

Assistant Examiner — Sean D Lough

(74) *Attorney, Agent, or Firm* — Jeremy A. Smith; Frank M. Caprio; Bradley Arant Boult Cummings LLP

(57) **CLAIM**

I claim the ornamental design for a vent cover, as shown and described.

DESCRIPTION

FIG. 1 is a left perspective view of the first embodiment of the vent cover.

FIG. 2 is a right perspective view of the first embodiment of the vent cover.

FIG. 3 is a left side view of the first embodiment of the vent cover.

FIG. 4 is a right side view of the first embodiment of the vent cover.

FIG. 5 is front view of the first embodiment of the vent cover.

FIG. 6 is a rear view of the first embodiment of the vent cover.

FIG. 7 is a top view of the first embodiment of the vent cover.

FIG. 8 is a bottom view of the first embodiment of the vent cover.

FIG. 9 is a left perspective view of the second embodiment of the vent cover.

FIG. 10 is a right perspective view of the second embodiment of the vent cover.

FIG. 11 is a left side view of the second embodiment of the vent cover.

FIG. 12 is a right side view of the second embodiment of the vent cover.

FIG. 13 is front view of the second embodiment of the vent cover.

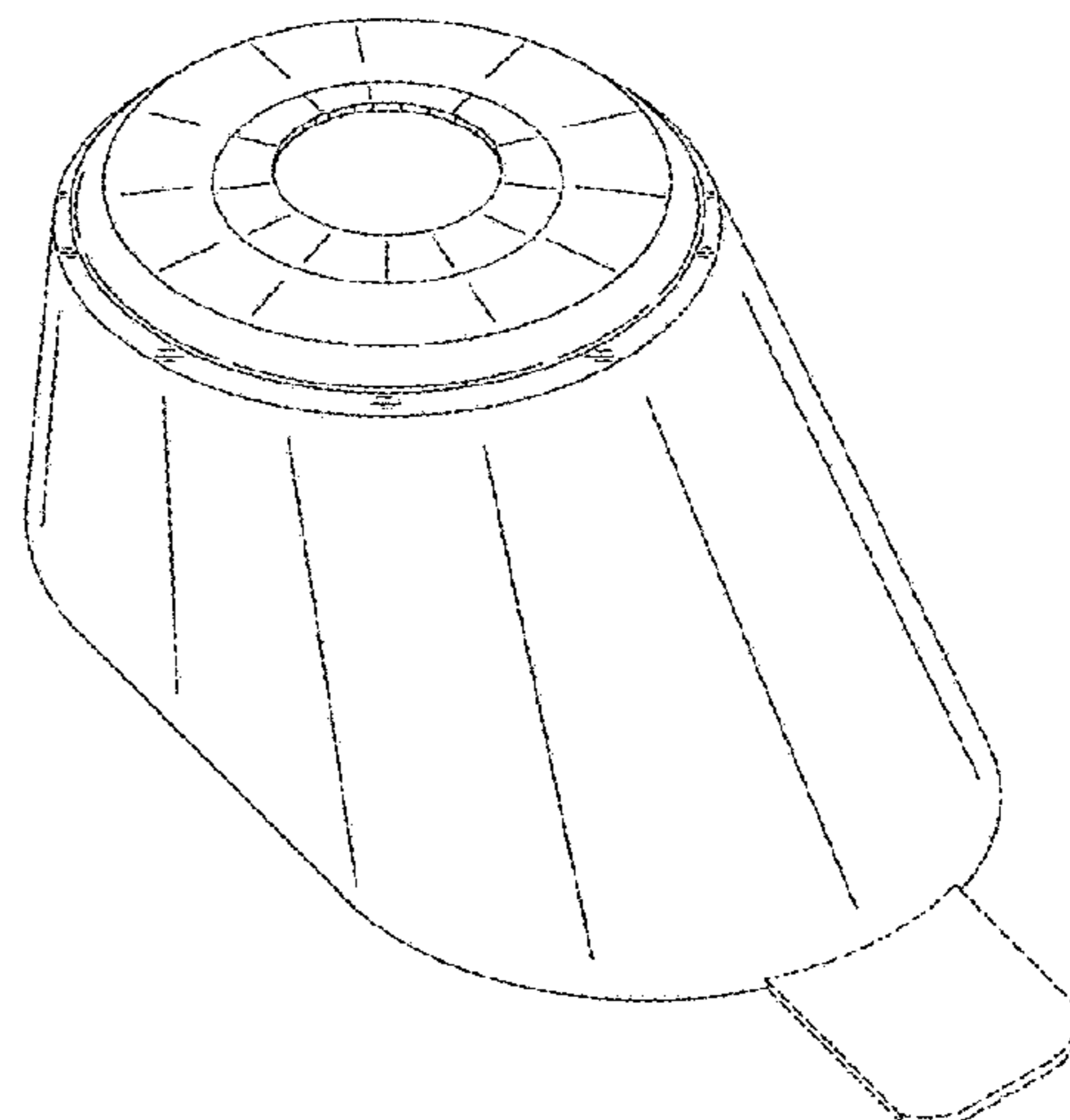
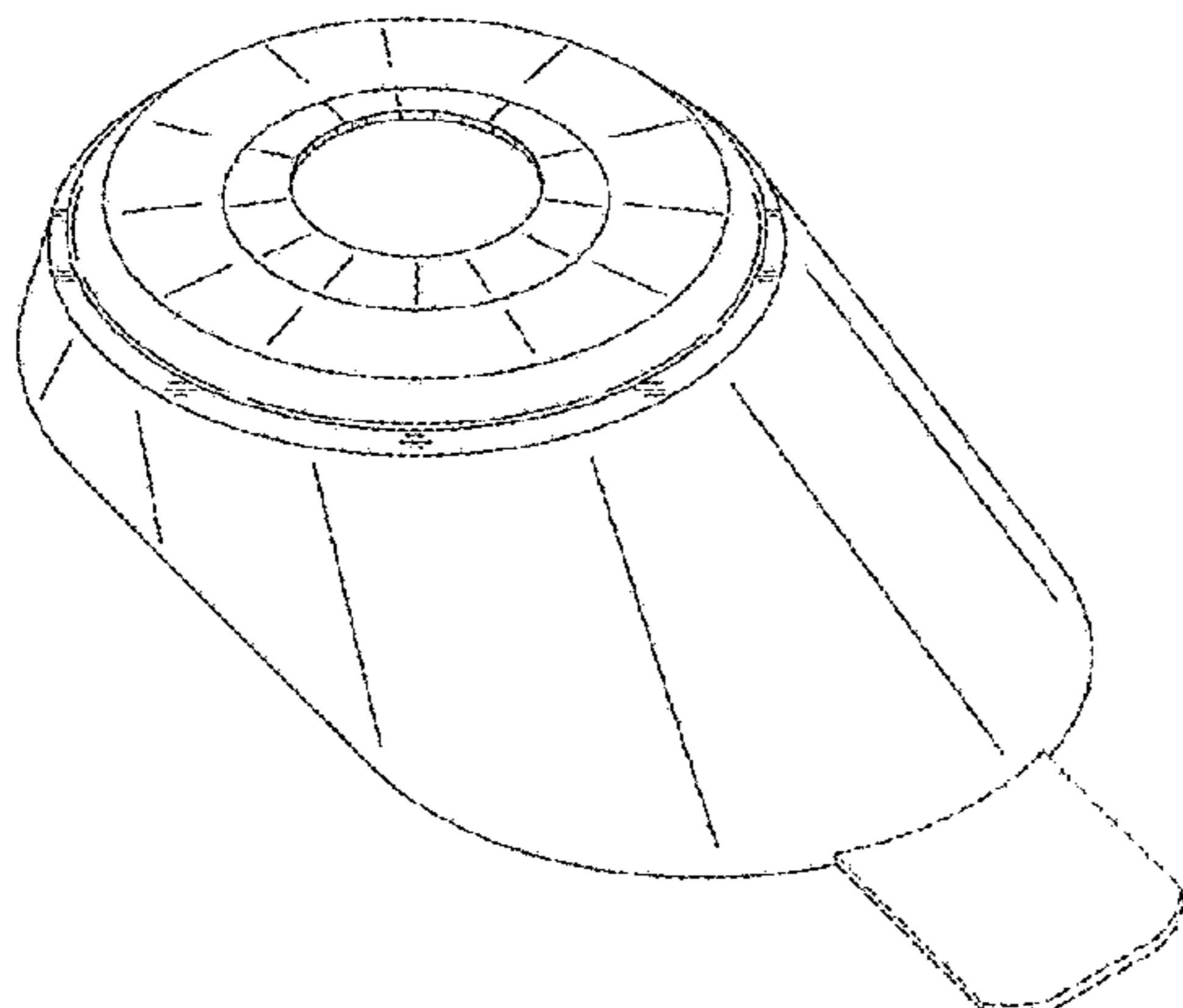
FIG. 14 is a rear view of the second embodiment of the vent cover.

FIG. 15 is a top view of the second embodiment of the vent cover; and,

FIG. 16 is a bottom view of the second embodiment of the vent cover.

The broken lines, where present, in all FIGS. illustrate portions of the vent cover that form no part of the claimed design.

1 Claim, 8 Drawing Sheets



(58) **Field of Classification Search**

USPC D23/328, 333, 335, 336, 337, 341, 352,
 D23/357, 370, 385, 386, 397, 399, 400,
 D23/406, 411, 413, 499, 382, 388, 391,
 D23/392, 393, 394, 395; D13/182
 CPC H01R 13/5213; B60Q 1/04; B60Q 1/26;
 G10D 3/006; G10D 13/023; G10D
 13/027; B25B 15/001; G10H 3/143;
 G10H 3/181; G10G 5/005; A42B 1/04;
 B42C 11/04; B42C 11/16; B42C 11/18;
 B42C 11/20; F03D 3/062; F03D 11/04;
 F04D 19/002; F04D 25/068; F04D
 25/088; F24F 1/0018; B64D 13/02; B64D
 13/00; B64C 2001/009; E04C 2/427;
 E06B 3/5892; E06B 7/02; B24B 37/04;
 E04F 17/00; E21F 1/04; F01P 1/02; F17C
 13/04; F22B 1/1876; F22B 1/22; F22B
 3/04

See application file for complete search history.

(56) **References Cited**

U.S. PATENT DOCUMENTS

4,899,645 A * 2/1990 Wolfe B60H 1/00428
 136/291
 D341,908 S * 11/1993 Pataki D28/54.1
 D350,722 S * 9/1994 Figueroa D12/345
 D351,649 S * 10/1994 Lin D23/364
 D365,393 S * 12/1995 Geun D23/332
 D387,422 S * 12/1997 Radtke D23/328
 D394,500 S * 5/1998 Feer D23/332
 D397,417 S * 8/1998 Jane D23/411
 D475,449 S * 6/2003 Stout, Jr. D23/266
 D476,074 S * 6/2003 Stout, Jr. D23/266
 D476,407 S * 6/2003 Snyder D23/388
 D493,209 S * 7/2004 Wade D23/233
 D503,156 S * 3/2005 Provenzano D13/156
 D553,237 S * 10/2007 Herbst D23/372
 D554,475 S * 11/2007 Gorin D8/353
 D554,749 S * 11/2007 Ness D23/393
 D571,273 S * 6/2008 Ferrari D12/194
 D571,908 S * 6/2008 Myers D23/393
 7,390,964 B2 * 6/2008 Gorin H02G 3/14
 174/53
 D577,321 S * 9/2008 Shimokawa D12/194
 D580,342 S * 11/2008 Cardozo D12/345

D583,287 S * 12/2008 Shimokawa D12/194
 D590,491 S * 4/2009 Kirk D23/403
 D624,639 S * 9/2010 Dilorenzo D23/365
 D637,636 S * 5/2011 Liao D15/150
 7,966,857 B1 * 6/2011 Myers B21D 22/20
 29/890.141
 D656,661 S * 3/2012 Tsai D26/118
 D673,245 S * 12/2012 Cooney D23/260
 D685,077 S * 6/2013 Lewis D23/378
 D687,675 S * 8/2013 Filho D7/407
 D717,395 S * 11/2014 Neto D23/209
 D718,136 S * 11/2014 Harrity D9/499
 D722,377 S * 2/2015 Schramski D23/393
 D729,377 S * 5/2015 Chen D23/378
 D733,981 S * 7/2015 Sechere D32/8
 D734,861 S * 7/2015 Johnson D24/201
 D740,953 S * 10/2015 Spears D24/201
 D742,499 S * 11/2015 Wortman D23/386
 D743,203 S * 11/2015 Filho D7/407
 D743,520 S * 11/2015 Sinur D23/372
 D750,216 S * 2/2016 Bakker, Jr. D23/388
 D751,185 S * 3/2016 Harris D23/386
 D756,501 S * 5/2016 Park D23/385
 D765,826 S * 9/2016 Harris D23/386
 D768,838 S * 10/2016 Ritch D23/324
 D770,598 S * 11/2016 Steele D23/262
 D773,636 S * 12/2016 Wang D23/411
 D777,211 S * 1/2017 Wall D15/5
 D777,565 S * 1/2017 Yeh D8/382
 2006/0275996 A1 * 12/2006 Frank H01G 2/04
 438/396
 2007/0082325 A1 * 4/2007 Novosel A63B 69/3608
 434/252
 2015/0267600 A1 * 9/2015 Mehravaran F01P 1/02
 123/41.11

OTHER PUBLICATIONS

Pyrex Storage Deluxe Pink Vent Cover, image post date Mar. 16,
 2015, site visited Mar. 3, 2017, (online), <[http://www.ebay.com/
 cln/black-friday-savings/black-friday-deals-on-pyrex/
 246289478017](http://www.ebay.com/cln/black-friday-savings/black-friday-deals-on-pyrex/246289478017)>.*
 Chevy Air Conditioning Dash Vent Assemblies, image post date
 1955, site visited Mar. 3, 2017, (online), <[https://www.danchuk.
 com/ItemForm.aspx?Item=16203](https://www.danchuk.com/ItemForm.aspx?Item=16203)>.*
 Air conditioning dash nozzles, image post date 1955, site visited
 Mar. 3, 2017, (online), <[https://www.yearone.com/Catalog/1955.
 57.chevy/interior/dash/vents_knobs_cables_hardware](https://www.yearone.com/Catalog/1955.57.chevy/interior/dash/vents_knobs_cables_hardware)>.*

* cited by examiner

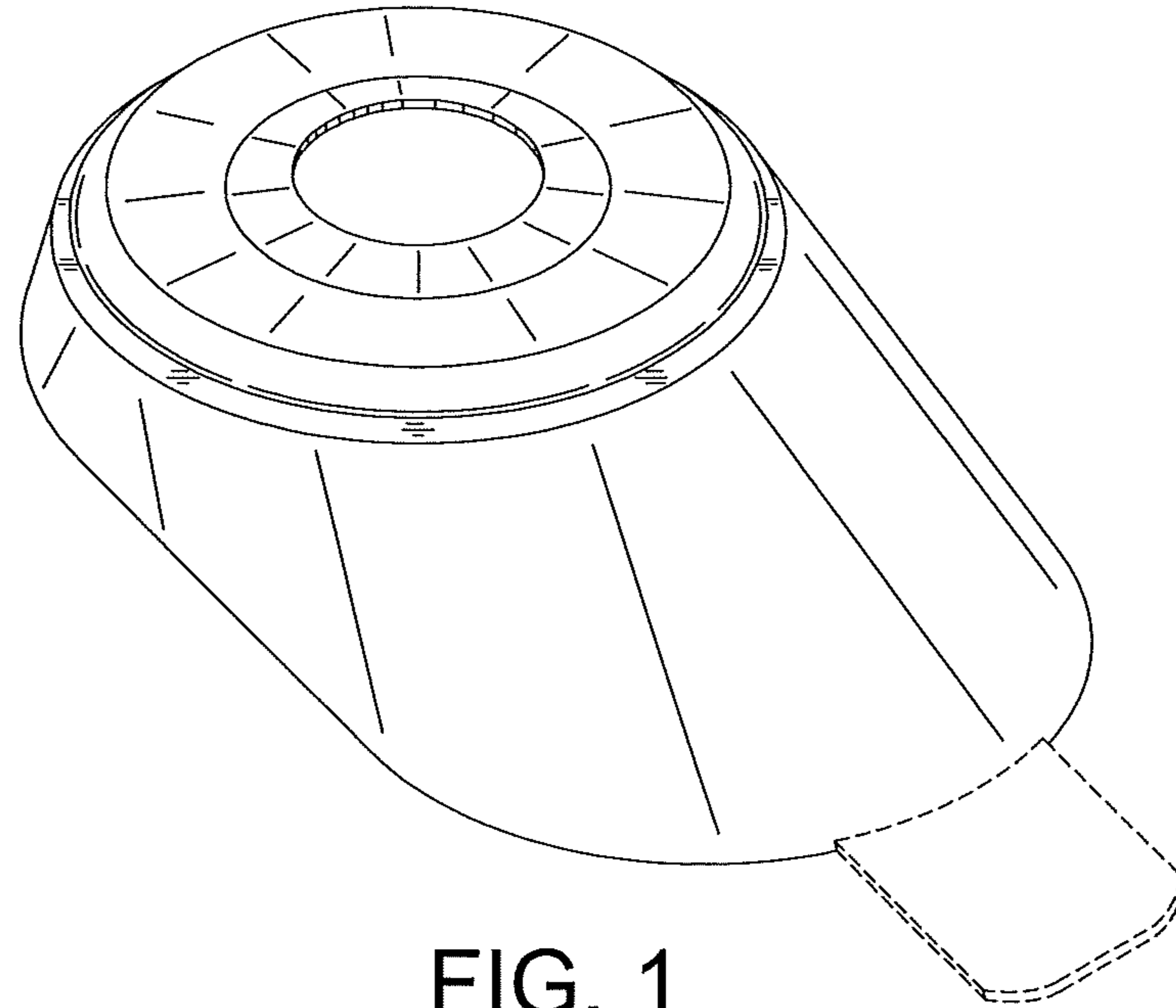


FIG. 1

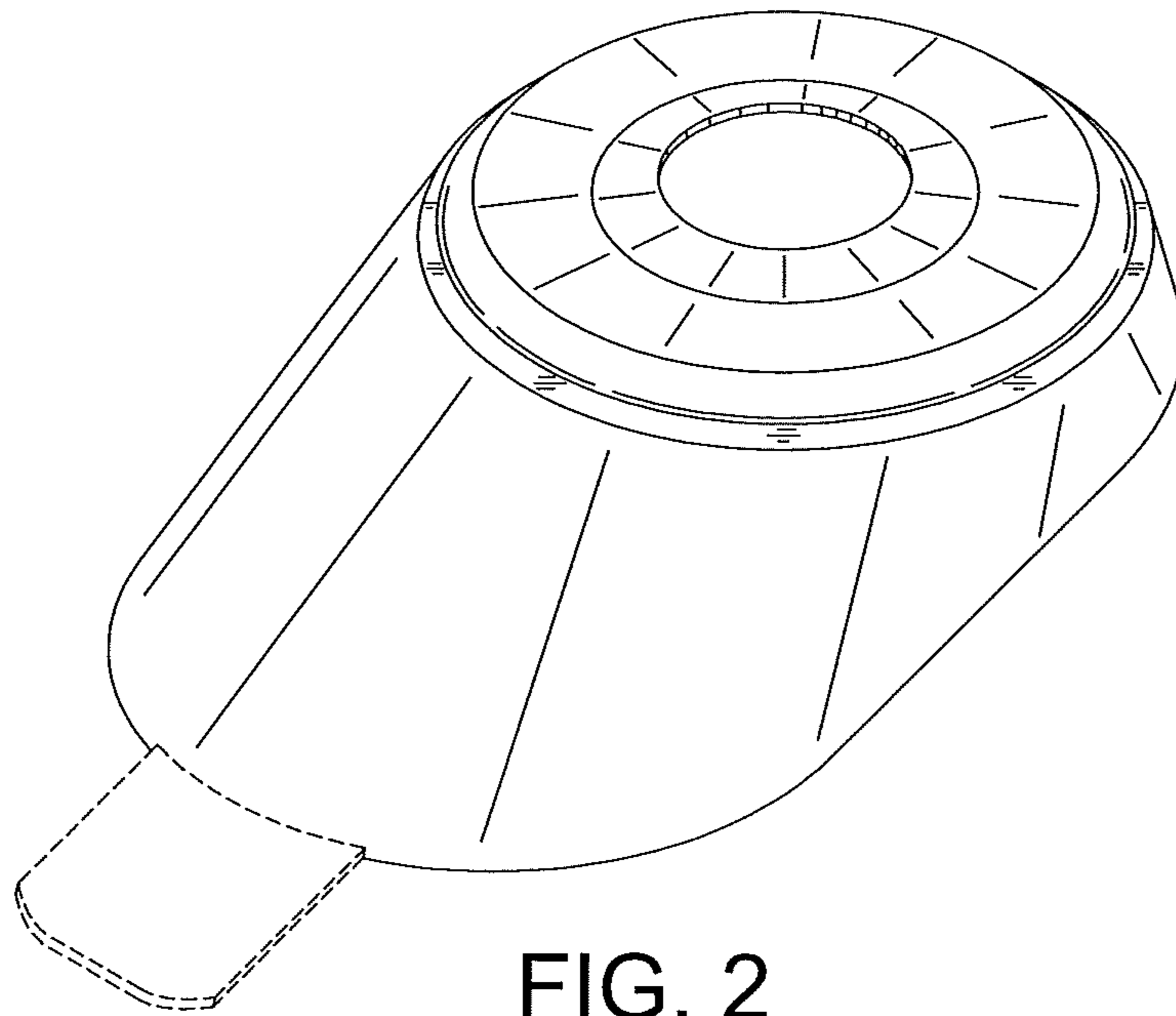


FIG. 2

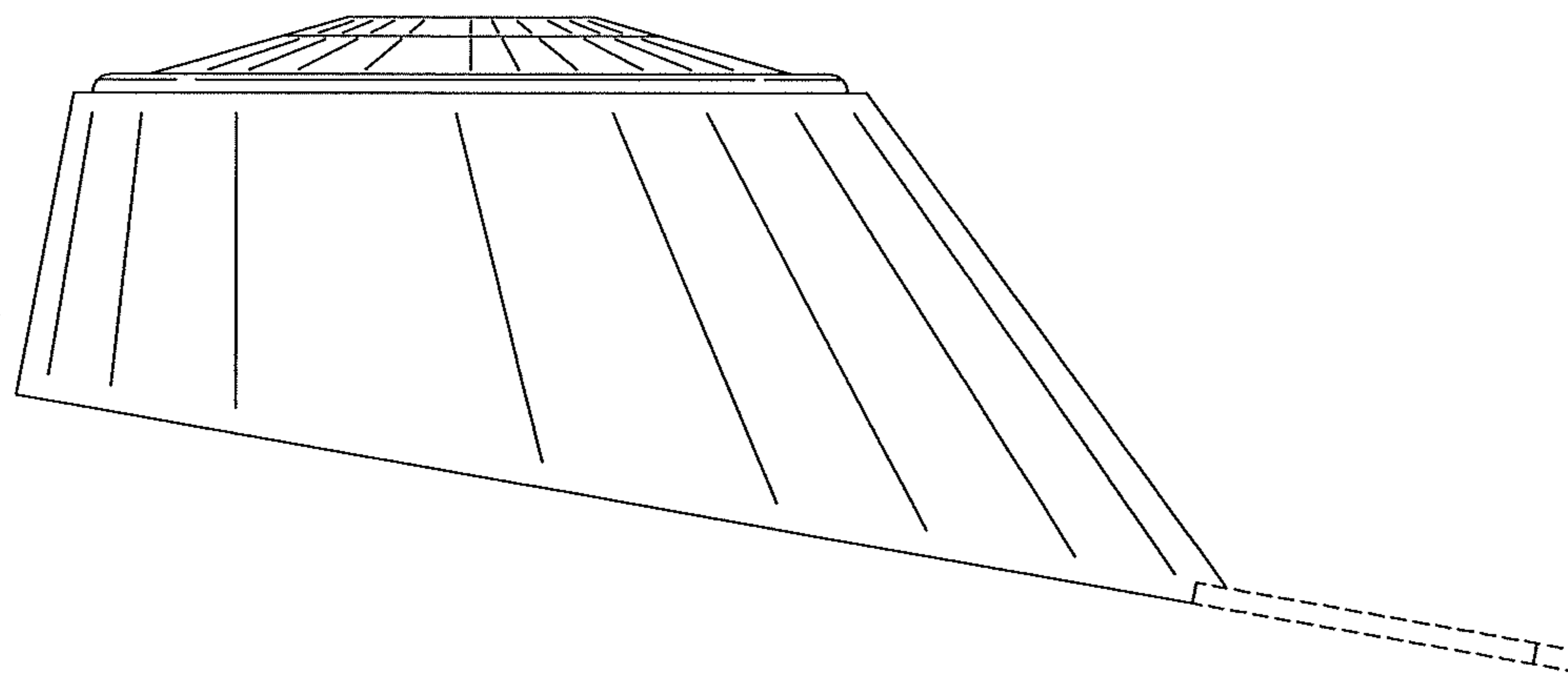


FIG. 3

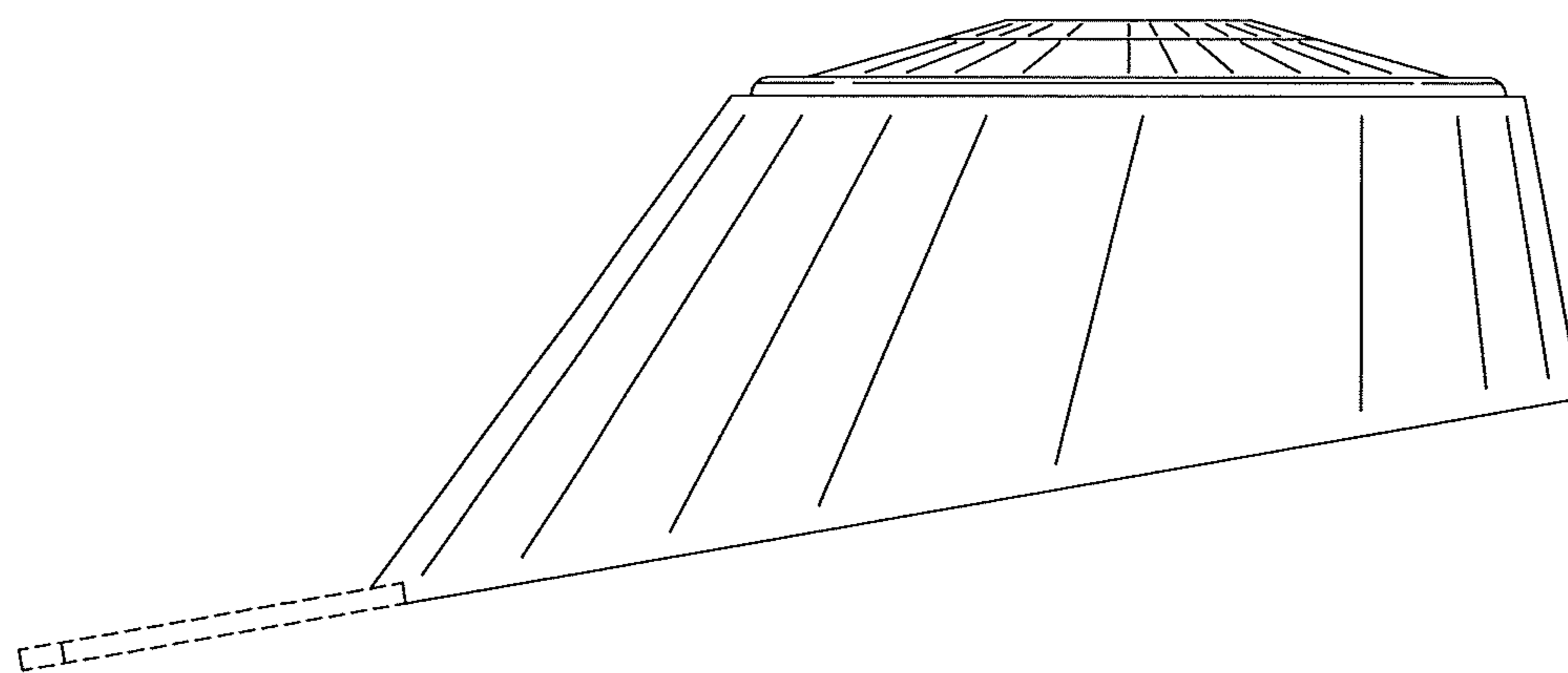


FIG. 4

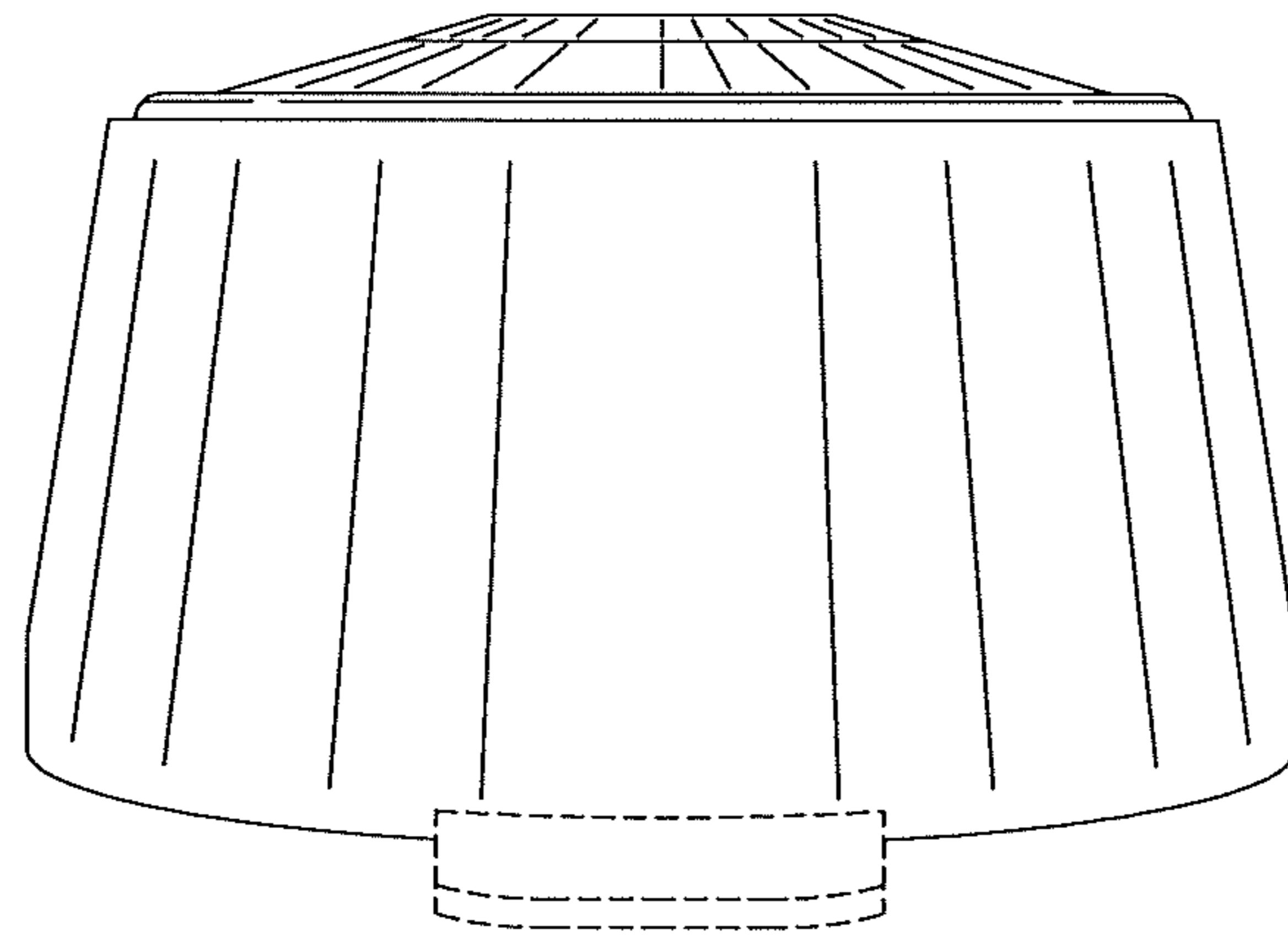


FIG. 5

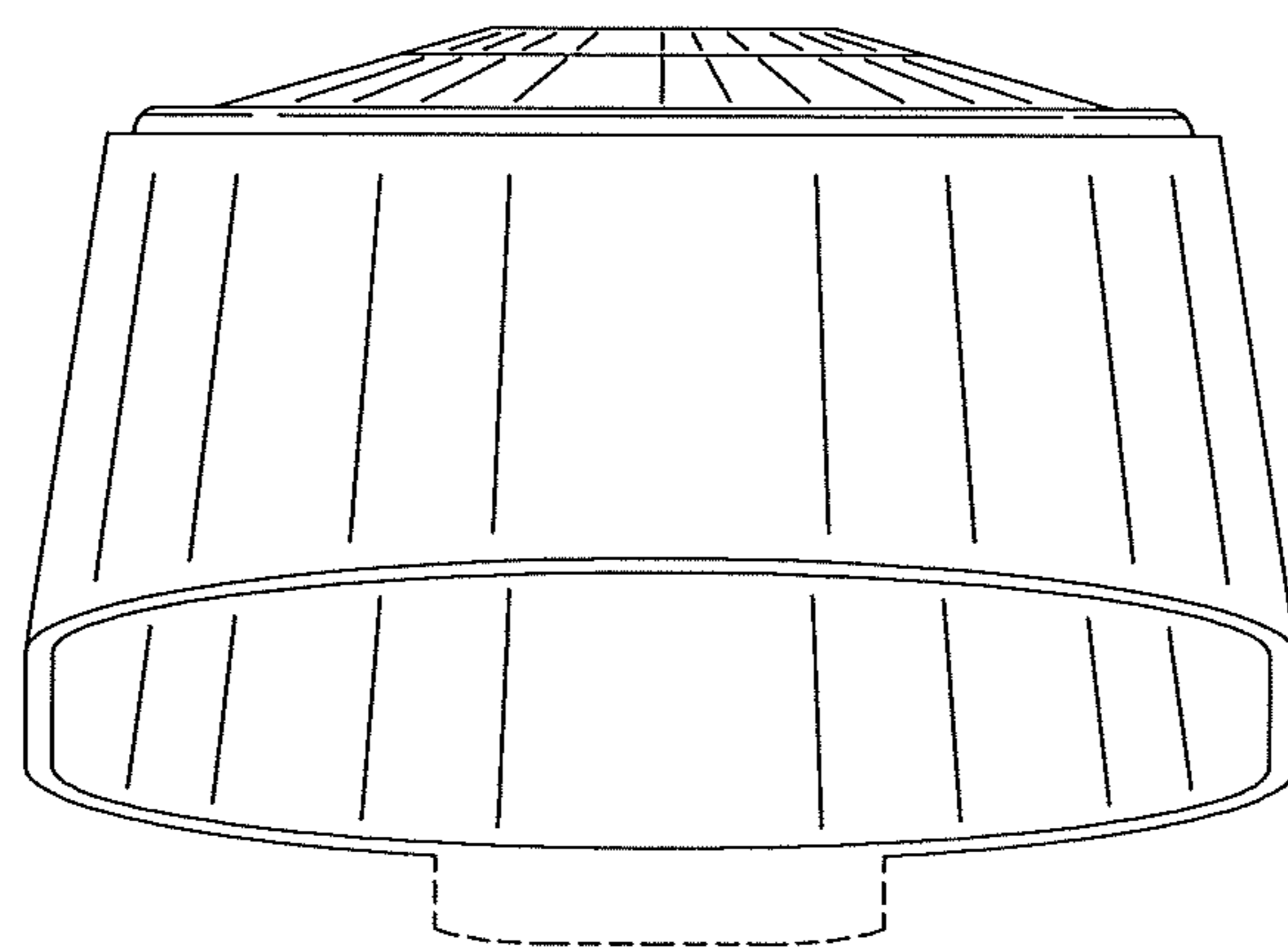


FIG. 6

FIG. 7

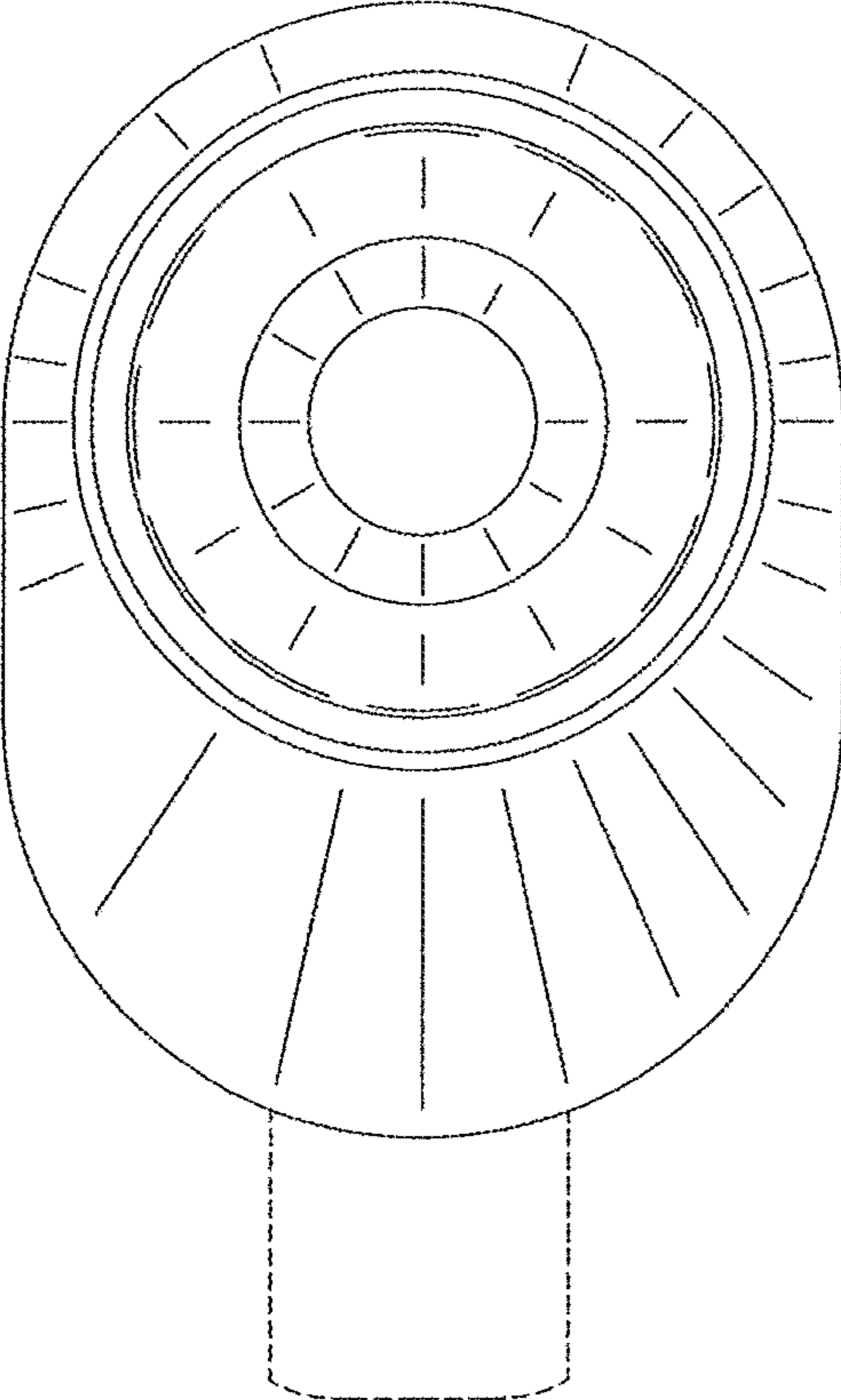
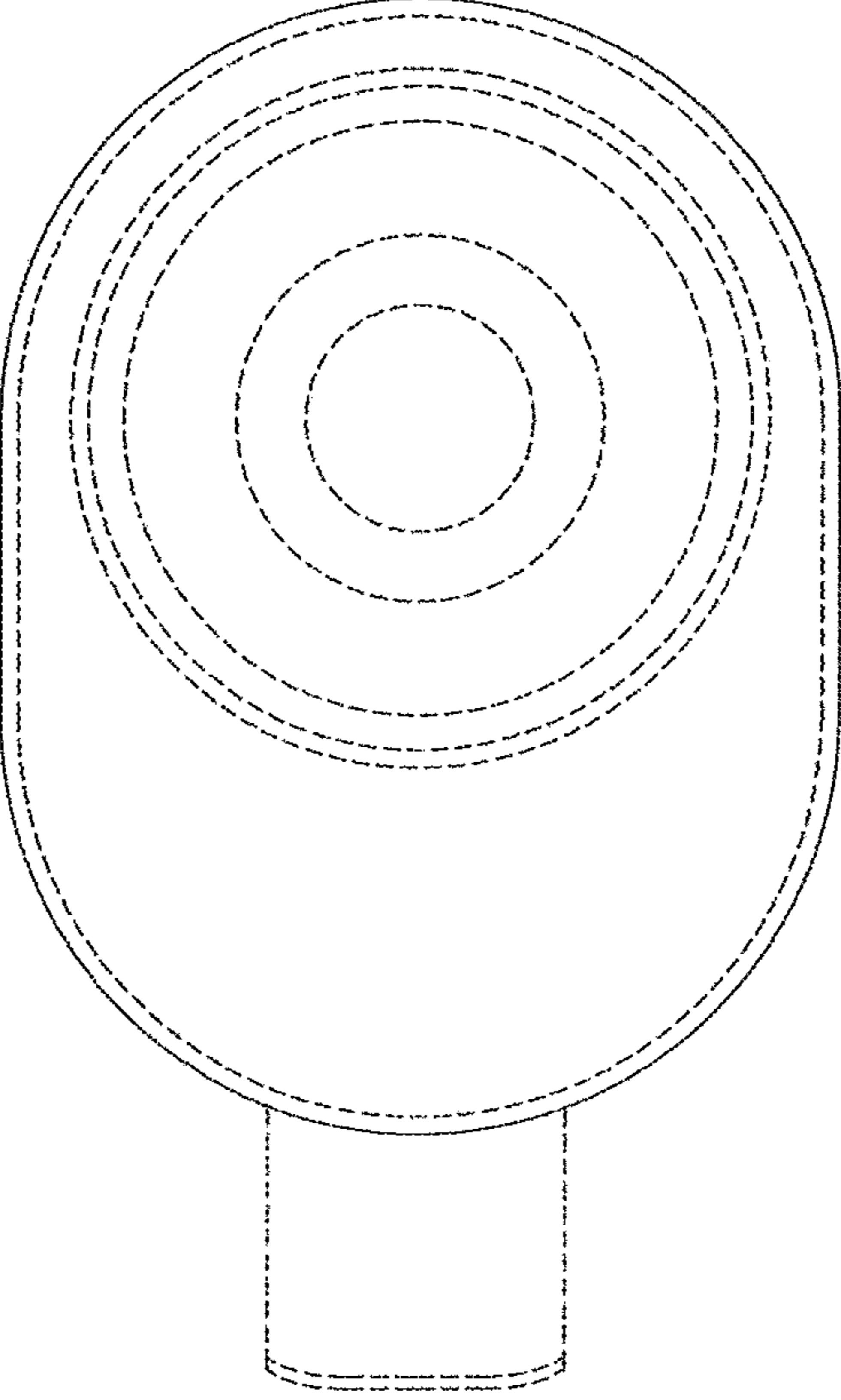
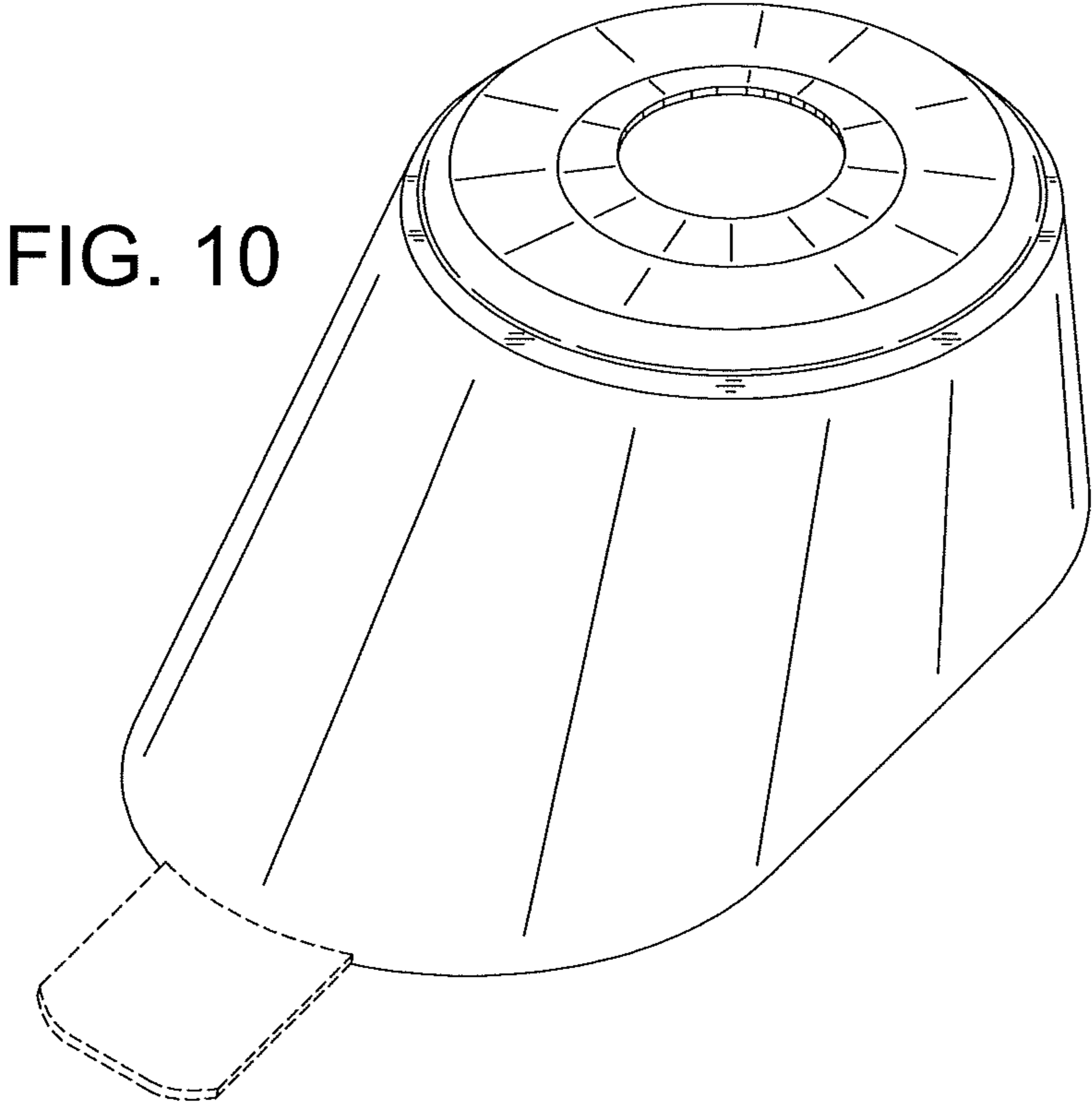
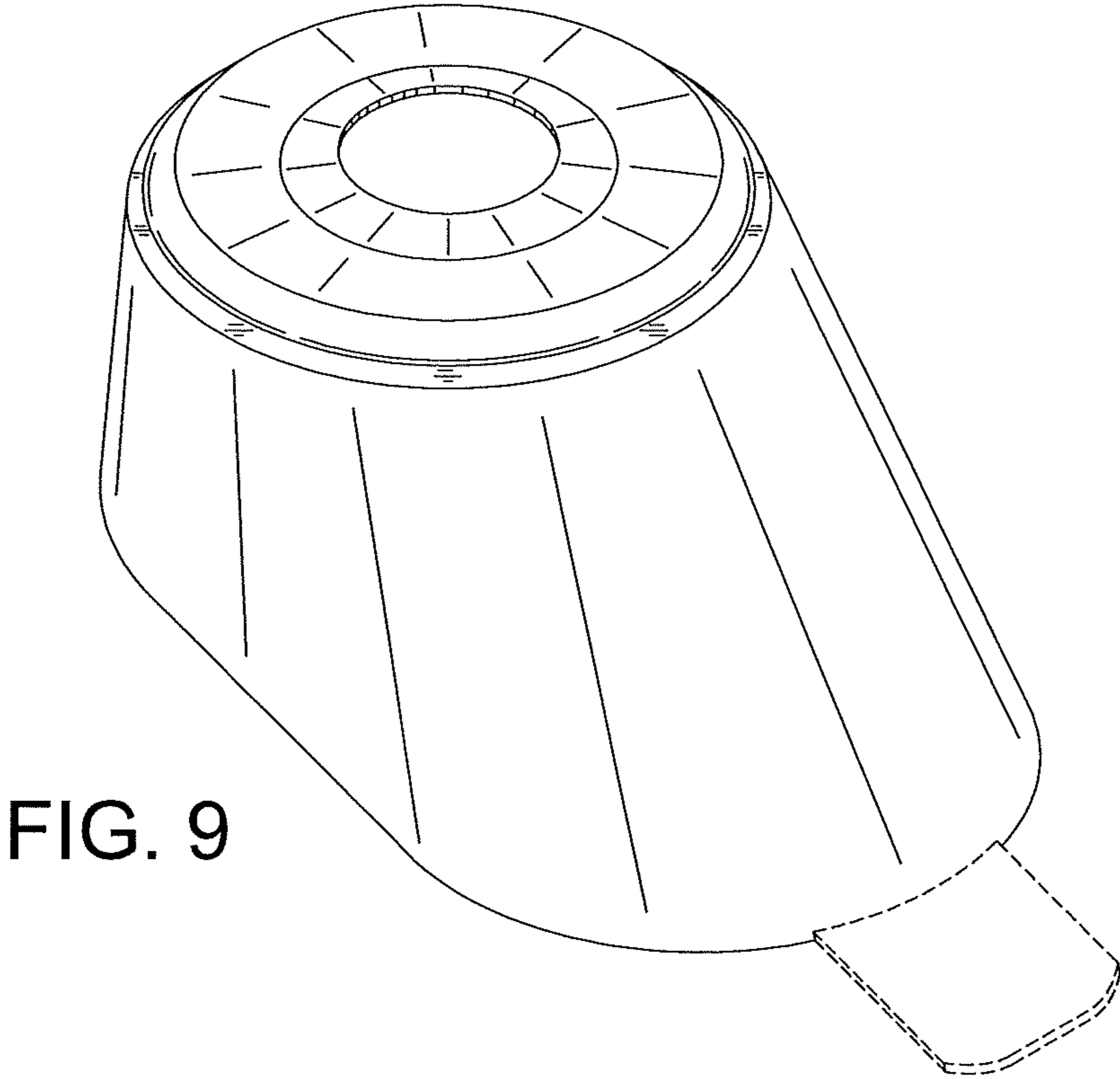


FIG. 8





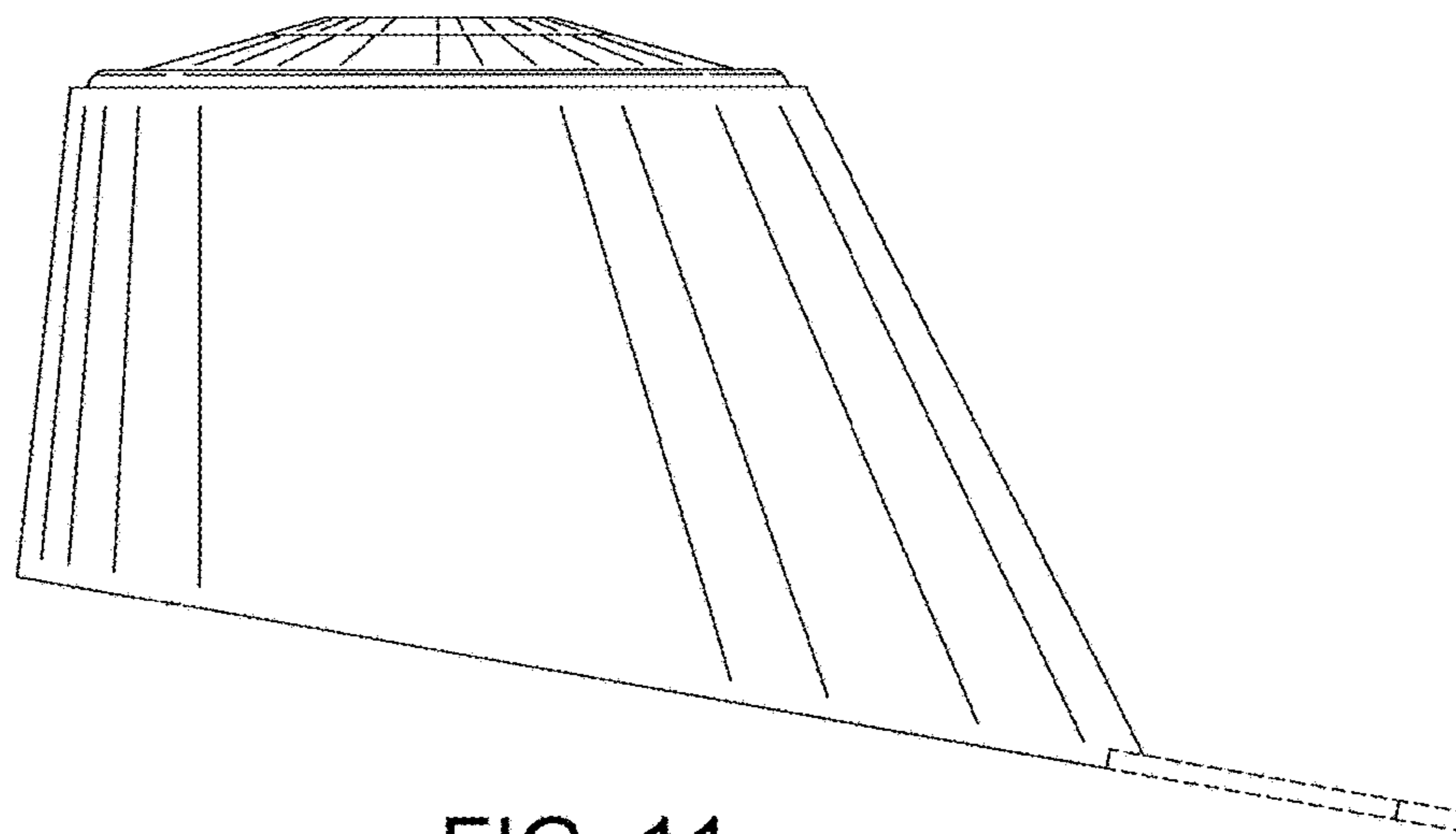


FIG. 11

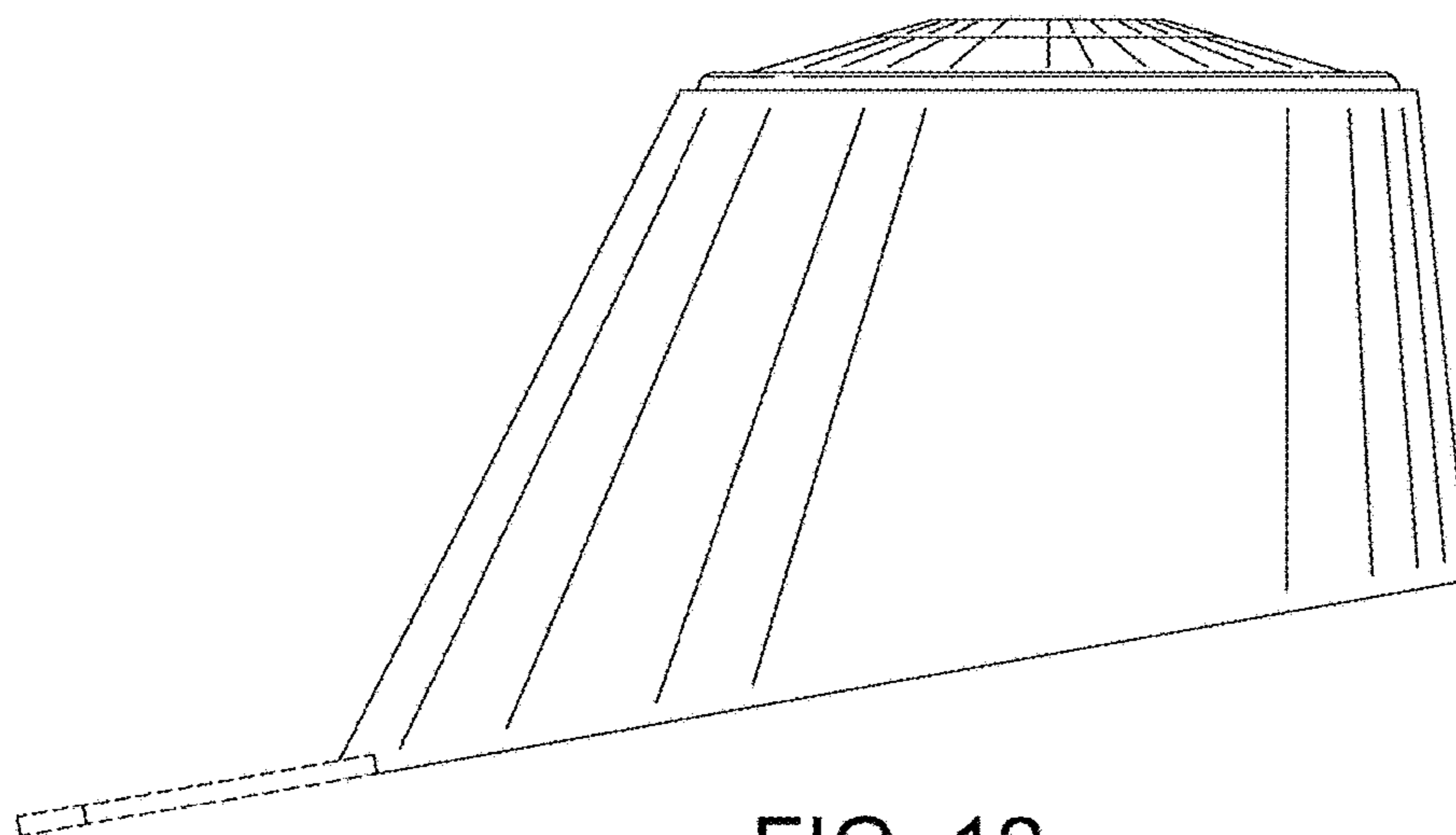


FIG. 12

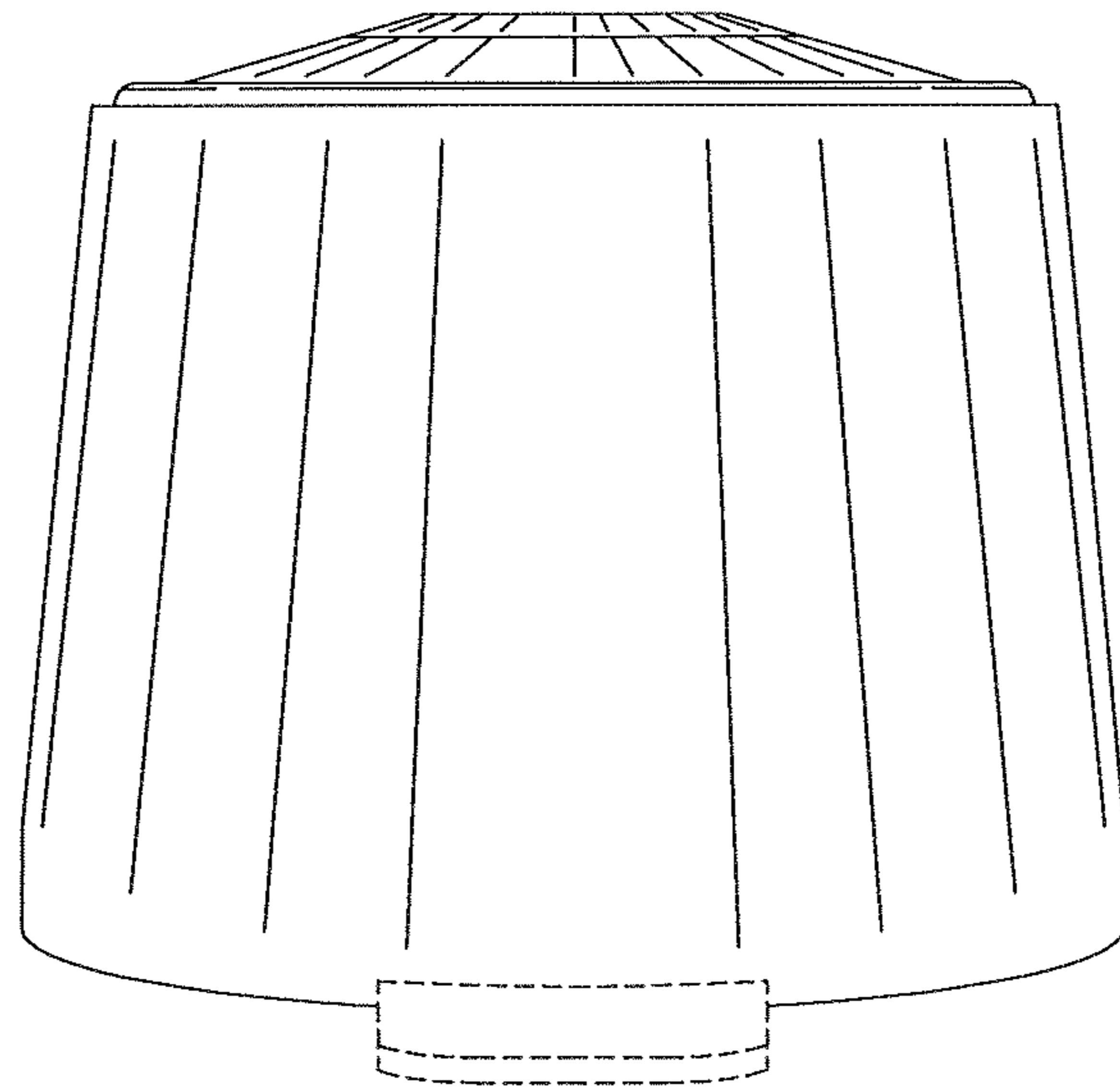


FIG. 13

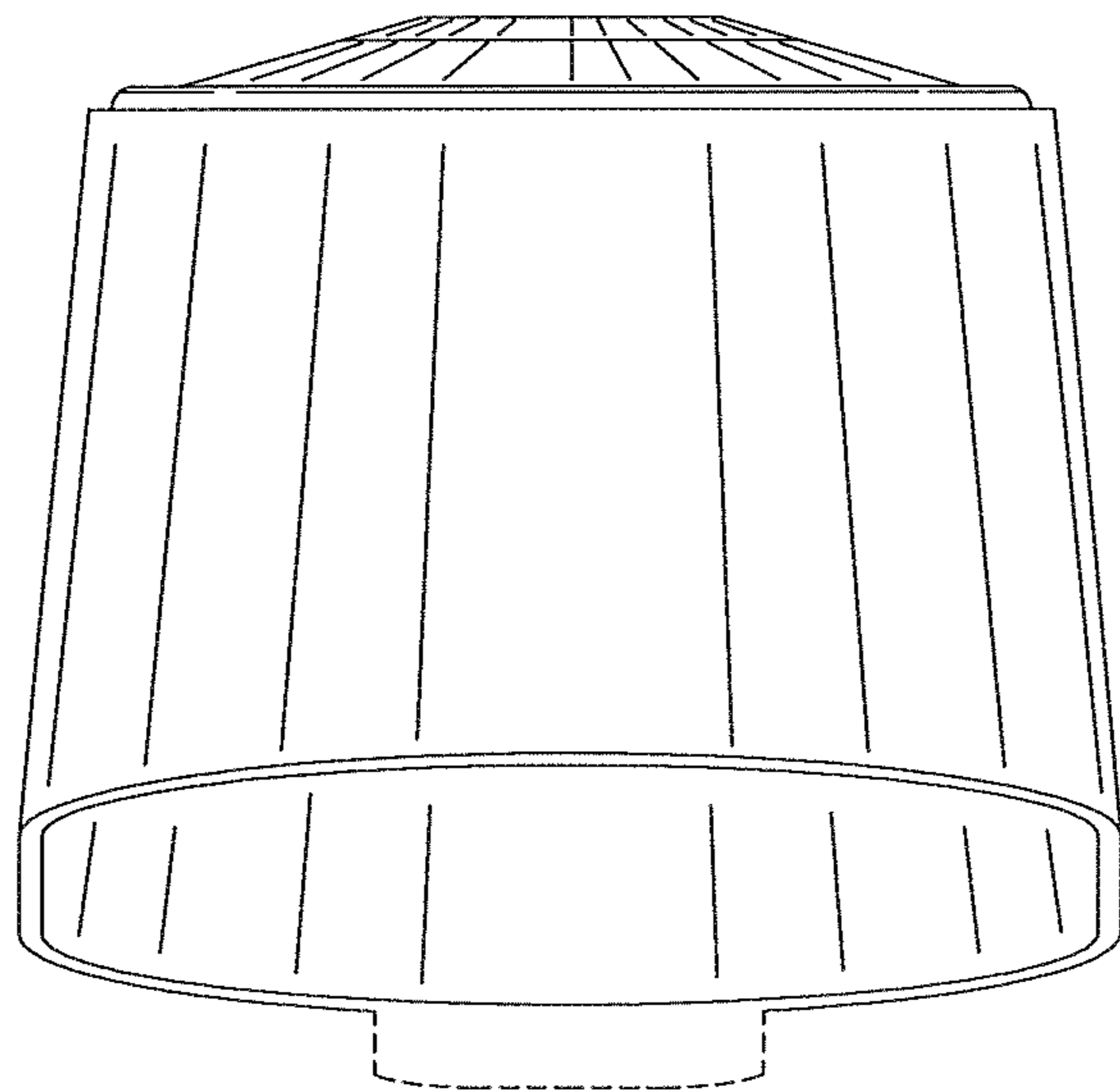


FIG. 14

FIG. 15

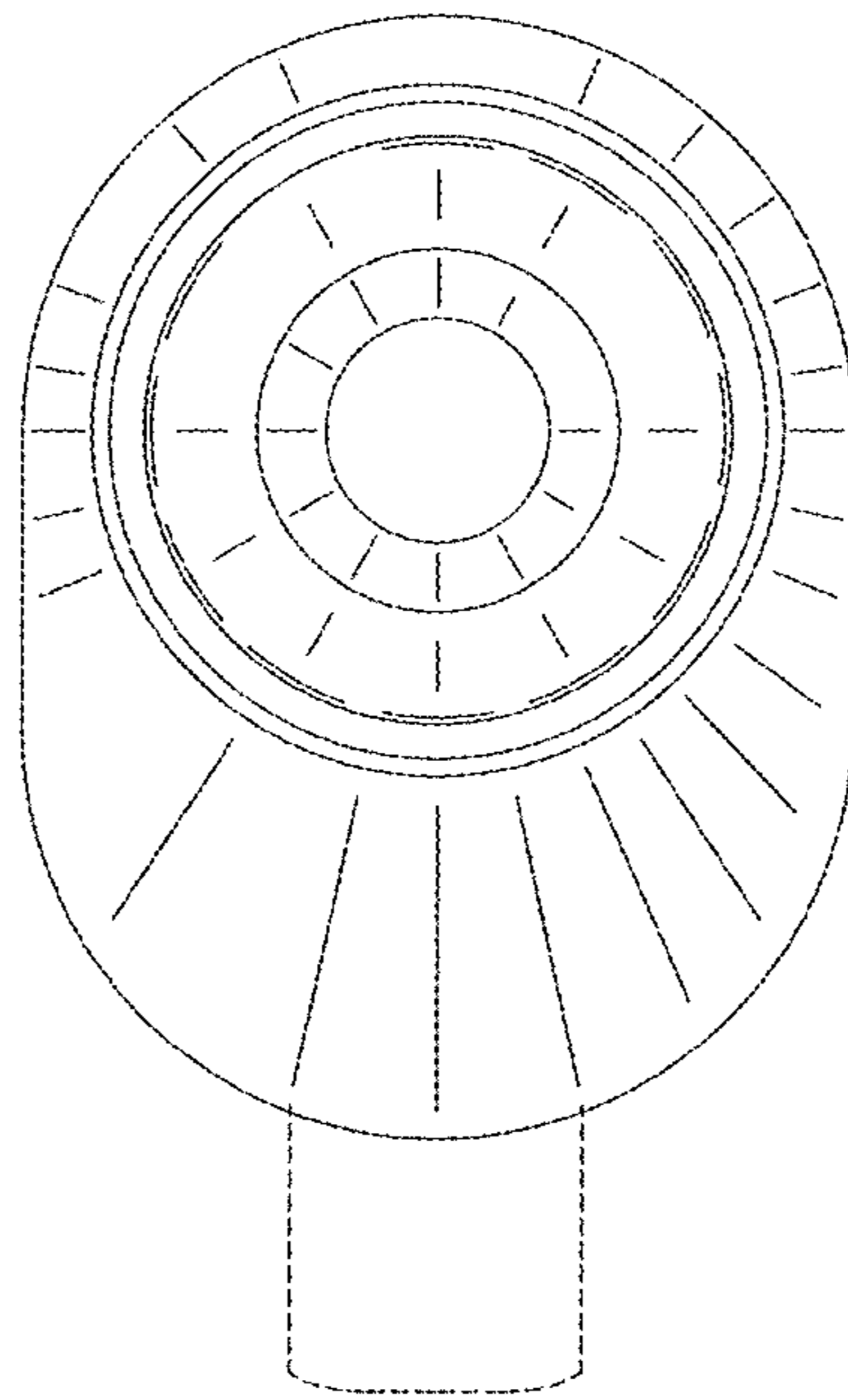


FIG. 16

