



US00D804642S

(12) **United States Design Patent**
Wong

(10) **Patent No.:** **US D804,642 S**

(45) **Date of Patent:** **** Dec. 5, 2017**

(54) **ELECTRIC FAN**

(71) Applicant: **IMS International Ltd, Hong Kong (HK)**

(72) Inventor: **Ping Cheung Wong, Hong Kong (HK)**

(73) Assignee: **IMS International Ltd, Hong Kong (HK)**

(**) Term: **15 Years**

(21) Appl. No.: **29/575,293**

(22) Filed: **Aug. 24, 2016**

(51) **LOC (10) Cl.** **23-04**

(52) **U.S. Cl.**

USPC **D23/378; D23/382**

(58) **Field of Classification Search**

USPC D23/370, 371, 377-379, 381, 382,
D23/385-388, 411, 412; D26/59

CPC F04D 25/088; F04D 29/005; F04D 29/601;
F04D 29/324; F21V 33/0096; F21V
33/0092; F24F 13/078

See application file for complete search history.

(56) **References Cited**

U.S. PATENT DOCUMENTS

D323,885 S * 2/1992 Wortham D23/378
D355,483 S * 2/1995 Litvin D23/378

D412,743 S * 8/1999 Litvin D23/378
D414,858 S * 10/1999 Litvin D23/378
D416,081 S * 11/1999 Lee D23/378
D459,467 S * 6/2002 Wilson, Jr. D23/378
D484,965 S * 1/2004 Wong D23/378
D511,570 S * 11/2005 Ke D23/378
D520,132 S * 5/2006 Jones D23/378
7,594,798 B1 * 9/2009 Bucher F04D 29/701
415/121.2
D676,124 S * 2/2013 Almanza D23/378
D762,837 S * 8/2016 Yeung D23/378

* cited by examiner

Primary Examiner — Janice Hallmark

(57) **CLAIM**

The ornamental design for an electric fan, as shown and described.

DESCRIPTION

FIG. 1 is a perspective view of an electric fan showing my new design;

FIG. 2 is a front elevational view thereof;

FIG. 3 is a rear elevational view thereof;

FIG. 4 is a left side view thereof;

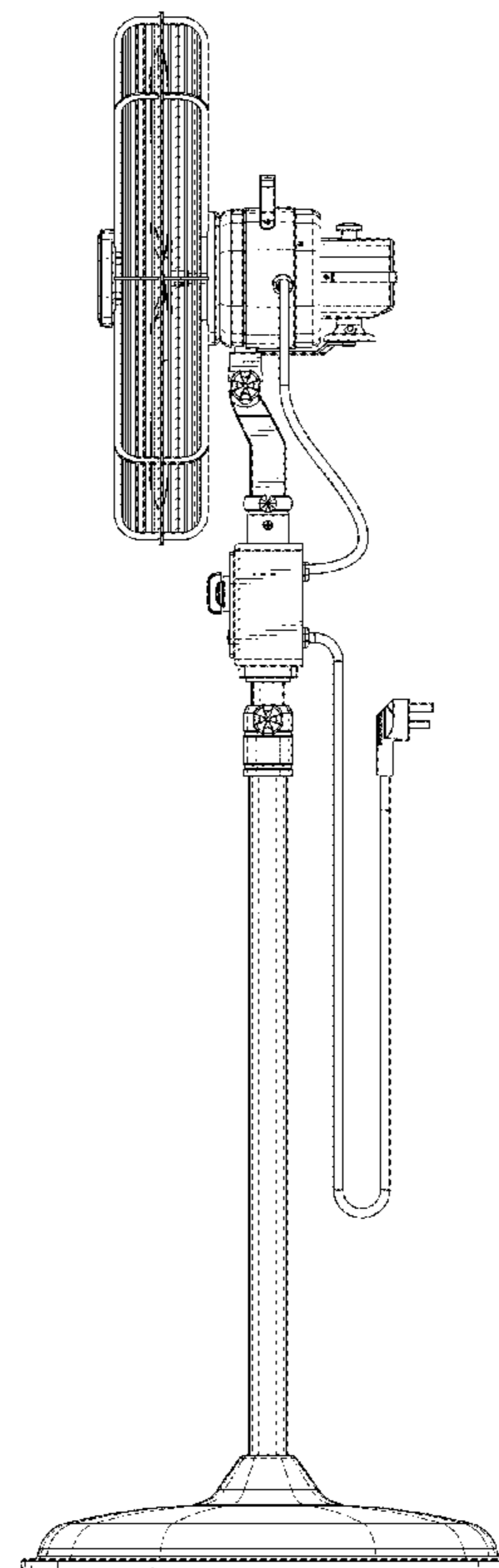
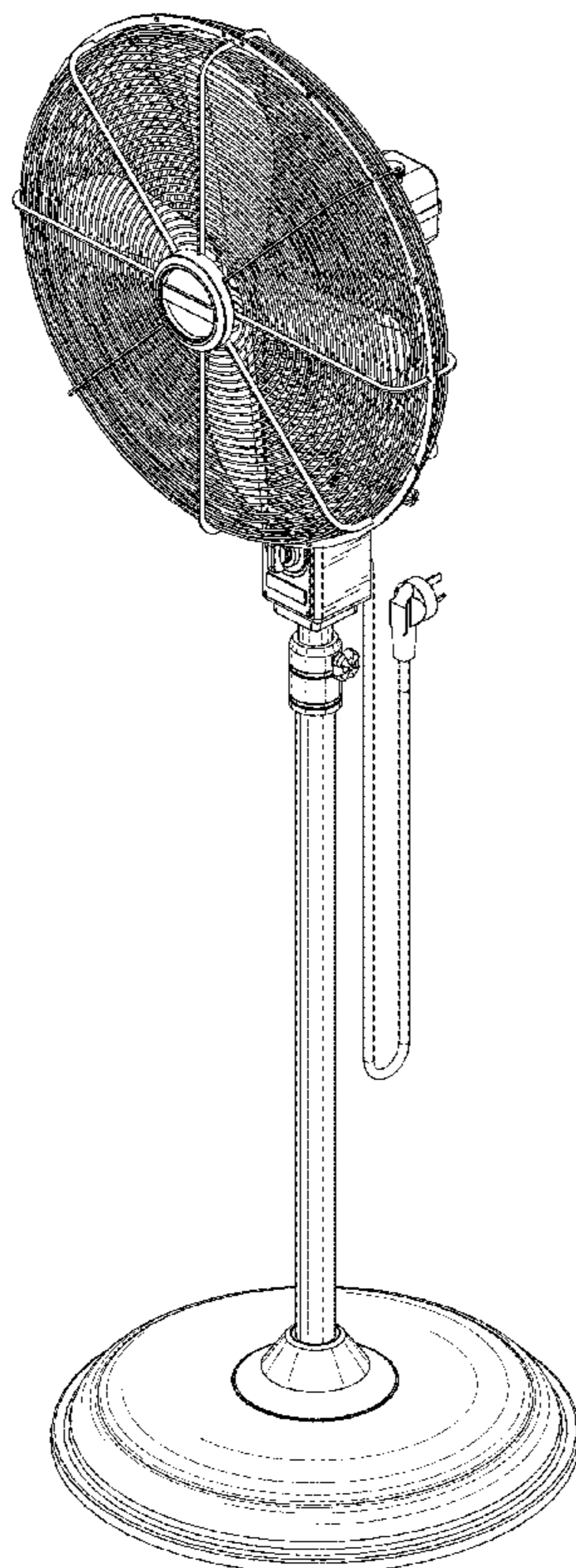
FIG. 5 is a right side view thereof;

FIG. 6 is a top plan view thereof; and,

FIG. 7 is a bottom plan view thereof.

The broken lines in the drawings illustrate portions of the electric fan which form no part of the claimed design.

1 Claim, 6 Drawing Sheets



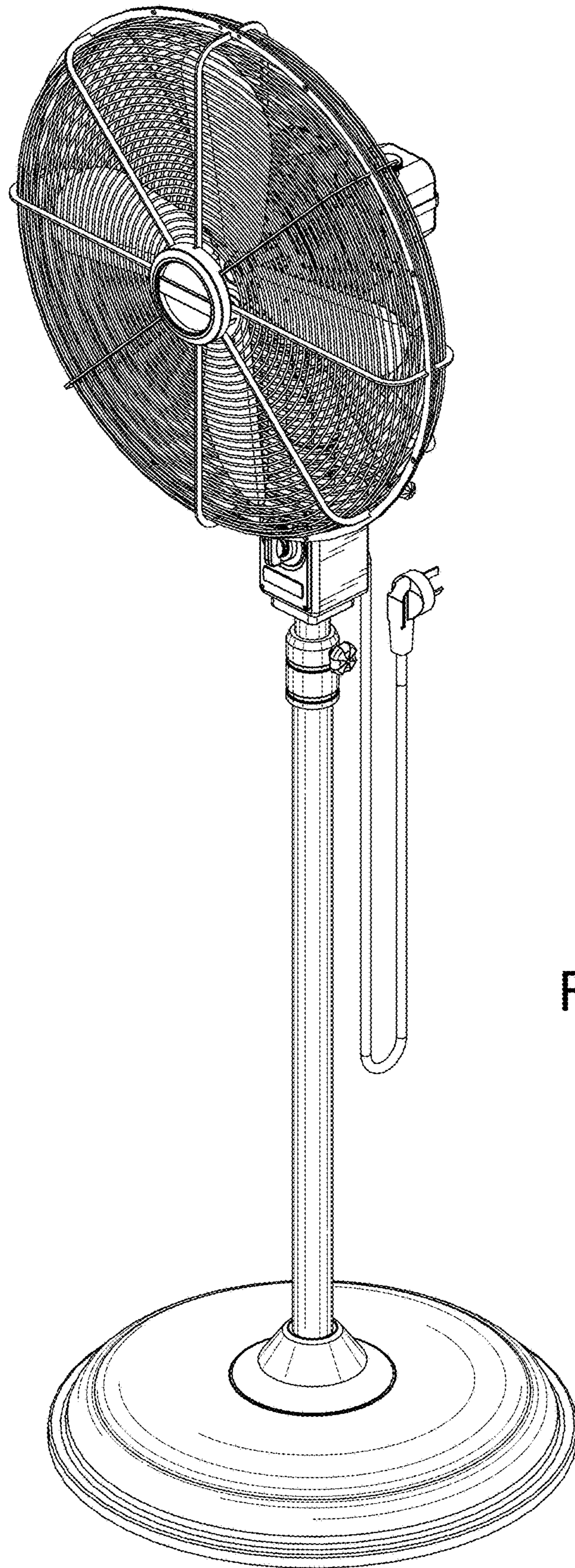


FIG. 1

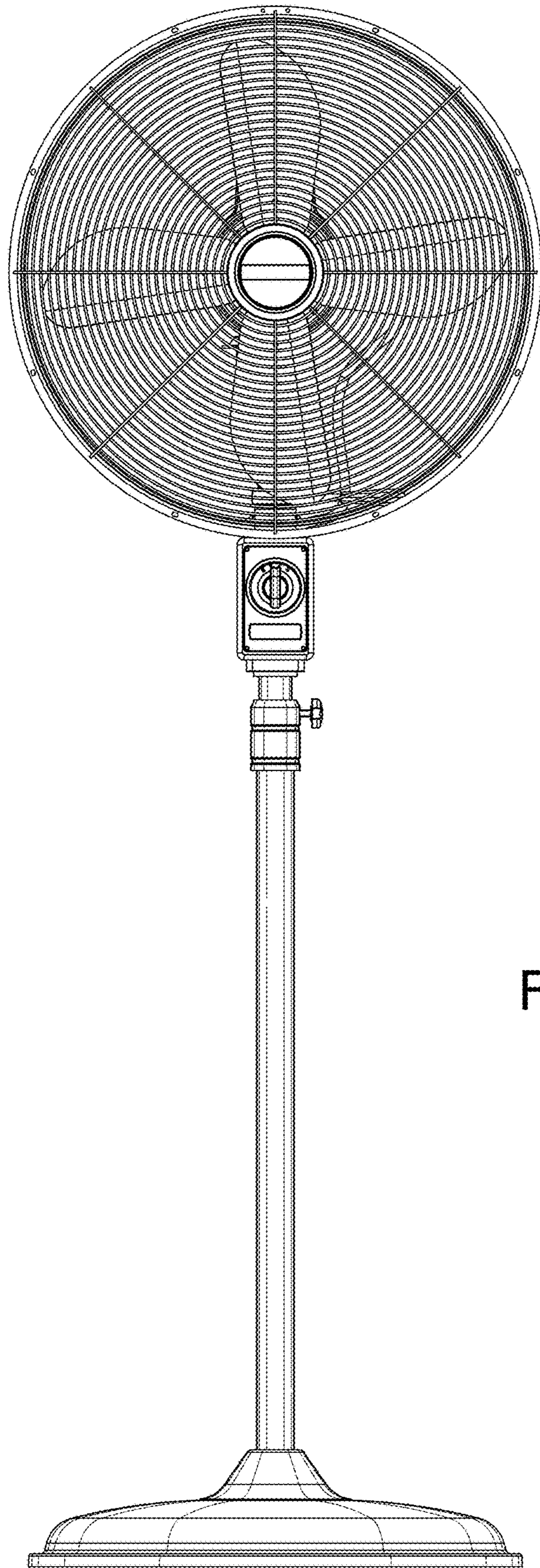


FIG. 2

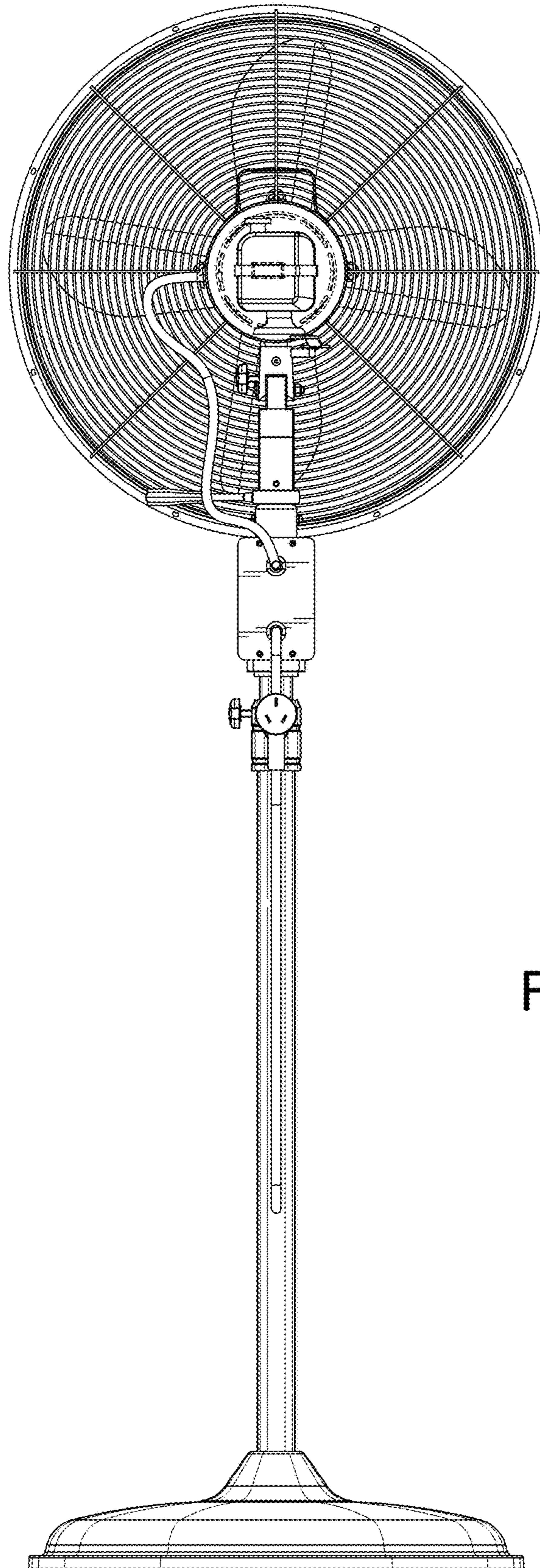


FIG. 3

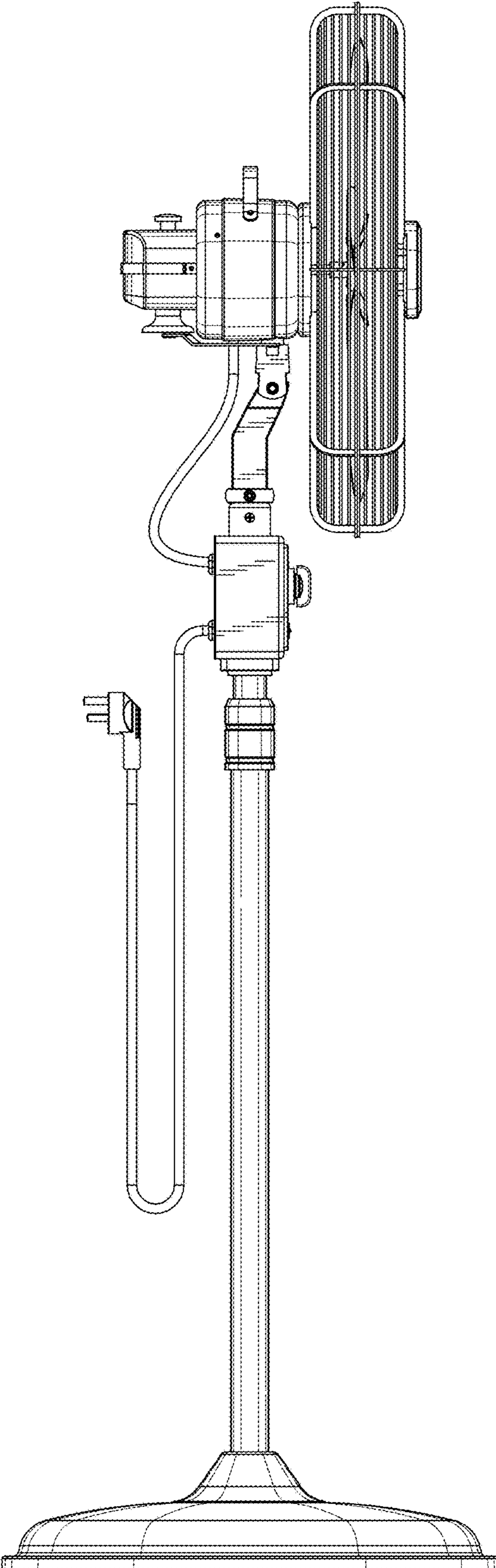


FIG. 4

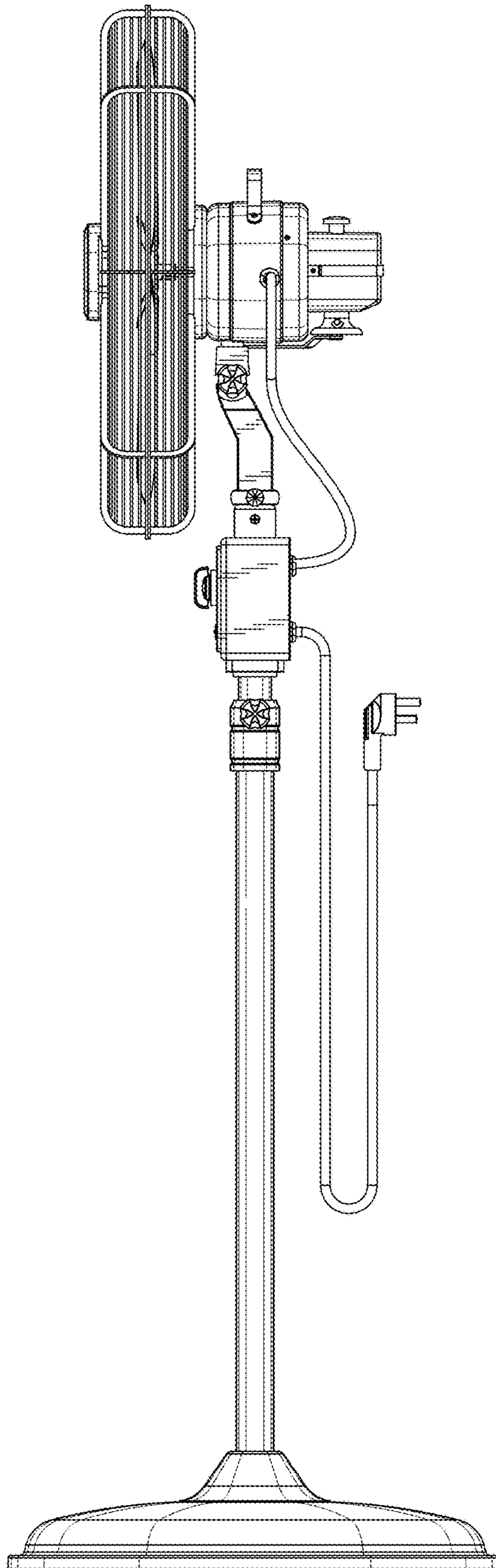


FIG. 5

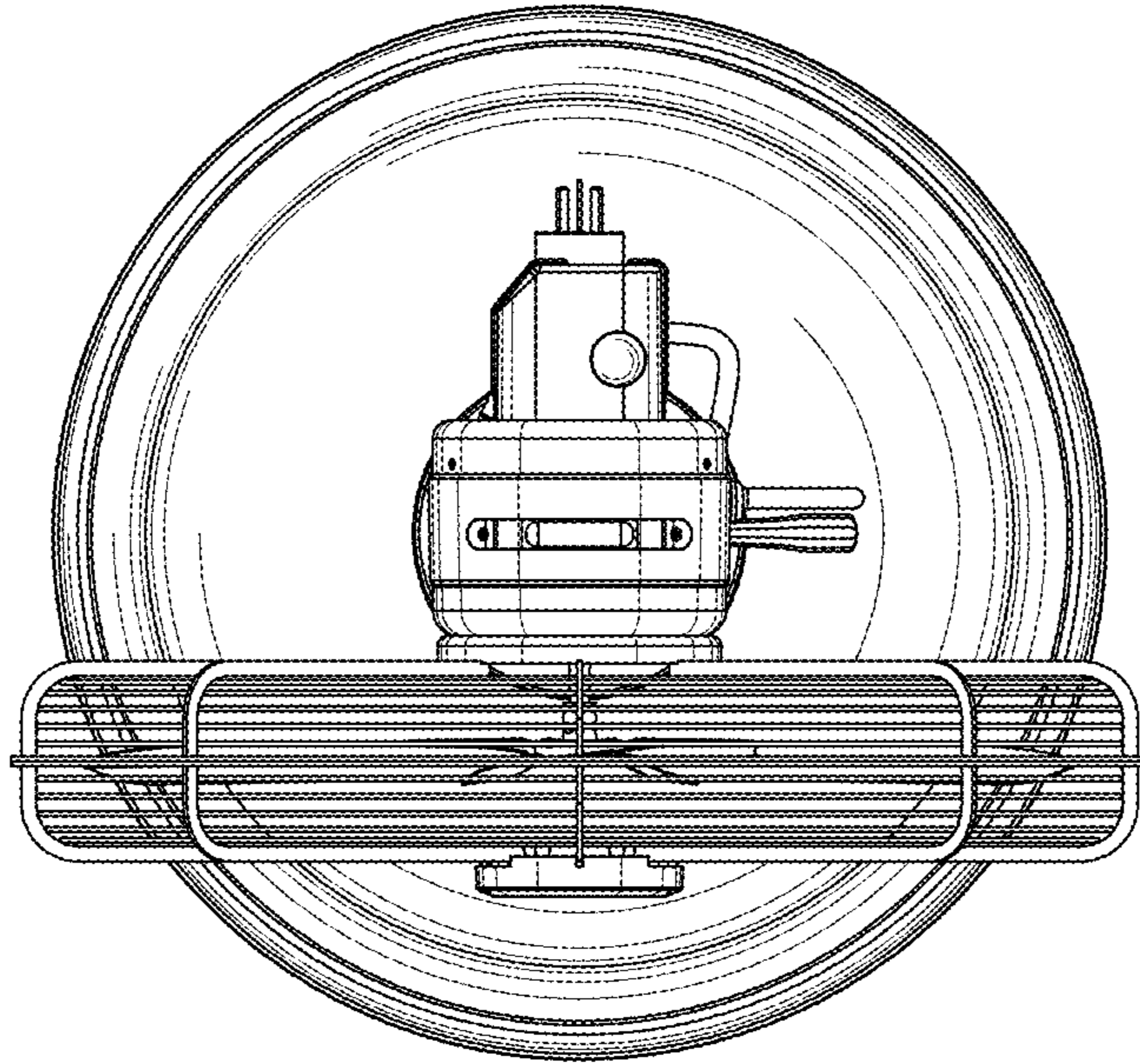


FIG. 6

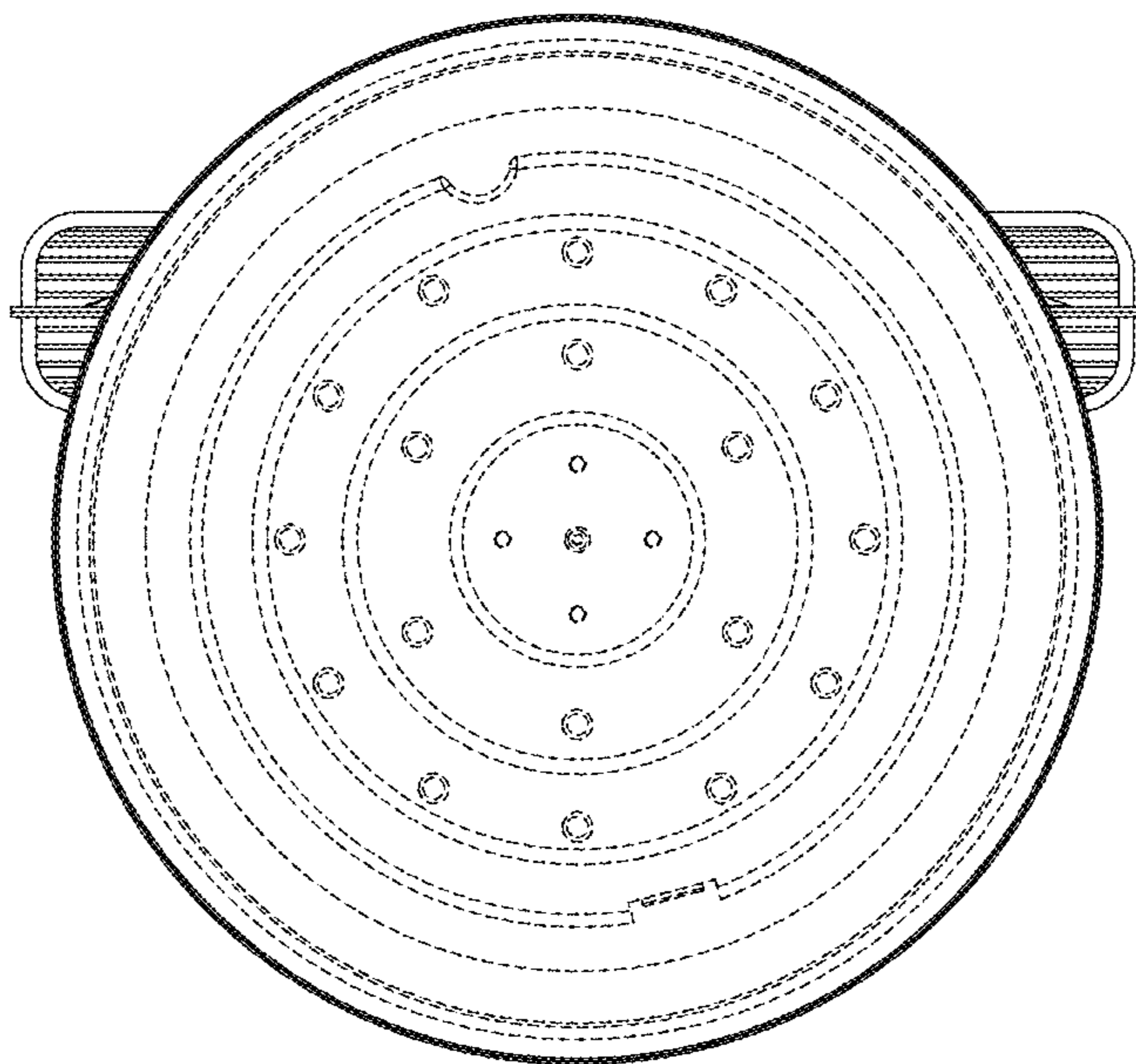


FIG. 7