



US00D804641S

(12) **United States Design Patent** (10) **Patent No.:** **US D804,641 S**
McRoberts et al. (45) **Date of Patent:** **** Dec. 5, 2017**

- (54) **CEILING FAN**
- (71) Applicant: **HUNTER FAN COMPANY**,
Memphis, TN (US)
- (72) Inventors: **Claire Bernice McRoberts**, Memphis,
TN (US); **Stephen David Michael**
Jones, Sandy Springs, GA (US)
- (73) Assignee: **Hunter Fan Company**, Memphis, TN
(US)
- (**) Term: **15 Years**
- (21) Appl. No.: **29/582,747**
- (22) Filed: **Oct. 31, 2016**
- (51) **LOC (10) Cl.** **23-04**
- (52) **U.S. Cl.**
USPC **D23/377; D23/385**
- (58) **Field of Classification Search**
USPC **D23/370, 377, 379, 385, 411; D26/59**
CPC **F04D 25/088; F21V 33/0096**
See application file for complete search history.

- D551,335 S * 9/2007 Gajewski D23/377
- D572,814 S * 7/2008 Bucher D23/377
- D598,999 S * 8/2009 Hidalgo D23/377
- D599,003 S * 8/2009 Hidalgo D23/411
- D599,459 S * 9/2009 Hidalgo D23/377
- D618,786 S * 6/2010 Hidalgo D23/411
- D619,238 S * 7/2010 Hidalgo D23/377
- D632,381 S * 2/2011 Davenport D23/377
- D706,410 S 6/2014 Pan
- D707,336 S 6/2014 Pan

(Continued)

OTHER PUBLICATIONS

<http://www.montecarlofans.com/28203/52-Muirfield-Fan---Polished-Nickel-3MUR52PND.html>, Item Specification for 52" Muirfield Fan—Polished Nickel, Accessed Oct. 25, 2016.

(Continued)

Primary Examiner — Janice Hallmark

(74) *Attorney, Agent, or Firm* — McGarry Bair PC

(57) **CLAIM**

The ornamental design for a ceiling fan, as shown and described.

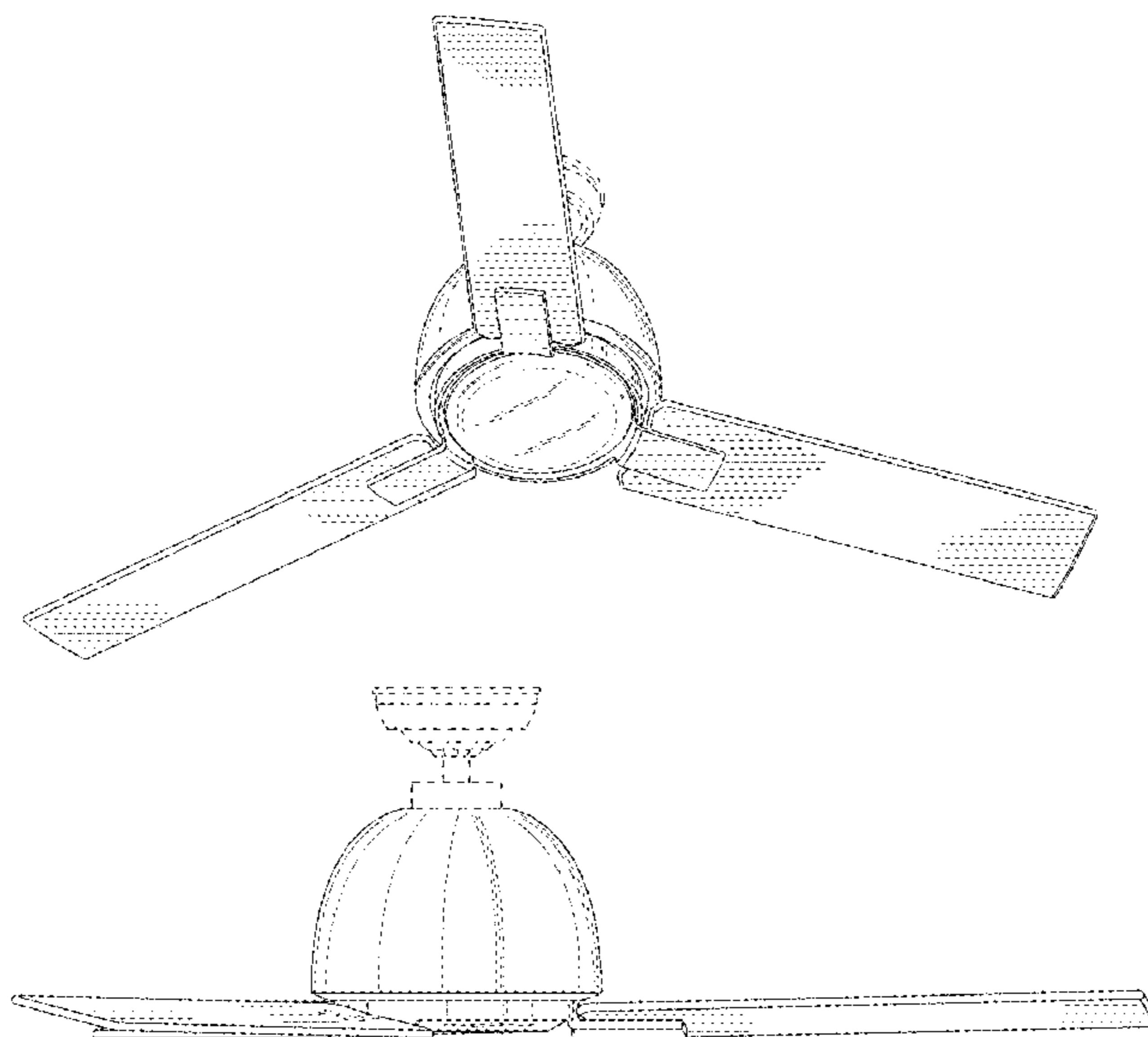
DESCRIPTION

FIG. 1 is a top perspective view of a ceiling fan showing my new design;
FIG. 2 is a bottom perspective view of the ceiling fan of FIG. 1;
FIG. 3 is a top view of the ceiling fan of FIG. 1;
FIG. 4 is a bottom view of the ceiling fan of FIG. 1;
FIG. 5 is a right side view of the ceiling fan of FIG. 1;
FIG. 6 is a rear side view of the ceiling fan of FIG. 1;
FIG. 7 is a left side view of the ceiling fan of FIG. 1; and,
FIG. 8 is a front side view of the ceiling fan of FIG. 1.
Portions of the ceiling fan shown in broken lines form no part of the claimed design.

1 Claim, 8 Drawing Sheets

(56) **References Cited**
U.S. PATENT DOCUMENTS

- D298,052 S * 10/1988 Sonneman D23/377
- D328,951 S 8/1992 Scofield et al.
- D331,101 S 11/1992 Rezek
- D342,311 S 12/1993 Rezek
- D373,185 S * 8/1996 Tseng D23/377
- D421,797 S * 3/2000 Collmar D23/377
- D453,563 S * 2/2002 Bogazzi D23/377
- D475,782 S 6/2003 Hidalgo
- D477,396 S * 7/2003 Campbell D23/411
- D477,397 S 7/2003 Chen
- D488,554 S * 4/2004 Bacon D23/411
- D505,196 S 5/2005 Bacon et al.
- D527,097 S 8/2006 Ertze
- D549,315 S * 8/2007 Gajewski D23/377
- D549,814 S * 8/2007 Gajewski D23/377



(56)

References Cited

U.S. PATENT DOCUMENTS

D739,001 S * 9/2015 Crisa' D23/372
 2008/0286105 A1 * 11/2008 Gajewski F24F 7/007
 416/155

OTHER PUBLICATIONS

<http://www.kichler.com/products/product/52-inch-vassar-ceiling-fan-n1-300175ni.aspx>, Item Specification for 52" Vassar ceiling Fan NI, Accessed Oct. 25, 2016.
<http://ceilingfans.emerson.com/shop/en/fan/fan-s-all/fans-s-browse-all/52-curved-fan-p-cf252>, Item Specification for 52" Curva, Accessed Oct. 25, 2016.
<http://www.quoruminternational.com/index.cfm/app/productDetail?product=21542-14>, Item Specification for Muse Chrome Ceiling Fan, Accessed Oct. 25, 2016.
<http://www.hunterfan.com/Ceiling-Fans/Leoni?ModelNumber=59220>, Item Specification for Leoni—48" Ceiling Fan, Accessed Oct. 26, 2016.
<http://www.casablancafanco.com/Ceiling-Fans/Aris?ModelNumber=59123>, Item Specification for Aris 54" Ceiling Fan, Accessed Oct. 26, 2016.
<http://www.fanimation.com/products/index.php/blades/18-inch-inlet-composite-blade-set.html>, Item Specification for Fanimation 18" Inlet Composite Blade Set, Accessed Oct. 26, 2016.
<http://www.hunterfan.com/Ceiling-FansNVindemere?ModelNumber=59039>, Item Specification for Windemere—54" ceiling Fan, Accessed Oct. 26, 2016.

<http://www.hunterfan.com/Ceiling-Fans/Acadia?ModelNumber=59171>, Item Specification for Acadia—46" Ceiling Fan, Accessed Oct. 26, 2016.
<http://www.craftmade.com/Craftmade-FA52BN5-Nickel-Ceiling-Fan.HTM>, Item Specification for Craftmade 5th Avenue, Accessed Oct. 26, 2016.
<http://www.quoruminternational.com/index.cfm/app/productDetail?product=42523-86>, Item Specification for Bronx Ob—Oiled Bronze Ceiling Fan, Accessed Oct. 26, 2016.
<http://www.craftmade.com/Craftmade-PU52SS5-Stainless-Steel-Ceiling-Fan.HTM>, Item Specification for Craftmade Pulsar Stainless Steel Finish, Accessed Oct. 26, 2016.
http://www.cens.com/cens/html/en/product/product_main_77131.html, Item Specification for Pluto-iFan Series, Accessed Oct. 26, 2016.
<http://www.houzz.com/photos/11393084/Kichler-300121OBB-46-Inch-Eva-Fan-transitional-ceiling-fans>, Item Specification for Kichler 300121OBB 46" Eva Fan, Accessed Oct. 26, 2016.
<http://www.minkagroup.net/minka-aire/fans>, Item Specification for Minka Aire Java 54" Ceiling Fan in Brushed Nickel, Accessed Oct. 26, 2016.
<http://www.fanimation.com/products/index.php/blades/60-inch-buttonwood-blade-set-351.html>, Item Specification for Fanimation 60-Inch Distinction Buttonwood Blade Set, Accessed Oct. 26, 2016.
<http://www.casablancafanco.com/Ceiling-FansNerse?ModelNumber=59160>, Item Specification for Casablanca Verse 54" Ceiling Fan, Accessed Oct. 26, 2016.
<http://www.kichler.com/products/product/52-inch-lacey-ceiling-fan-oz-300181oz.aspx>, Item Specification for Kichler 52" Lacey Ceiling Fan OZ, Accessed Oct. 26, 2016.

* cited by examiner

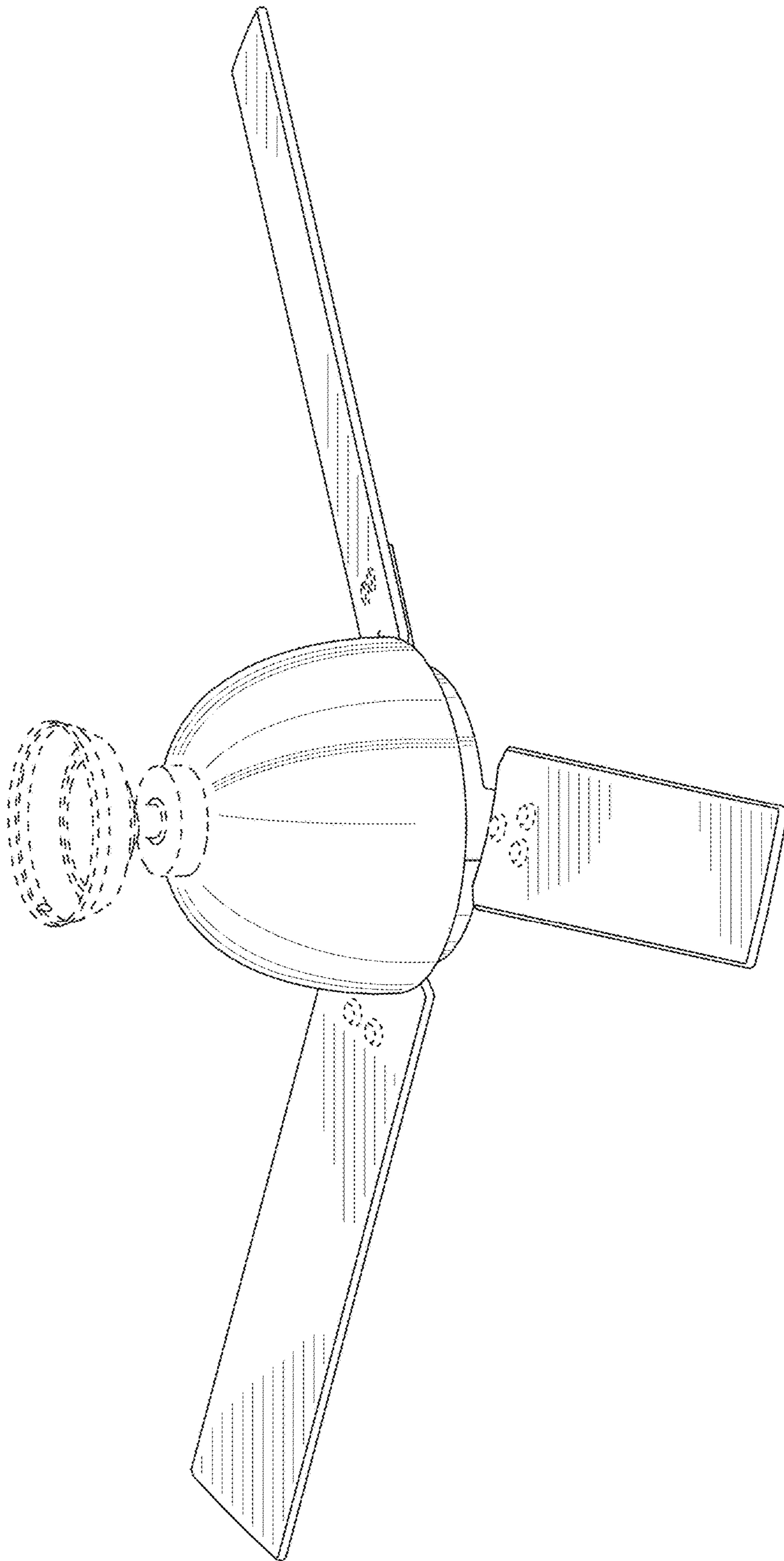


FIG. 1

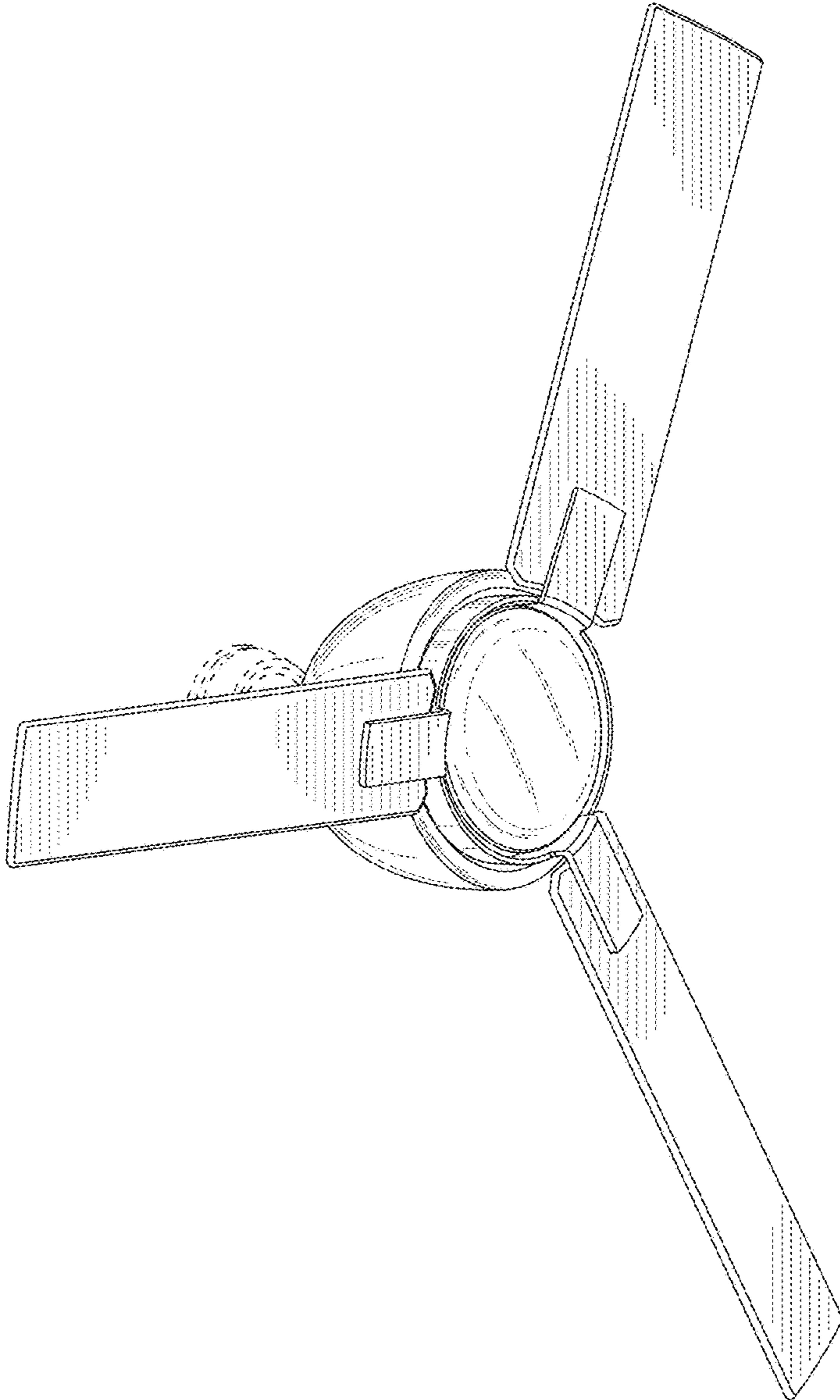


FIG. 2

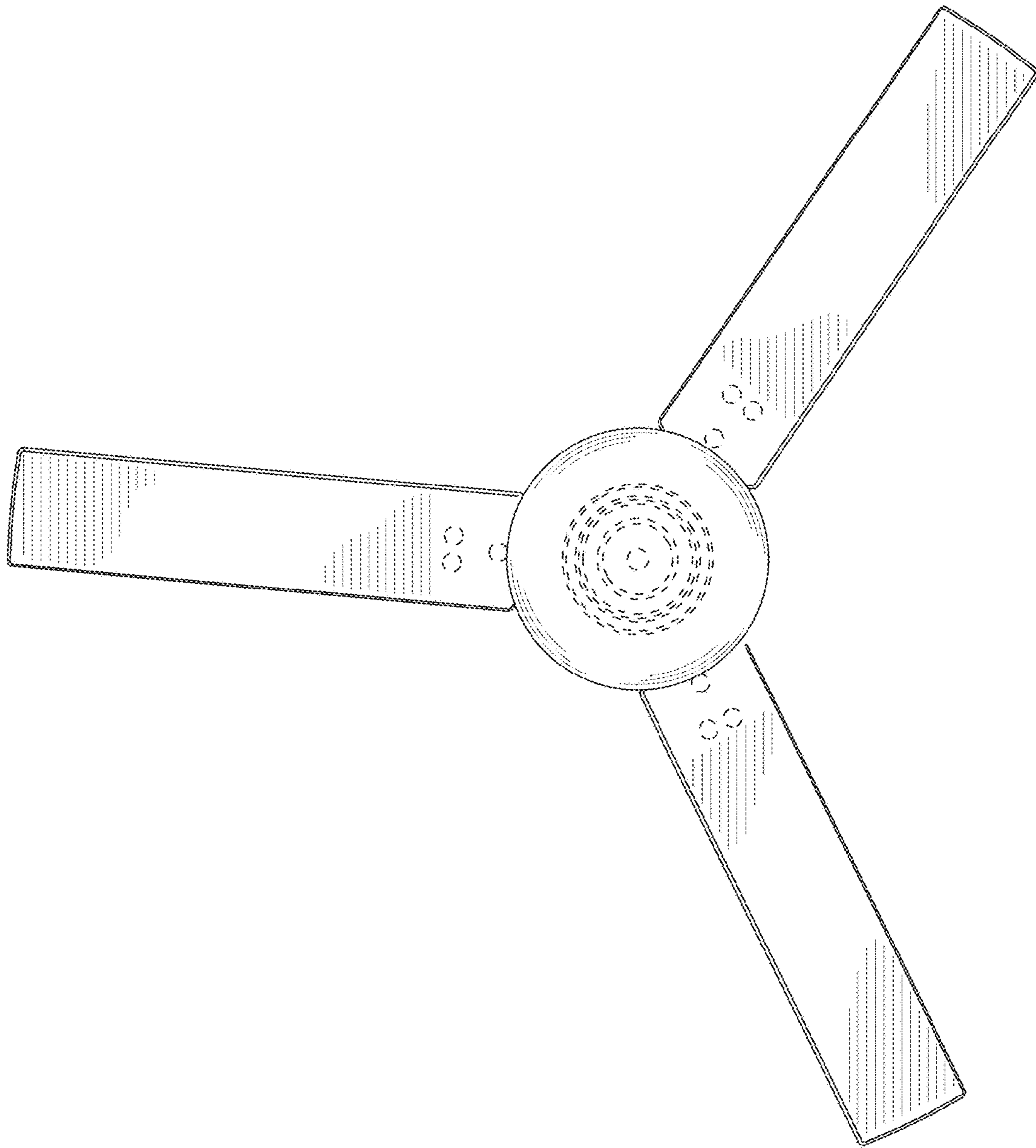


FIG. 3

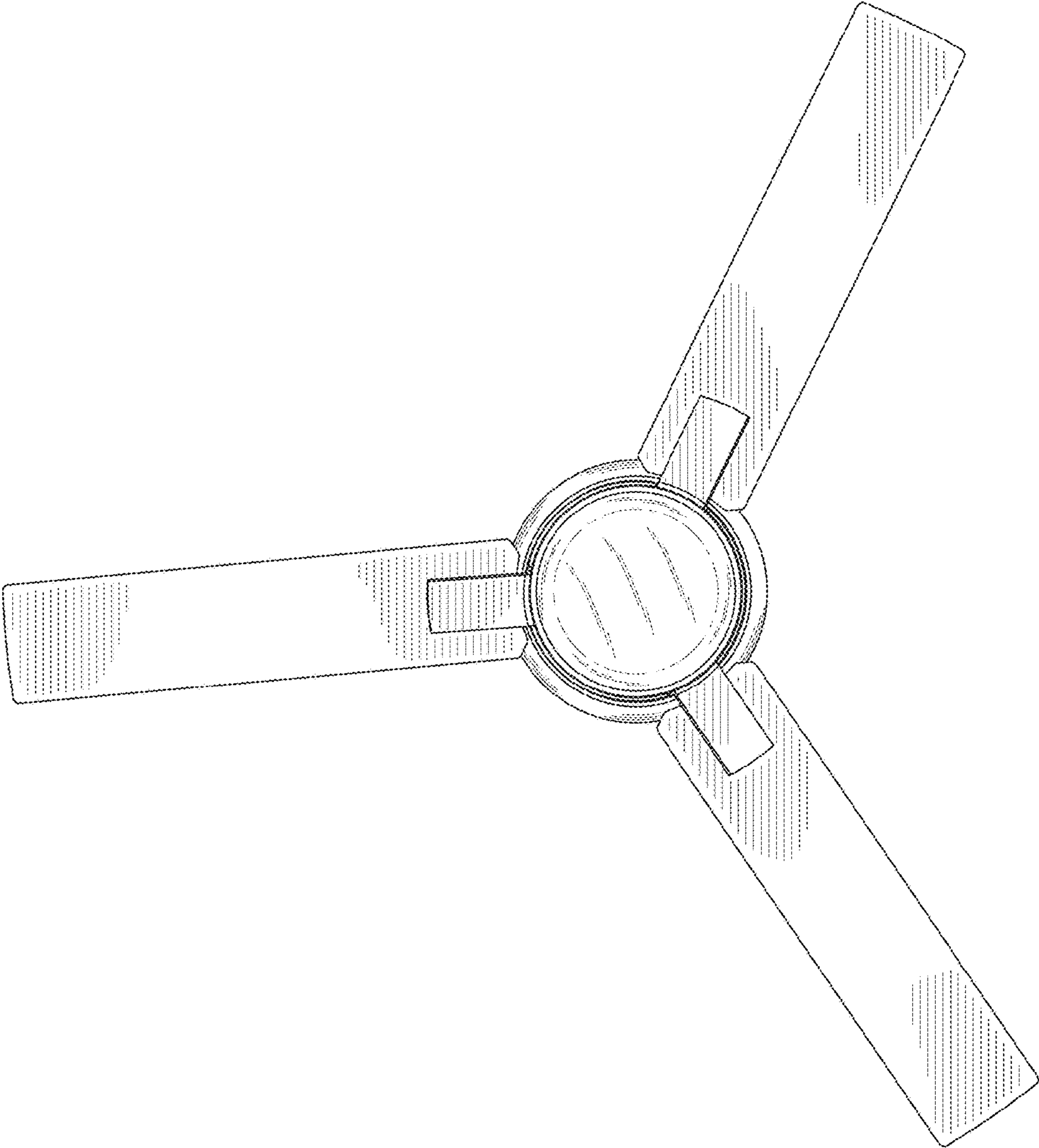


FIG. 4

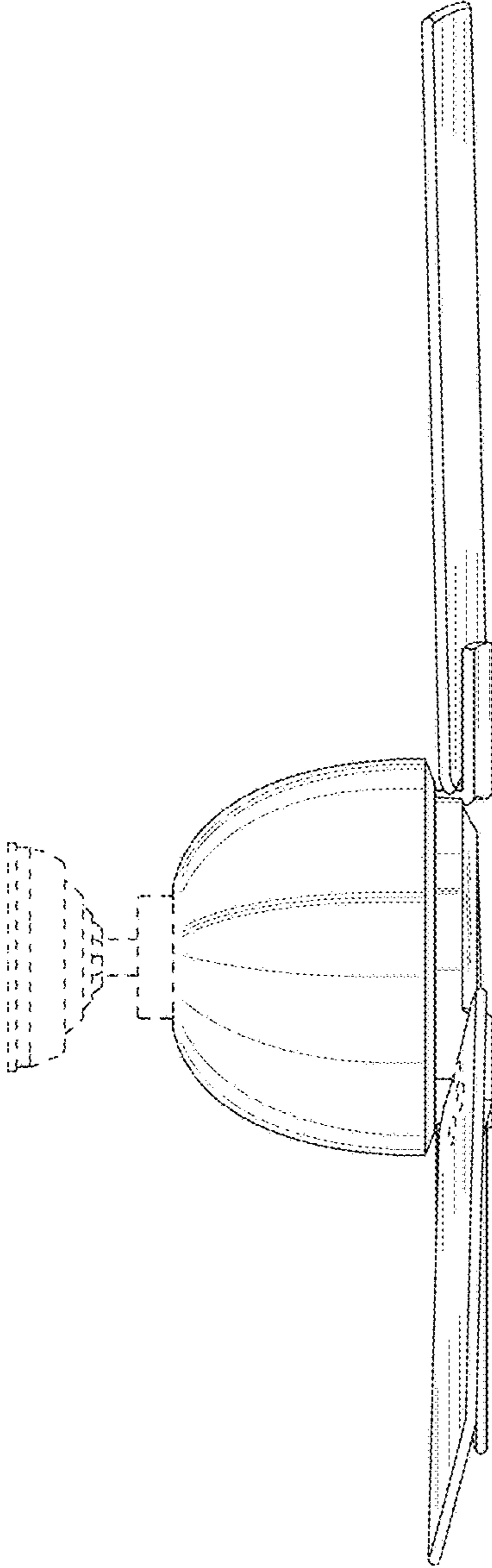


FIG. 5

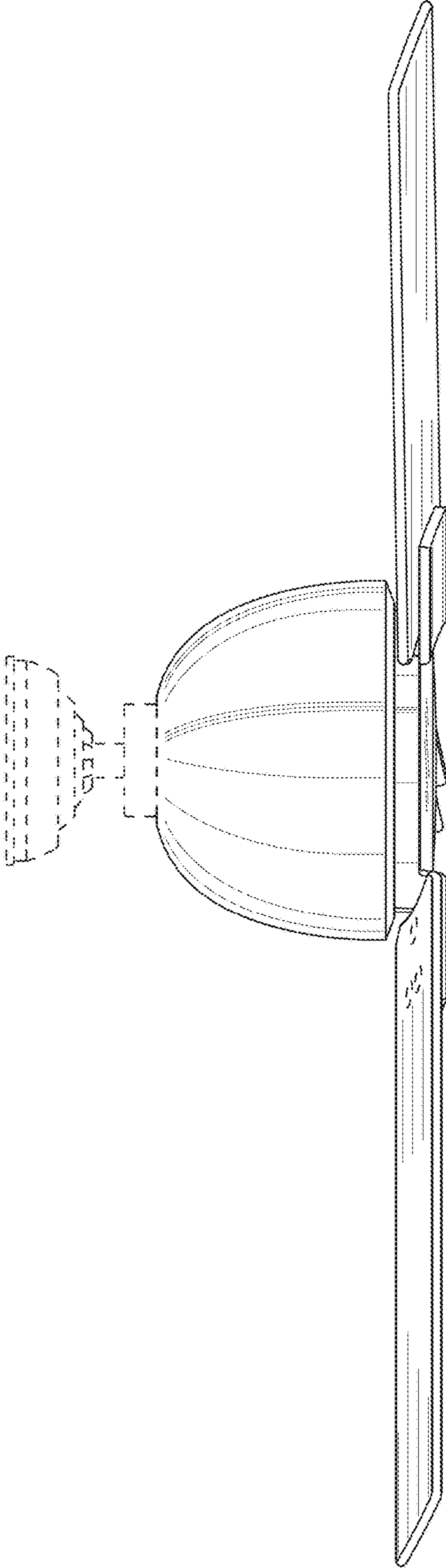


FIG. 6

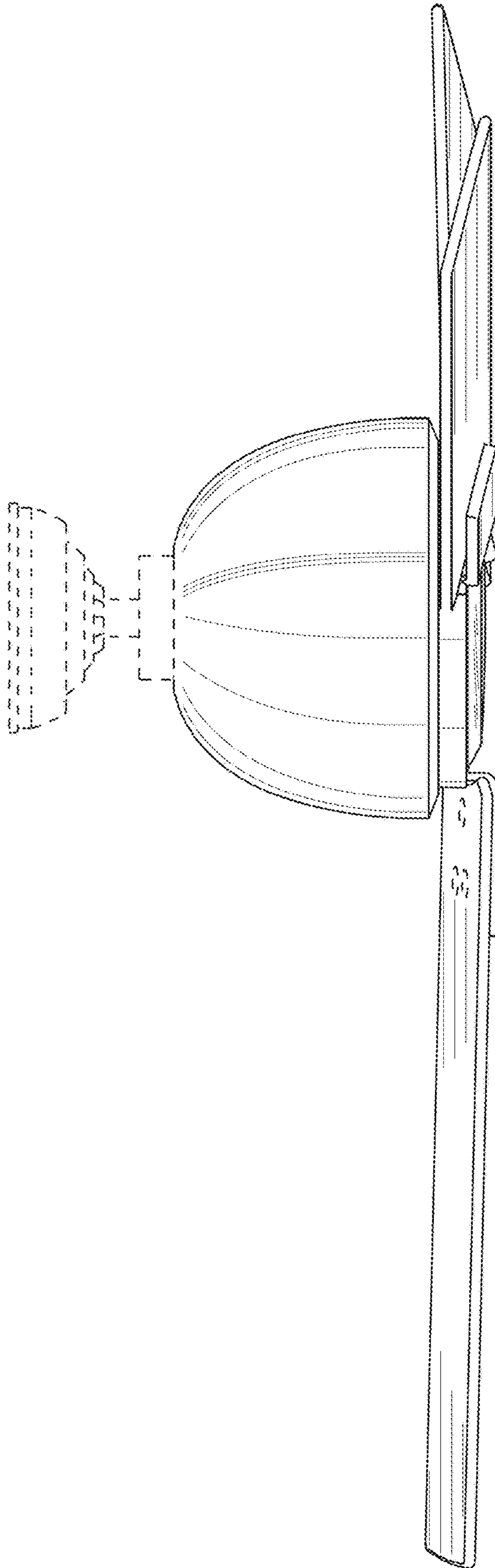


FIG. 7

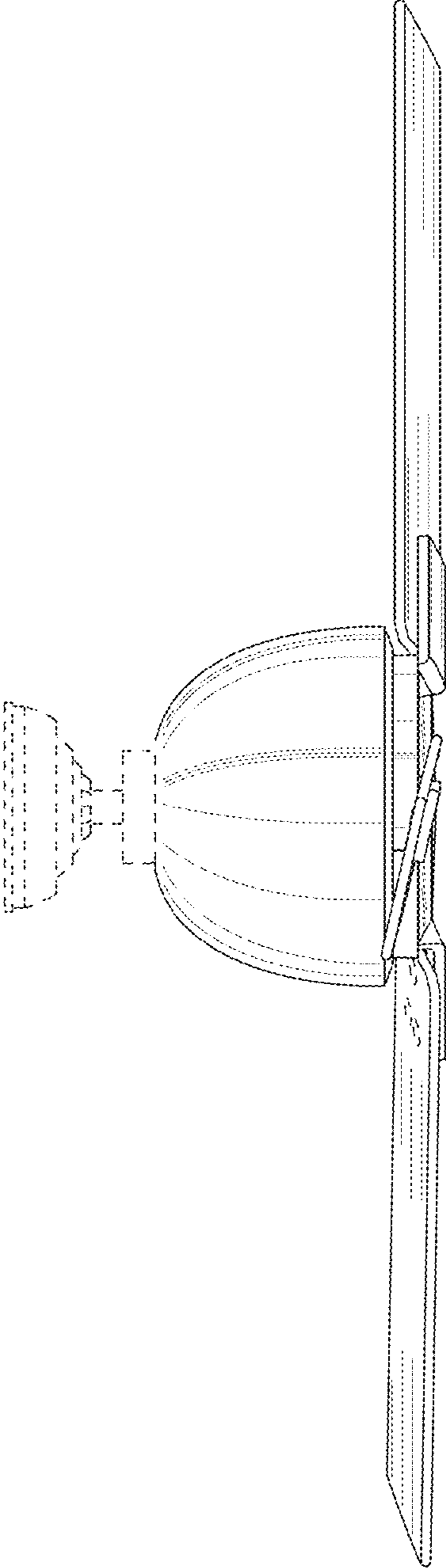


FIG. 8