



US00D804640S

(12) **United States Design Patent** (10) **Patent No.:** **US D804,640 S**
Haggar et al. (45) **Date of Patent:** **** Dec. 5, 2017**

(54) **CEILING FAN**
(71) Applicant: **HUNTER FAN COMPANY**,
Memphis, TN (US)
(72) Inventors: **Alexander Jonathan Haggar**,
Memphis, TN (US); **Claire Bernice**
McRoberts, Memphis, TN (US)
(73) Assignee: **Hunter Fan Company**, Memphis, TN
(US)
(**) Term: **15 Years**
(21) Appl. No.: **29/582,746**
(22) Filed: **Oct. 31, 2016**
(51) **LOC (10) Cl.** **23-04**
(52) **U.S. Cl.**
USPC **D23/377; D23/385**
(58) **Field of Classification Search**
USPC D23/370, 377, 379, 385, 411; D26/59
CPC F04D 25/088; F21V 33/0096
See application file for complete search history.

D525,696 S * 7/2006 Ertze D23/377
D529,163 S * 9/2006 Young D23/377
D627,050 S 11/2010 Pan
D627,051 S 11/2010 Pan
D633,611 S * 3/2011 Pan D23/377
D671,631 S 11/2012 Searle
D760,368 S 6/2016 Chen

OTHER PUBLICATIONS

<http://www.kichler.com/products/product/52-inch-kittery-point-fan-pn-300020pn.aspx>, Item Specification for 52" Kittery Point Fan PN, Accessed Oct. 25, 2016.
<http://www.kichler.com/products/product/56-inch-hatteras-bay-fan-obb-300018obb.aspx>, Item Specification for 56" Hatteras Bay Fan OBB, Accessed Oct. 25, 2016.
<http://www.homedepot.com/p/Hampton-Bay-Marlton-52-in-Oil-Rubbed-Bronze-Ceiling-Fan-YG305-ORB/202549795>, Item Specification for Marlton 52" Oil-Rubbed Bronze Ceiling Fan, Accessed Oct. 25, 2016.

(Continued)

Primary Examiner — Janice Hallmark
(74) *Attorney, Agent, or Firm* — McGarry Bair PC

(57) **CLAIM**

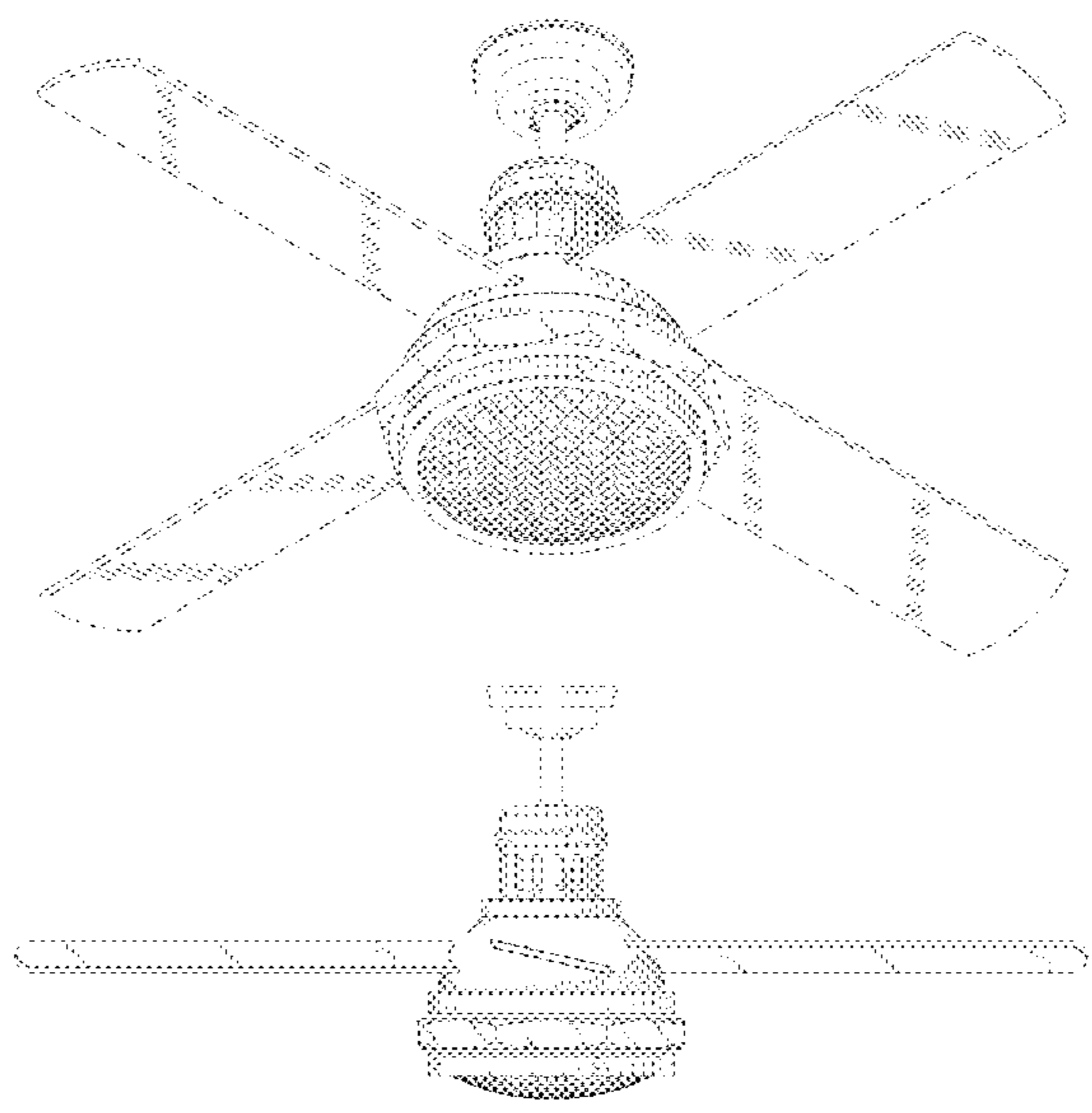
The ornamental design for a ceiling fan, as shown and described.

DESCRIPTION

FIG. 1 is a top perspective view of a ceiling fan showing my new design;
FIG. 2 is a bottom perspective view of the ceiling fan of FIG. 1;
FIG. 3 is a side view of the ceiling fan of FIG. 1;
FIG. 4 is a bottom view of the ceiling fan of FIG. 1; and,
FIG. 5 is a top view of the ceiling fan of FIG. 1.
Portions of the ceiling fan shown in broken lines form no part of the claimed design.

1 Claim, 5 Drawing Sheets

(56) **References Cited**
U.S. PATENT DOCUMENTS
4,073,598 A * 2/1978 Mizutani F04D 25/0613
416/170 R
D356,176 S 3/1995 Tsuji
D363,540 S 10/1995 Yen
D383,528 S * 9/1997 Collmar D23/377
D414,860 S 10/1999 Thomas, Jr.
D430,280 S 8/2000 Huang
D451,995 S 12/2001 Liu
D476,406 S 6/2003 Friedes
D476,411 S * 6/2003 Friedes D23/411
D476,728 S 7/2003 Gajewski
D479,872 S * 9/2003 Young D23/377
D482,436 S * 11/2003 Young D23/377
D510,622 S 10/2005 Tai
D519,661 S 4/2006 Young



(56)

References Cited

OTHER PUBLICATIONS

<http://www.kichler.com/products/product/52-inch-harbour-walk-patio-fan-gst-310102gst.aspx>, Item Specification for 52" Harbour Walk Patio Fan GST, Accessed Oct. 25, 2016.

<http://www.homedepot.com/p/Hampton-Bay-Valle-Paraiso-52-in-Oil-Rubbed-Bronze-Ceiling-Fan-14036/202050936>, Item Specification for Valle Paraiso 52" Oil-Rubbed Bronze Ceiling Fan, Accessed Oct. 25, 2016.

<http://www.minkagroup.net/products/f582-orb>, Item Specification for 52" 5 Blades in Oil Rubbed Bronze Finish w/ Taupe Blades Integrated Light w/Vintage Amber Glass, Accessed Oct. 25, 2016.

<https://www.snapdeal.com/product/crompton-greaves-taurus-1200-mm/934189695>, Item Specification for Crompton Greaves Taurus 1200 mm Ceiling Fan Copper, Accessed Oct. 25, 2016.

* cited by examiner

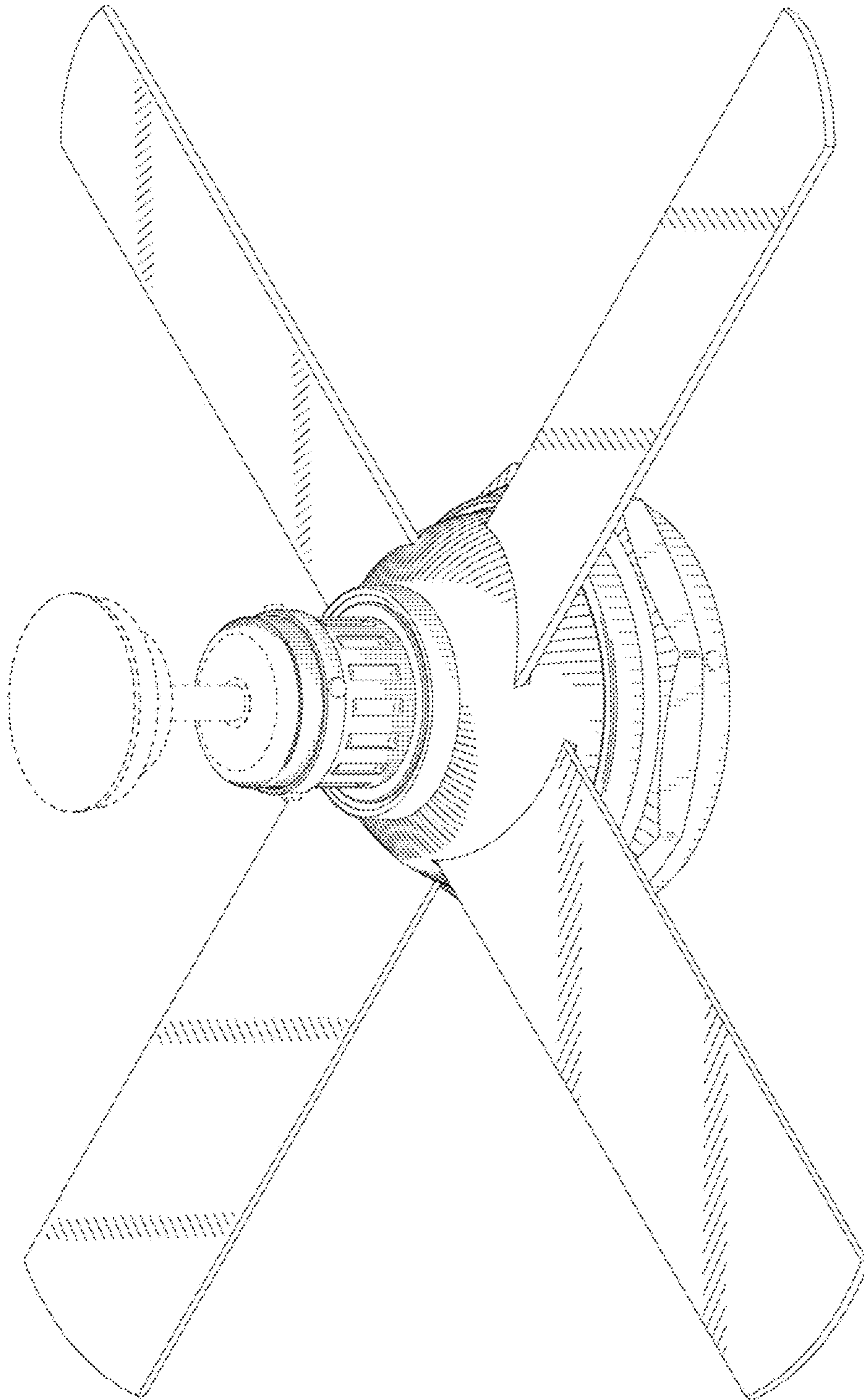


FIG.1

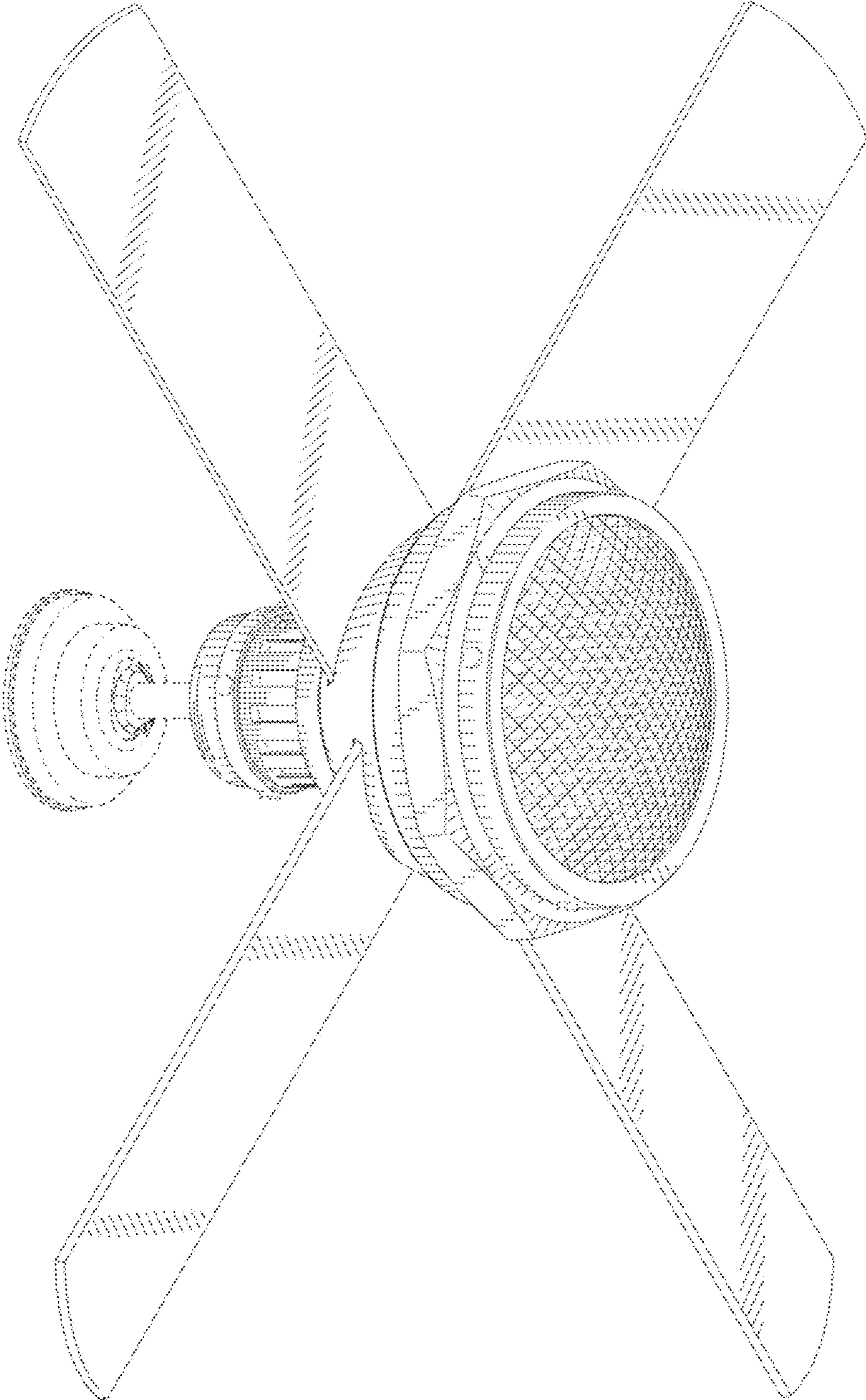


FIG.2

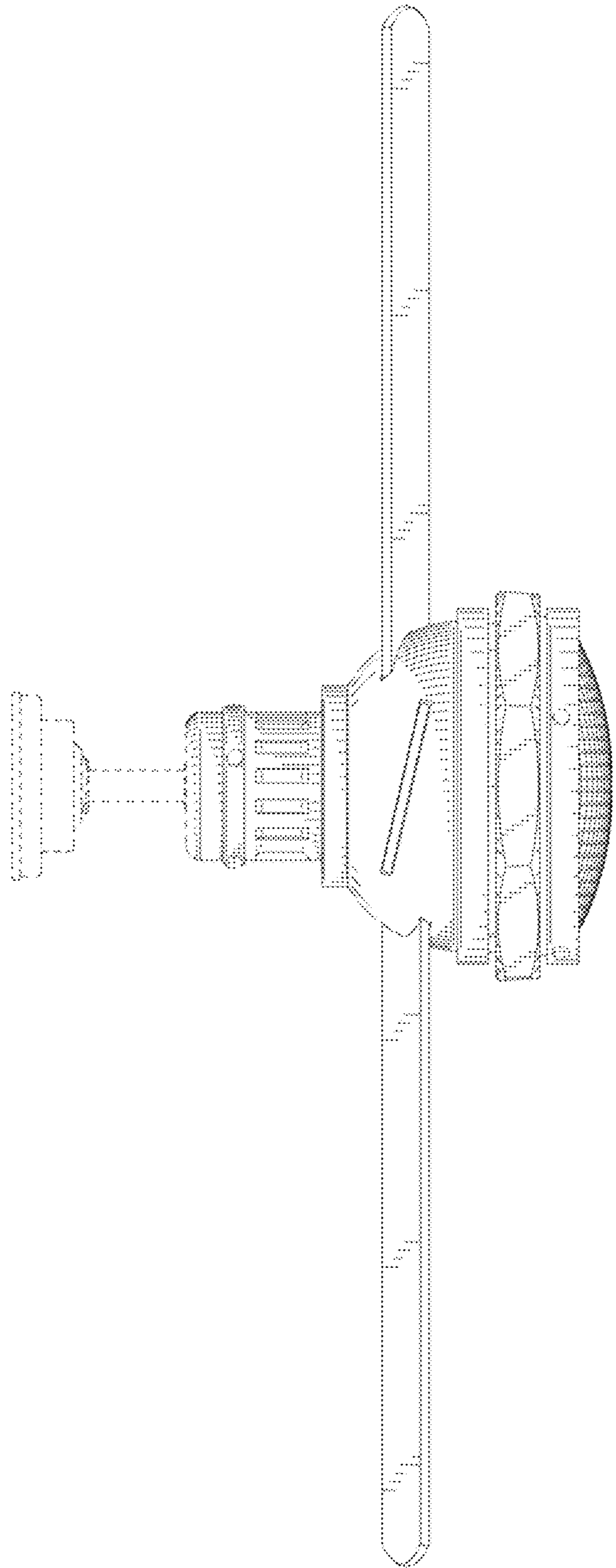


FIG. 3

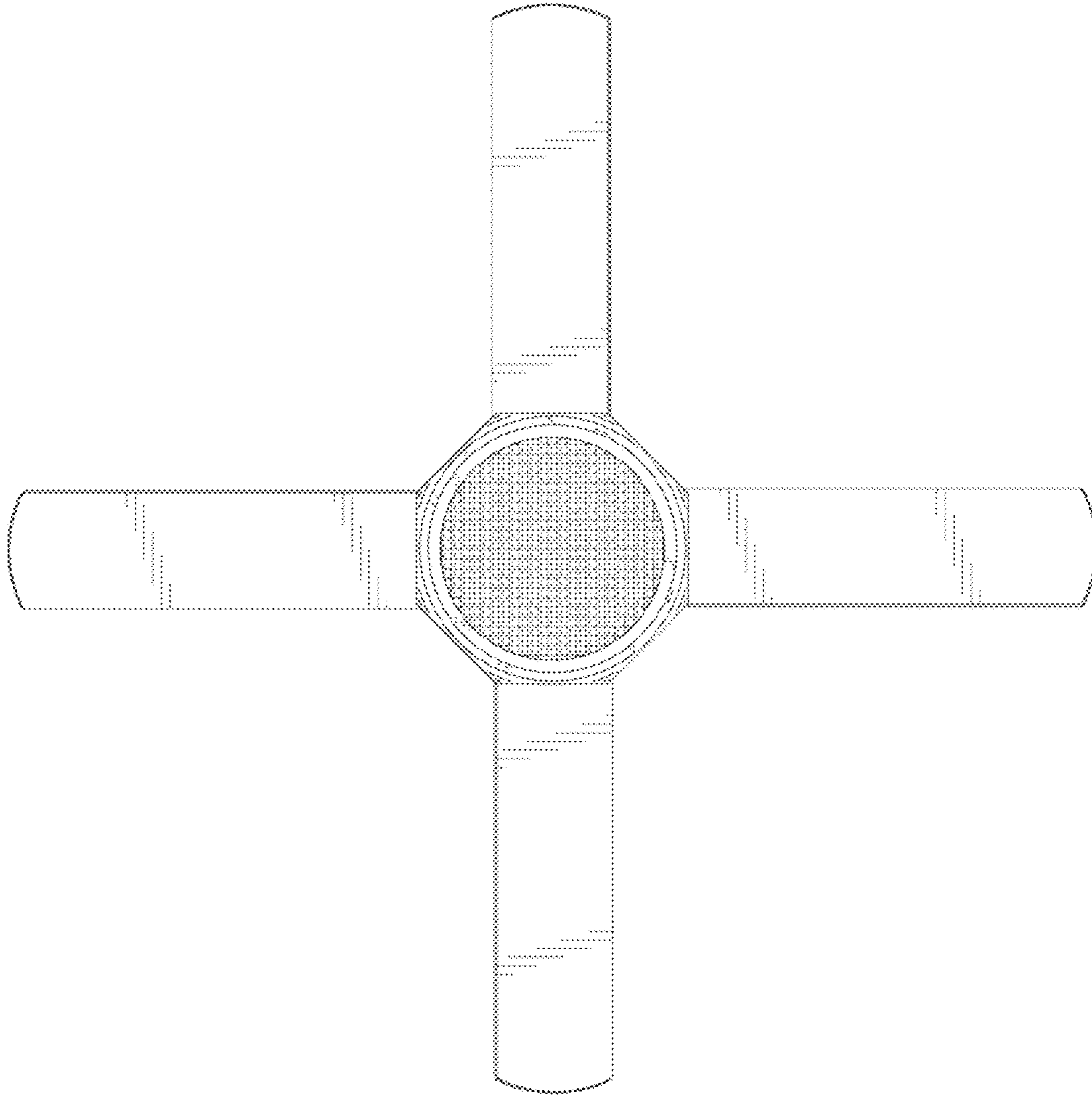


FIG.4

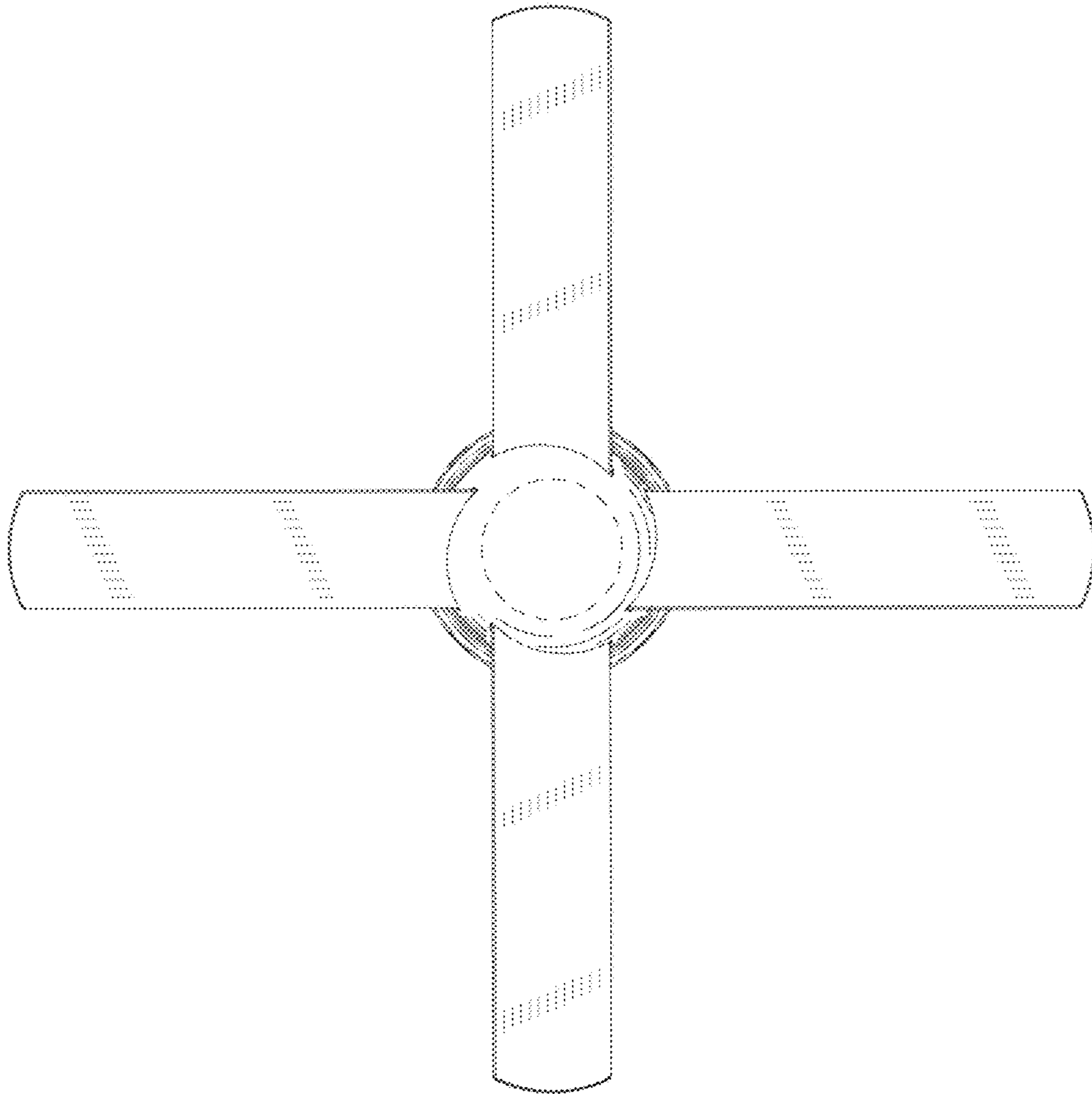


FIG.5