



US00D804639S

(12) **United States Design Patent** (10) **Patent No.:** **US D804,639 S**  
**Guthrie** (45) **Date of Patent:** **\*\* Dec. 5, 2017**

(54) **CEILING FAN**  
(71) Applicant: **HUNTER FAN COMPANY**,  
Memphis, TN (US)  
(72) Inventor: **Benjamin Scotti Guthrie**,  
Germantown, TN (US)  
(73) Assignee: **Hunter Fan Company**, Memphis, TN  
(US)  
(\*\*) Term: **15 Years**  
(21) Appl. No.: **29/558,301**  
(22) Filed: **Mar. 16, 2016**  
(51) **LOC (10) Cl.** ..... **23-04**  
(52) **U.S. Cl.**  
USPC ..... **D23/377**; D26/59  
(58) **Field of Classification Search**  
USPC ..... D23/355, 370-376, 378-387, 412, 414,  
D23/377, 411, 413; D26/59; D12/214  
CPC ..... F04D 25/088; F21V 33/0096  
See application file for complete search history.

D627,456 S \* 11/2010 Glasbrenner ..... D23/411  
D628,688 S \* 12/2010 Pan ..... D23/377  
D632,381 S 2/2011 Davenport  
(Continued)

**FOREIGN PATENT DOCUMENTS**

IN 256845 S1 3/2014

**OTHER PUBLICATIONS**

Hunter Mercado 50 in. Indoor Brushed Nickel Ceiling Fan, date first available Oct. 20, 2016, amazon.com, site visited Aug. 14, 2017, Copyright © 1996-2017, Available from Internet, [https://www.amazon.com/Hunter-Mercado-Indoor-Brushed-Ceiling/dp/B01FD1TYRA/ref=sr\\_1\\_1?ie=UTF8&qid=1502732678&sr=8-1&keywords=hunter+ceiling+f.\\*](https://www.amazon.com/Hunter-Mercado-Indoor-Brushed-Ceiling/dp/B01FD1TYRA/ref=sr_1_1?ie=UTF8&qid=1502732678&sr=8-1&keywords=hunter+ceiling+f.*)

(Continued)

*Primary Examiner* — Cathron C Brooks  
*Assistant Examiner* — Sharon S Oum  
(74) *Attorney, Agent, or Firm* — McGarry Bair PC

(57) **CLAIM**

The ornamental design for a ceiling fan, as shown and described.

**DESCRIPTION**

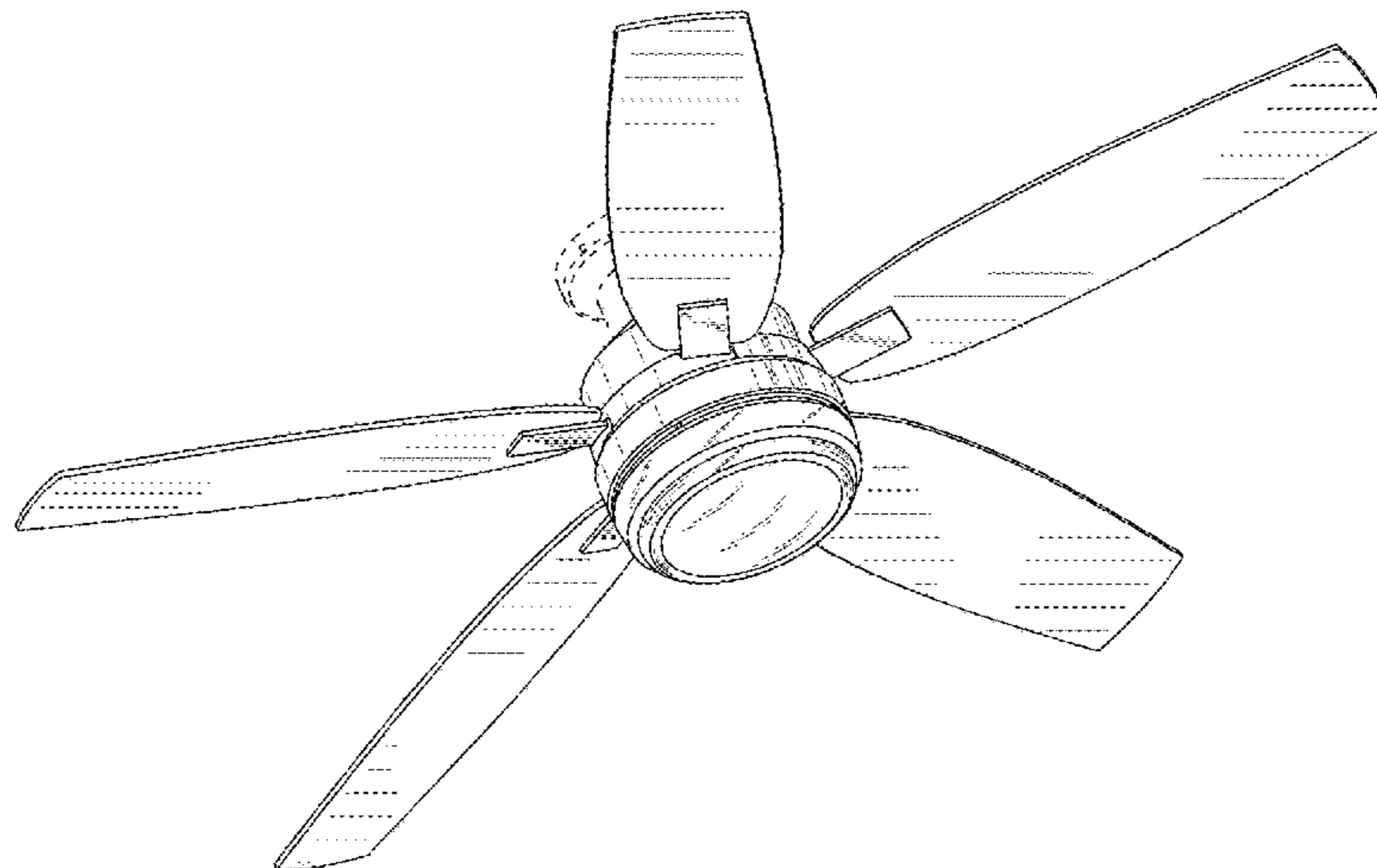
FIG. 1 is a top perspective view of a ceiling fan showing my new design;  
FIG. 2 is a bottom perspective view of the ceiling fan of FIG. 1;  
FIG. 3 is a top view of the ceiling fan of FIG. 1;  
FIG. 4 is a bottom view of the ceiling fan of FIG. 1;  
FIG. 5 is a front side view of the ceiling fan of FIG. 1;  
FIG. 6 is a right side view of the ceiling fan of FIG. 1;  
FIG. 7 is a rear side view of the ceiling fan of FIG. 1; and,  
FIG. 8 is a left side view of the ceiling fan of FIG. 1.  
Portions of the ceiling fan shown in broken lines form no part of the claimed design.

**1 Claim, 8 Drawing Sheets**

(56) **References Cited**

**U.S. PATENT DOCUMENTS**

4,073,598 A \* 2/1978 Mizutani ..... F04D 25/0613  
416/170 R  
4,592,702 A \* 6/1986 Bogage ..... F04D 25/088  
310/89  
D314,618 S \* 2/1991 Yen ..... D23/377  
D328,491 S \* 8/1992 Markwardt ..... D23/377  
D372,080 S 7/1996 Dolan  
D389,908 S \* 1/1998 Dolan ..... D23/377  
D393,902 S \* 4/1998 Pickett ..... D23/377  
D453,216 S \* 1/2002 Gajewski ..... D23/377  
D454,633 S \* 3/2002 Young ..... D23/411  
D478,974 S \* 8/2003 Hidalgo ..... D23/377  
D484,964 S \* 1/2004 Young ..... D23/377  
D512,497 S 12/2005 Young  
D594,541 S 6/2009 Pan  
D594,542 S 6/2009 Pan  
D603,955 S \* 11/2009 Patton ..... D23/411



(56)

**References Cited**

U.S. PATENT DOCUMENTS

D671,632 S	11/2012	Davenport	
D704,819 S *	5/2014	Wang .....	D23/411
D706,406 S *	6/2014	Wang .....	D23/385
D707,336 S *	6/2014	Pan .....	D23/377
D714,925 S	10/2014	Pan	
D715,917 S *	10/2014	Hidalgo .....	D23/377
D744,633 S	12/2015	Wang	
D744,634 S *	12/2015	Wang .....	D23/411
D751,187 S *	3/2016	Dolan .....	D23/377
D771,794 S *	11/2016	Wang .....	D23/411
2015/0078906 A1 *	3/2015	Wang .....	F04D 29/34 416/219 R

OTHER PUBLICATIONS

Quorum International 65524-95 Davenport 52-Inch Hugger Ceiling Fan, date first available Jan. 27, 2009, amazon.com, site visited Aug. 14, 2017, Copyright © 1996-2017, Available from Internet, https://

www.amazon.com/Quorum-International-65524-95-Davenport-52-Inch/dp/B007SV5568/ref=sr\_1\_2?s=hi&ie=UTF8&qid=1502728686&sr=1-2&.\*

<http://www.fanimation.com/products/index.php/fans/xeno.html>, Item Specification for the Fanimation Xeno Model No. FP6728, accessed Mar. 16, 2016.

<http://ceilingfans.emerson.com/shop/en/fan/fans-s-emerson-fans/fans-s-contemporary/highpointe-fan-p-cf205>, Item Specification for the Emerson Highpointe Model No. CF205GES, accessed Mar. 16, 2016.

<http://www.kingoffans.com/#/products/ceilingFans>, Item Specification for the King of Fans Valparaiso Model No. 61317 accessed Mar. 16, 2016.

<http://www.dtvintagefans.org/forum/showthread.php/9671-revealed-some-interesting-design-in-my-old-CG>, Crompton Greaves Fan, accessed Mar. 16, 2016.

<http://www.kingoffans.com/#/products/ceilingFans>, Item Specification for the Kingoffans Carousel III Model No. 46750, accessed Mar. 16, 2016.

\* cited by examiner

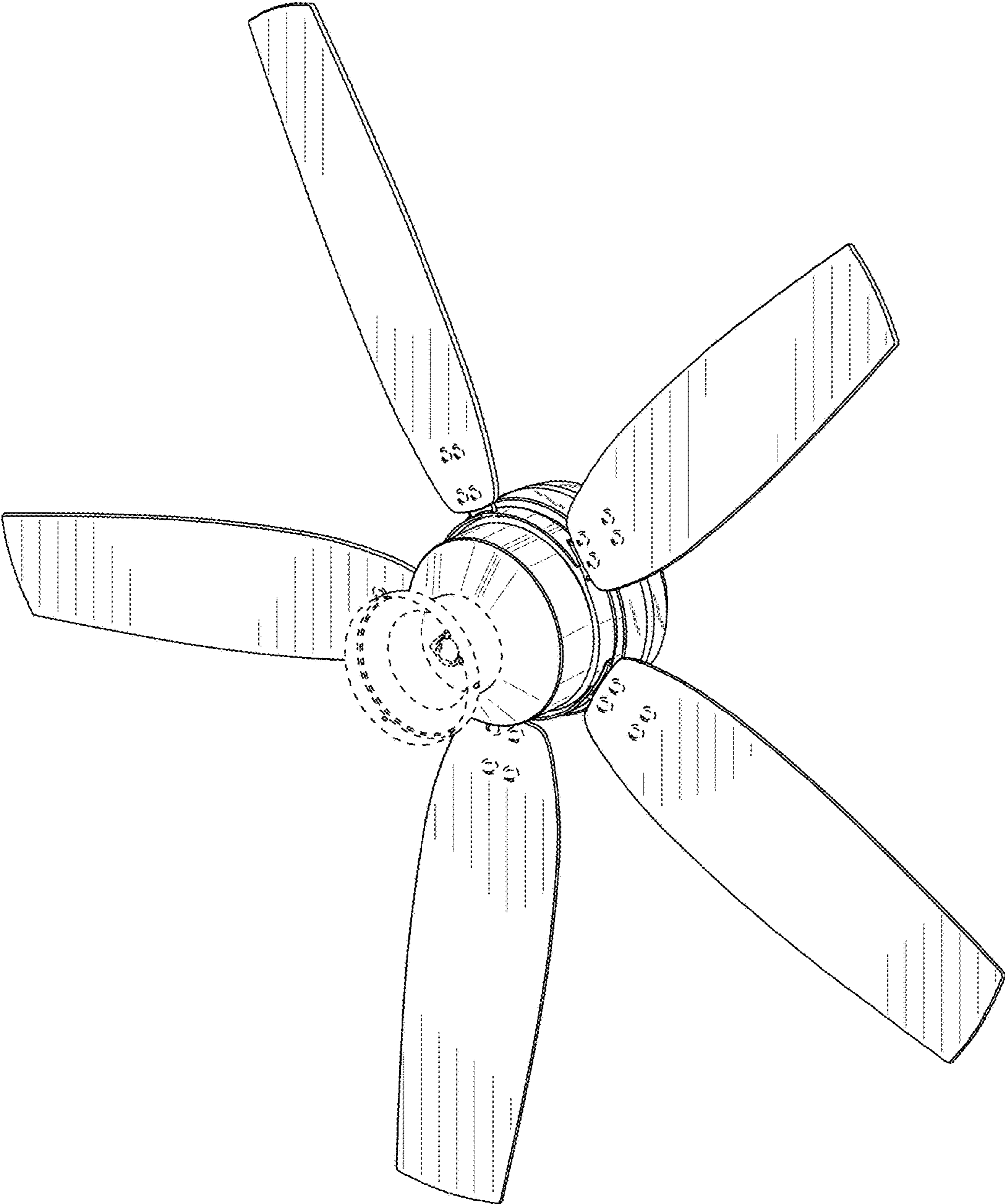


FIG. 1

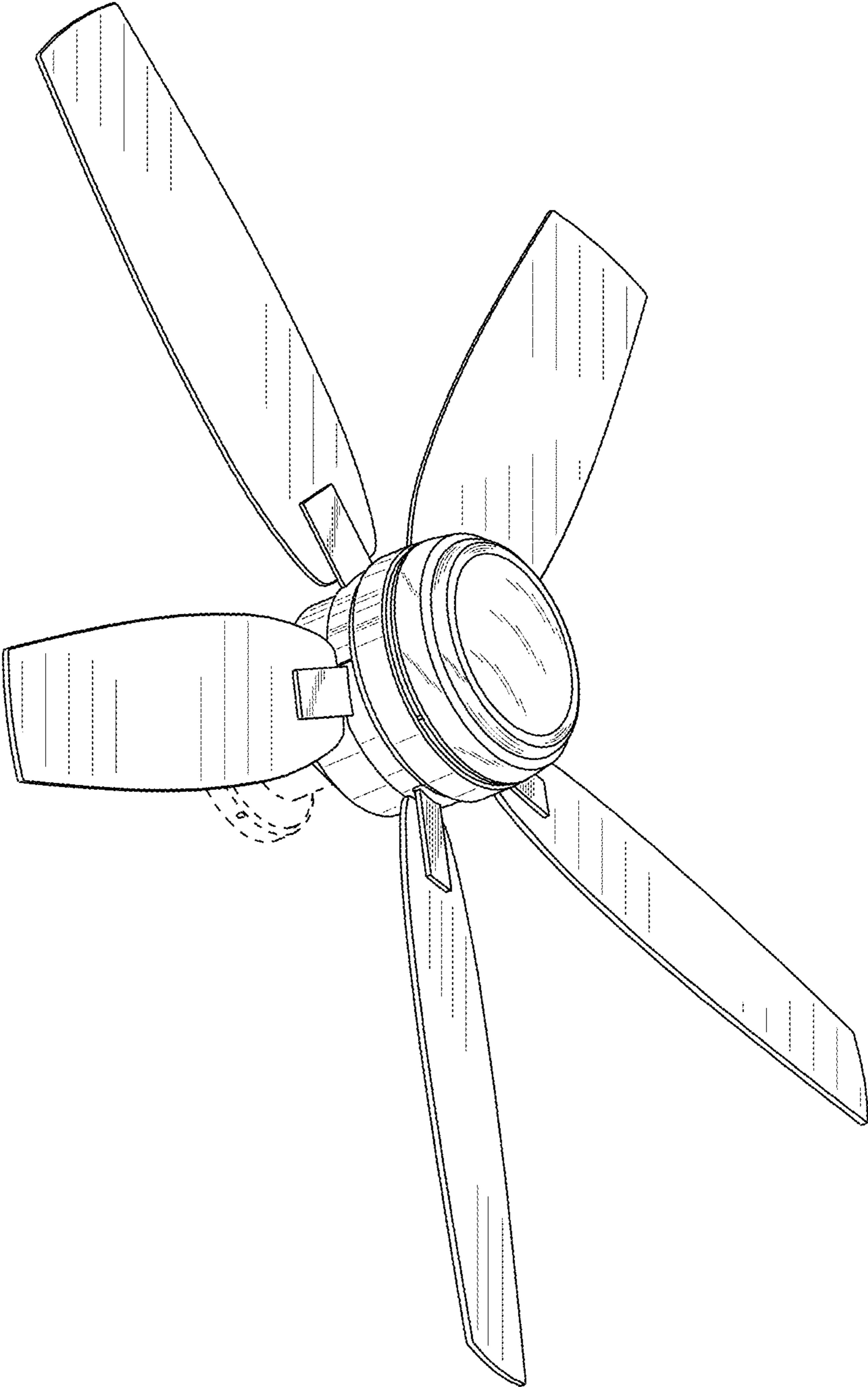


FIG. 2

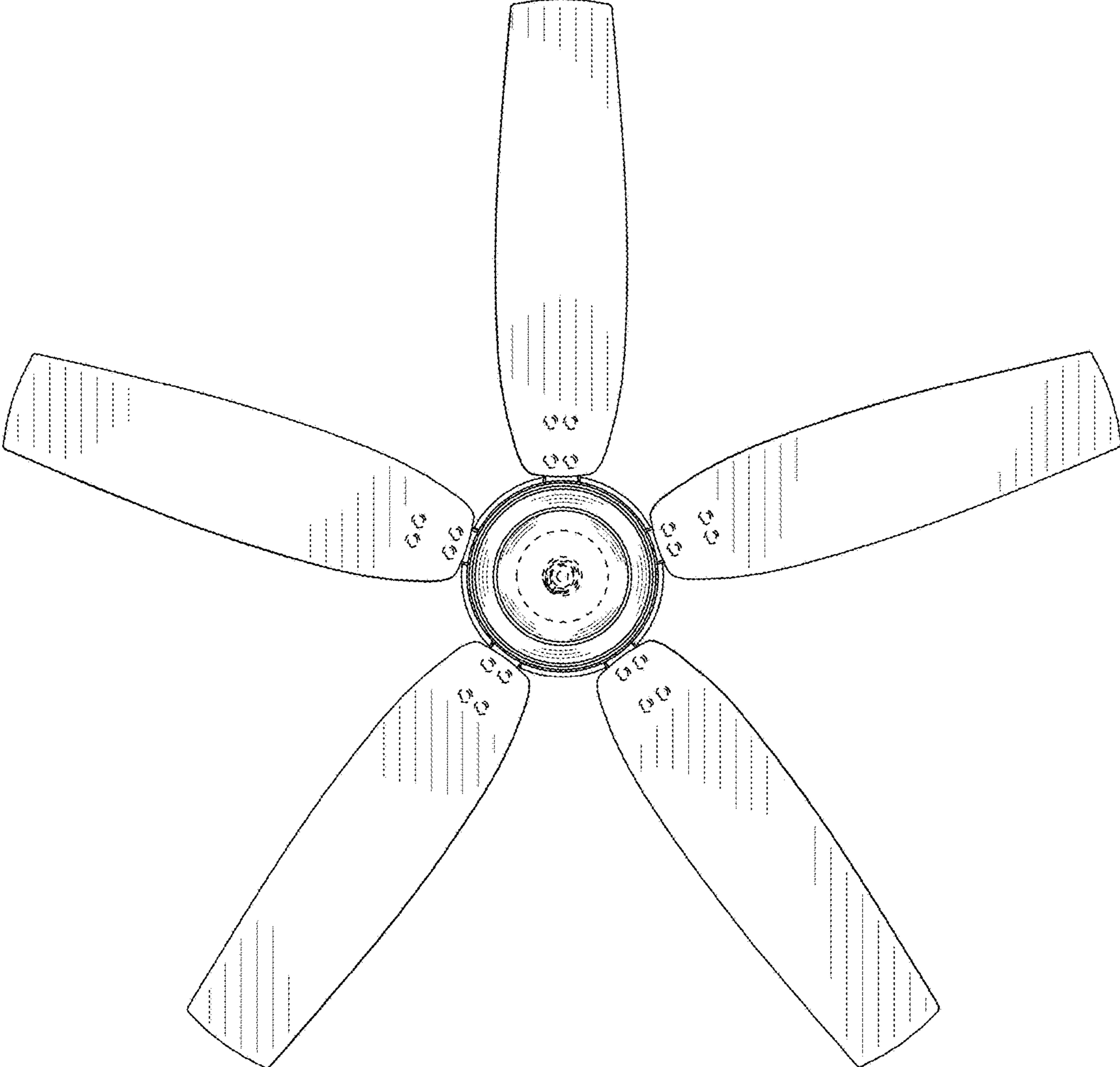


FIG. 3

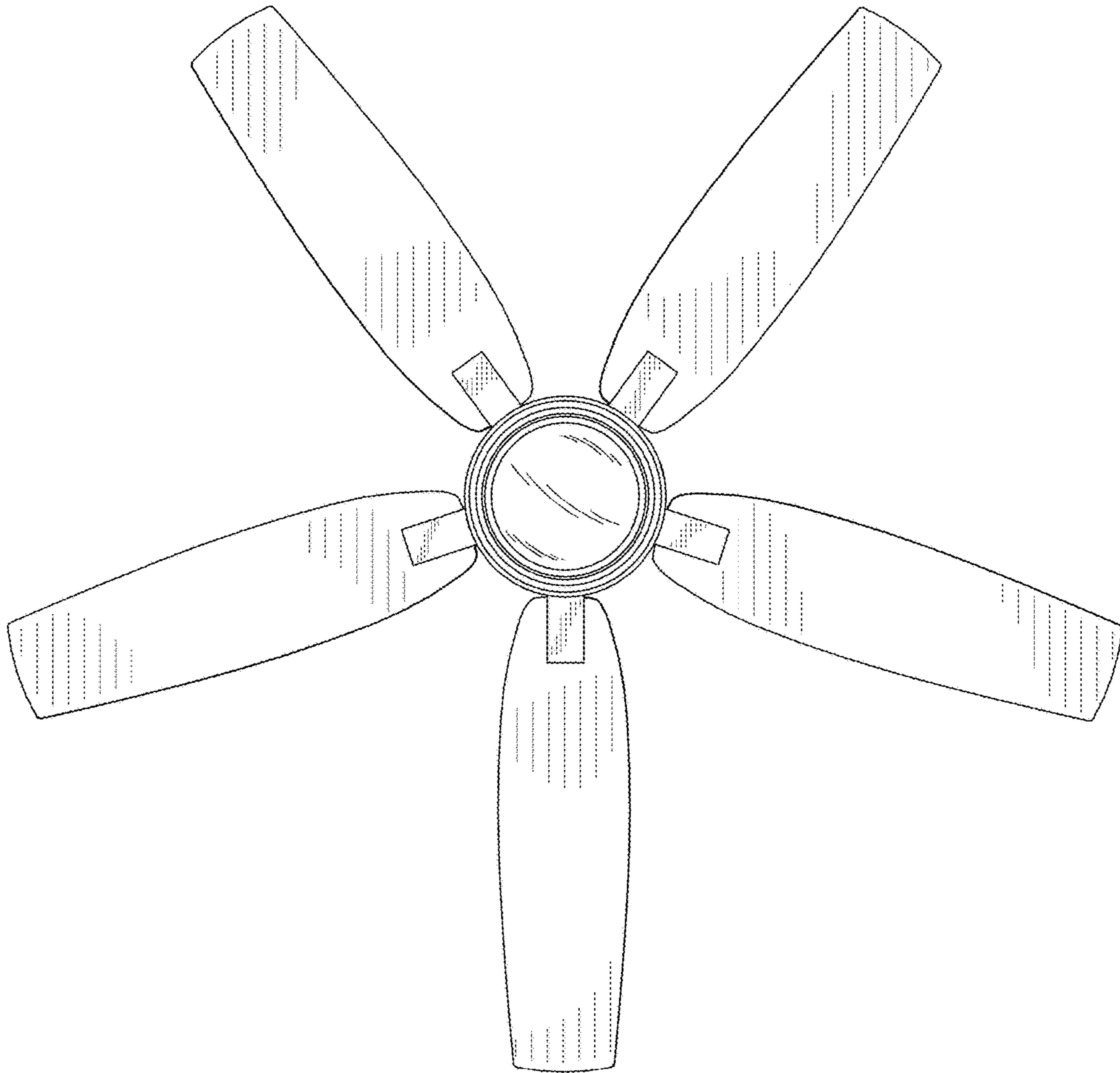


FIG. 4

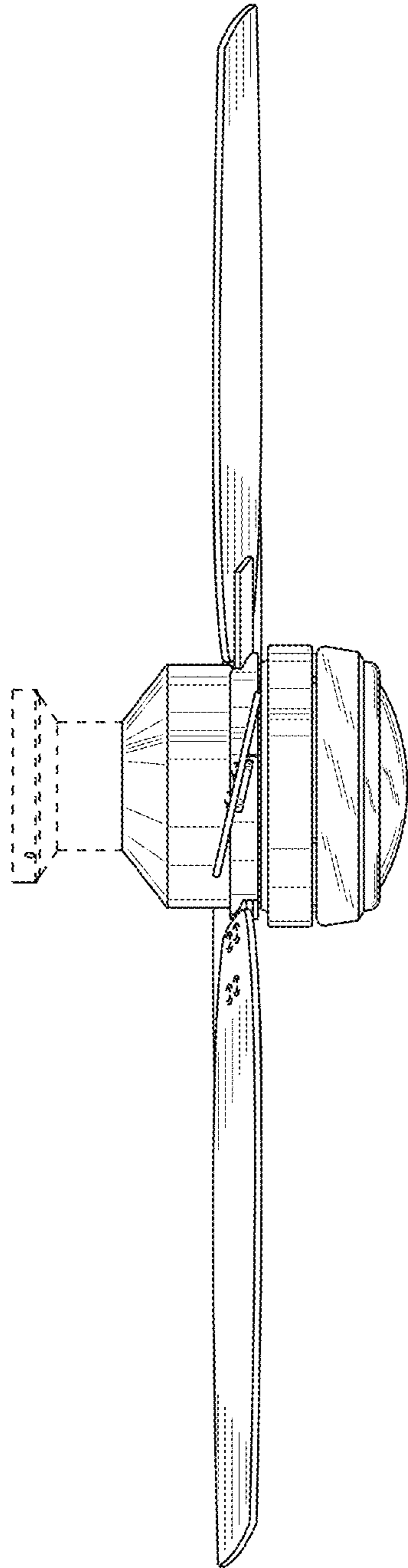


FIG. 5

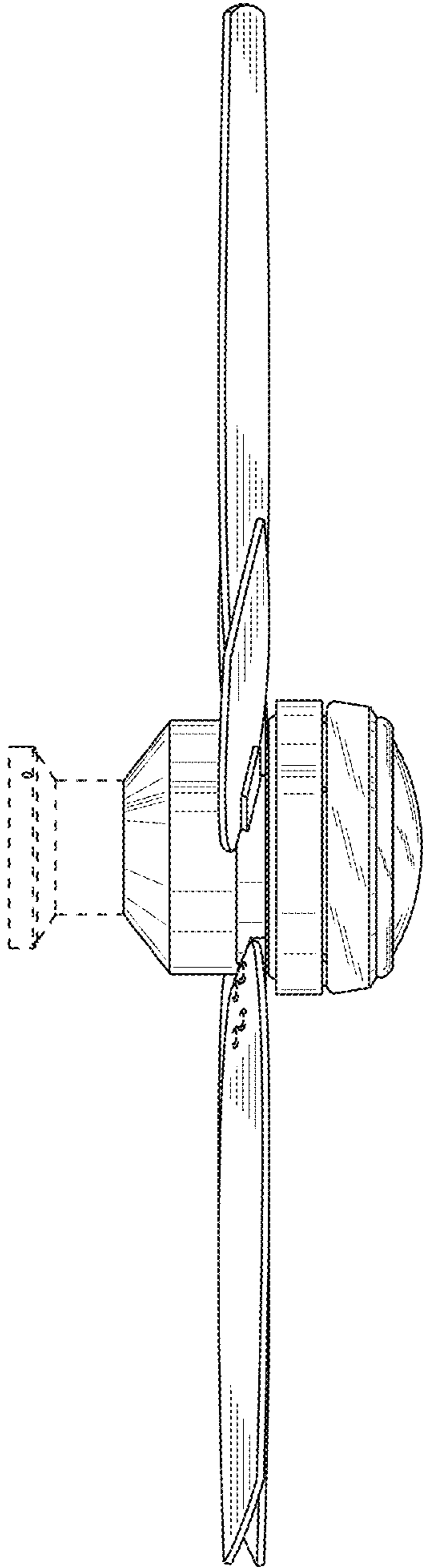


FIG. 6



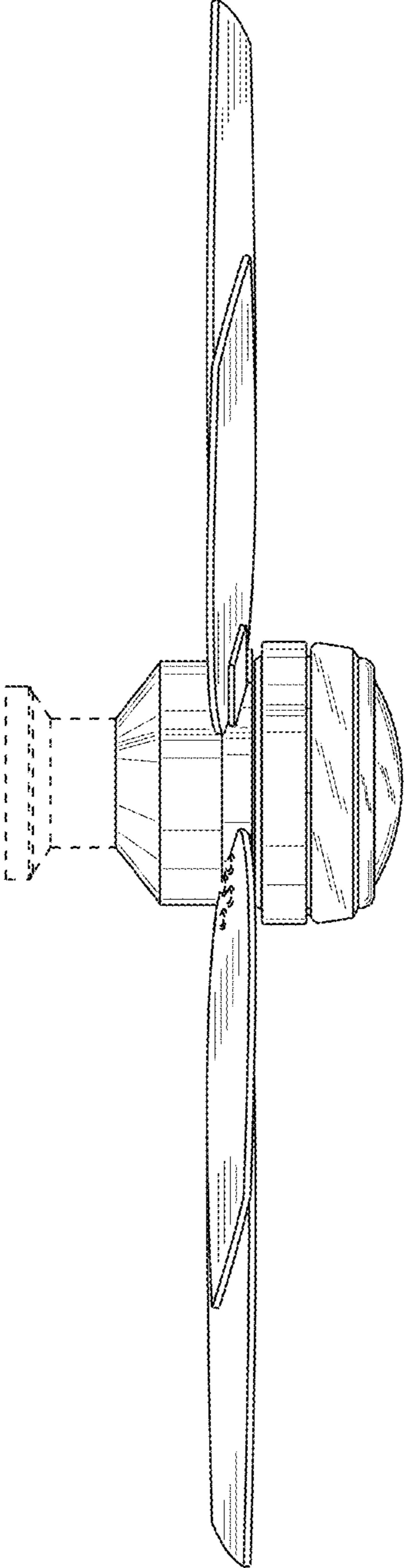


FIG. 7

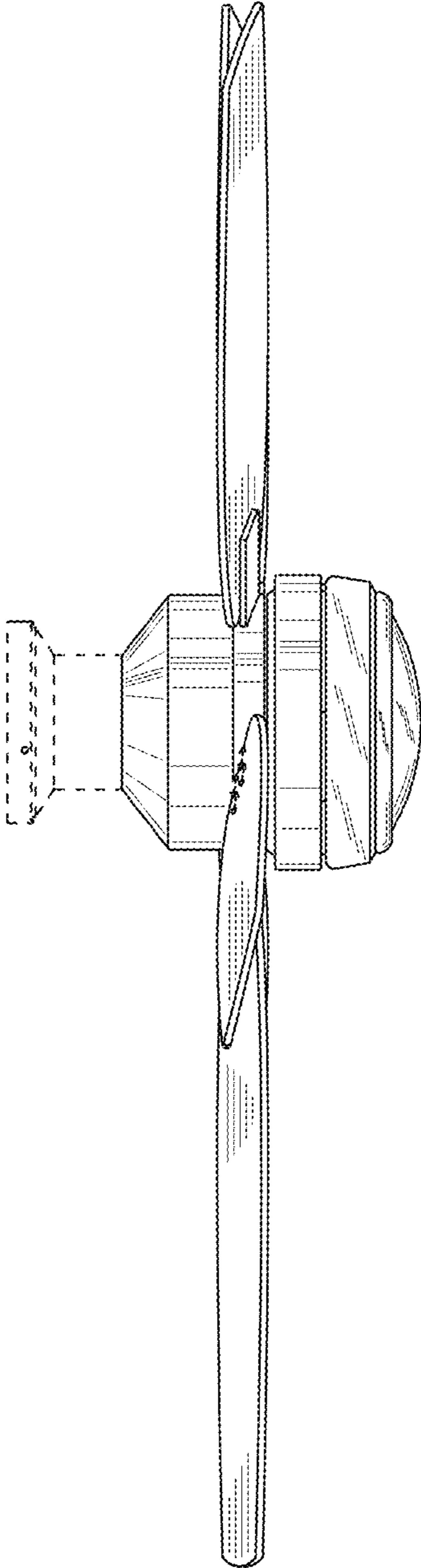


FIG. 8