



US00D804638S

(12) **United States Design Patent**
Guthrie

(10) **Patent No.:** **US D804,638 S**

(45) **Date of Patent:** **** Dec. 5, 2017**

(54) **CEILING FAN**

(71) Applicant: **HUNTER FAN COMPANY,**
Memphis, TN (US)

(72) Inventor: **Benjamin Scotti Guthrie,**
Germantown, TN (US)

(73) Assignee: **Hunter Fan Company,** Memphis, TN
(US)

(**) Term: **15 Years**

(21) Appl. No.: **29/557,358**

(22) Filed: **Mar. 8, 2016**

(51) **LOC (10) Cl.** **23-04**

(52) **U.S. Cl.**
USPC **D23/377; D23/385**

(58) **Field of Classification Search**
USPC D23/370, 377, 379, 385, 411; D26/59
CPC F04D 25/088; F21V 33/0096
See application file for complete search history.

(56) **References Cited**

U.S. PATENT DOCUMENTS

6,036,331	A	*	3/2000	Acquisto	F04D 25/088	362/234
D428,982	S	*	8/2000	Oldenburg	D23/377	
D430,930	S	*	9/2000	Zuege	D23/377	
D435,289	S	*	12/2000	Liu	D23/377	
D449,396	S	*	10/2001	Campbell	D26/59	
D464,722	S	*	10/2002	Sonneman	D23/377	
D476,406	S	*	6/2003	Friedes	D23/377	

D476,411	S	*	6/2003	Friedes	D23/411	
D517,675	S	*	3/2006	Young	D23/377	
D521,625	S	*	5/2006	Young	D23/377	
D522,643	S	*	6/2006	Hidalgo	D23/377	
D528,645	S	*	9/2006	Young	D23/377	
D539,894	S	*	4/2007	Bucher	D23/377	
D555,779	S	*	11/2007	Bucher	D23/377	
D710,489	S	*	8/2014	Shurtleff	D23/377	
D732,157	S	*	6/2015	Lin	D23/377	

* cited by examiner

Primary Examiner — Janice Hallmark

(74) *Attorney, Agent, or Firm* — McGarry Bair PC

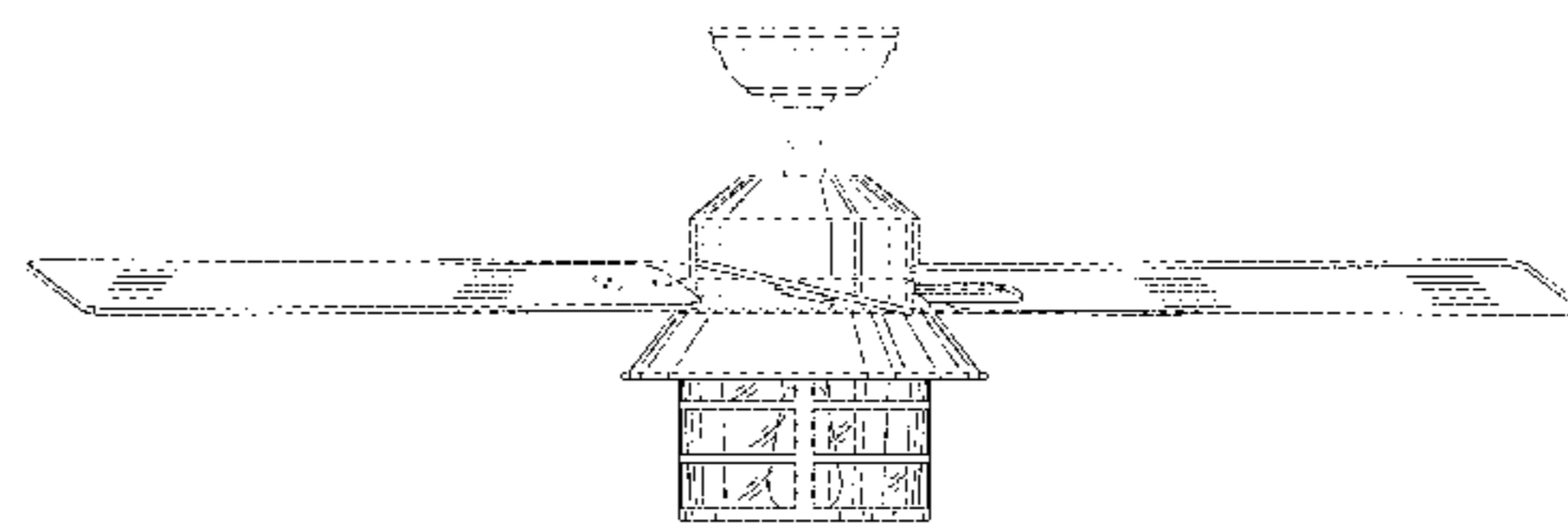
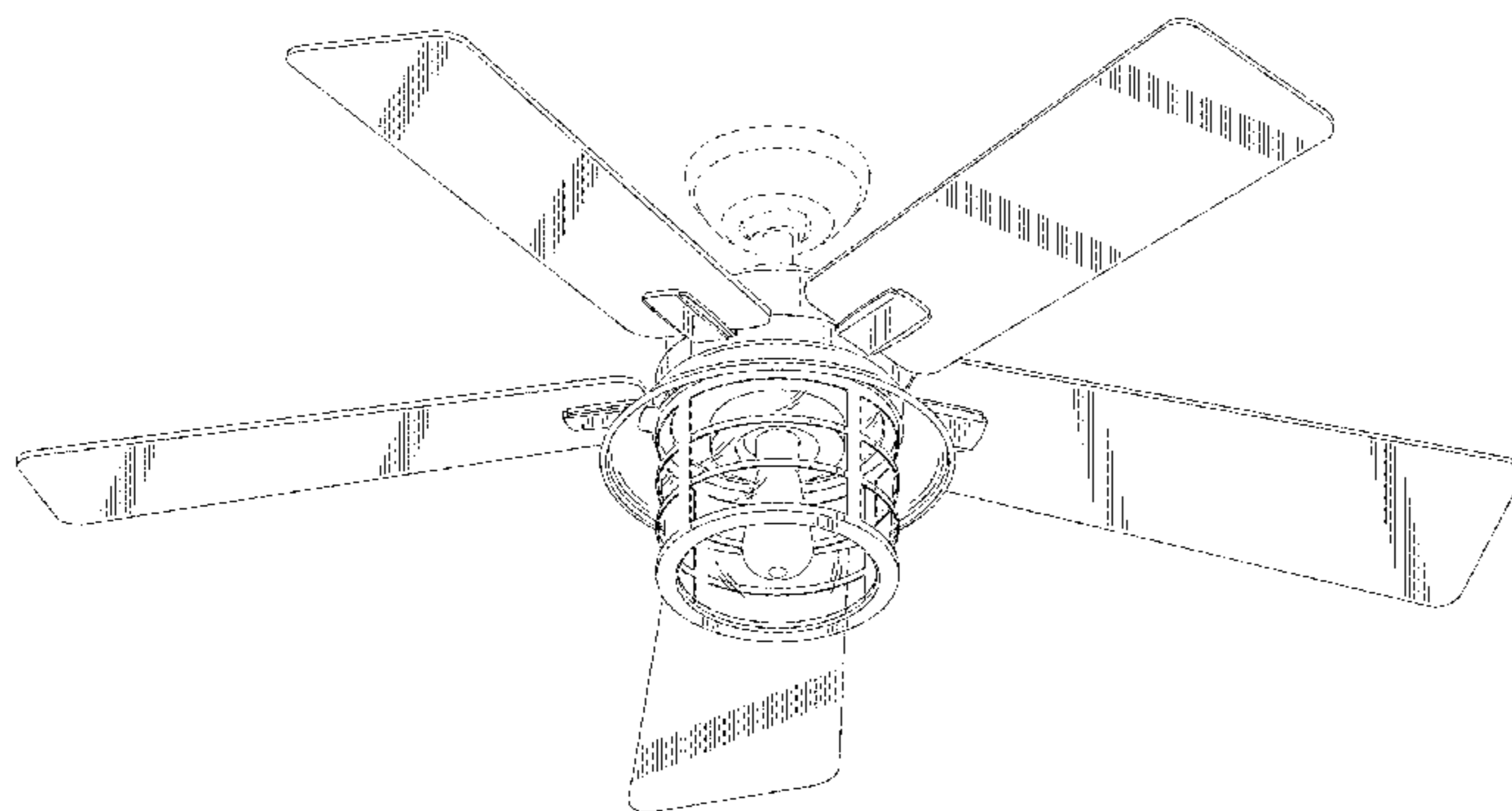
(57) **CLAIM**

The ornamental design for a ceiling fan, as shown and described.

DESCRIPTION

FIG. 1 is a top perspective view of a ceiling fan showing my new design;
FIG. 2 is a bottom perspective view of the ceiling fan of FIG. 1;
FIG. 3 is a top view of the ceiling fan of FIG. 1;
FIG. 4 is a bottom view of the ceiling fan of FIG. 1;
FIG. 5 is a front side view of the ceiling fan of FIG. 1;
FIG. 6 is a rear side view of the ceiling fan of FIG. 1;
FIG. 7 is a left side view of the ceiling fan of FIG. 1; and,
FIG. 8 is a right side view of the ceiling fan of FIG. 1.
Portions of the ceiling fan shown in broken lines form no part of the claimed design.

1 Claim, 6 Drawing Sheets



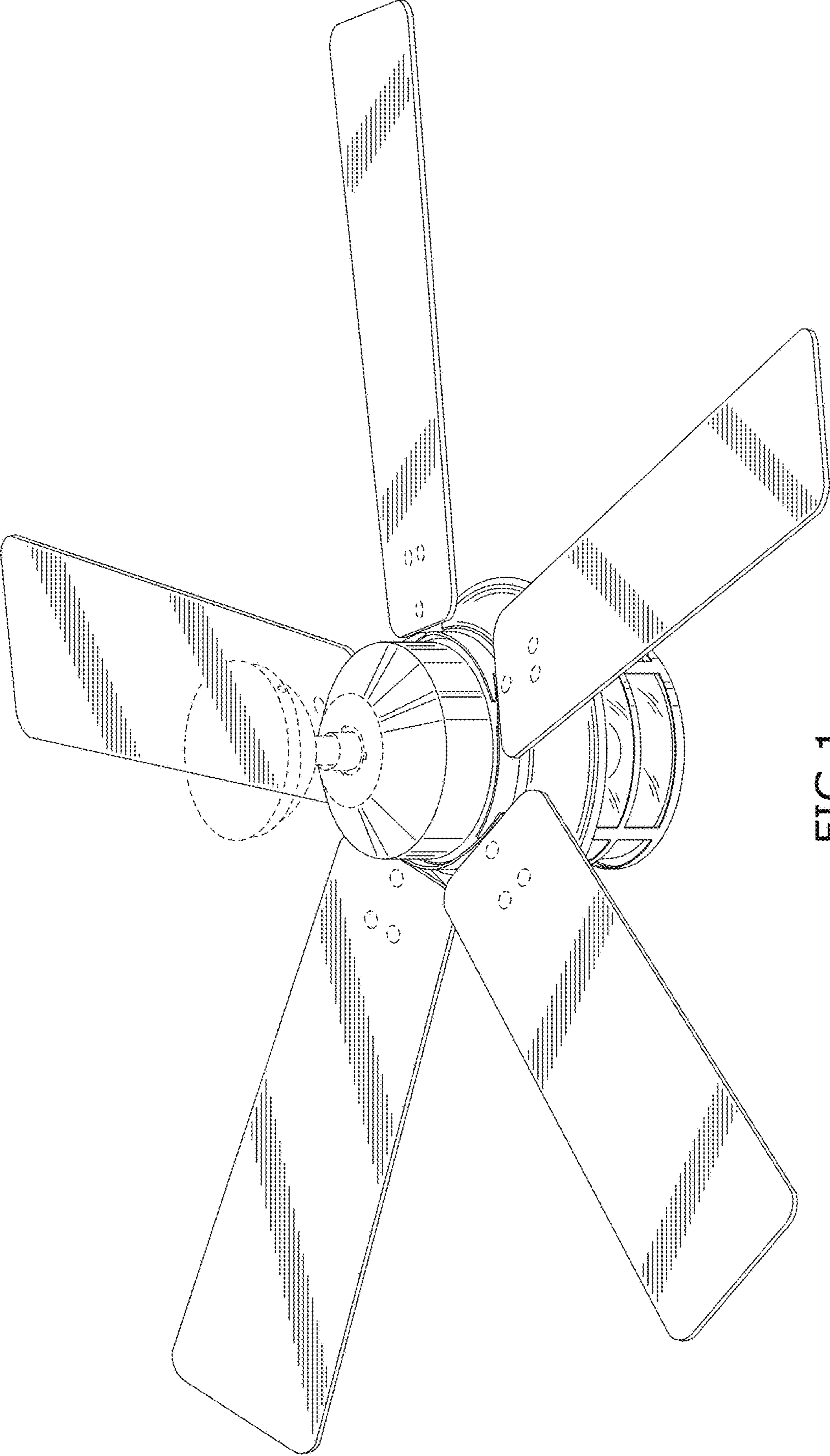


FIG. 1

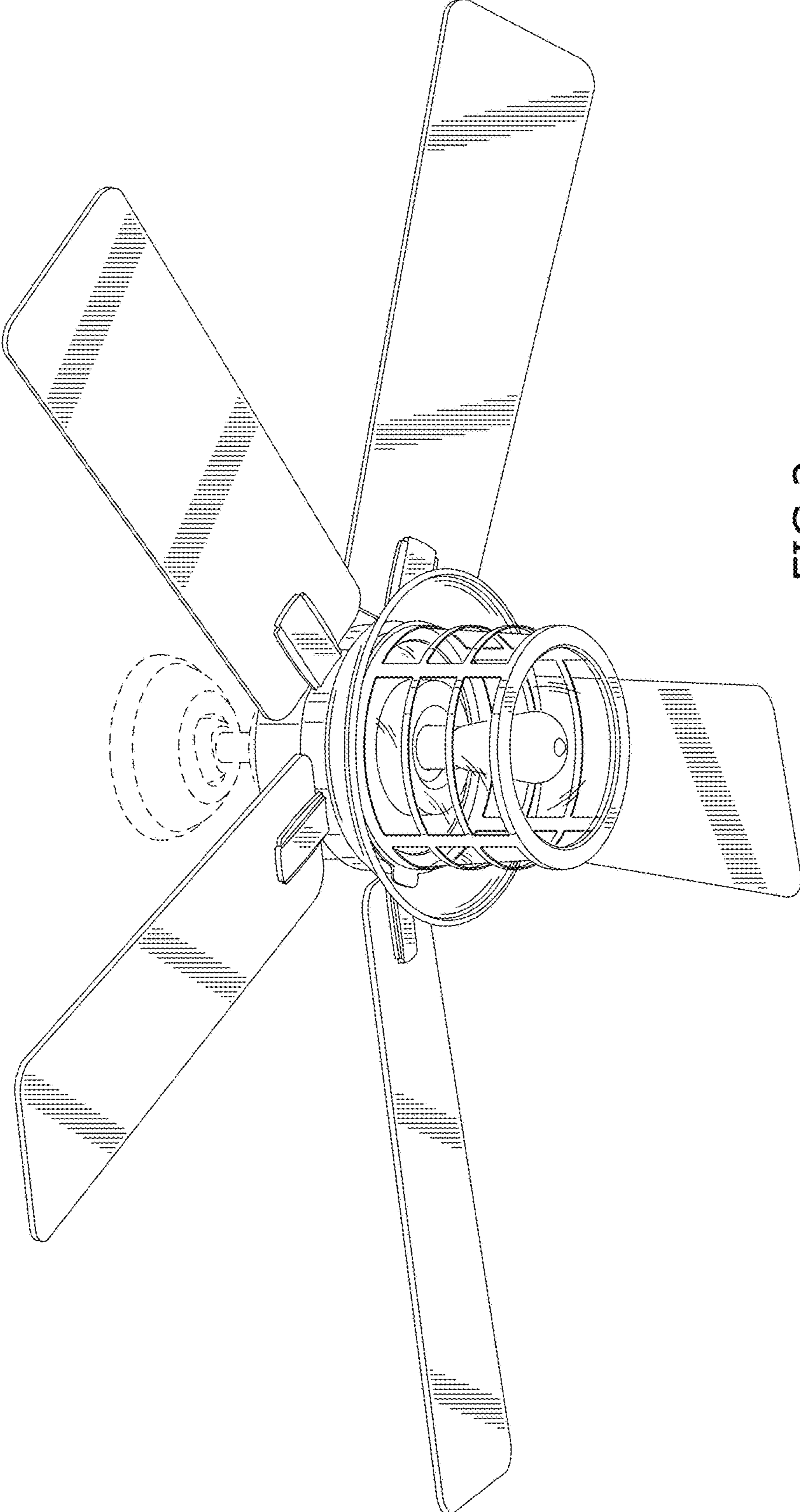


FIG.2

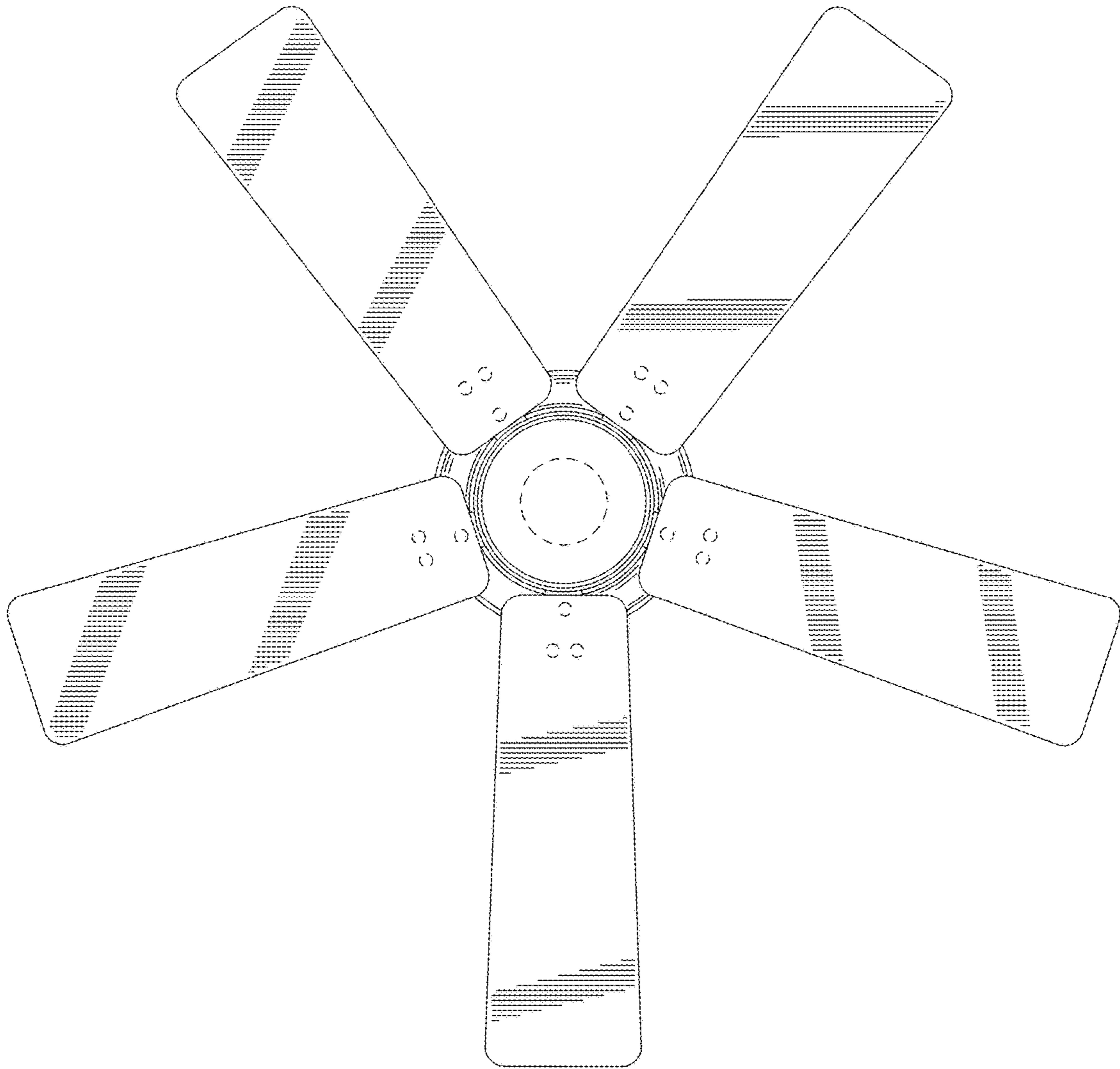


FIG. 3

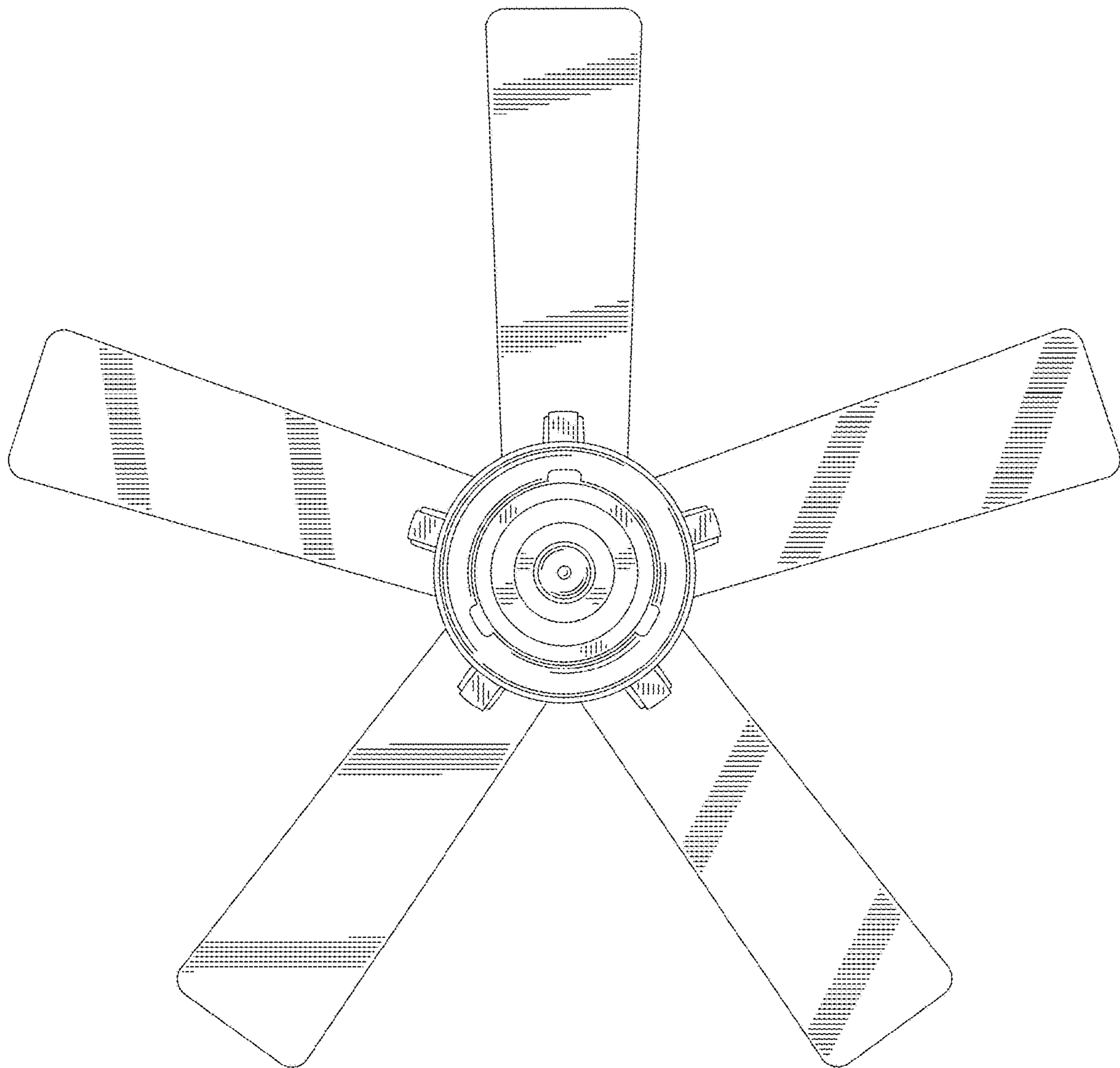


FIG.4

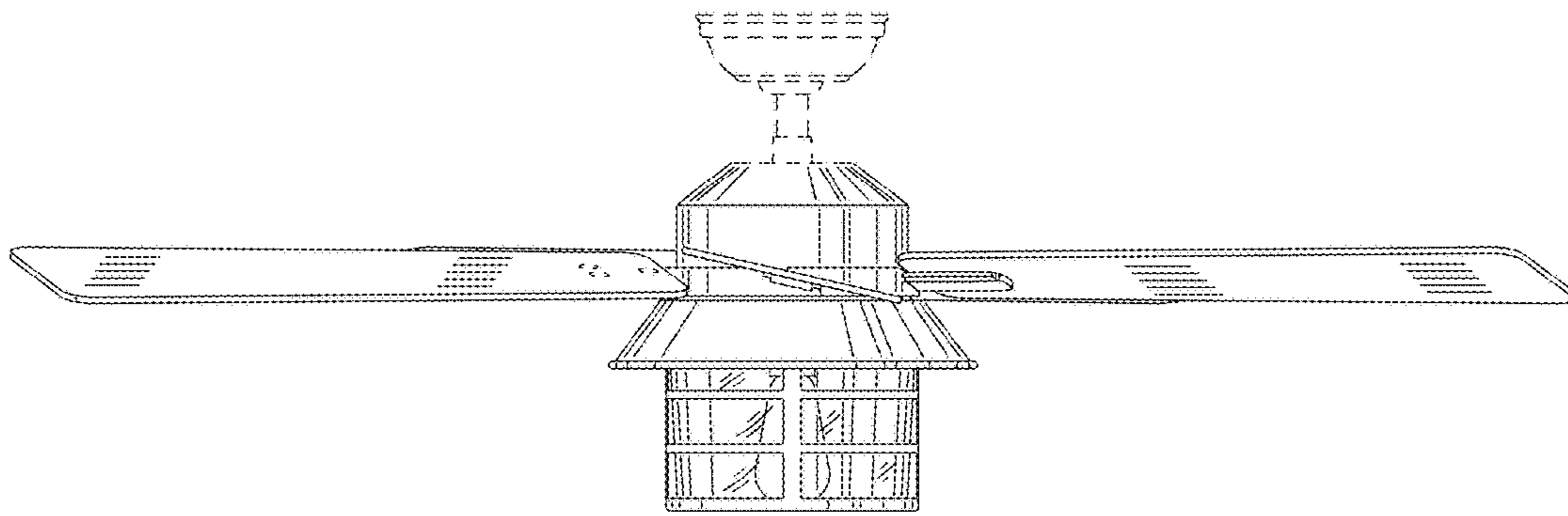


FIG. 5

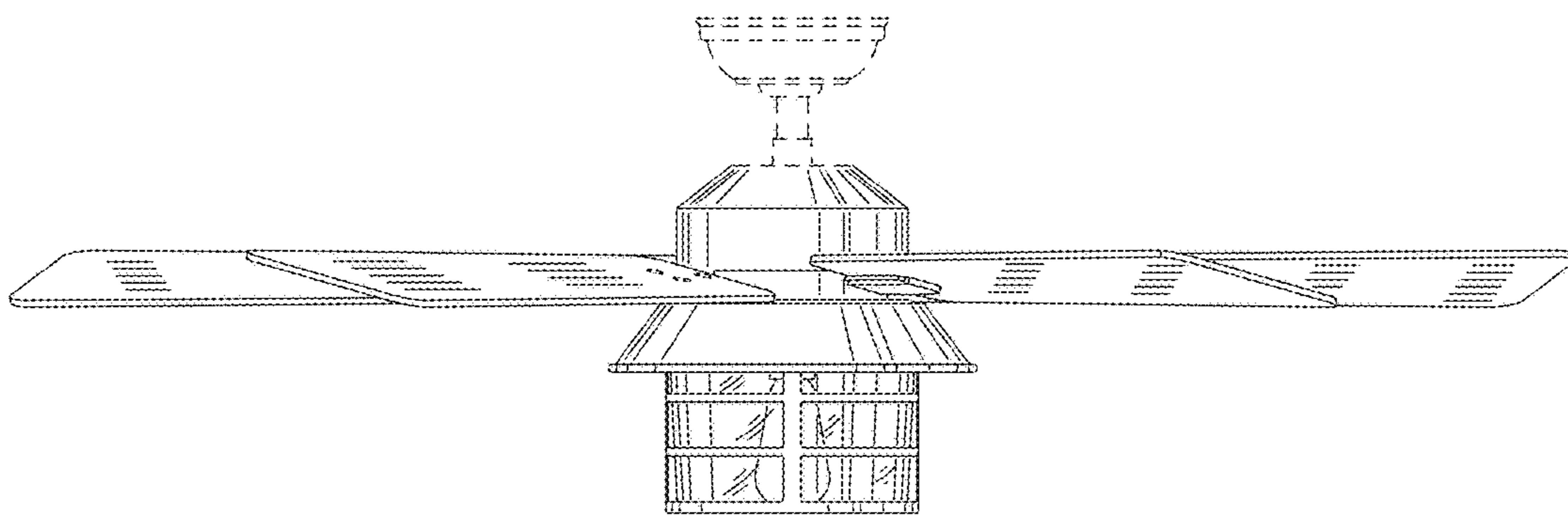


FIG. 6

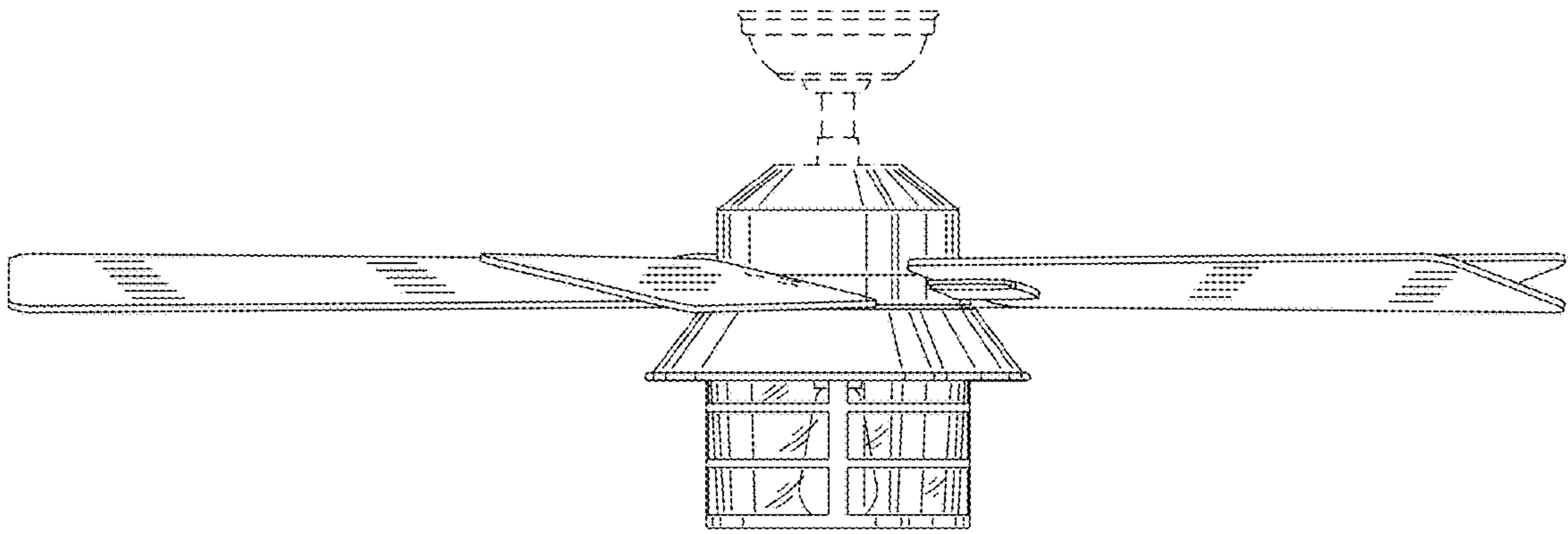


FIG. 7

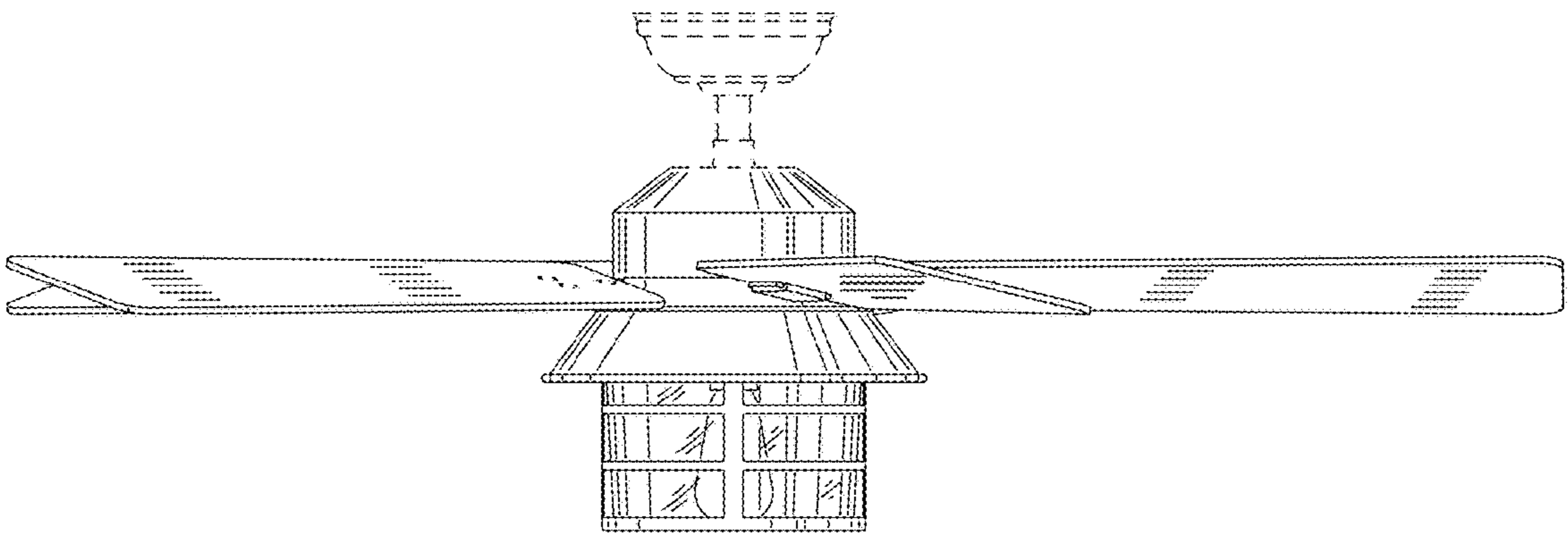


FIG. 8