



US00D804637S

(12) **United States Design Patent**
Holmes

(10) **Patent No.:** **US D804,637 S**

(45) **Date of Patent:** **** Dec. 5, 2017**

- (54) **CEILING FAN**
- (71) Applicant: **HUNTER FAN COMPANY,**
Memphis, TN (US)
- (72) Inventor: **Christine Holmes,** Memphis, TN (US)
- (73) Assignee: **Hunter Fan Company,** Memphis, TN (US)

D533,937 S * 12/2006 Pan D23/411
 D568,983 S 5/2008 Pan
 D579,097 S 10/2008 Hidalgo
 D594,550 S 6/2009 Pan
 D627,046 S * 11/2010 Wang D23/377
 D632,382 S 2/2011 Pan
 D745,960 S 12/2015 Pickett

(Continued)

- (**) Term: **15 Years**
- (21) Appl. No.: **29/557,351**

(22) Filed: **Mar. 8, 2016**

(51) **LOC (10) Cl.** **23-04**

(52) **U.S. Cl.**
USPC **D23/377; D26/59**

(58) **Field of Classification Search**
USPC D23/355, 370–376, 378–387, 412, 414,
D23/377, 411, 413; D26/59; D12/214
CPC F04D 25/088; F21V 33/0096
See application file for complete search history.

(56) **References Cited**

U.S. PATENT DOCUMENTS

- 5,404,284 A * 4/1995 Davis, Jr. F04D 25/088
362/147
- D364,224 S * 11/1995 Wang D23/377
- 5,971,573 A * 10/1999 Bucher et al. F21V 33/0096
362/438
- D424,679 S * 5/2000 LaSpina D23/377
- D483,105 S 12/2003 Hsieh
- D483,463 S * 12/2003 Tai D23/377
- D483,465 S * 12/2003 Tai D23/377
- D486,215 S * 2/2004 Hsieh D23/377
- D490,888 S * 6/2004 Tai D23/377
- D499,478 S * 12/2004 Thomas, Jr. D23/411
- D505,722 S * 5/2005 Burns D23/411
- D525,700 S 7/2006 Ertze
- D531,297 S * 10/2006 Ertze D23/377
- D533,654 S 12/2006 Burns

OTHER PUBLICATIONS

<http://www.hunterfan.com/Ceiling-Fans/Rockledge?ModelNumber=54156>, Item Specification for the Hunter Fan Rockledge 60" Ceiling Fan Model No. 54156 Onyx Bengal Finish 5 Burnished Cherry / Cherry Reversible Composite blades included, accessed Mar. 8, 2016.

(Continued)

Primary Examiner — Cathron C Brooks

Assistant Examiner — Sharon S Oum

(74) *Attorney, Agent, or Firm* — McGarry Bair PC

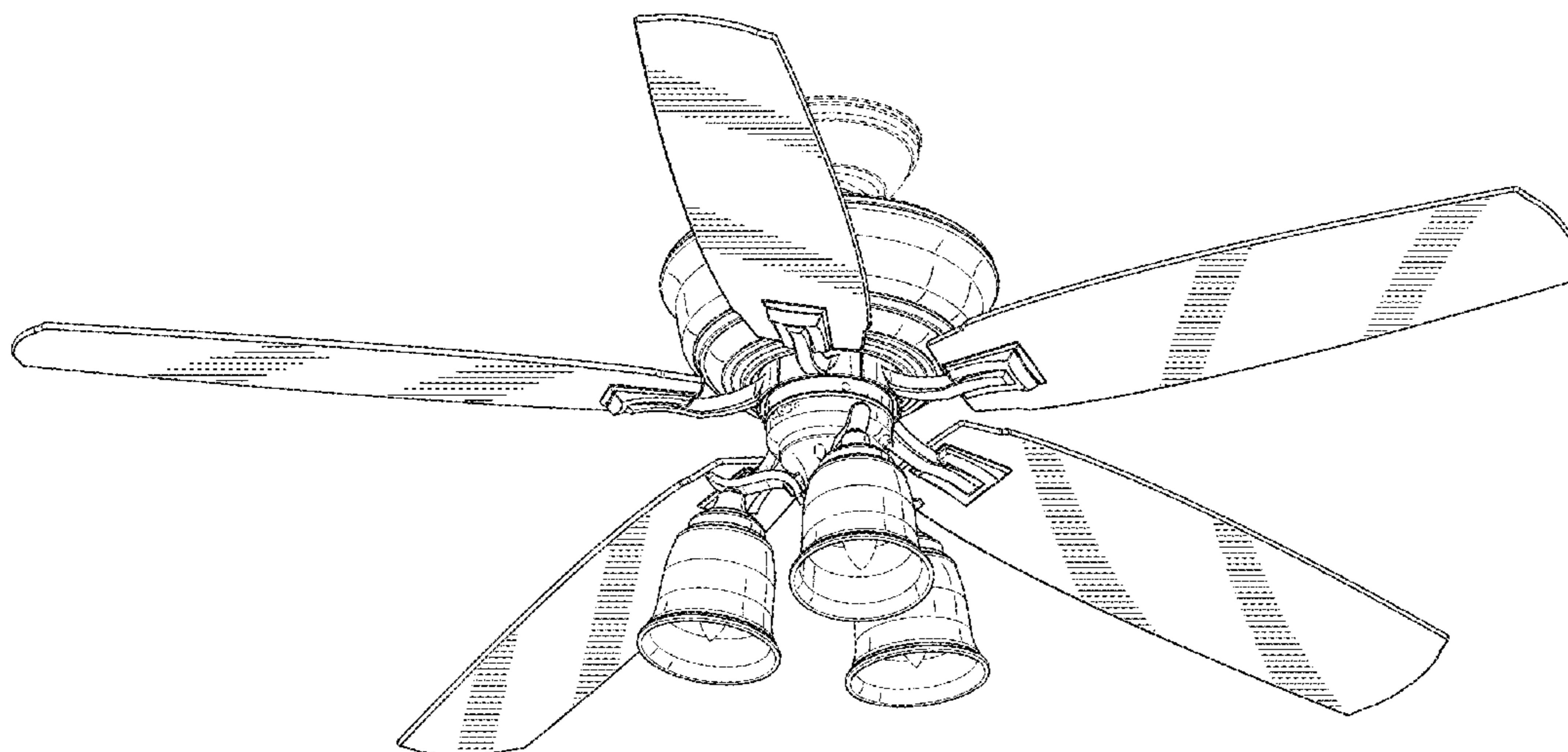
(57) **CLAIM**

The ornamental design for a ceiling fan, as shown and described.

DESCRIPTION

FIG. 1 is a top perspective view of a ceiling fan showing my new design;
 FIG. 2 is a bottom perspective view of the ceiling fan of FIG. 1;
 FIG. 3 is a top view of the ceiling fan of FIG. 1;
 FIG. 4 is a bottom view of the ceiling fan of FIG. 1;
 FIG. 5 is a front side view of the ceiling fan of FIG. 1;
 FIG. 6 is a right side view of the ceiling fan of FIG. 1;
 FIG. 7 is a rear side view of the ceiling fan of FIG. 1; and,
 FIG. 8 is a left side view of the ceiling fan of FIG. 1.
 Portions of the ceiling fan shown in broken lines form no part of the claimed design.

1 Claim, 8 Drawing Sheets



(56)

References Cited

U.S. PATENT DOCUMENTS

2004/0022636 A1* 2/2004 Bilskie F04D 25/088
416/244 R
2014/0268803 A1* 9/2014 Keng F21V 5/04
362/294

OTHER PUBLICATIONS

<http://www.hunterfan.com/Ceiling-Fans/Wil-lowcrest?ModelNumber=54016>, Item Specification for the Hunter Fan Willowcrest 54" Ceiling Fan Model No. 54016 Brittany Bronze Finish, 5 Burnished Mahogany / Mahogany Reversible Carved Wood blades included, accessed Mar. 8, 2016.
<http://creativeinkdesigns.com/projects/fanimation/products/index.php/fans/benito-220v.html>, Item Specification for the Fanimation Benito Model No. FP8003-220, accessed Mar. 8, 2016.
<http://www.casablancafanco.com/Search?SearchTerm=Crestmont>, Item Specification for the Casablanca Crestmont Model No. 55063, accessed Mar. 8, 2016.

http://www.cens.com/cens/html/en/product/product_main_77129.html, Item Specification for the Air Cool Industrial Co. Aquarius-champagne light series Model No. AC413, accessed Mar. 8, 2016.
http://www.cgglobal.com/frontend/cp_product.aspx?id=O3C7/cQ2umQ=, Item Specification for the Crompton Greaves Triton Electroplated Ceiling Fan, accessed Mar. 7, 2016.
<http://www.kingoffans.com/#/products/ceilingFans>, Item Specification for the King of Fans North Lake Model No. 51418, accessed Mar. 8, 2016.
<http://www.quoruminternational.com/index.cfm/app/productDetail?product=73525-986>, Item Specification for the Duorum International Model No. 73525-986, accessed Mar. 8, 2016.
<http://www.homedepot.com/p/Hampton-Bay-Alicante-52-in-Natural-Iron-Ceiling-Fan-58004/203788121>, Item Specification for the Hampton Bay Alicante Model # 58004 Alicante 52 in. Natural Iron Ceiling Fan, accessed Mar. 8, 2016.
<http://www.hunterfan.com/Ceiling-Fans/Wil-lowcrest?ModelNumber=54016>, Item Specification for the Hunter Fan Willowcrest 54" Ceiling Fan Model No. 54016 Brittany Bronze Finish 5 Burnished Mahogany / Mahogany Reversible carved Wood blades included, accessed Mar. 8, 2016.

* cited by examiner

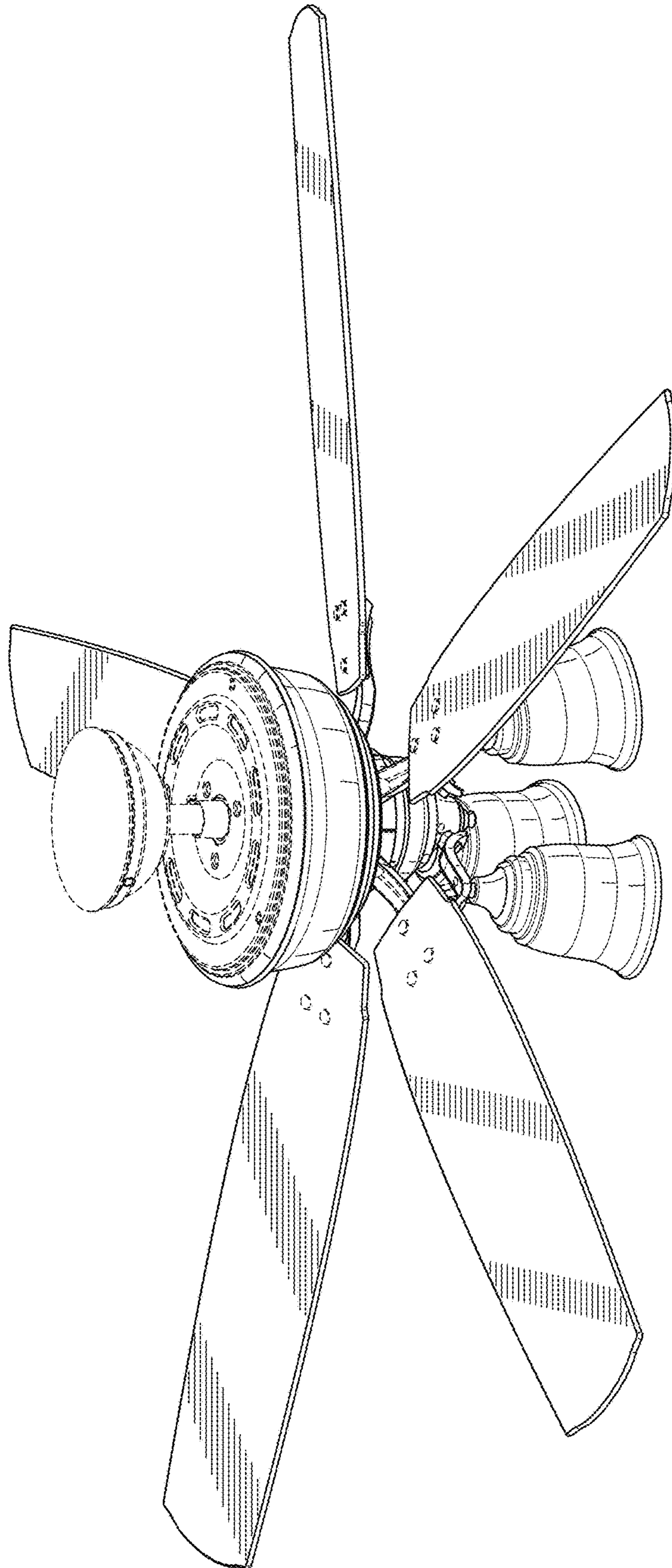


FIG. 1

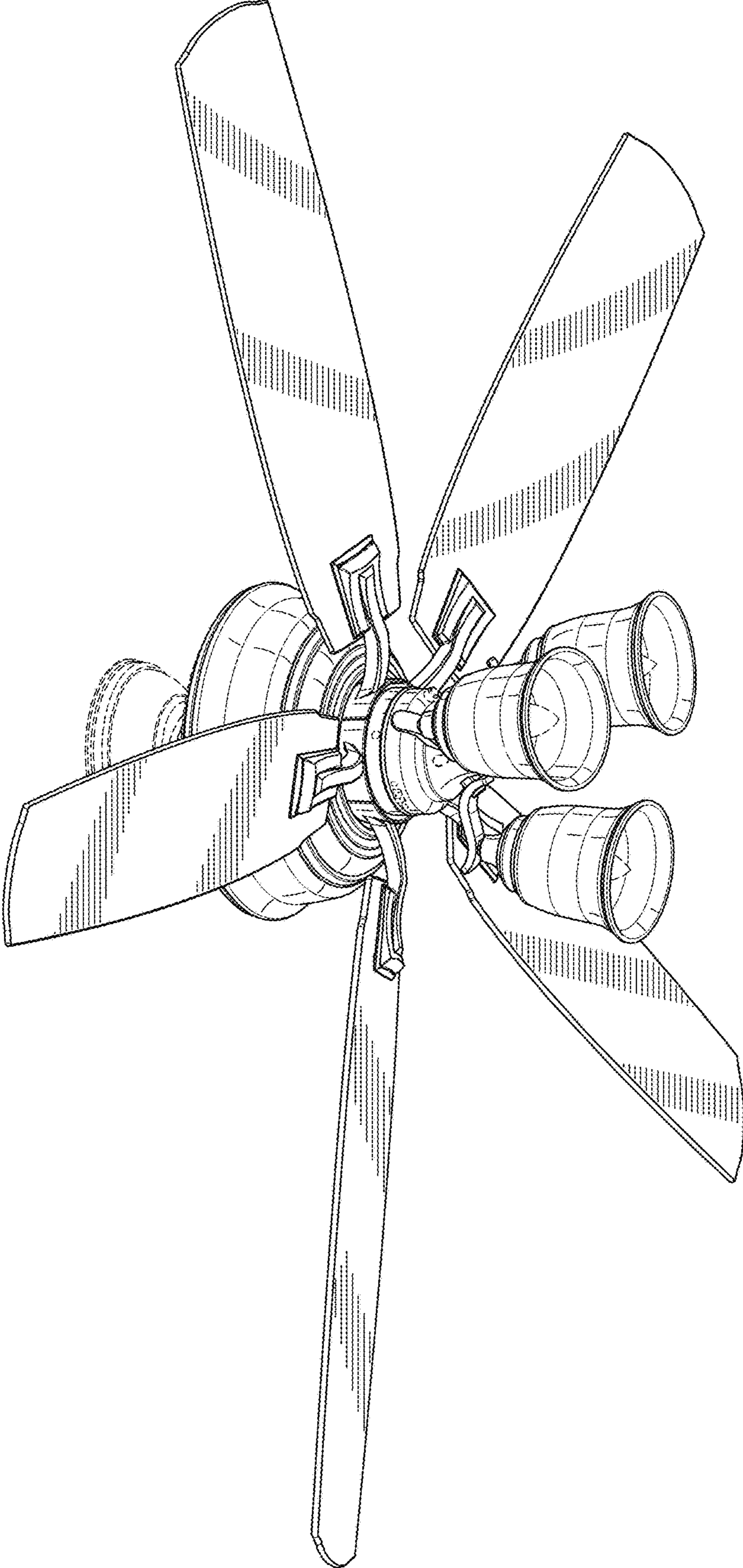


FIG. 2

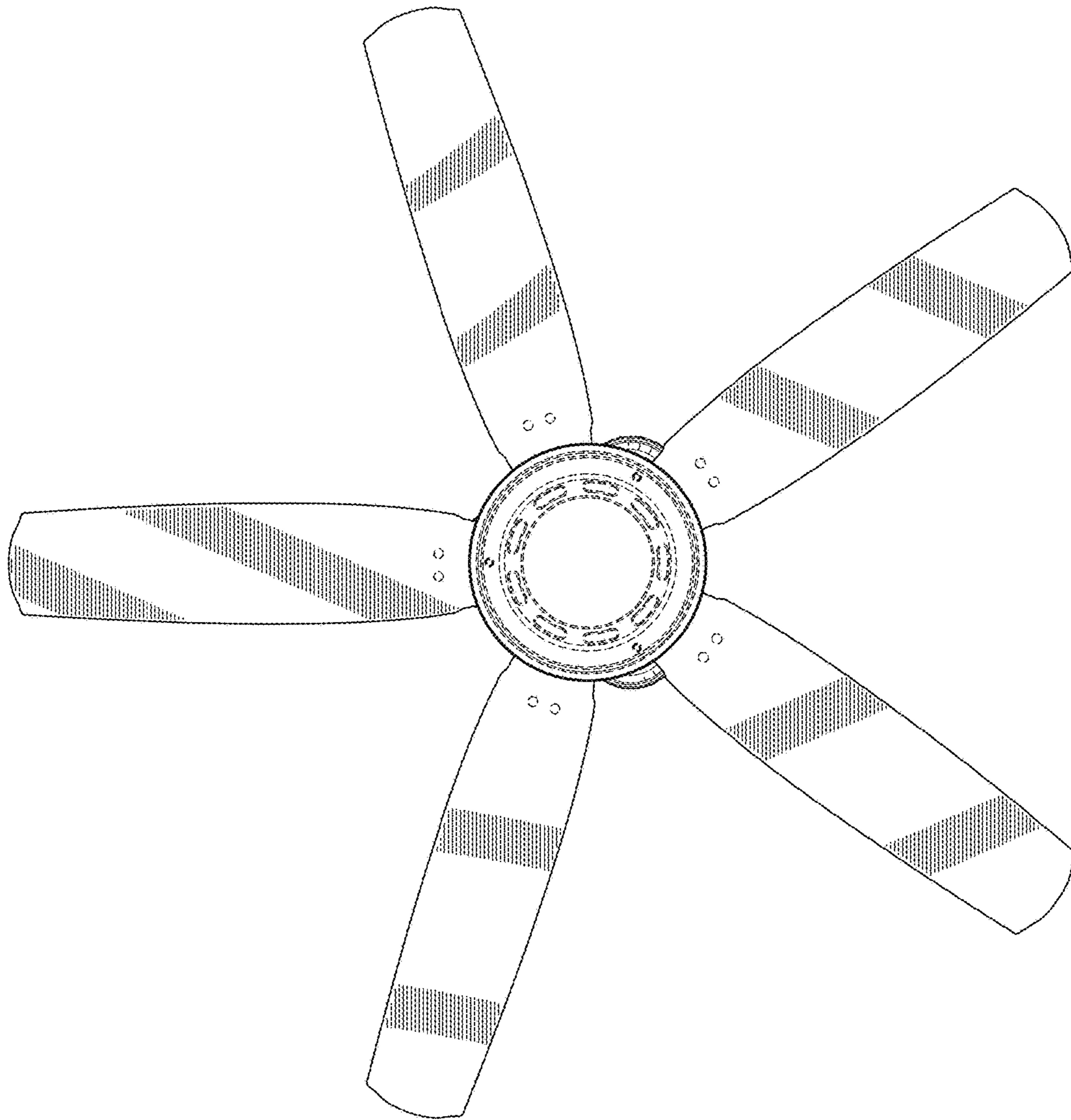


FIG. 3

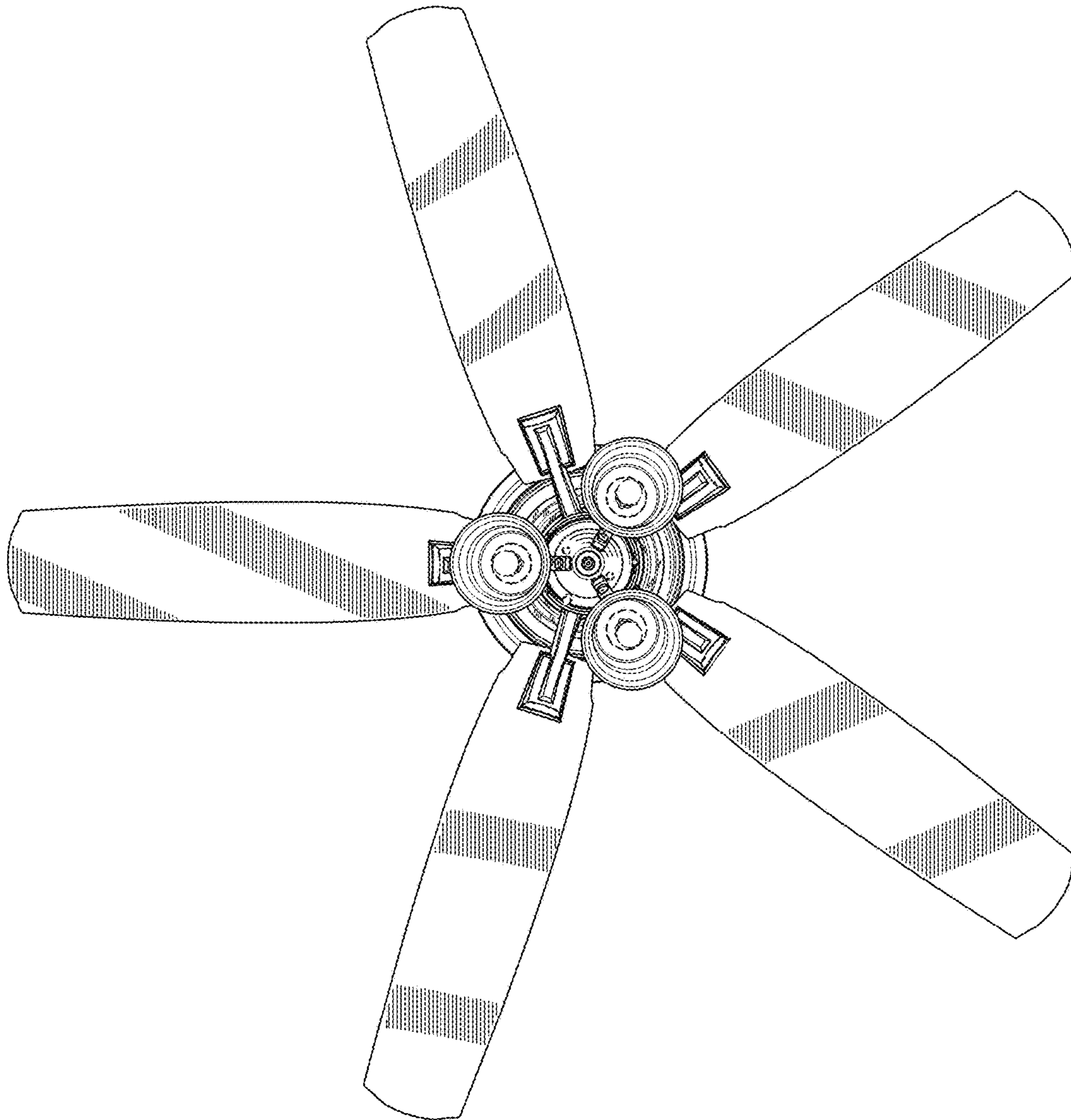


FIG. 4

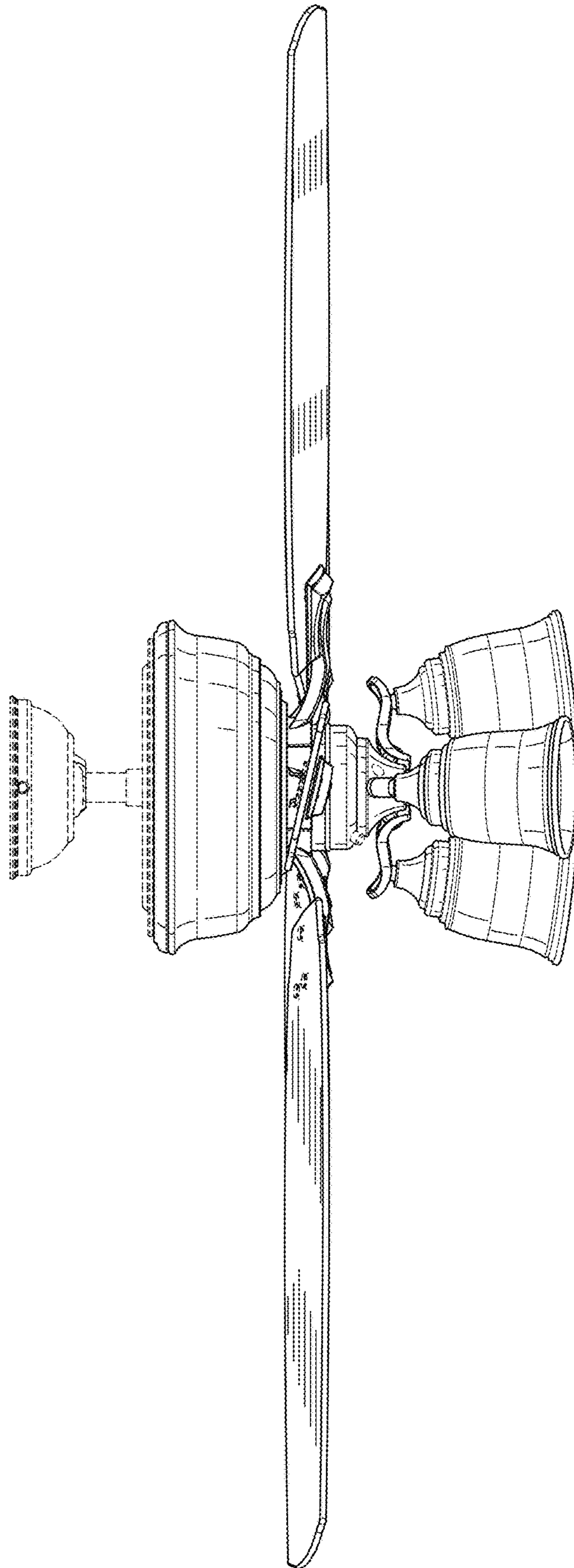


FIG. 5

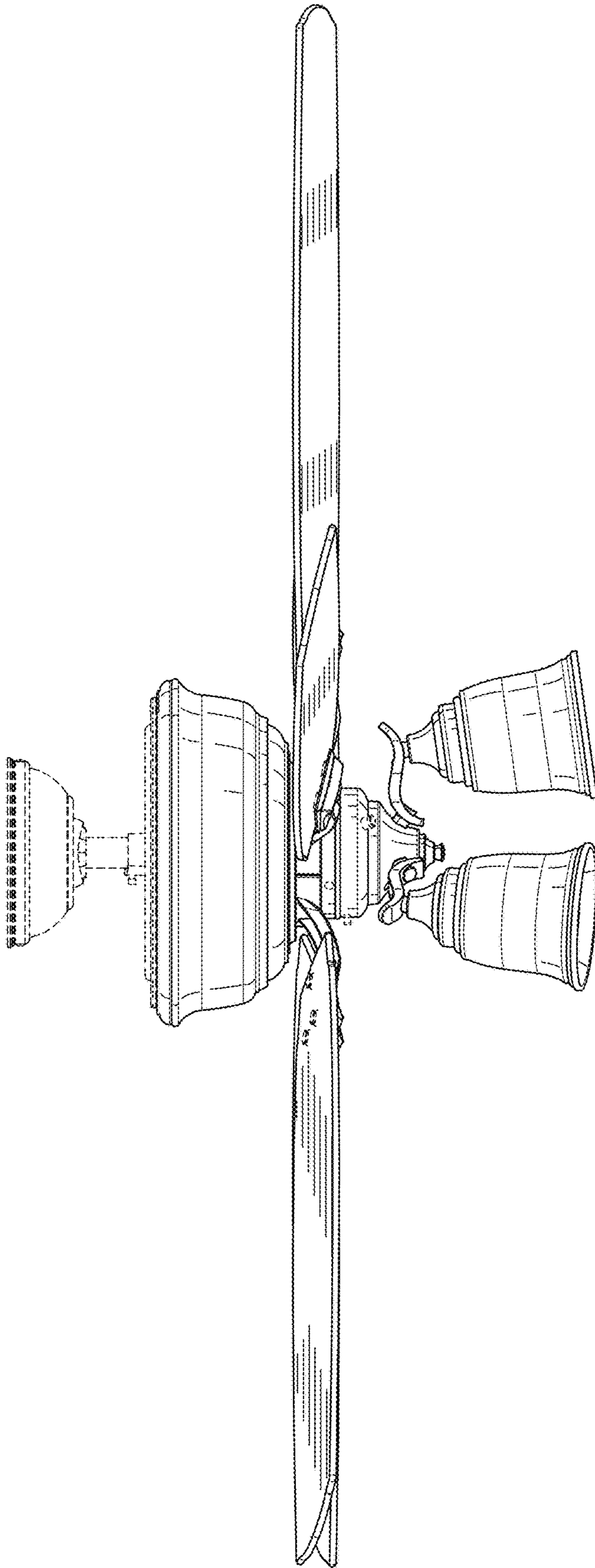


FIG. 6

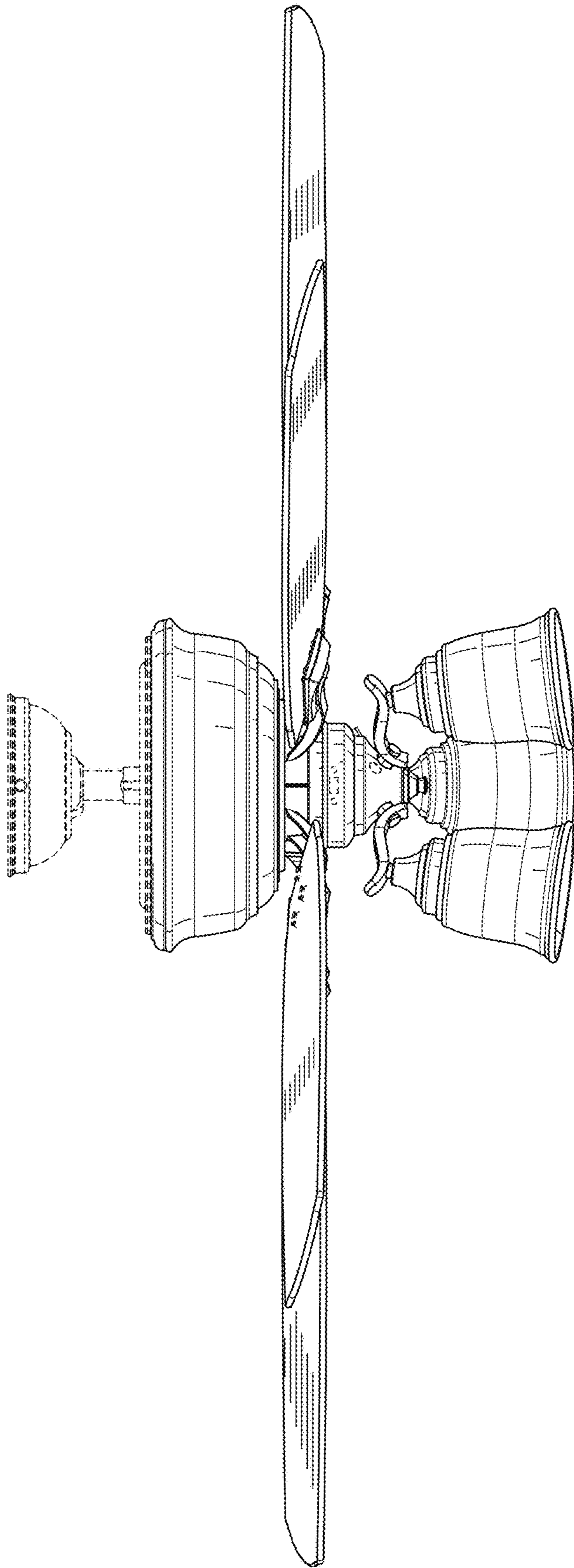


FIG. 7

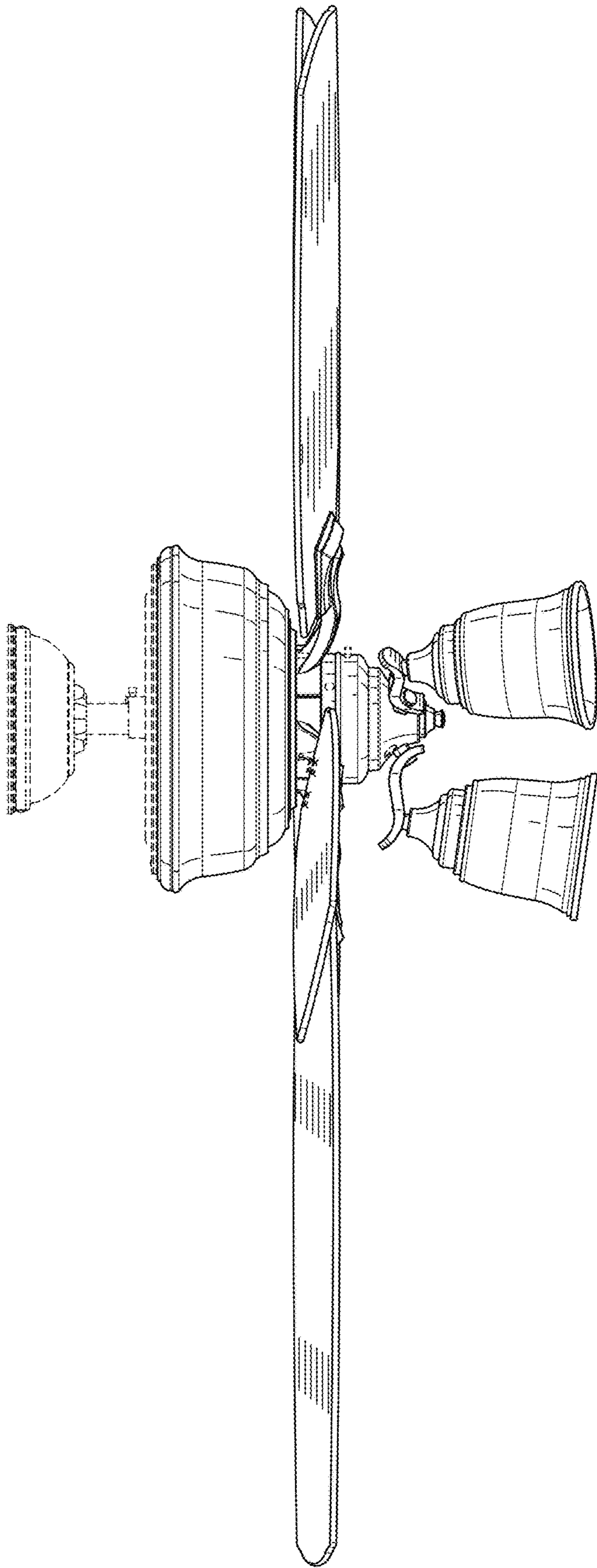


FIG. 8