



US00D804635S

(12) **United States Design Patent** (10) **Patent No.:** **US D804,635 S**  
**Holmes** (45) **Date of Patent:** **\*\* Dec. 5, 2017**

(54) **CEILING FAN**  
(71) Applicant: **HUNTER FAN COMPANY,**  
Memphis, TN (US)  
(72) Inventor: **Christine Holmes,** Memphis, TN (US)  
(73) Assignee: **Hunter Fan Company,** Memphis, TN  
(US)

D561,325 S \* 2/2008 Shirahama ..... D23/370  
D562,972 S \* 2/2008 Pickett ..... D23/411  
D583,040 S 12/2008 Hidalgo  
D585,585 S 1/2009 Hidalgo  
D599,474 S 9/2009 Klausning et al.  
D615,184 S 5/2010 Searle  
D619,238 S \* 7/2010 Hidalgo ..... D23/377  
D620,101 S 7/2010 Frampton et al.  
D627,873 S 11/2010 Pan  
(Continued)

(\*\*) Term: **15 Years**

**OTHER PUBLICATIONS**

(21) Appl. No.: **29/557,164**

Savoy House, date first available Jan. 23, 2016, amazon.com, site visited Jul. 14, 2017, Copyright © 1996-2017, Available from Internet, [https://www.amazon.com/Savoy-House-56-Ceiling-180-5CN-109/dp/B01AYQO9YC/ref=sr\\_1\\_1?ie=UTF8&qid=1500053000&sr=8-1&keywords=savoy+house+phoebe.\\*](https://www.amazon.com/Savoy-House-56-Ceiling-180-5CN-109/dp/B01AYQO9YC/ref=sr_1_1?ie=UTF8&qid=1500053000&sr=8-1&keywords=savoy+house+phoebe.*)

(22) Filed: **Mar. 7, 2016**

(51) **LOC (10) Cl.** ..... **23-04**

(52) **U.S. Cl.**  
USPC ..... **D23/377; D26/59**

(58) **Field of Classification Search**  
USPC ..... D23/355, 370-376, 378-387, 412, 414,  
D23/377, 411, 413; D26/59; D12/214  
CPC ..... F04D 25/088; F21V 33/0096  
See application file for complete search history.

(Continued)

*Primary Examiner* — Cathron C Brooks  
*Assistant Examiner* — Sharon S Oum  
(74) *Attorney, Agent, or Firm* — McGarry Bair PC

(56) **References Cited**

(57) **CLAIM**

**U.S. PATENT DOCUMENTS**

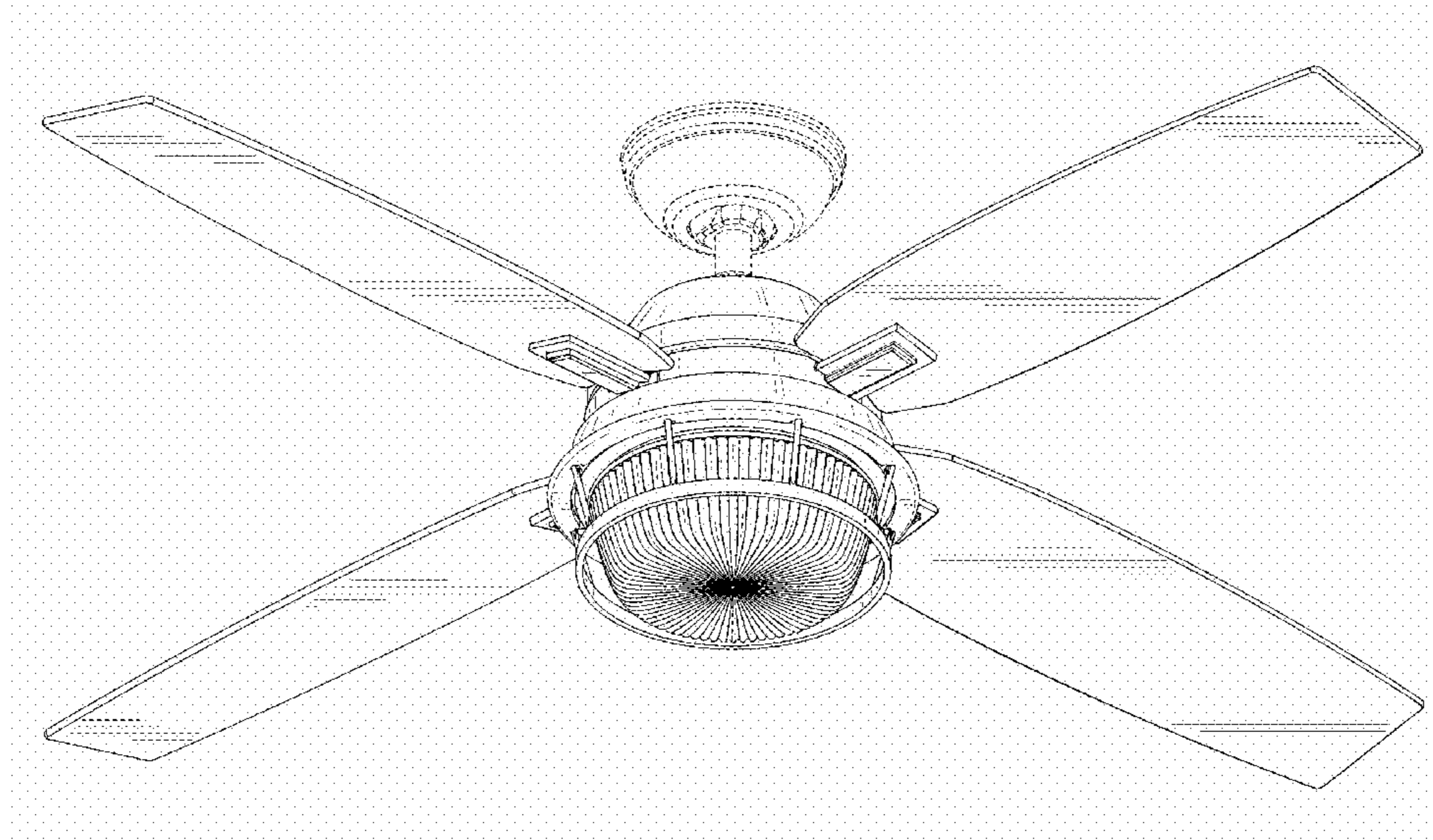
The ornamental design for a ceiling fan, as shown and described.

- D149,133 S \* 3/1948 Kisling ..... D23/377
- D328,638 S 8/1992 Hsieh
- D328,951 S 8/1992 Scofield et al.
- D341,419 S 11/1993 Taylor, III
- D388,871 S 1/1998 Gee, II
- D393,902 S 4/1998 Pickett
- D435,289 S 12/2000 Liu
- D442,275 S 5/2001 Dolan
- D478,654 S 8/2003 Hidalgo
- D483,847 S 12/2003 Tai
- D485,002 S \* 1/2004 Lin ..... D26/85
- D489,126 S \* 4/2004 Young ..... D23/411
- D504,173 S 4/2005 Cohen
- D517,675 S 3/2006 Young
- D520,633 S \* 5/2006 Tai ..... D23/411
- D525,739 S 7/2006 Wu
- D556,930 S 12/2007 Ertze

**DESCRIPTION**

FIG. 1 is a top perspective view of a ceiling fan showing my new design;  
FIG. 2 is a bottom perspective view of the ceiling fan of FIG. 1;  
FIG. 3 is a top view of the ceiling fan of FIG. 1;  
FIG. 4 is a bottom view of the ceiling fan of FIG. 1; and,  
FIG. 5 is a front side view of the ceiling fan of FIG. 1, with rear, right, and left side views being mirror images thereof. Portions of the drawings shown in broken lines form no part of the claimed design.

**1 Claim, 5 Drawing Sheets**



(56)

References Cited

U.S. PATENT DOCUMENTS

D633,194 S	2/2011	Frampton	
D660,952 S *	5/2012	Spaggiari .....	D23/370
D671,633 S *	11/2012	Glasbrenner .....	D23/385
D700,984 S	3/2014	Yang	
D704,819 S	5/2014	Wang	
D704,822 S	5/2014	Wang	
D705,922 S	5/2014	Wang	
D707,336 S	6/2014	Pan	
D717,935 S *	11/2014	Strecker .....	D23/377
D732,157 S	6/2015	Lin et al.	
D771,235 S *	11/2016	Hoff .....	D23/411
2016/0111816 A1 *	4/2016	Walker .....	F04D 25/0693 417/423.7

OTHER PUBLICATIONS

<http://www.kichler.com/products/product/54-inch-porters-lake-fan-mdw-310110mdw.aspx>, Item Specification for the Kichler 54 Inch Porters Lake Fan MDW, 310110MDW, accessed Mar. 7, 2016.

[http://www.homedepot.com/p/Hampton-Bay-Sussex II-52-in-Brushed-Nickel-Ceiling-Fan-AL694-BN/203244867](http://www.homedepot.com/p/Hampton-Bay-Sussex-II-52-in-Brushed-Nickel-Ceiling-Fan-AL694-BN/203244867), Item Specification for the Sussex II 52 in. Brushed Nickel Ceiling Fan, AL695-BN, accessed Mar. 7, 2016.

<http://www.hunterfan.com/Ceiling-Fans/Key-Biscayne?ModelNumber=59135>, Item Specification for the Key Biscayne—54" Ceiling Fan, 59135, accessed Mar. 7, 2016.

<http://www.homedepot.com/p/Hunter-Westcott-52-in-New-Bronze-Ceiling-Fan-21095/202052344>, Item Specification for the Hunter Fan Westcott 52 in. New Bronze Ceiling Fan, 21095, accessed Mar. 7, 2016.

<http://www.quorumlightinglights.com/product/quorum-alta-indoor-ceiling-fans-58524-86.html>, Item Specification for the Quorum International Alta 1 Light Ceiling Fan in Oiled Bronze with Walnut Blades, 58524-86, accessed Mar. 7, 2016.

<http://www.minkagroup.net/all-collections?keys=como>, Item Specification for the Como F603-ORB 54" ceiling fan, F603-ORB, accessed Mar. 7, 2016.

<http://www.fanimation.com/products/index.php/fans/xeno.html>, Item Specification for the Xeno, FP6728, accessed Mar. 7, 2016.

<http://www.craftmade.com/Craftmade-HE52SS5-Stainless-Steel-Ceiling-Fan.HTM>, Craftmade—HE52SS5—Helios 52" Ceiling Fan Blades Included in Stainless Steel, HE52SS5, accessed Mar. 7, 2016.

<http://www.homedepot.com/p/Hampton-Bay-Northport-52-in-Brushed-Nickel-Ceiling-Fan-14926/202790687>, Hampton Bay Northport 52 in. Brushed Nickel Ceiling Fan, 14926, accessed Mar. 7, 2016.

<http://www.kingoffans.com/#/products/ceilingFans>, Argenta 52" ceiling fan, 61615, accessed Mar. 7, 2016.

[http://ceilingfans.emerson.com/shop/en/fan/highrise-fan-p-cf430?cm\\_vc=&testElementId=&experimentId=](http://ceilingfans.emerson.com/shop/en/fan/highrise-fan-p-cf430?cm_vc=&testElementId=&experimentId=), Highrise ceiling fan, CF430ORB, accessed Mar. 7, 2016.

<http://www.minkagroup.net/all-collections?keys=F695-CC+>, Kafe 52" ceiling fan, F695-CC, accessed Mar. 7, 2016.

<http://www.casablancafanco.com/Ceiling-Fans/Tribeca?ModelNumber=59499>, Tribeca 52" Ceiling Fan, 59499, accessed Mar. 7, 2016.

<http://www.homedepot.com/p/GE-Treviso-52-in-OilRubbed-Bronze-Indoor-LED-Ceiling-Fan-20321/206087472>, Treviso 52 in. Oil Rubbed Bronze Indoor LED Ceiling Fan, 20321, accessed Mar. 7, 2016.

<http://www.kichler.com/products/product/60-terra-select-ceiling-fan-bap-330250bap.aspx>, Terra Select Collection 60" Terra Select Ceiling Fan BAP, 330250BAP, accessed Mar. 7, 2016.

<http://www.kingoffans.com/#/products/ceilingFans>, North ceiling fan, 51546, accessed Mar. 7, 2016.

<http://www.craftmade.com/Craftmade-MOR54ESP3-Espresso-Ceiling-Fan.HTM>, Craftmade—MOR54ESP3—Moorestad 54" Ceiling Fan Blades Included in Espresso with Matte Opal Glass, MOR54ESP3, accessed Mar. 7, 2016.

<http://ceilingfans.emerson.com/shop/en/fan/fans-s-emerson-fans/emerson-fans-browse-all/amhurst-fan-p-cf880>, Amhurst, CF880BS, accessed Mar. 7, 2016.

<http://www.kingoffans.com/#/products/ceilingFans>, Riverwalk ceiling fan, 43247, accessed Mar. 7, 2016.

\* cited by examiner

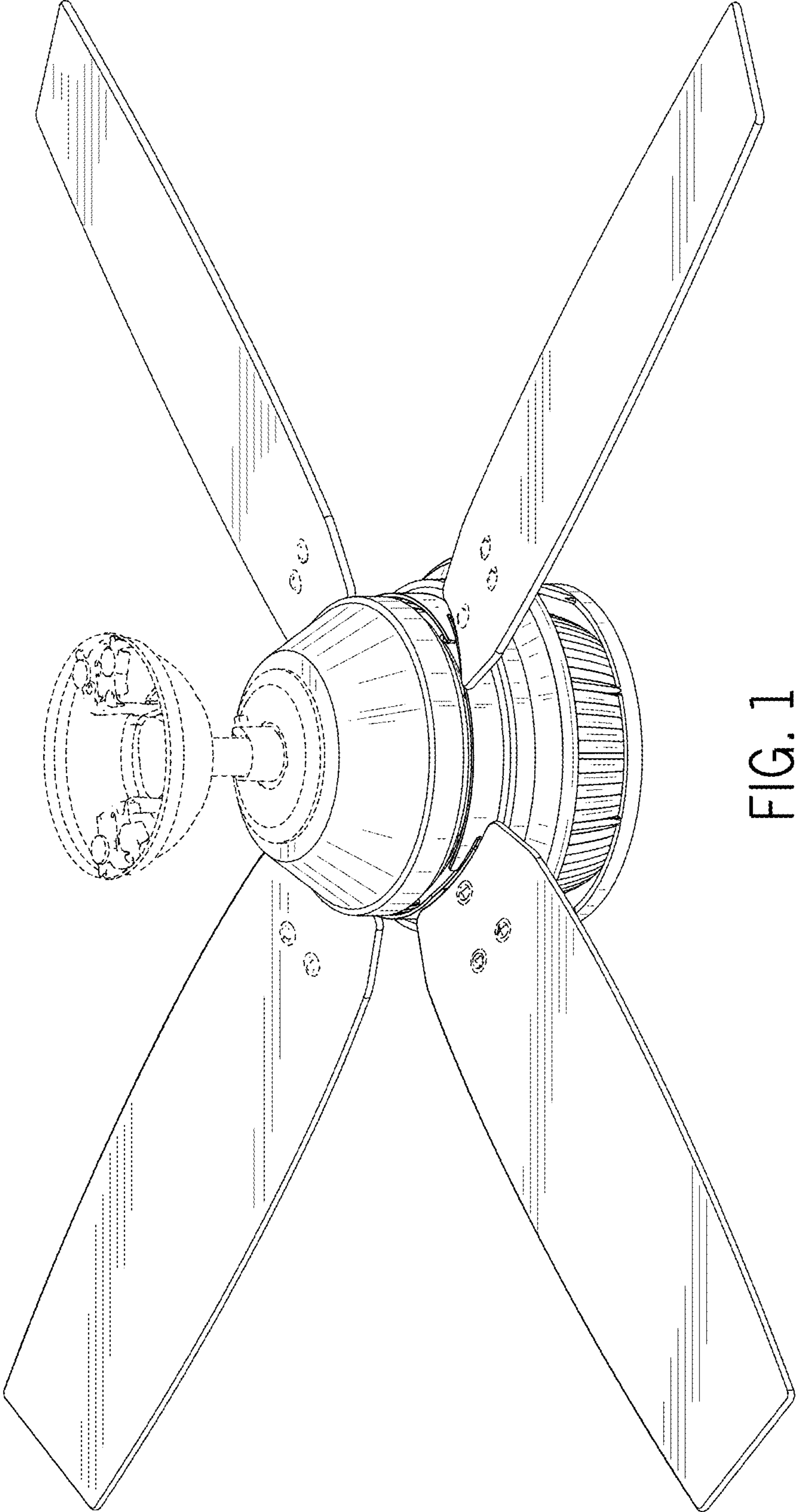


FIG. 1

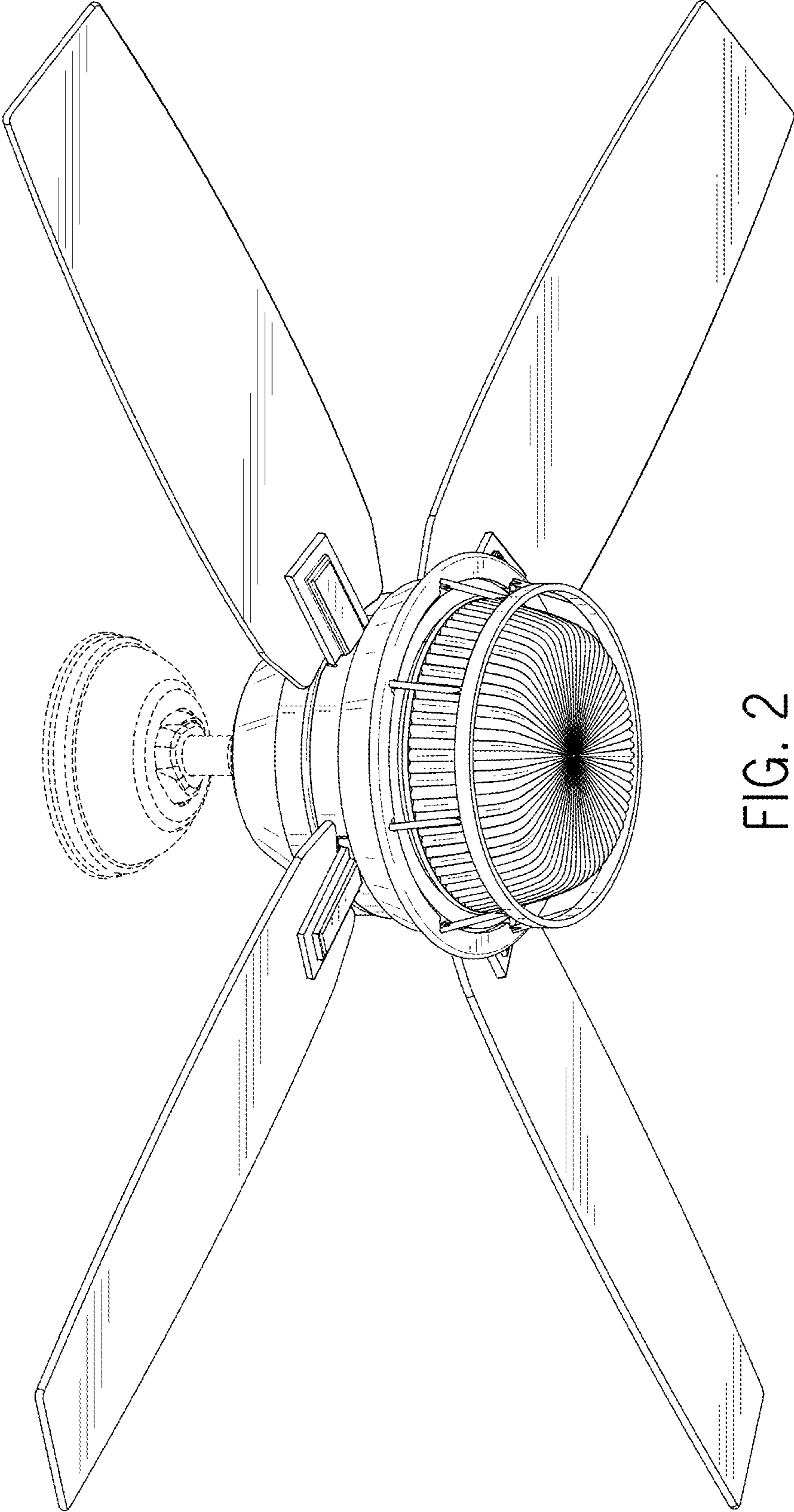


FIG. 2

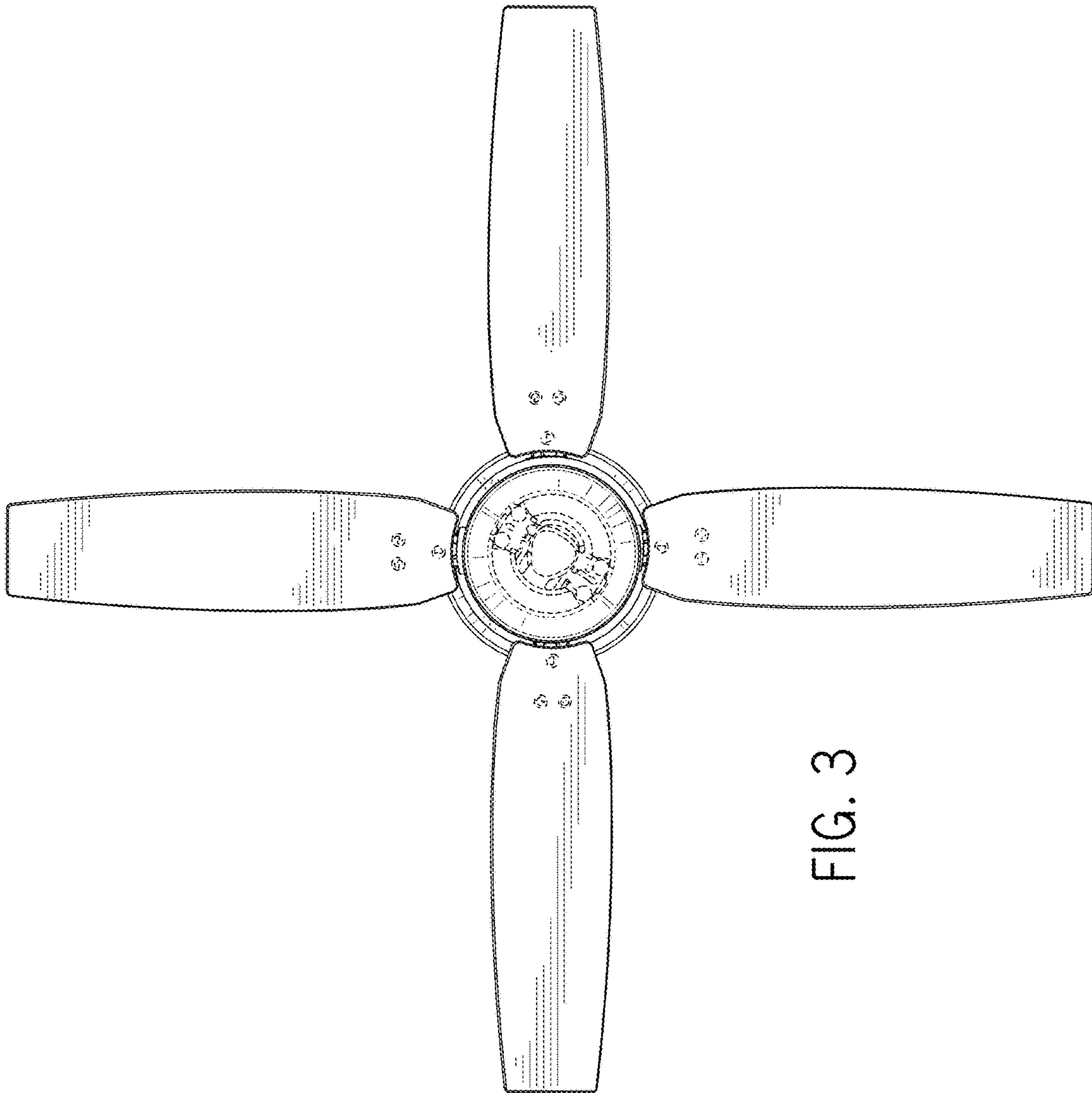


FIG. 3

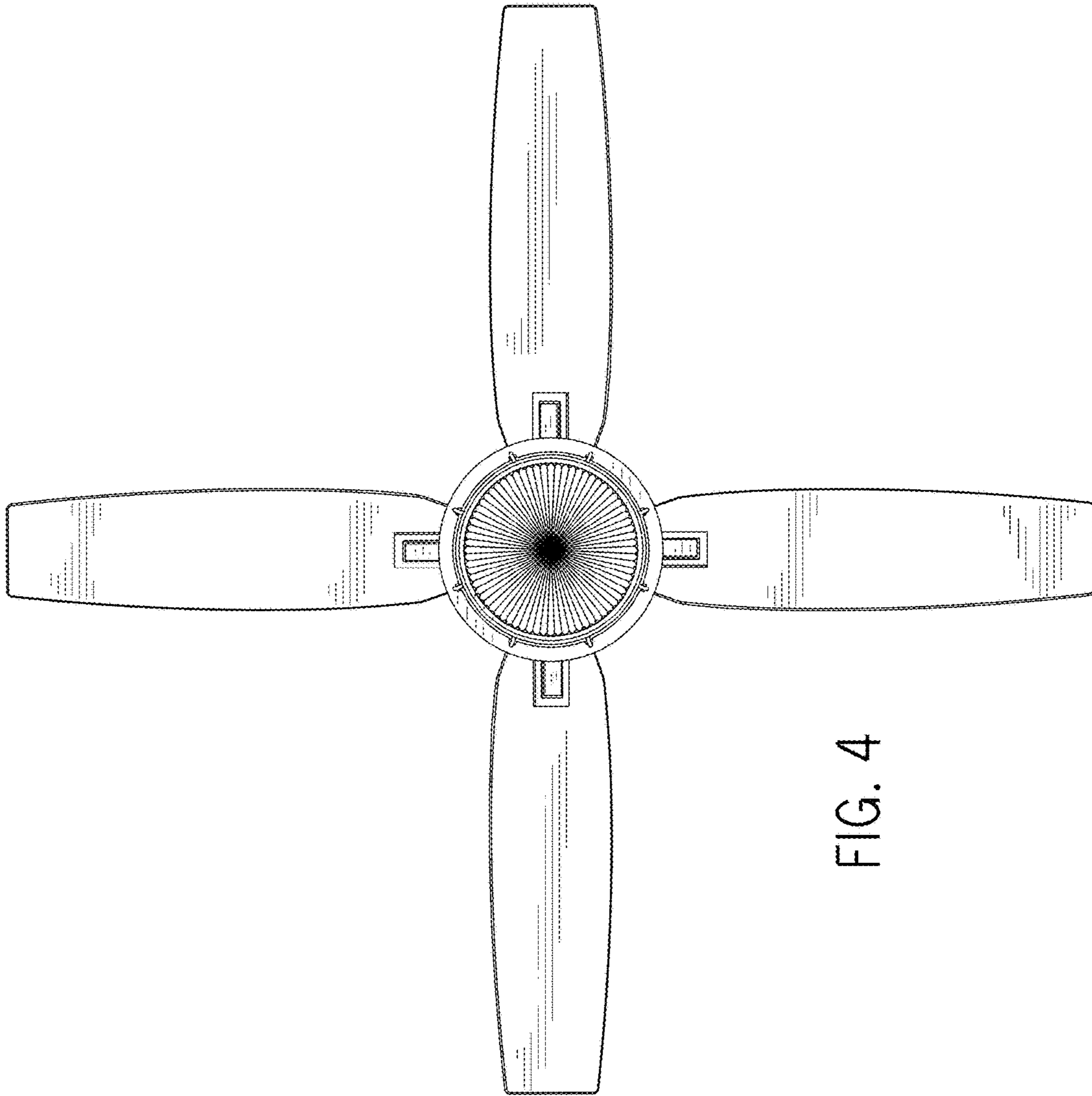


FIG. 4

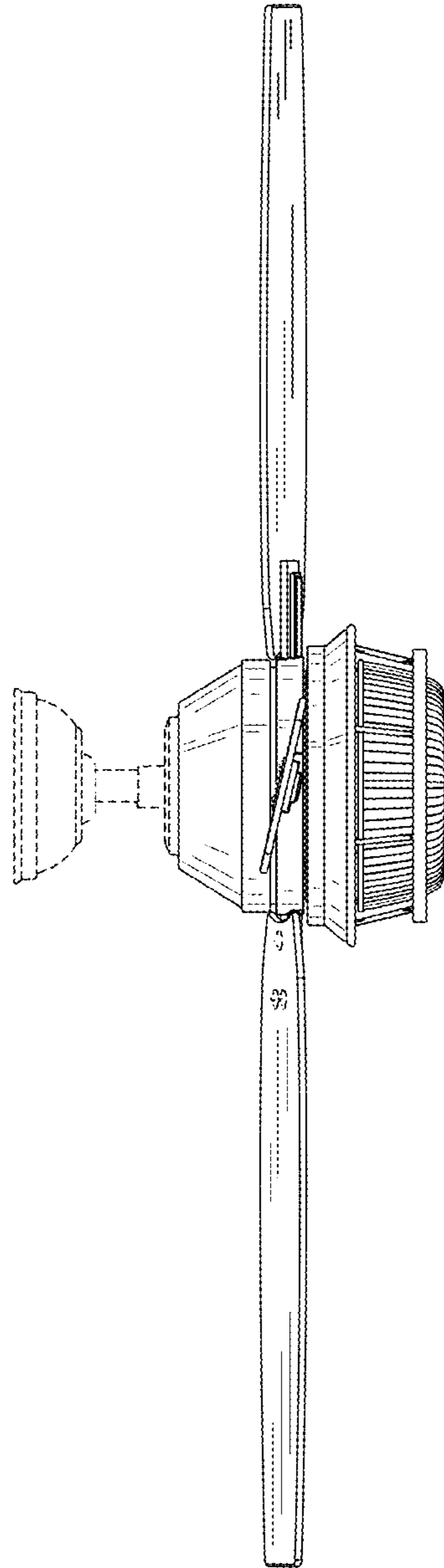


FIG. 5