



US00D804634S

(12) **United States Design Patent** (10) **Patent No.:** **US D804,634 S**  
**Holmes** (45) **Date of Patent:** **\*\* Dec. 5, 2017**

(54) **CEILING FAN**  
(71) Applicant: **HUNTER FAN COMPANY**,  
Memphis, TN (US)  
(72) Inventor: **Christine Holmes**, Memphis, TN (US)  
(73) Assignee: **Hunter Fan Company**, Memphis, TN  
(US)  
(\*\*) Term: **15 Years**  
(21) Appl. No.: **29/557,161**  
(22) Filed: **Mar. 7, 2016**  
(51) **LOC (10) Cl.** ..... **23-04**  
(52) **U.S. Cl.**  
USPC ..... **D23/377**; D26/59  
(58) **Field of Classification Search**  
USPC ..... D23/355, 370-376, 378, 380-384,  
D23/386-387, 412, 414, 377, 379, 385,  
D23/411, 413; D26/59  
CPC ..... F04D 25/088; F21V 33/0096  
See application file for complete search history.

D626,207 S \* 10/2010 Searle ..... D23/377  
D713,026 S \* 9/2014 Glasbrenner ..... D23/411  
D715,919 S \* 10/2014 Pan ..... D23/411

**OTHER PUBLICATIONS**

[http://www.lowes.com/pd\\_357400-93591-00872\\_1z0vgaxZ1z140v4\\_?productId=50057267&pl=1](http://www.lowes.com/pd_357400-93591-00872_1z0vgaxZ1z140v4_?productId=50057267&pl=1), Item Specification for Harbor Breeze 52-in Specialty Bronze Flush Mount Indoor Ceiling Fan with Light Kit at Lowes.com, Item #357400, Model #00872, accessed Mar. 7, 2016.  
[http://www.lowes.com/pd\\_593747-17115-40692\\_1z0vgaxZ1z140v4\\_?productId=50354990&pl=1](http://www.lowes.com/pd_593747-17115-40692_1z0vgaxZ1z140v4_?productId=50354990&pl=1), Item Specification for Harbor Breeze Pawtucket 52-in Oil Rubbed Bronze Flush Mount Indoor Ceiling Fan with Light Kit and Remote at Lowes.com, Item #593747, Model #40692, accessed Mar. 7, 2016.

(Continued)

*Primary Examiner* — Cathron C Brooks  
*Assistant Examiner* — Sharon S Oum  
(74) *Attorney, Agent, or Firm* — McGarry Bair PC

(57) **CLAIM**

The ornamental design for a ceiling fan, as shown and described.

**DESCRIPTION**

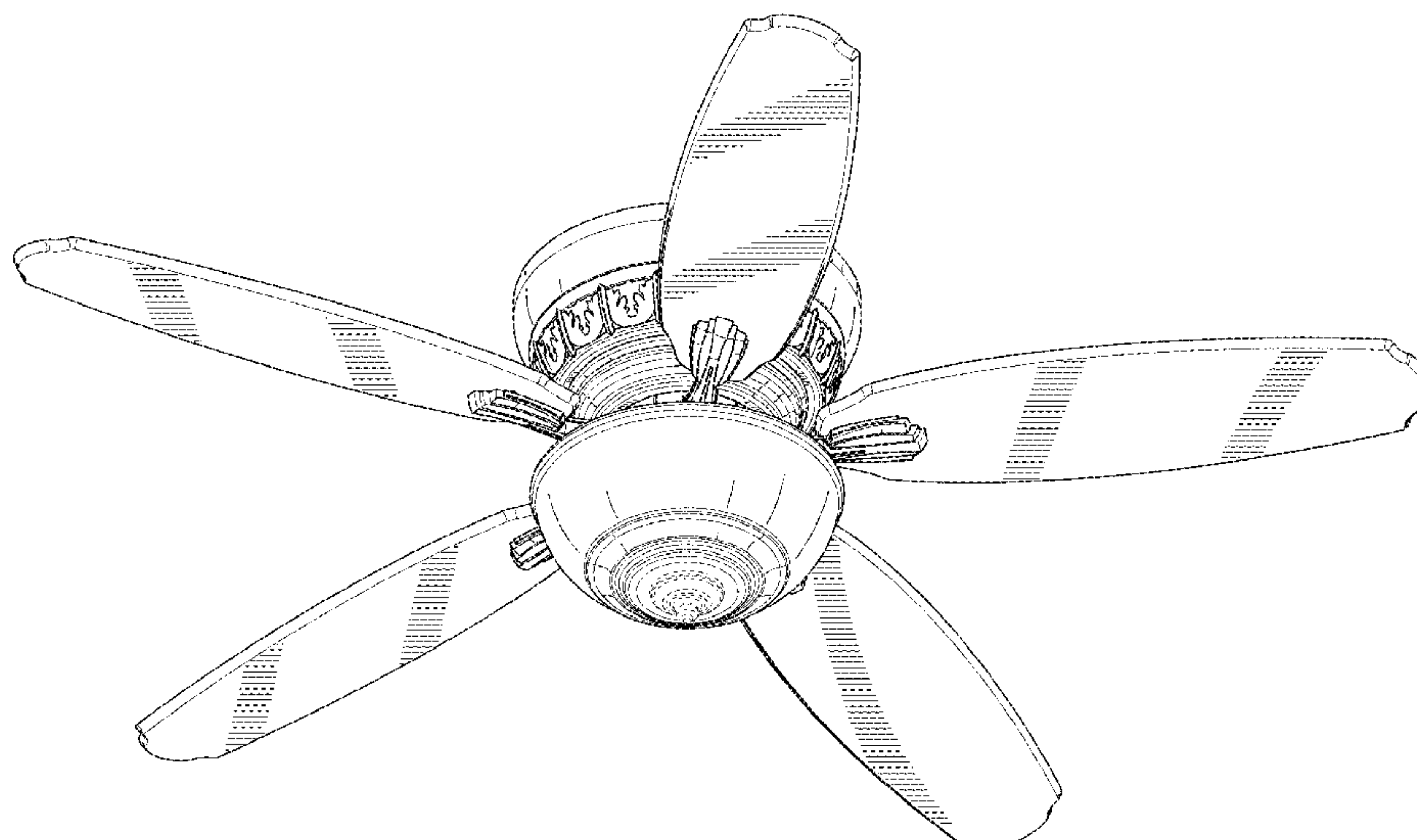
FIG. 1 is a bottom perspective view of a ceiling fan showing my new design;  
FIG. 2 is a top perspective view of the ceiling fan of FIG. 1;  
FIG. 3 is a top view of the ceiling fan of FIG. 1;  
FIG. 4 is a bottom view of the ceiling fan of FIG. 1;  
FIG. 5 is a left side view of the ceiling fan of FIG. 1;  
FIG. 6 is a front side view of the ceiling fan of FIG. 1;  
FIG. 7 is a right side view of the ceiling fan of FIG. 1; and,  
FIG. 8 is a rear side view of the ceiling fan of FIG. 1.  
Portions of the ceiling fan shown in broken lines form no part of the claimed design.

**1 Claim, 8 Drawing Sheets**

(56) **References Cited**

**U.S. PATENT DOCUMENTS**

4,640,668 A \* 2/1987 Yang ..... F04D 25/088  
310/68 E  
D382,638 S \* 8/1997 Davis, Jr. .... D23/385  
D408,525 S \* 4/1999 Tsuji ..... D23/385  
D409,301 S \* 5/1999 Thomas ..... D23/385  
D414,258 S \* 9/1999 Yao ..... D23/377  
D432,228 S \* 10/2000 Liu ..... D23/411  
D528,198 S \* 9/2006 Dye ..... D23/411  
D532,101 S \* 11/2006 Curtin ..... D23/411  
D535,386 S 1/2007 Picket  
D536,777 S \* 2/2007 Hidalgo ..... D23/377  
D540,937 S 4/2007 Picket  
D570,986 S \* 6/2008 Flores ..... D23/377  
D621,497 S \* 8/2010 Chen ..... D23/377  
D621,498 S 8/2010 Chen



(56)

**References Cited**

## OTHER PUBLICATIONS

<http://www.minkagroup.net/products/f659-bcw>, Item Specification for Classica 54" 5 Blades Fan at minkagroup.net, Item #F659-BCW, accessed Mar. 7, 2016.

<http://www.quoruminternational.com/index.cfm/app/productDetail?product=28682-86>, Item Specification for Oiled Bronze Ceiling Fan Distressed Vintage Walnut Blades at quoruminternational.com, Item #28682-86, accessed Mar. 7, 2016.

<http://www.craftmade.com/Craftmade-OMI52AGVM-Bronze-Outdoor-Ceiling-Fan.HTM>, Item Specification for Craftmade-OMI52AGVM-Mia Outdoor 52" Ceiling Fan in Aged Bronze and Vintage Madera at craftmade.com, accessed Mar. 7, 2016.

<http://www.hunterfan.com/Ceiling-Fans/Morris-County?ModelNumber=53260>, Item Specification for Morris County-52" Ceiling Fan at hunterfan.com, Item #53260, accessed Mar. 7, 2016.

<http://www.hunterfan.com/Ceiling-Fans/Bowmore?ModelNumber=52222>, Item Specification for Bowmore-52" Ceiling Fan at hunterfan.com, Item #52222, accessed Mar. 7, 2016.

<http://www.homedepot.com/p/Hampton-Bay-Chastain-II-52-in-Oil-Rubbed-Bronze-Ceiling-Fan-YG394-ORB/203786343>, Item Specification for Hampton Bay Chastain II 52 in. Oil Rubbed Bronze Ceiling Fan at homedepot.com, Model #YG394-ORB, Internet #203786343, accessed Mar. 7, 2016.

<http://www.montecarlofans.com/18790/Royal-Danube-Fan-Blades-Separate-Roman-Bronze-5RDRRB.html>, Item Specification for Royal Danube Fan at montecarlofans.com, Product #5RDRRB, accessed Mar. 7, 2016.

\* cited by examiner

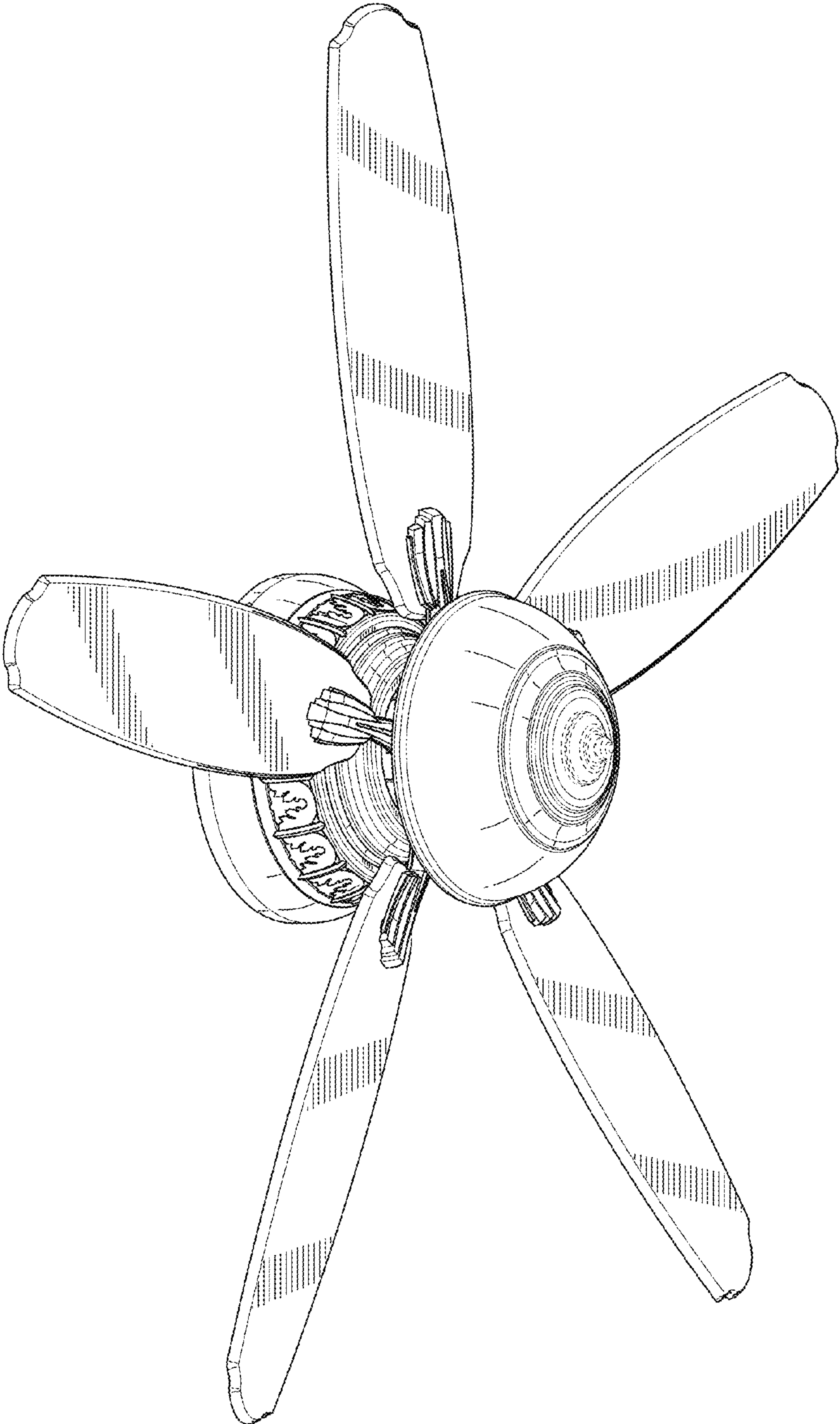


FIG. 1



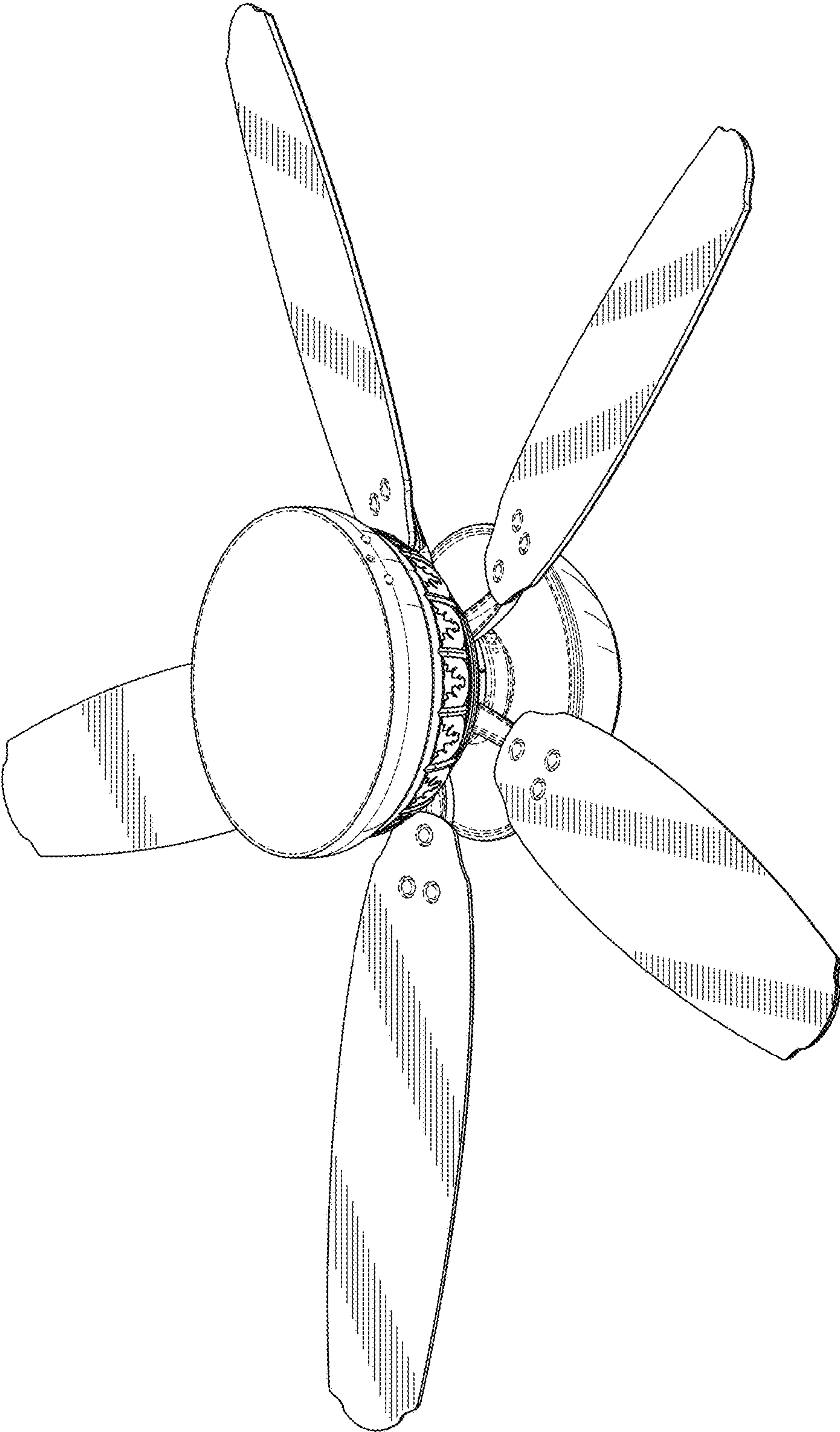


FIG. 2

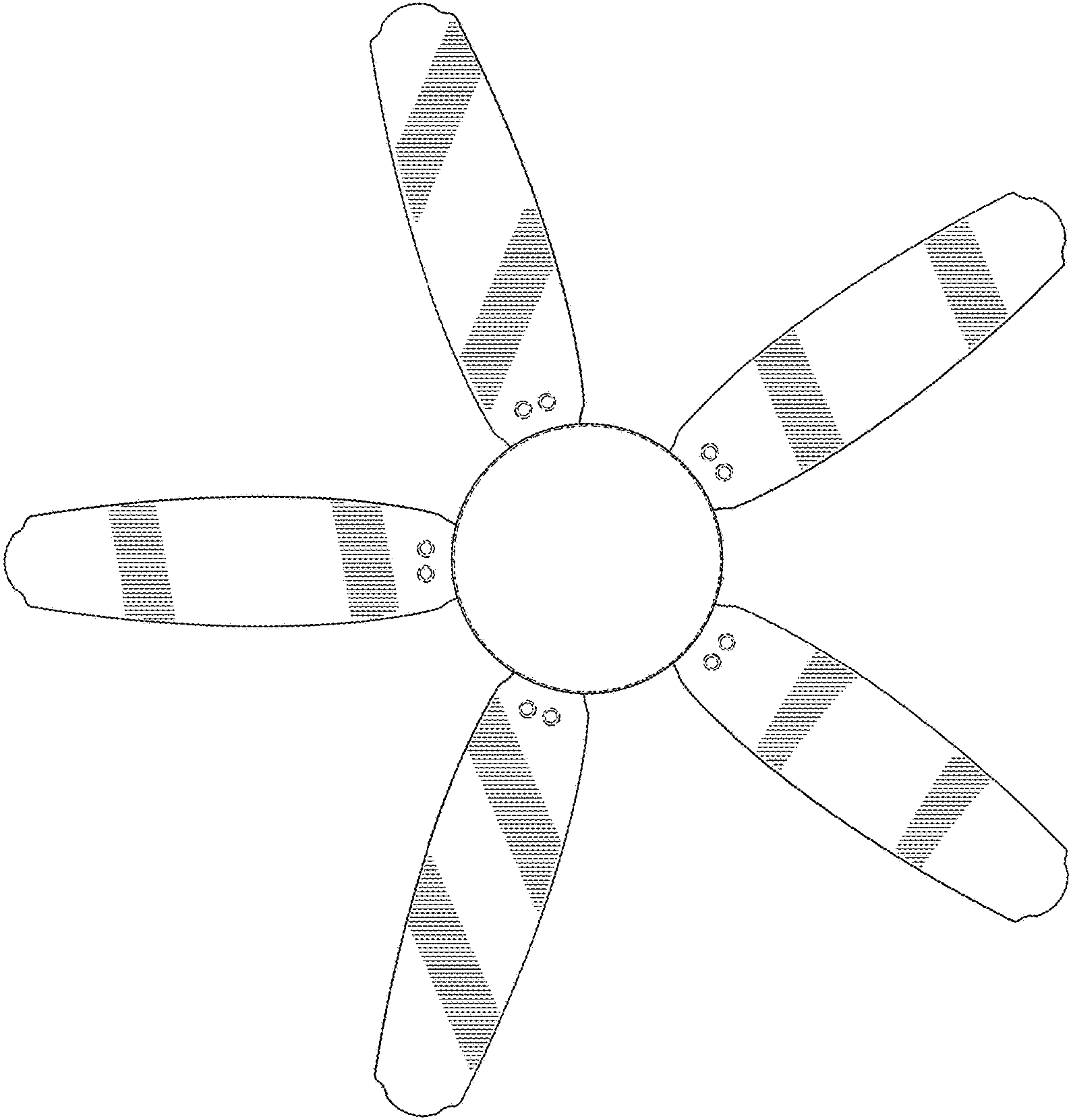


FIG. 3

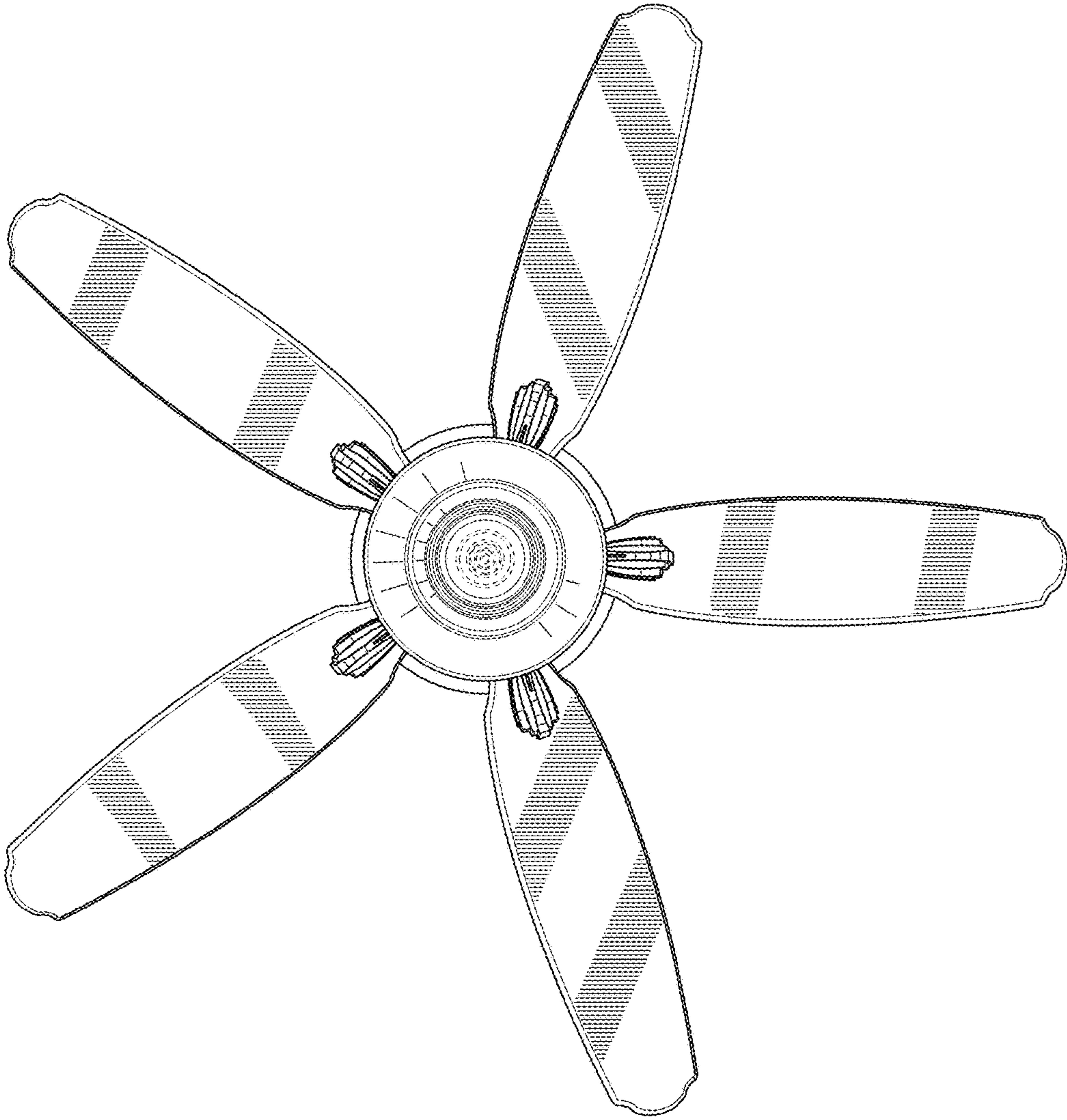


FIG. 4

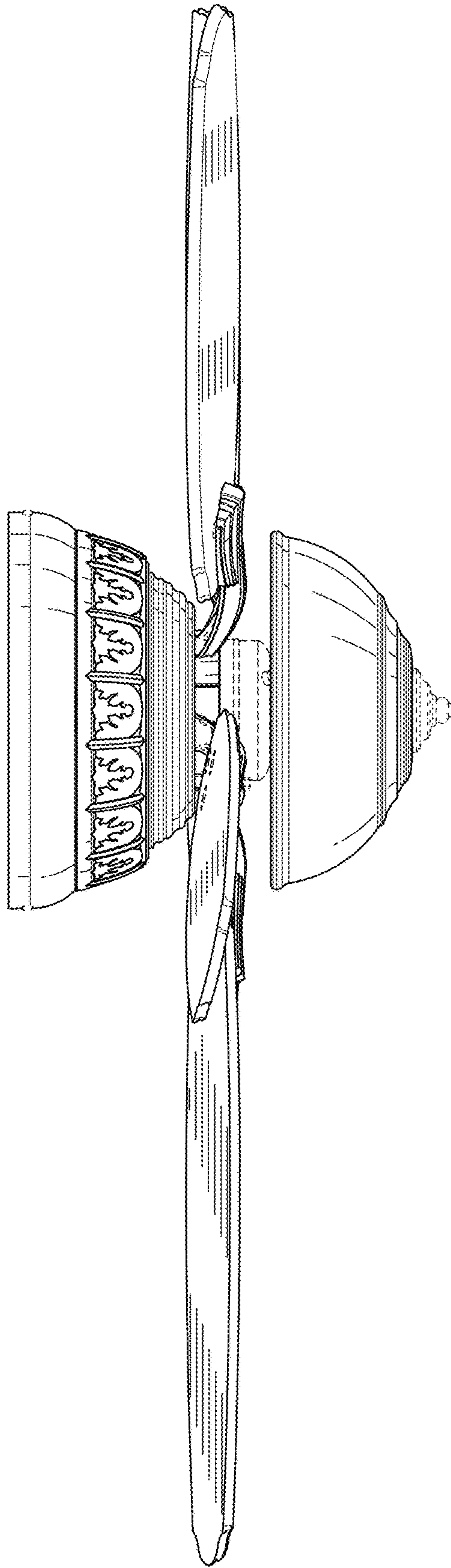


FIG. 5

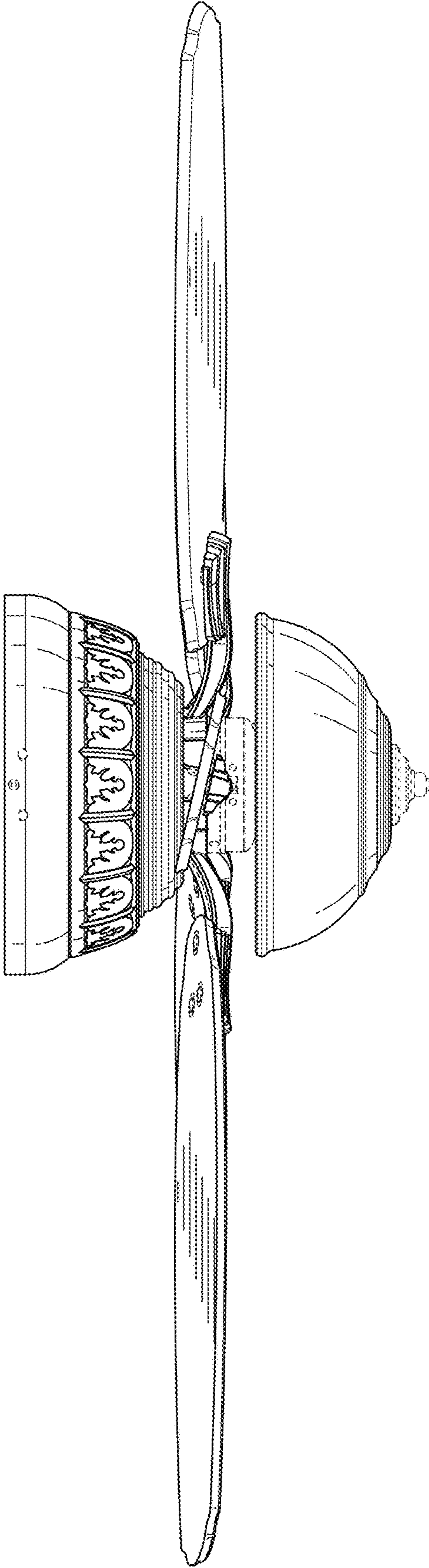


FIG. 6



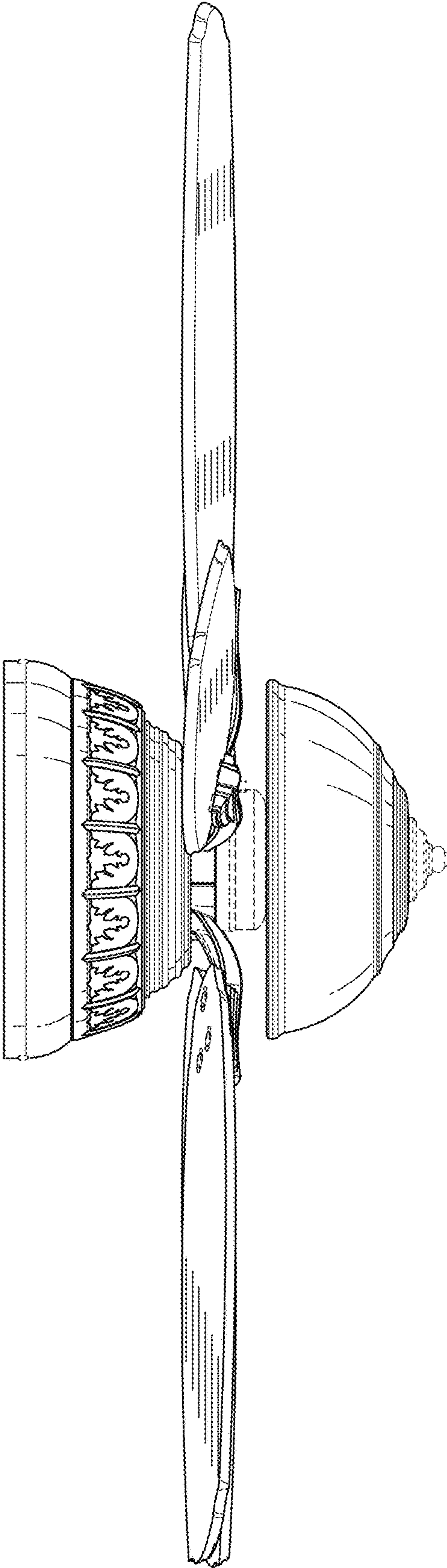


FIG. 7

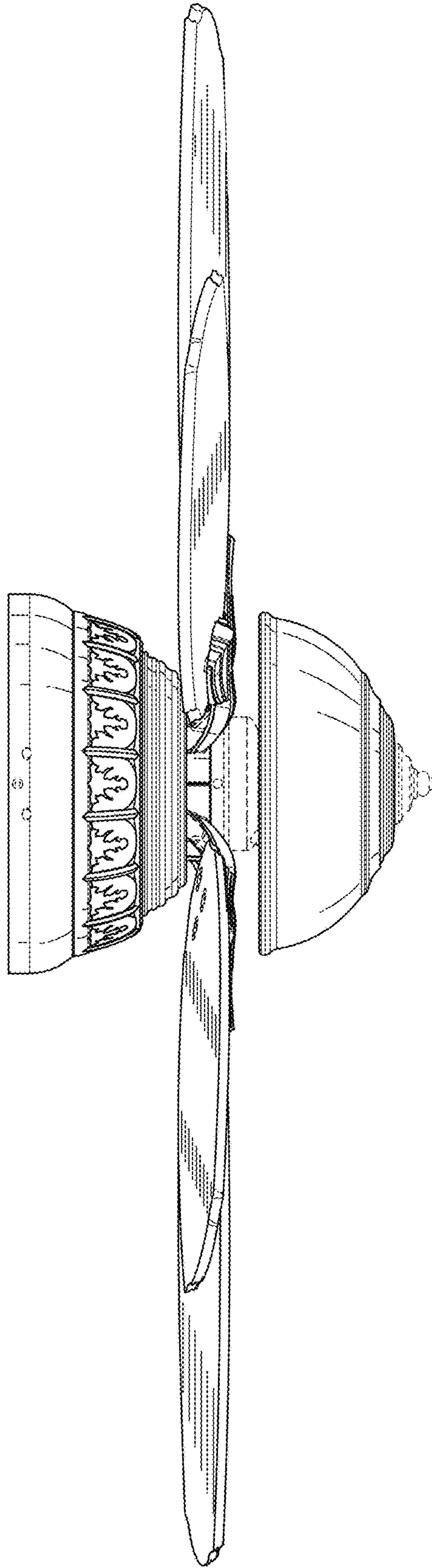


FIG. 8