



US00D804633S

(12) **United States Design Patent** (10) **Patent No.:** **US D804,633 S**
Holmes (45) **Date of Patent:** **** Dec. 5, 2017**

- (54) **CEILING FAN**
- (71) Applicant: **HUNTER FAN COMPANY**,
Memphis, TN (US)
- (72) Inventor: **Christine Holmes**, Memphis, TN (US)
- (73) Assignee: **Hunter Fan Company**, Memphis, TN
(US)
- (**) Term: **15 Years**
- (21) Appl. No.: **29/557,125**
- (22) Filed: **Mar. 6, 2016**
- (51) **LOC (10) Cl.** **D23-04**
- (52) **U.S. Cl.**
USPC **D23/377**; D26/59
- (58) **Field of Classification Search**
USPC D23/355, 370–376, 378, 380–384,
D23/386–387, 412, 414, 377, 379, 385,
D23/411, 413; D26/59
CPC F04D 25/088; F21V 33/0096
See application file for complete search history.

(56) **References Cited**

U.S. PATENT DOCUMENTS

D421,799 S	*	3/2000	Zuege	D23/377
D452,908 S		1/2002	Dolan		
D478,976 S		8/2003	Young		
D504,173 S		4/2005	Cohen		
D506,542 S		6/2005	Thomas, Jr.		
D543,268 S		5/2007	Ertze		
D585,585 S		1/2009	Hidalgo		
D594,958 S	*	6/2009	Hidalgo	D23/377
D603,035 S		10/2009	Yang		
D609,325 S		2/2010	Chen		
D695,448 S	*	12/2013	Orozco	D26/129
D732,157 S	*	6/2015	Lin	D23/377
D745,956 S		12/2015	Ertze		

OTHER PUBLICATIONS

<http://www.kichler.com/products/product/52-inch-starkk-ceiling-fan-ni-300173ni.aspx>, Item Specification for the Starkk Collection 52 Inch Starkk Ceiling Fan NI 300173NI (Brushed Nickel), accessed Mar. 4, 2016.

<http://www.kingoffans.com/photos/manuals/185.pdf>, North, King of Fans Model #51546, 30 pages, accessed Mar. 4, 2016.
<http://www.kichler.com/products/product/54-inch-seaside-fan-oz-310131oz.aspx>, Item Specification for the Seaside Collection 54 Inch Seaside Fan OZ 310131OZ (Olde Bronze), accessed Mar. 4, 2016.
<http://www.montecarlofans.com/32467/52-Aviary-Dark-Bronze-4AIR52DBD.html>, Item Specification for the Aviary Product #: 4AIR52DBD, Finish: Dark Bronze, accessed Mar. 4, 2016.
[http://www.montecarlofans.com/22172/52-Burnet-Outdoor-Fan-Roman-Bronze-\(Wet-Rated\)-5BR52RBD.html](http://www.montecarlofans.com/22172/52-Burnet-Outdoor-Fan-Roman-Bronze-(Wet-Rated)-5BR52RBD.html), Item Specification for the Burnet Collection 52" 5-Blade Indoor/Outdoor Fan w/Light Kit Product #: 5BR52RBD, accessed Mar. 4, 2016.

* cited by examiner

Primary Examiner — Cathron C Brooks
Assistant Examiner — Sharon S Oum
(74) *Attorney, Agent, or Firm* — McGarry Bair PC

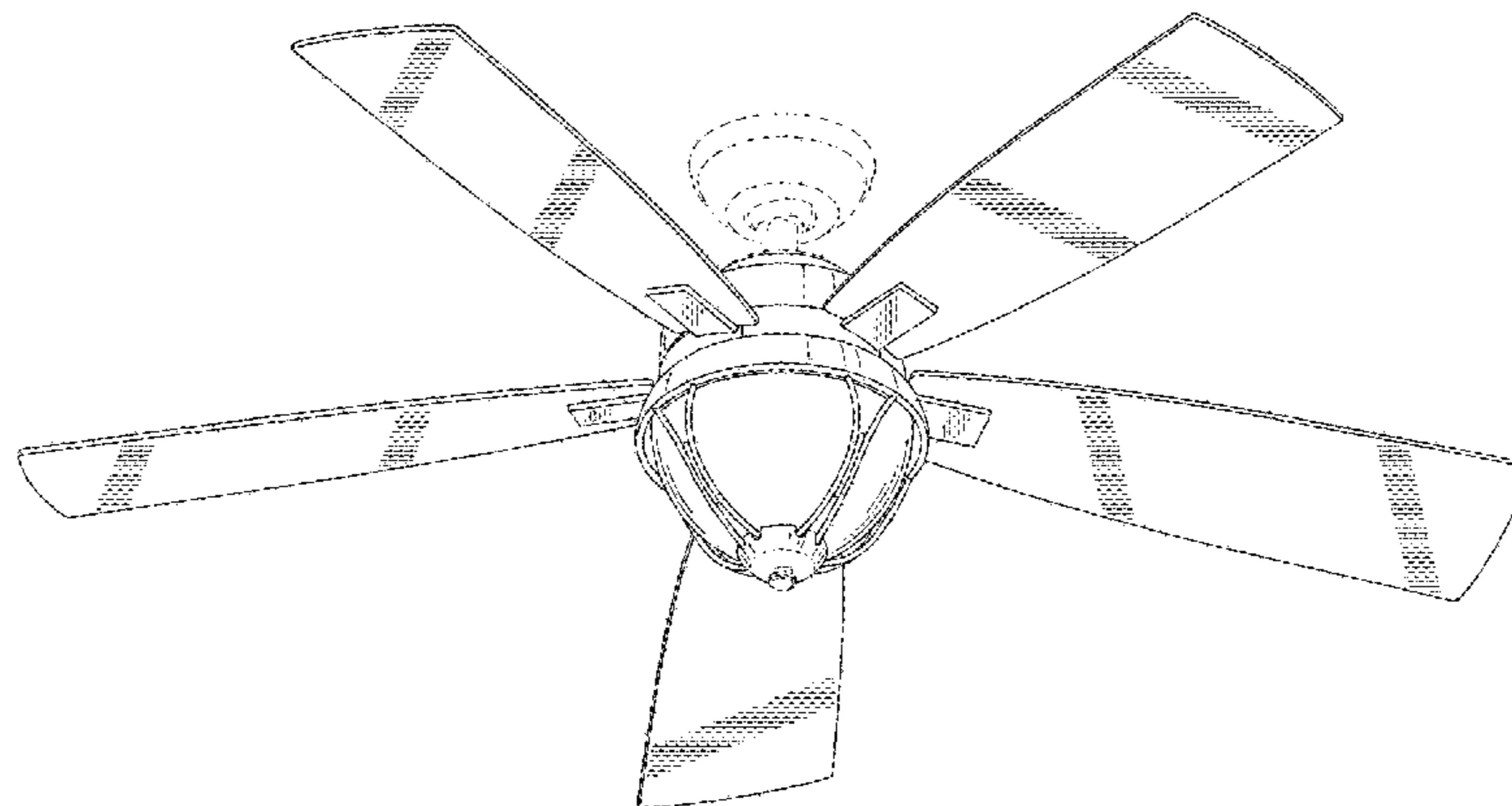
(57) **CLAIM**

The ornamental design for a ceiling fan, as shown and described.

DESCRIPTION

FIG. 1 is a top perspective view of a ceiling fan showing my new design;
FIG. 2 is a bottom perspective view of the ceiling fan of FIG. 1;
FIG. 3 is a top view of the ceiling fan of FIG. 1;
FIG. 4 is a bottom view of the ceiling fan of FIG. 1;
FIG. 5 is a front side view of the ceiling fan of FIG. 1;
FIG. 6 is a rear side view of the ceiling fan of FIG. 1;
FIG. 7 is a left side view of the ceiling fan of FIG. 1; and,
FIG. 8 is a right side view of the ceiling fan of FIG. 1.
Portions of the ceiling fan shown in broken lines form no part of the claimed design.

1 Claim, 6 Drawing Sheets



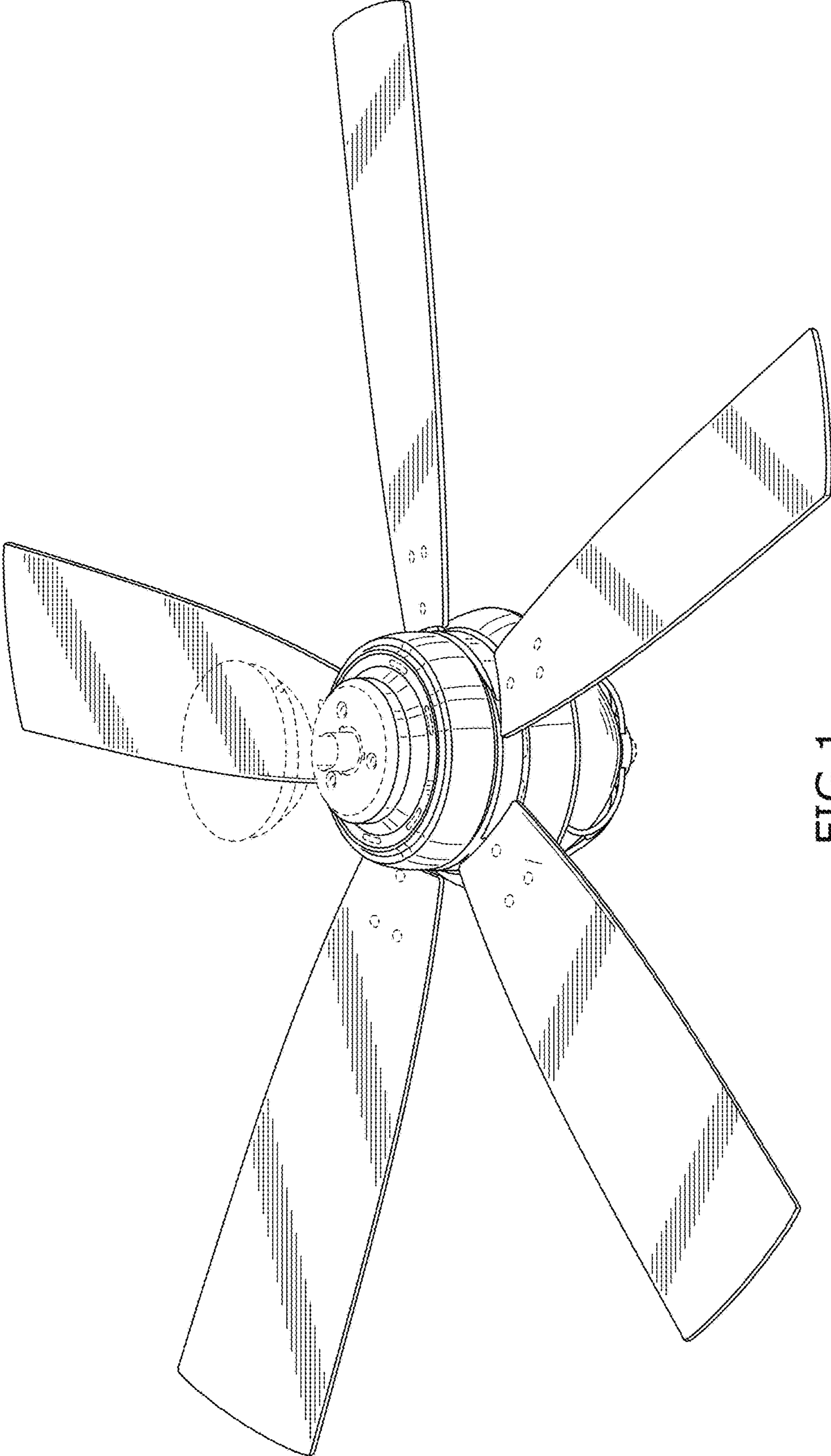


FIG.1

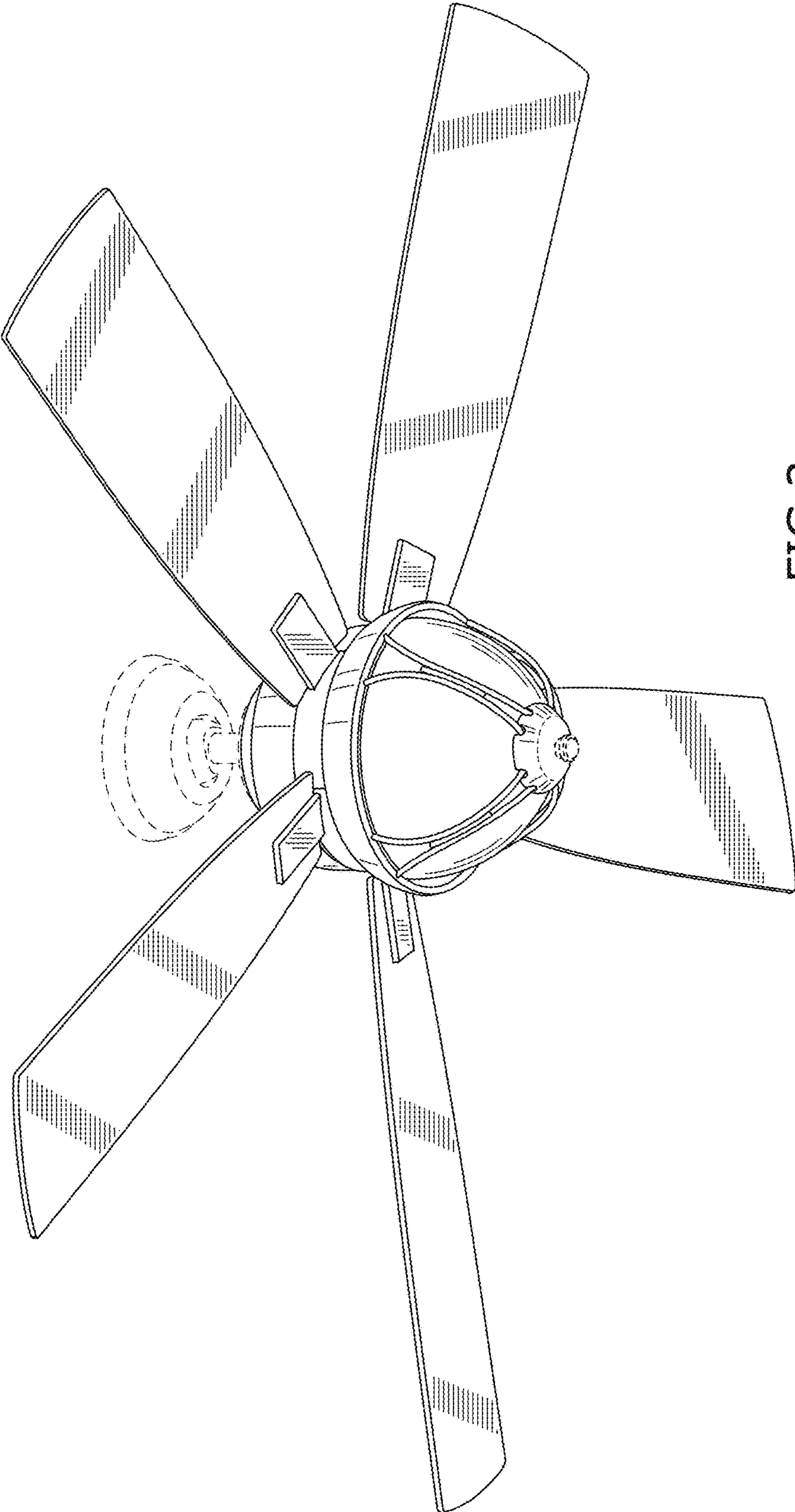


FIG. 2

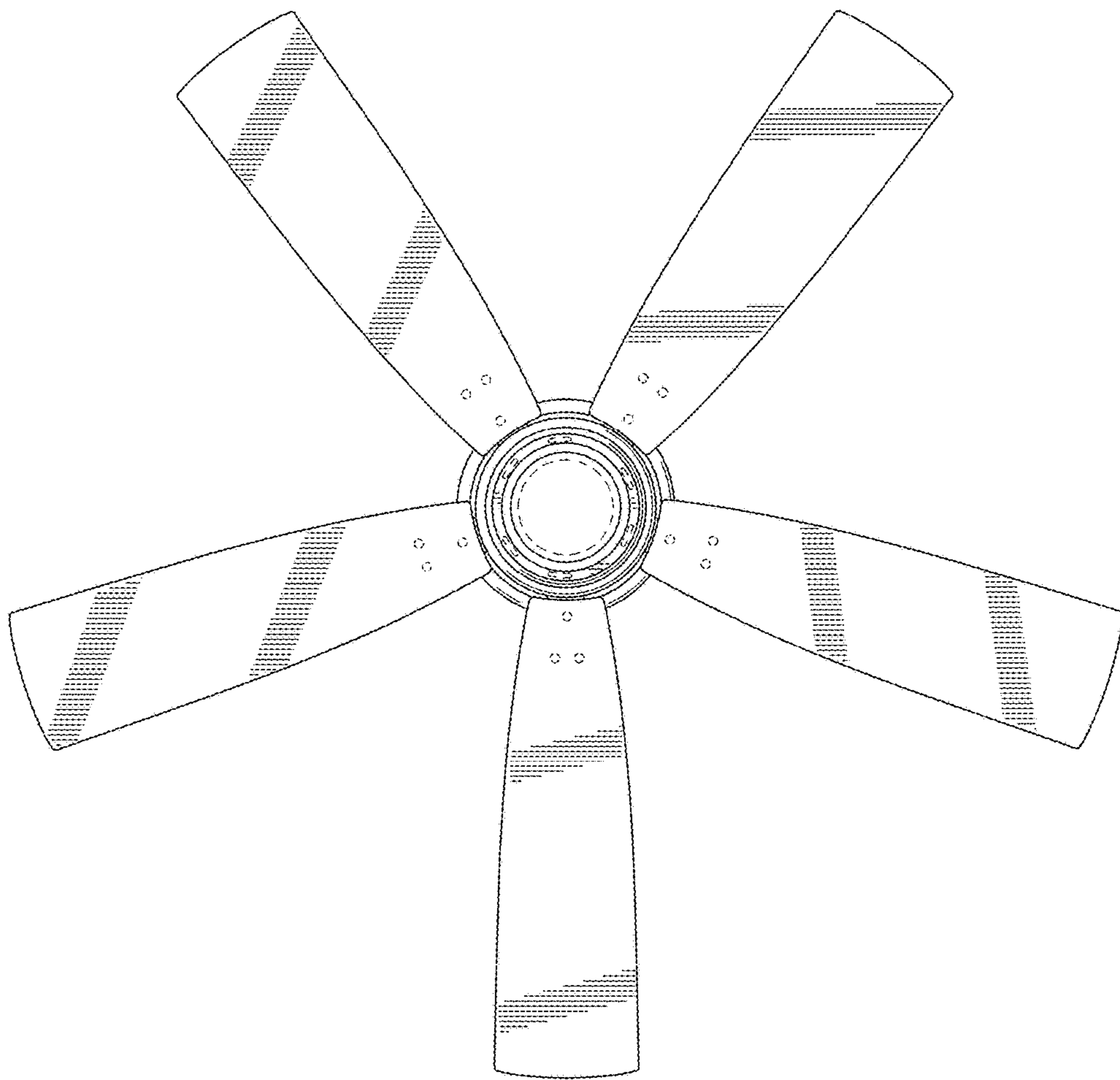


FIG.3

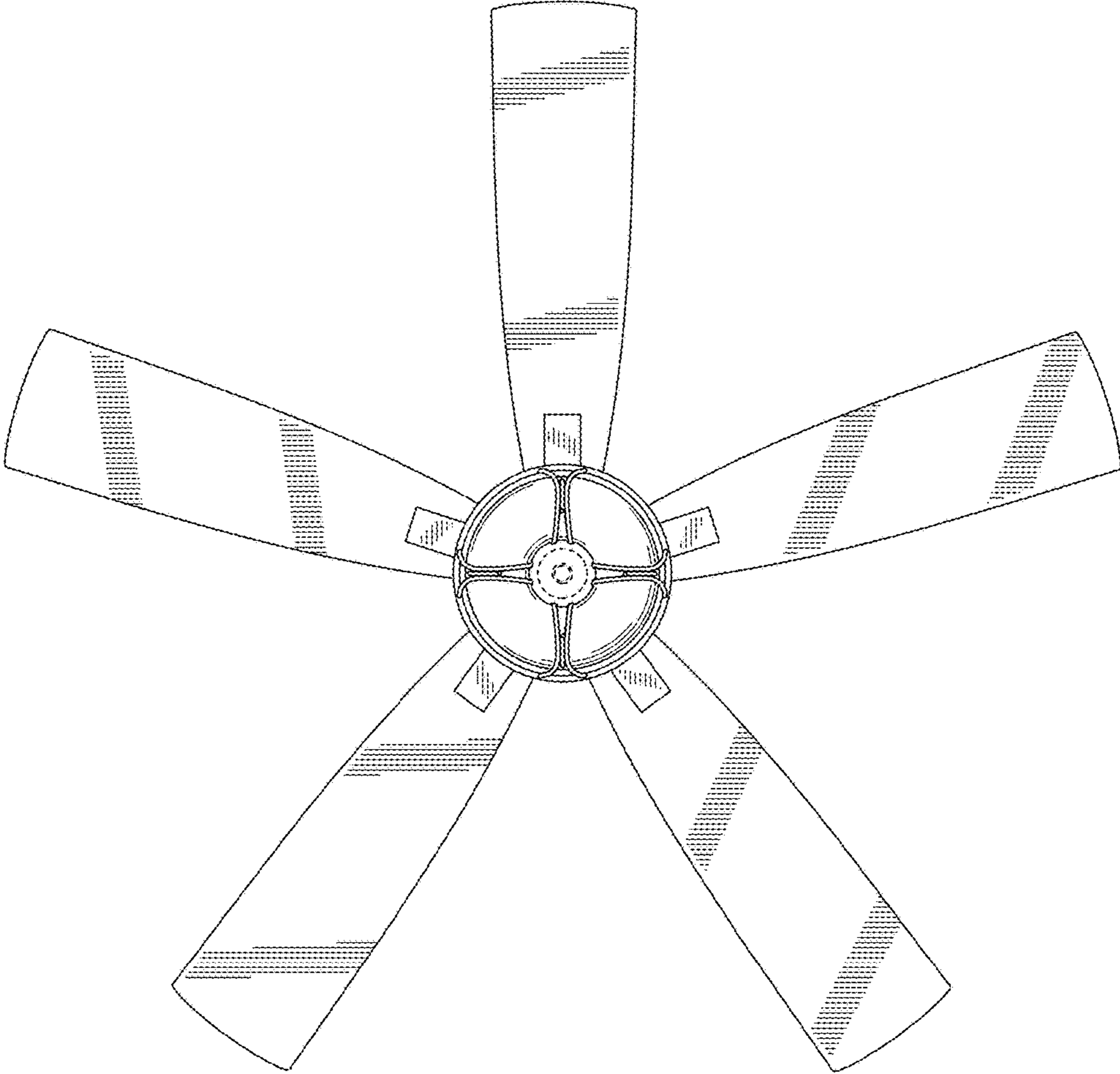


FIG.4

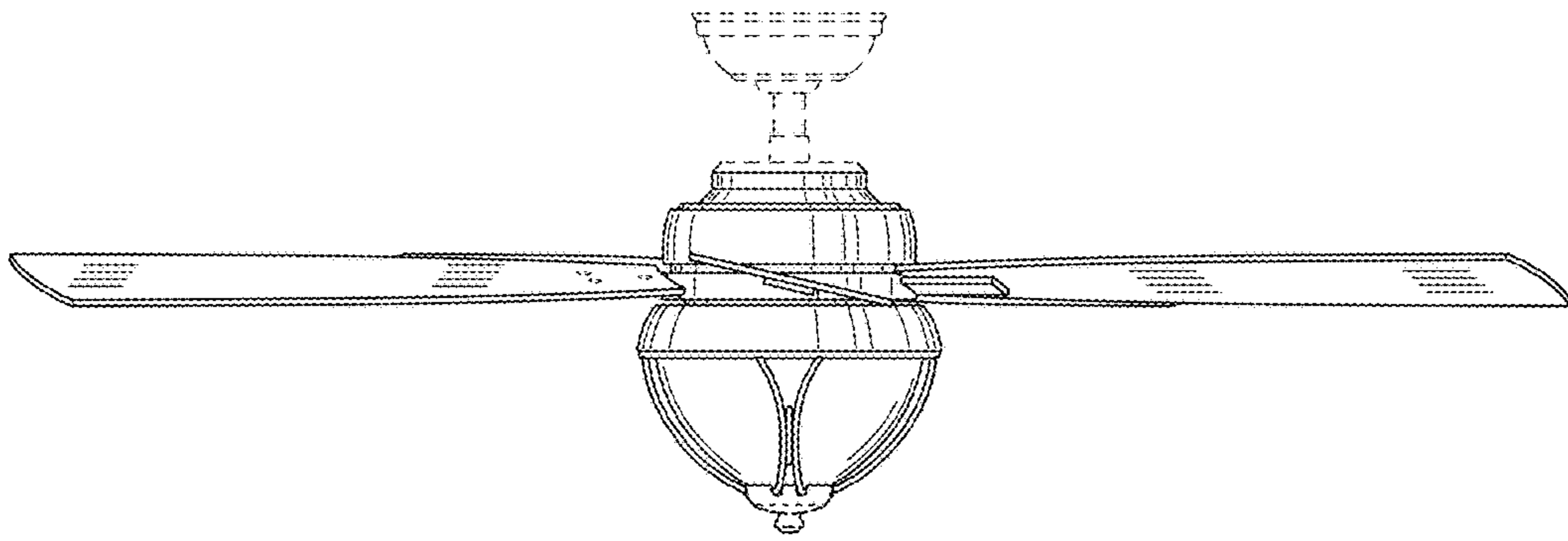


FIG. 5

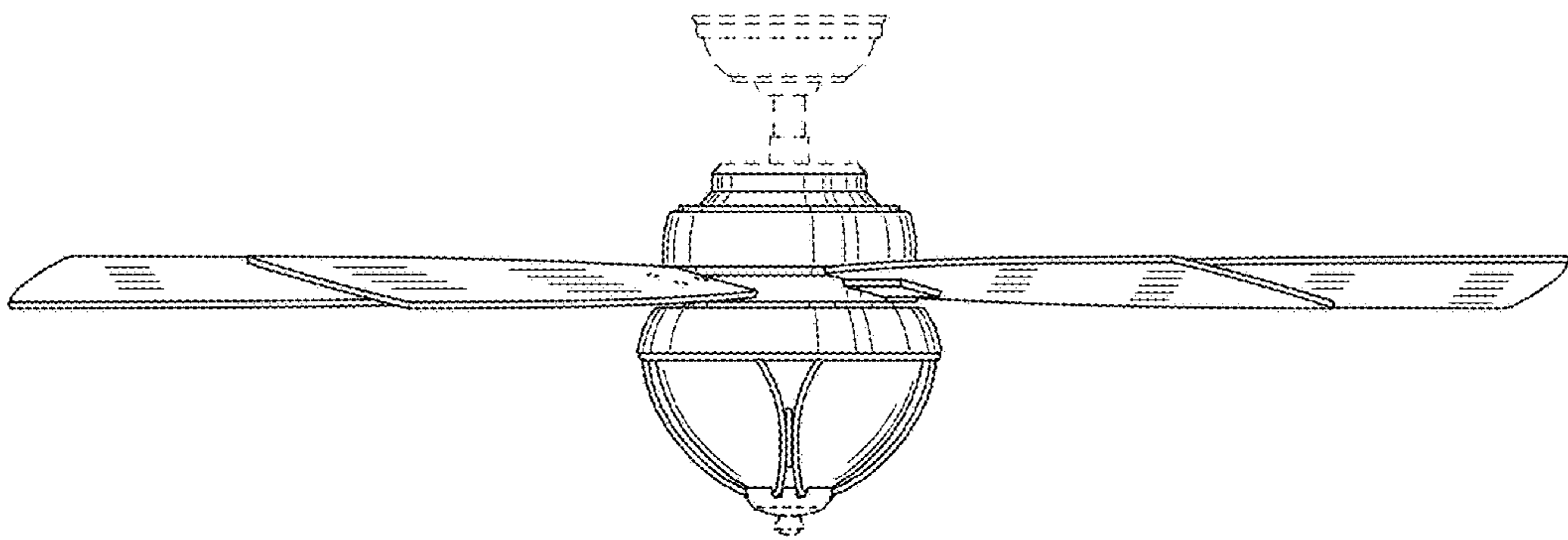


FIG. 6

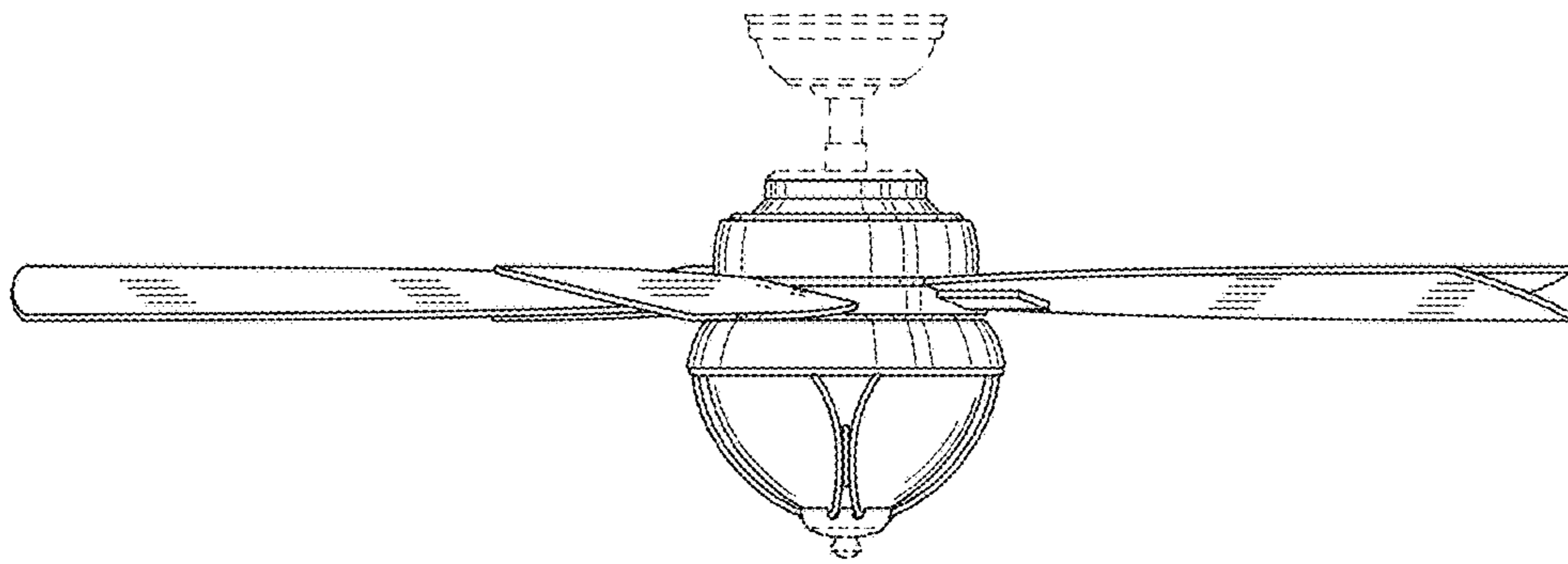


FIG. 7

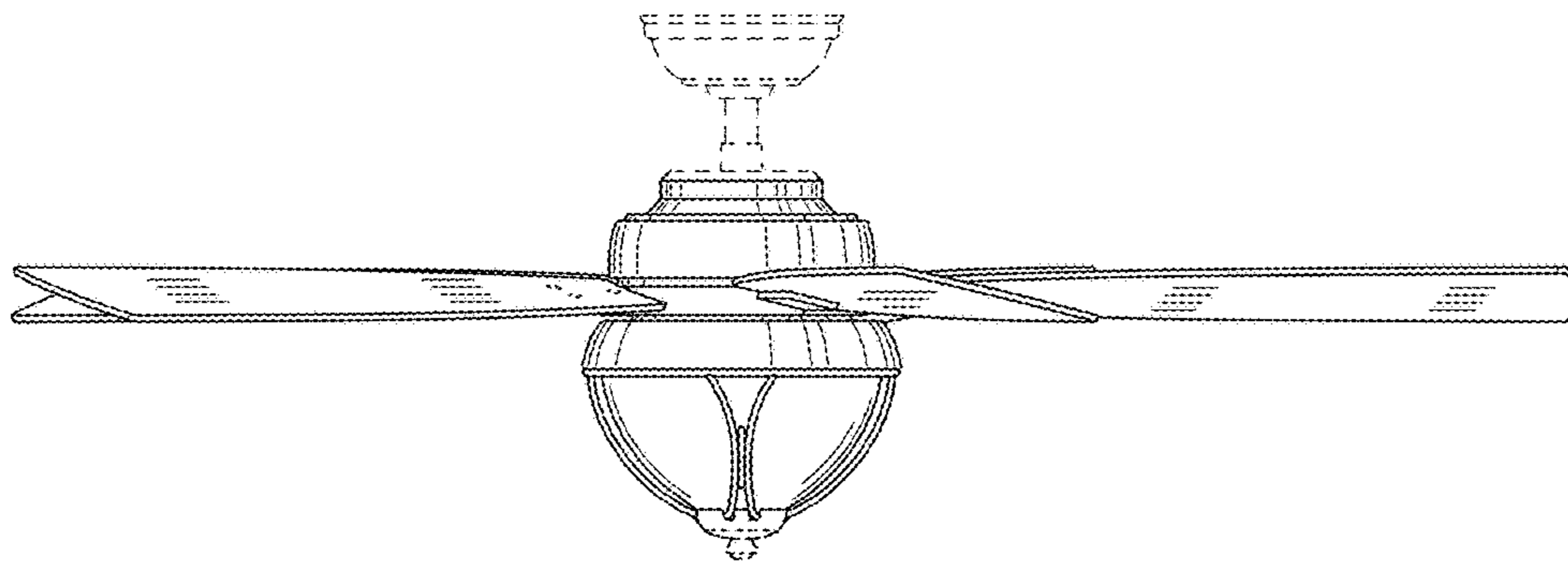


FIG. 8