



US00D804632S

(12) **United States Design Patent** (10) **Patent No.:** **US D804,632 S**
Holmes (45) **Date of Patent:** **** Dec. 5, 2017**

(54) **CEILING FAN**
(71) Applicant: **HUNTER FAN COMPANY,**
Memphis, TN (US)
(72) Inventor: **Christine Holmes,** Memphis, TN (US)
(73) Assignee: **Hunter Fan Company,** Memphis, TN
(US)

D478,380 S * 8/2003 Clymer D23/377
D517,189 S * 3/2006 Hidalgo D23/377
D521,623 S * 5/2006 Hidalgo D23/377
D521,628 S * 5/2006 Hidalgo D23/377
D573,243 S * 7/2008 Pan D23/377
D584,396 S * 1/2009 Bucher D23/377
D598,091 S * 8/2009 Orozco D23/377

(Continued)

(**) Term: **15 Years**
(21) Appl. No.: **29/557,011**

(22) Filed: **Mar. 4, 2016**

(51) **LOC (10) Cl.** **23-04**

(52) **U.S. Cl.**
USPC **D23/377**

(58) **Field of Classification Search**
USPC D23/355, 370-376, 378, 380-384,
D23/386-387, 412, 414, 377, 379, 385,
D23/411, 413; D26/59
CPC F04D 25/088; F21V 33/0096
See application file for complete search history.

(56) **References Cited**

U.S. PATENT DOCUMENTS

4,640,668 A * 2/1987 Yang F04D 25/088
310/68 E
D328,947 S * 8/1992 Holbrook D23/377
D329,494 S * 9/1992 Holbrook D23/377
D349,337 S * 8/1994 Tsuji D23/377
D354,804 S * 1/1995 Tsuji D23/377
D355,028 S * 1/1995 Tsuji D23/377
D358,877 S * 5/1995 Tsuji D23/377
D358,878 S * 5/1995 Tsuji D23/377
D362,907 S * 10/1995 DiPasquale D23/377
D363,345 S * 10/1995 Wang D23/377
D369,405 S * 4/1996 Holbrook D23/377
D374,925 S * 10/1996 Jaspers-Fayer D23/377
D408,076 S * 4/1999 Zuege D23/377
D408,517 S * 4/1999 LaSpina D23/377
D425,191 S * 5/2000 LaSpina D23/377

OTHER PUBLICATIONS

Monte Carlo 5DM52RB Ceiling Fans Designer Max, date first available Jan. 27, 2014, amazon.com, site visited Aug. 16, 2017, Copyright © 1996-2017, Available from Internet, https://www.amazon.com/Monte-Carlo-5DM52RB-Ceiling-Designer/dp/B0012VZZXG/ref=sr_1_1?s=hi&ie=UTF8&qid=1502907904&sr=1-1&keywords=monte+carlo+designer+ma.*

(Continued)

Primary Examiner — Cathron C Brooks
Assistant Examiner — Sharon S Oum
(74) *Attorney, Agent, or Firm* — McGarry Bair PC

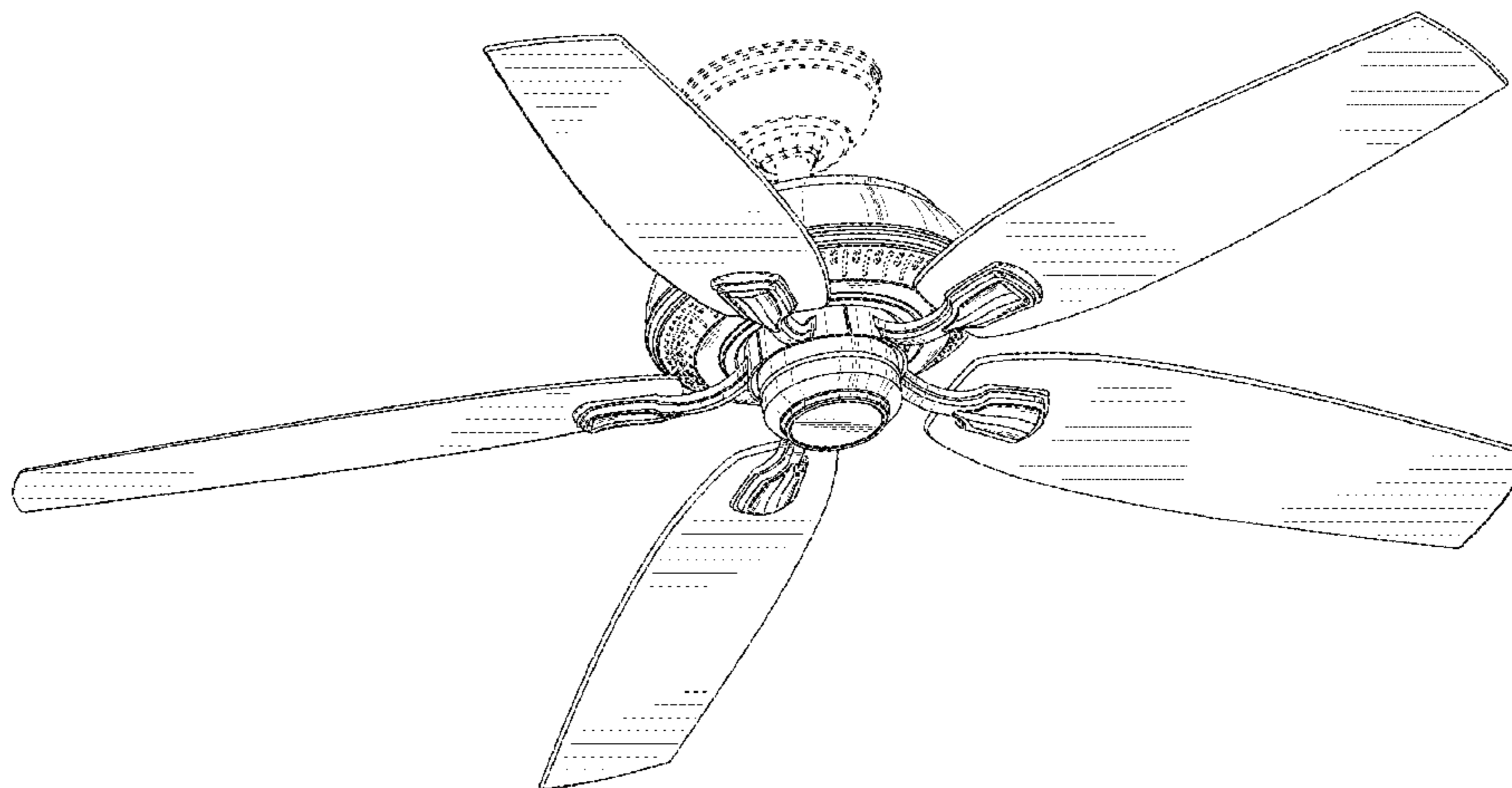
(57) **CLAIM**

The ornamental design for a ceiling fan, as shown and described.

DESCRIPTION

FIG. 1 is a top perspective view of a ceiling fan showing my new design;
FIG. 2 is a bottom perspective view of the ceiling fan of FIG. 1;
FIG. 3 is a top view of the ceiling fan of FIG. 1;
FIG. 4 is a bottom view of the ceiling fan of FIG. 1;
FIG. 5 is a left side view of the ceiling fan of FIG. 1;
FIG. 6 is a front side view of the ceiling fan of FIG. 1;
FIG. 7 is a rear side view of the ceiling fan of FIG. 1; and,
FIG. 8 is a right side view of the ceiling fan of FIG. 1.
Portions of the ceiling fan shown in broken lines form no part of the claimed design.

1 Claim, 8 Drawing Sheets



(56)

References Cited

U.S. PATENT DOCUMENTS

D626,211 S 10/2010 Wang
D628,286 S 11/2010 Yang
D671,202 S 11/2012 Searle
D707,807 S 6/2014 Pan
D778,421 S * 2/2017 Hidalgo D23/377

OTHER PUBLICATIONS

<http://www.kichler.com/products/product/60-ashbryn-ceiling-fan-mwh-300269mwh.aspx>, Item Specification for the Kichler Ashbryn 60" Ashbryn Collection 60" Ashbryn Ceiling Fan MWH 300269MWH, accessed Mar. 4, 2016.

<http://www.hunterfan.com/Ceiling-Fans/Baybrook?ModelNumber=53275>, Item Specification for the Hunter Fan Baybrook—52" Ceiling Fan 53275 Onyx Bengal Finish 5 Alder / Dark Walnut Reversible blades included, accessed Mar. 4, 2016.

<http://www.hunterfan.com/Ceiling-Fans/Matheston?ModelNumber=54091>, Item Specification for the Hunter Fan Matheston 52" Ceiling Fan 54091 Cottage White Finish 5 Grey Pine blades included, accessed Mar. 4, 2016.

<http://www.minkagroup.net/products/f569-orb>, Item Specification for the MinkaAire Supra® 52" 5 Blades in Oil Rubbed Bronze Finish w/Medium Maple Blades Model # F569-ORB, accessed Mar. 4, 2016.

<http://www.kingoffans.com/#/products>, Item Specification for the King of Fans Minuet Model #41106, accessed Mar. 4, 2016.

<http://www.kingoffans.com/#/products>, Item Specification for the King of Fans Sibley Model #46796, accessed Mar. 4, 2016.

* cited by examiner

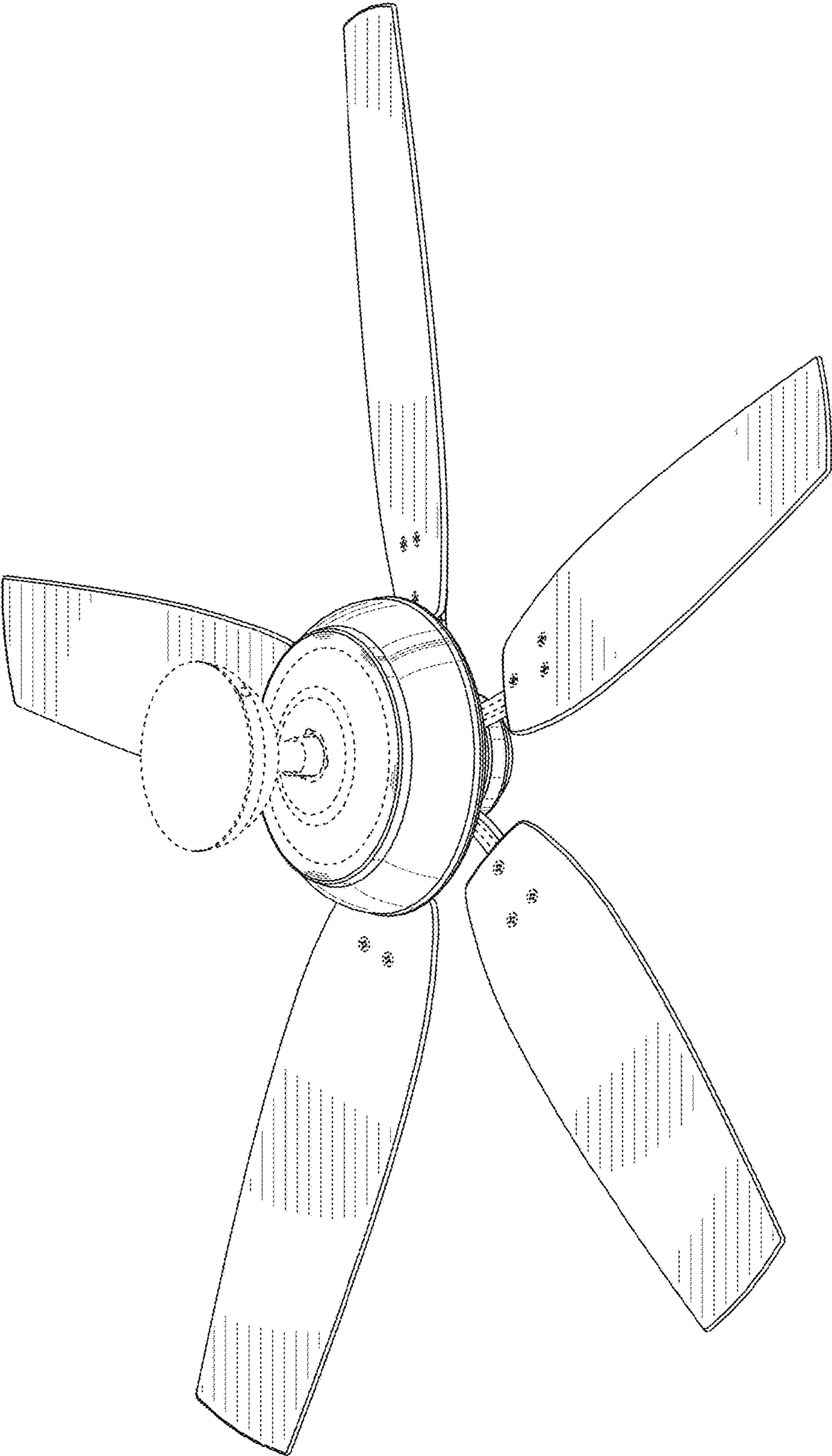


FIG. 1

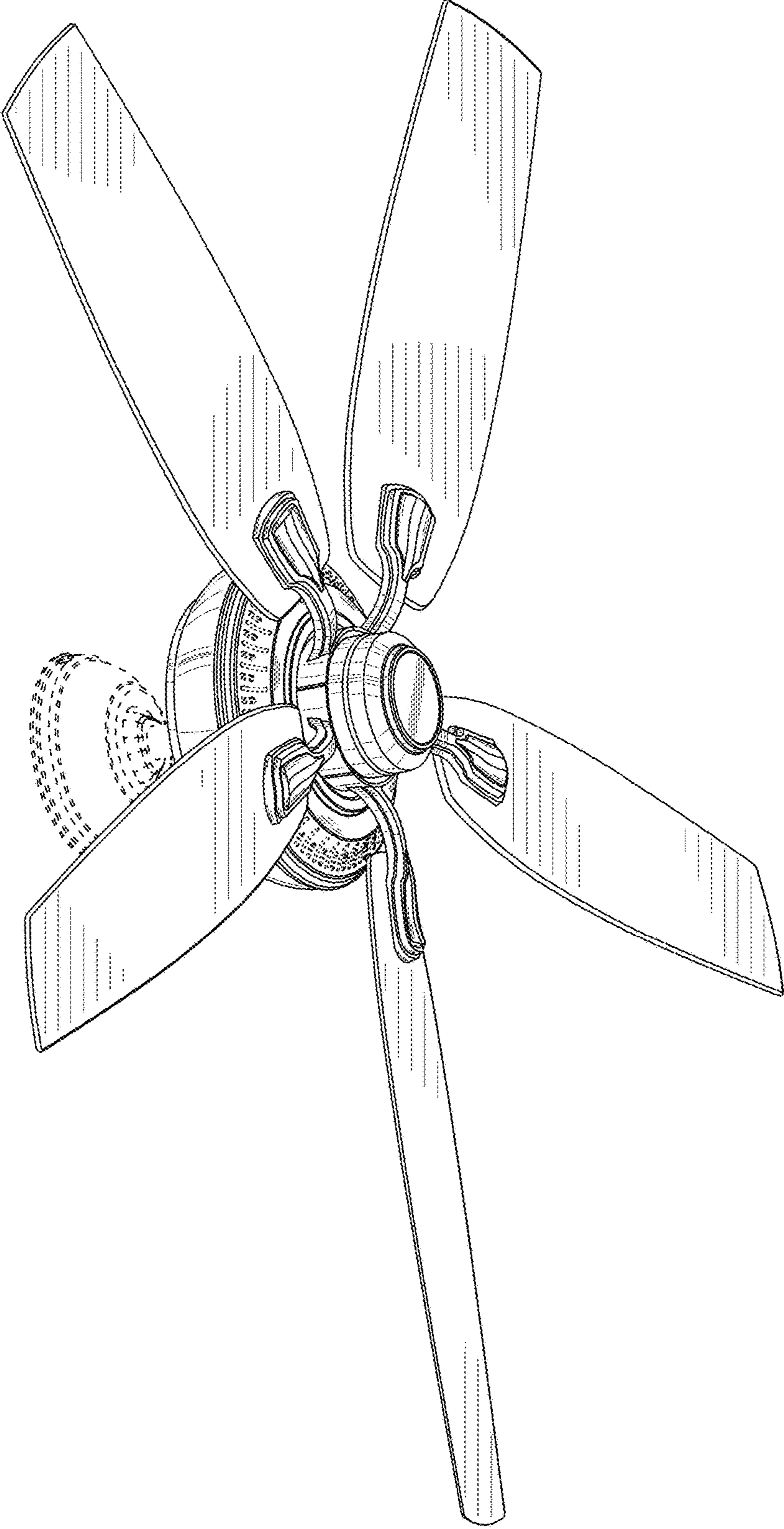


FIG. 2

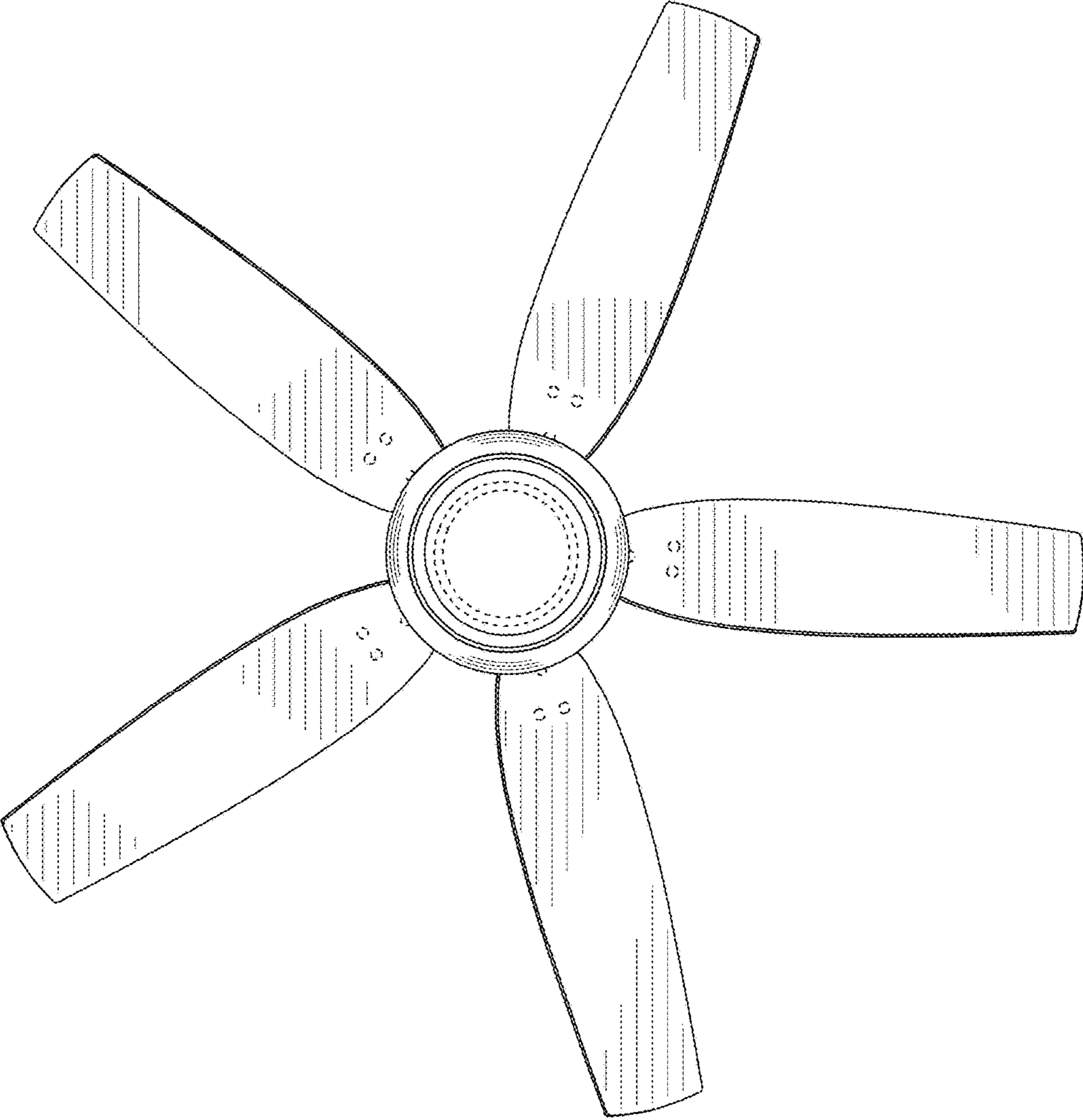


FIG. 3

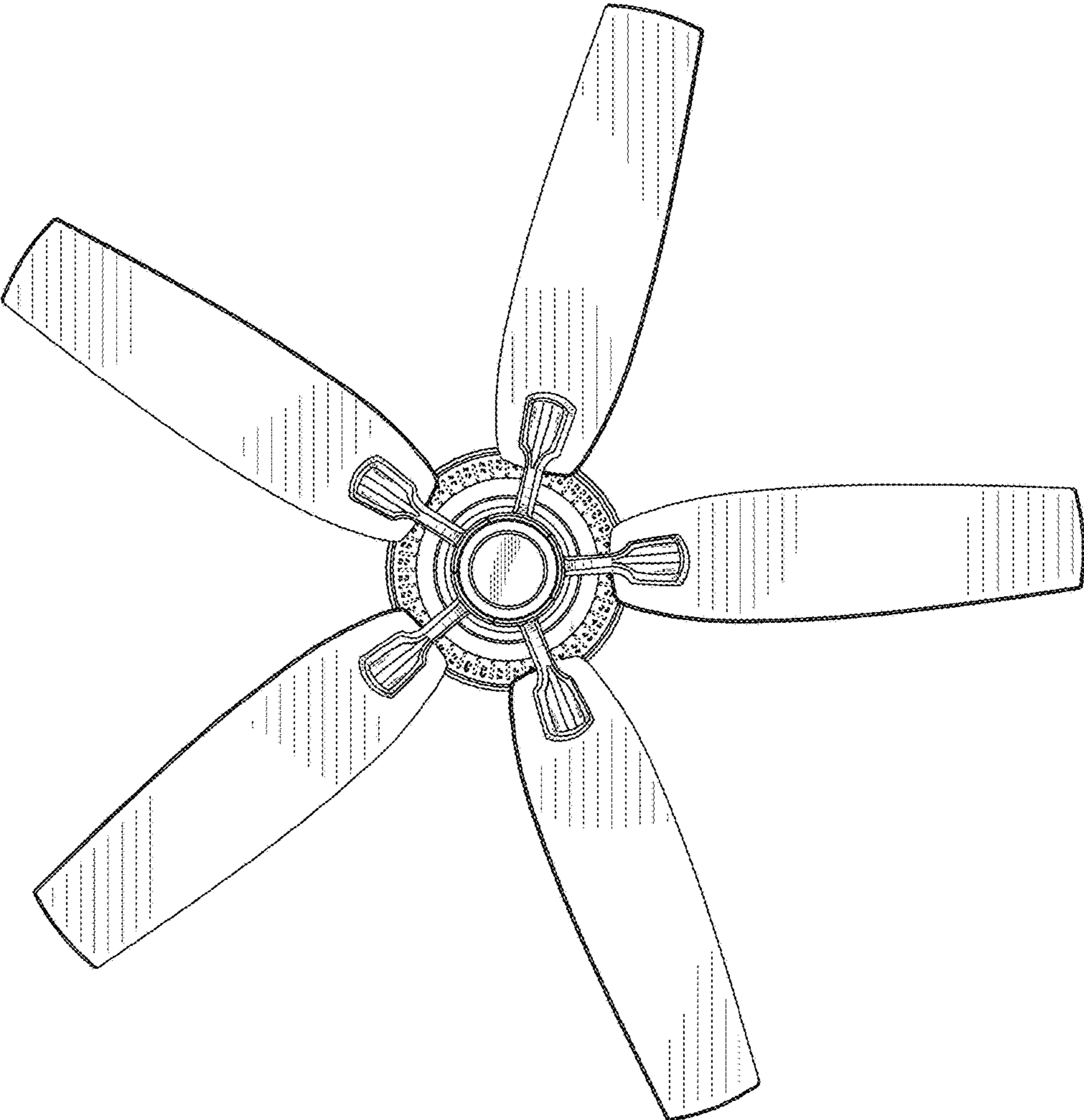


FIG. 4

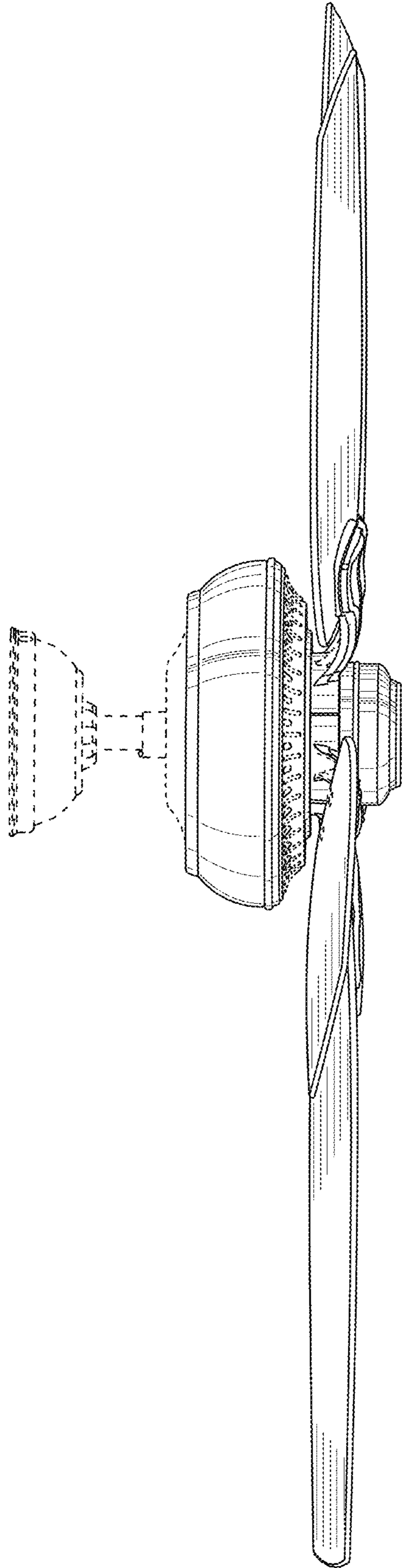


FIG. 5

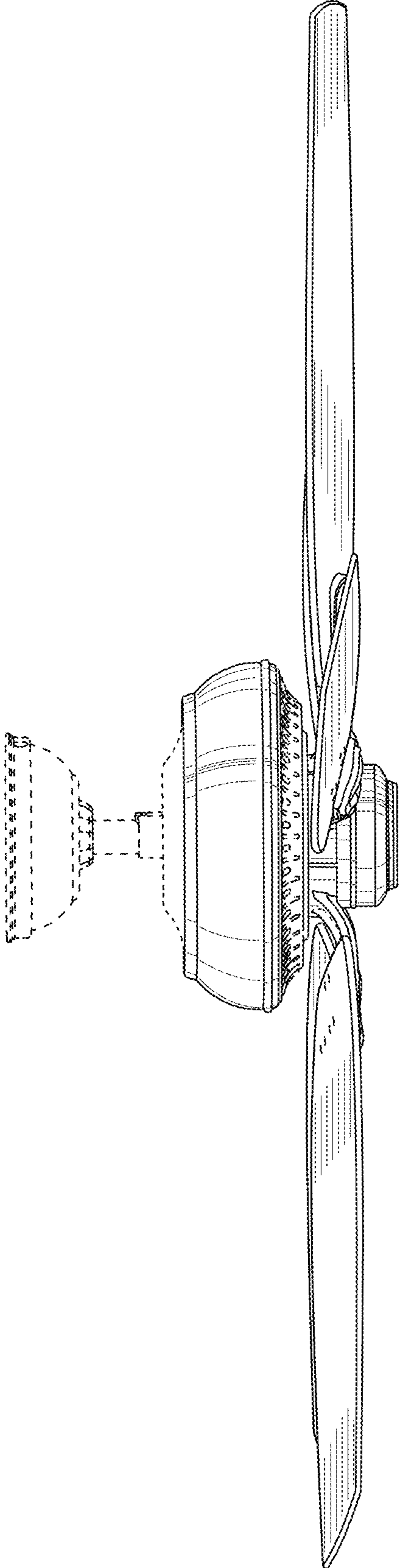


FIG. 6

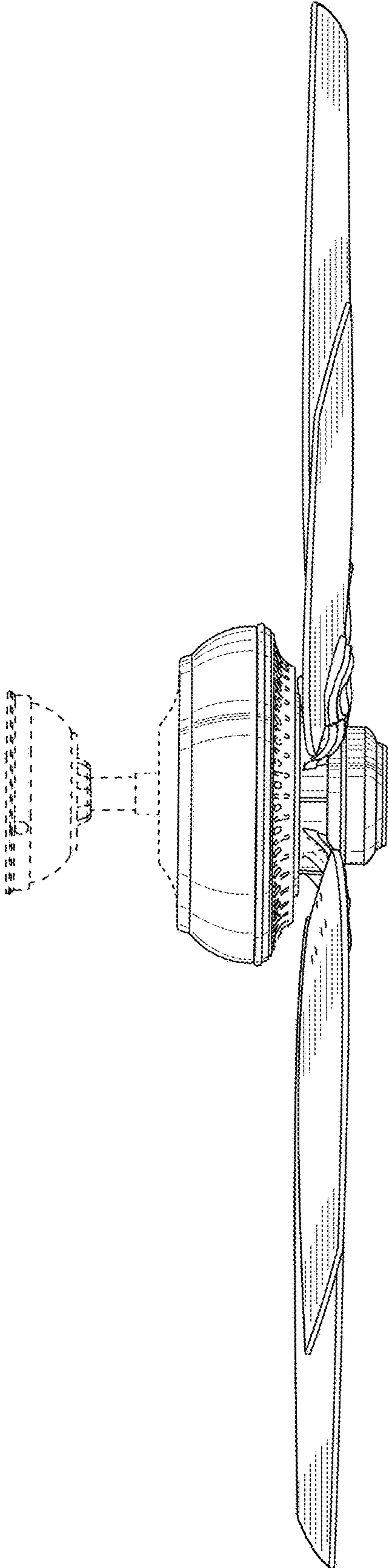


FIG. 7

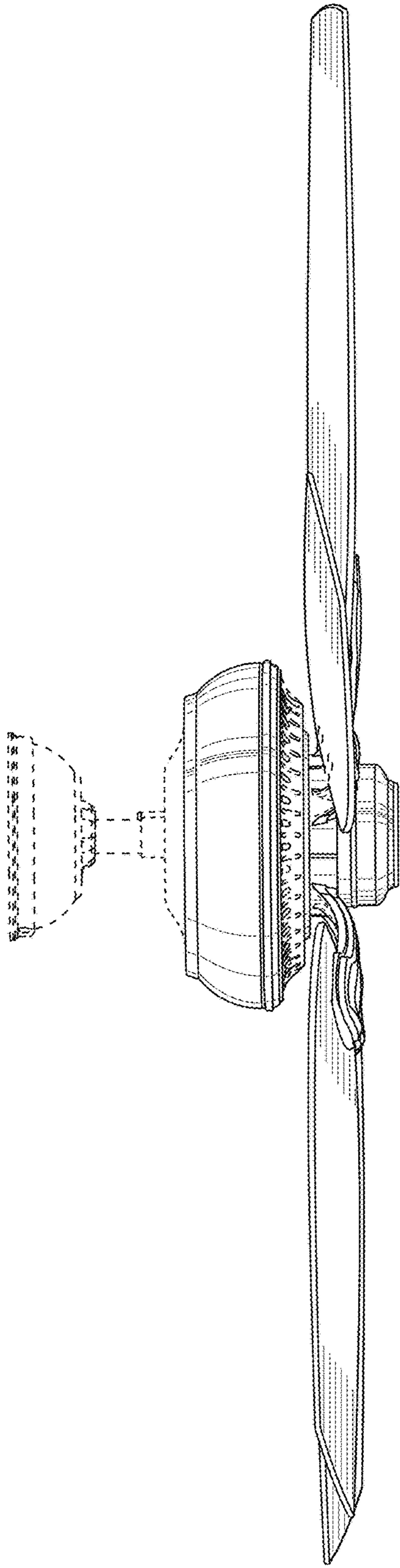


FIG. 8