

US00D804631S

(12) **United States Design Patent** (10) **Patent No.:** **US D804,631 S**
Holmes (45) **Date of Patent:** **** Dec. 5, 2017**

(54) **CEILING FAN**
(71) Applicant: **HUNTER FAN COMPANY,**
Memphis, TN (US)
(72) Inventor: **Christine Holmes,** Memphis, TN (US)
(73) Assignee: **Hunter Fan Company,** Memphis, TN
(US)
(**) Term: **15 Years**
(21) Appl. No.: **29/556,846**
(22) Filed: **Mar. 3, 2016**
(51) **LOC (10) Cl.** **23-04**
(52) **U.S. Cl.**
USPC **D23/377; D26/59**
(58) **Field of Classification Search**
USPC D23/355, 370-376, 378-387, 412, 414,
D23/377, 411, 413; D26/59; D12/214
CPC F04D 25/088; F21V 33/0096
See application file for complete search history.

D627,046 S * 11/2010 Wang D23/377
D632,382 S * 2/2011 Pan D23/377
2004/0022636 A1* 2/2004 Bilskie F04D 25/088
416/244 R
2014/0268803 A1* 9/2014 Keng F21V 5/04
362/294

OTHER PUBLICATIONS

<http://www.homedepot.com/p/Hampton-Bay-Lonestar-II-52-in-Natural-Iron-Ceiling-Fan-AL875-BK/203245573>, Item Specification for The Hampton Bay Model # AL875-BK Internet # 203245573 Lonestar II 52 in. Natural Iron Ceiling Fan, accessed Mar. 2, 2016.

* cited by examiner

Primary Examiner — Cathron C Brooks
Assistant Examiner — Sharon S Oum
(74) *Attorney, Agent, or Firm* — McGarry Bair PC

(57) **CLAIM**

The ornamental design for a ceiling fan, as shown and described.

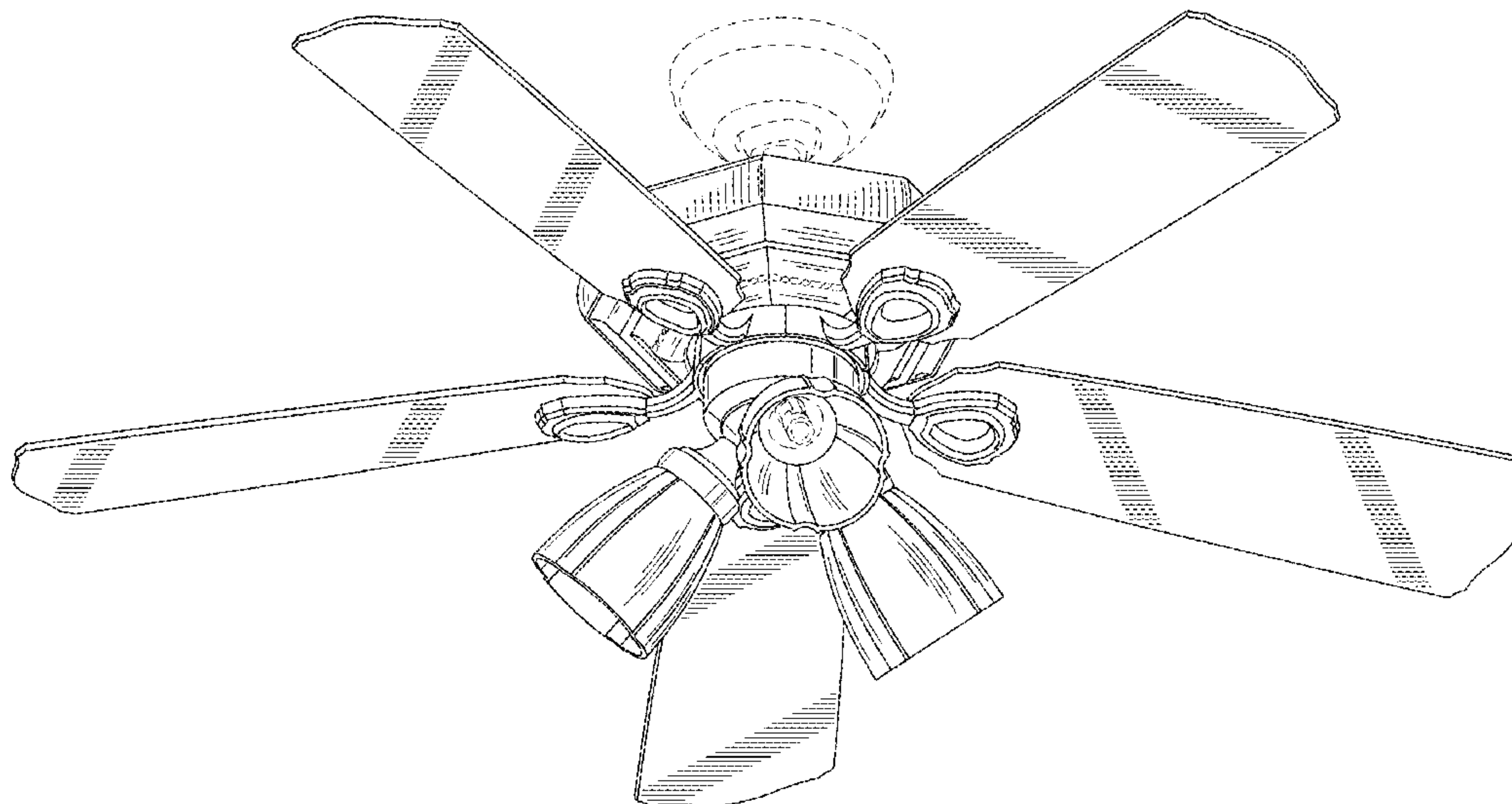
DESCRIPTION

FIG. 1 is a top perspective view of a ceiling fan showing my new design;
FIG. 2 is a bottom perspective view of the ceiling fan of FIG. 1;
FIG. 3 is a top view of the ceiling fan of FIG. 1;
FIG. 4 is a bottom view of the ceiling fan of FIG. 1;
FIG. 5 is a front view of the ceiling fan of FIG. 1;
FIG. 6 is a rear view of the ceiling fan of FIG. 1;
FIG. 7 is a left side view of the ceiling fan of FIG. 1; and,
FIG. 8 is a right side view of the ceiling fan of FIG. 1.
Portions of the drawings shown in broken lines form no part of the claimed design.

1 Claim, 6 Drawing Sheets

(56) **References Cited**
U.S. PATENT DOCUMENTS

D376,004 S	11/1996	Tsuji	
D398,394 S *	9/1998	Pickett	D23/377
D399,947 S *	10/1998	Kennedy	D23/377
D408,519 S *	4/1999	Tsuji	D23/377
D414,860 S	10/1999	Thomas	
5,971,573 A *	10/1999	Bucher	F21V 33/0096 362/438
D416,616 S *	11/1999	LaSpina	D23/377
D417,270 S *	11/1999	Thomas, Jr.	D23/377
D424,679 S *	5/2000	LaSpina	D23/377
D430,280 S *	8/2000	Huang	D23/377
D483,465 S *	12/2003	Tai	D23/377
D579,097 S *	10/2008	Hidalgo	D23/377



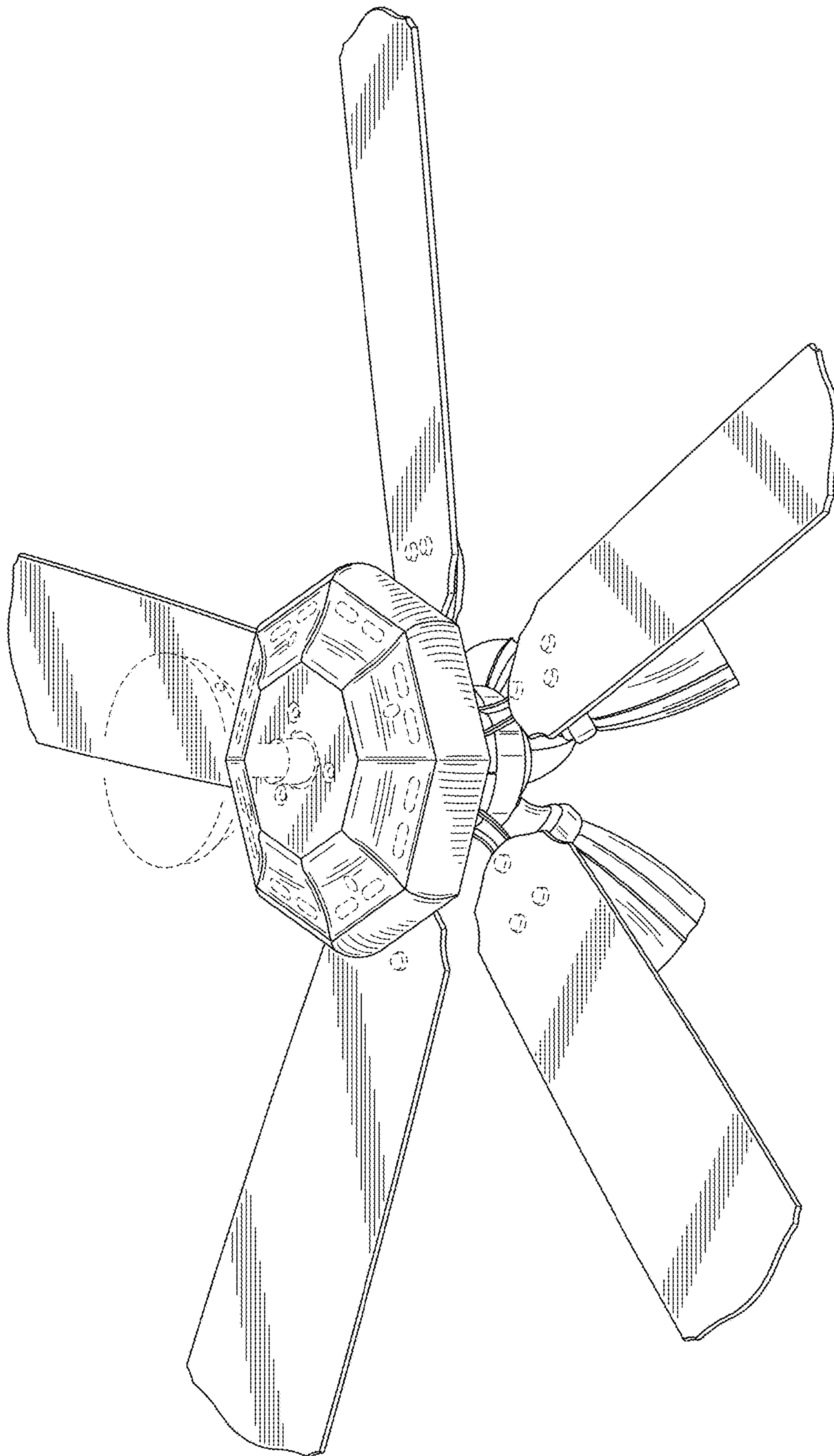


FIG.1

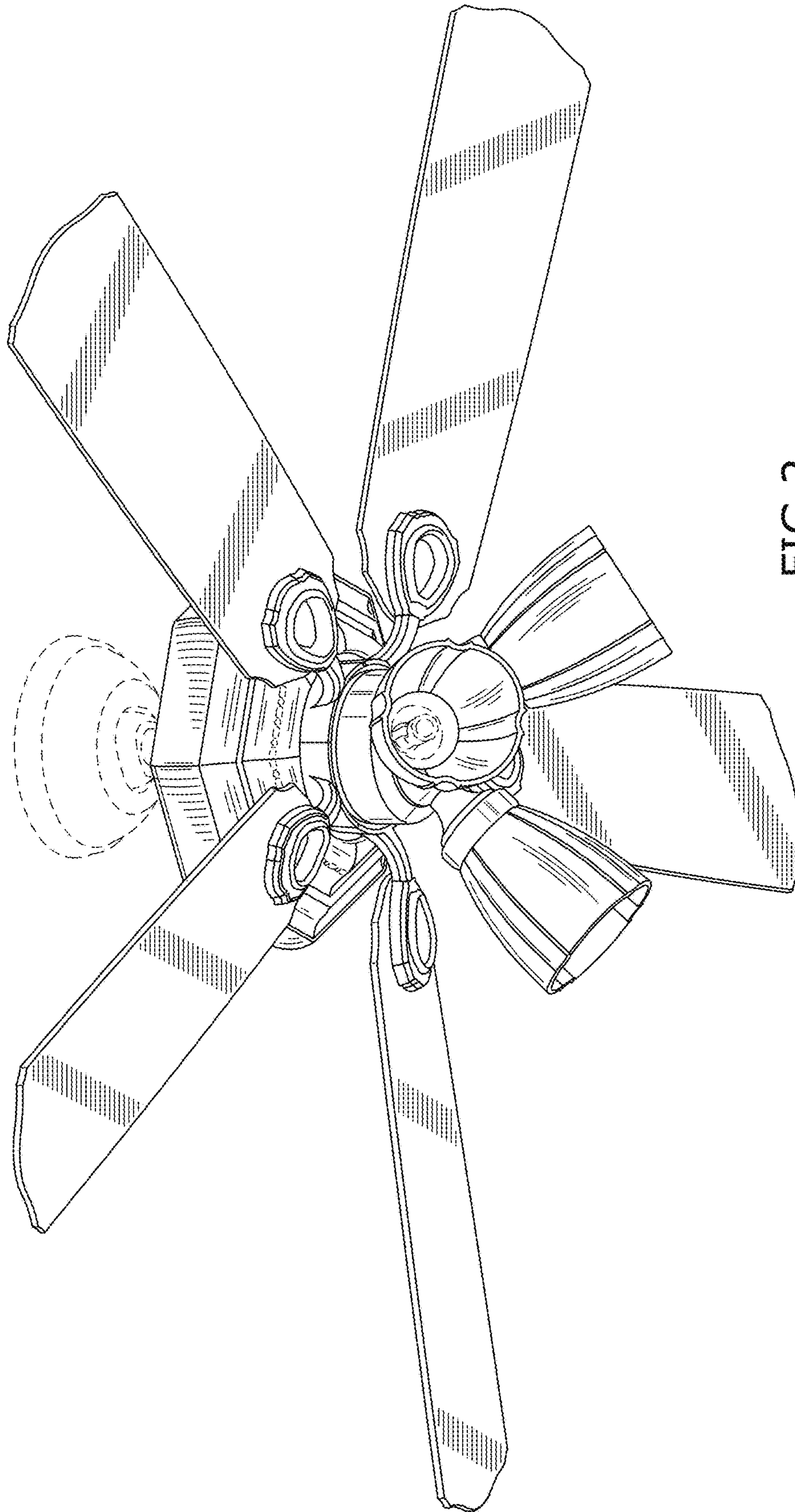


FIG. 2

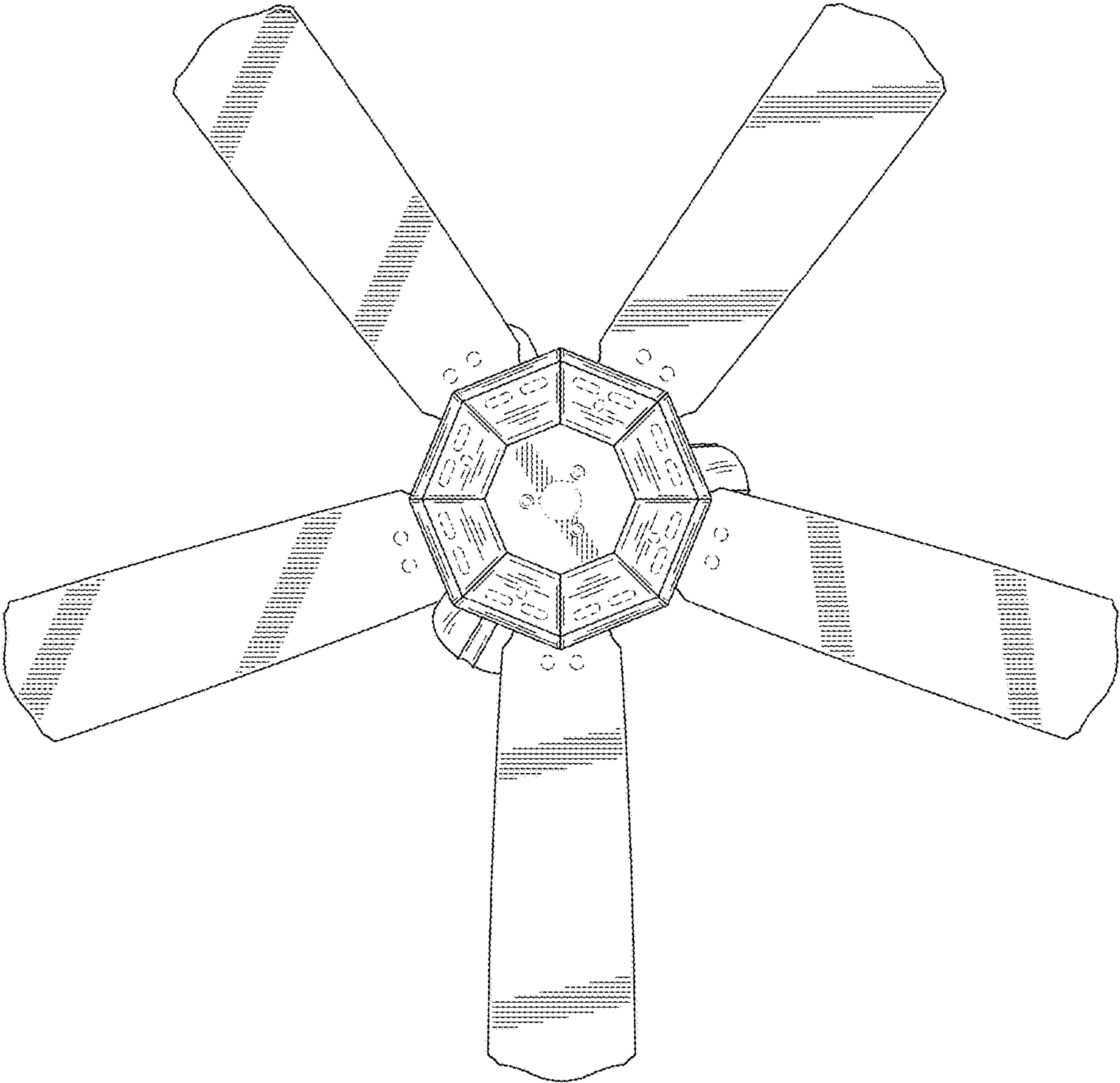


FIG. 3

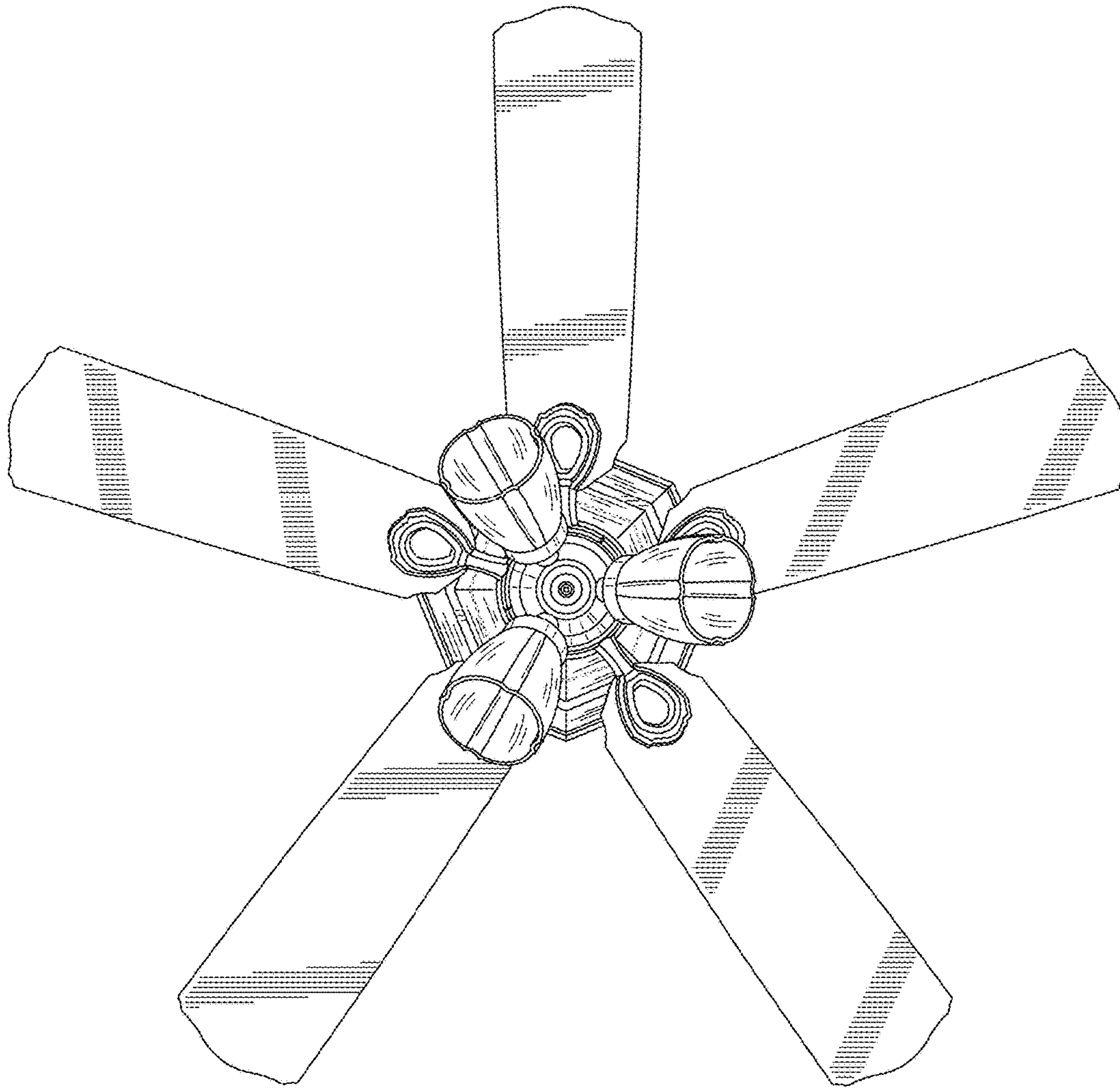


FIG.4

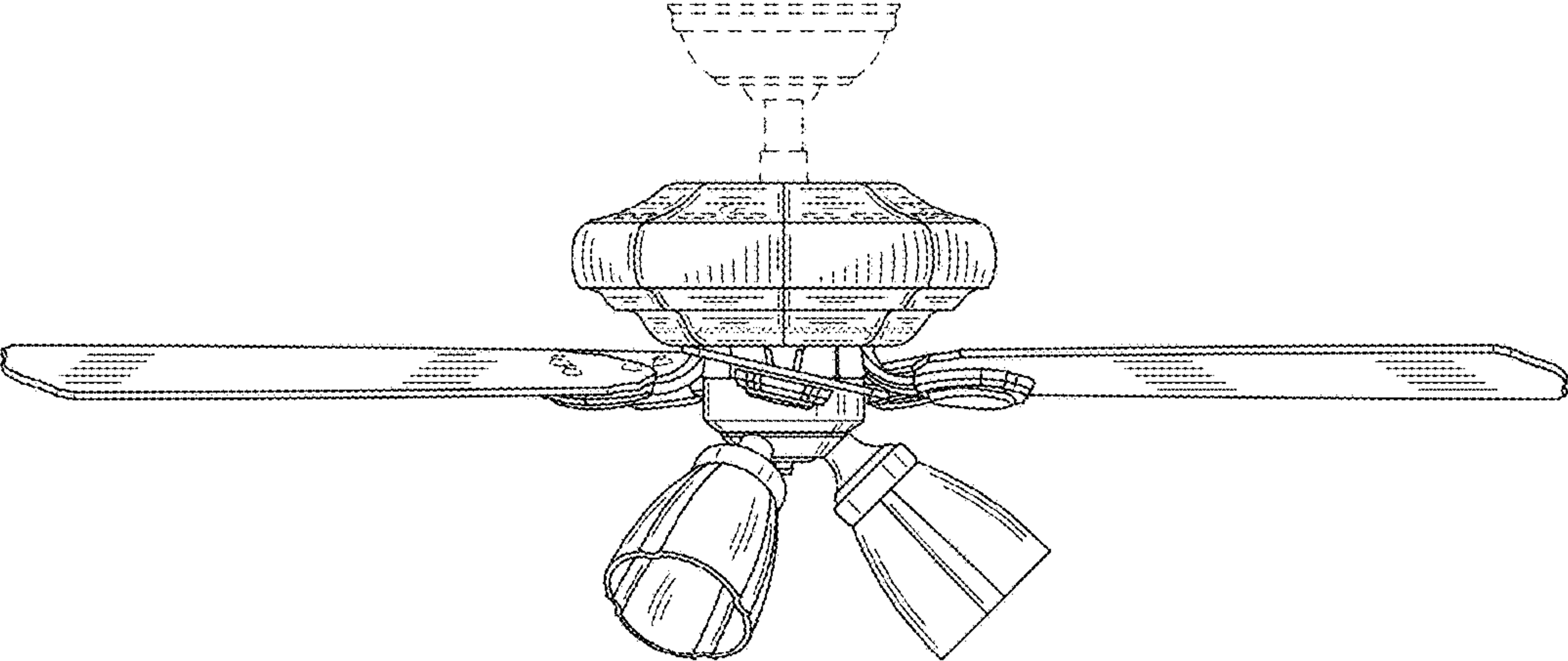


FIG. 5

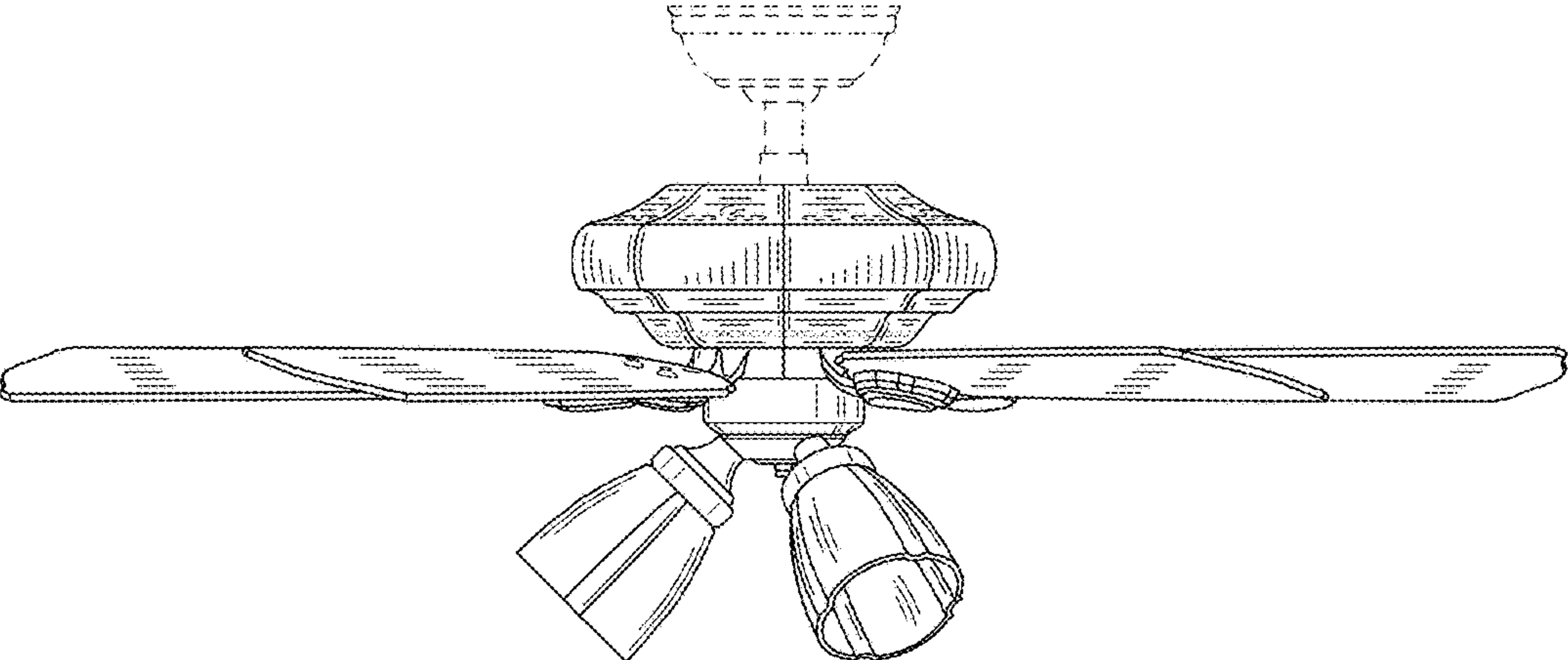


FIG. 6

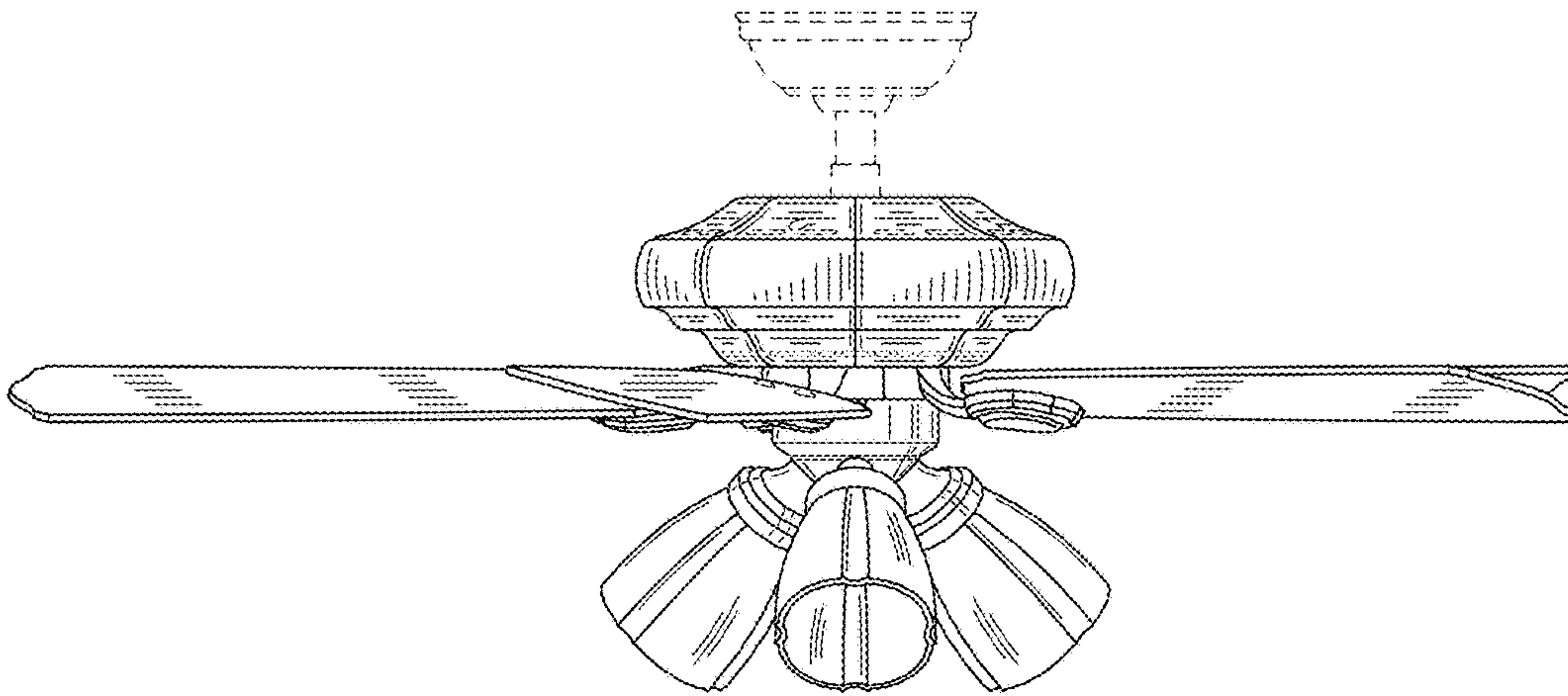


FIG. 7

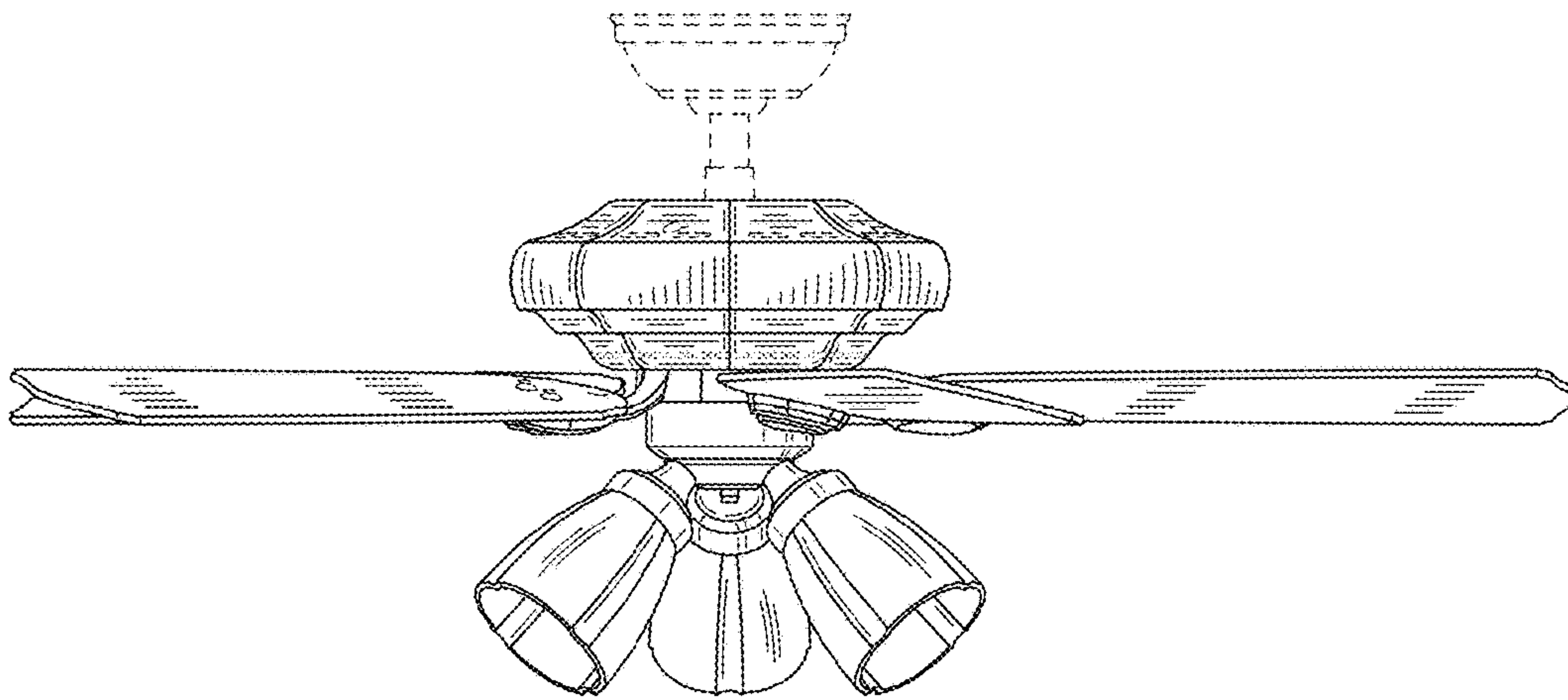


FIG. 8