



US00D804630S

(12) **United States Design Patent** (10) **Patent No.:** **US D804,630 S**
Holmes et al. (45) **Date of Patent:** **** Dec. 5, 2017**

(54) **CEILING FAN**
(71) Applicant: **HUNTER FAN COMPANY**,
Memphis, TN (US)
(72) Inventors: **Christine Holmes**, Memphis, TN (US);
Claire Bernice McRoberts, Memphis,
TN (US)
(73) Assignee: **Hunter Fan Company**, Memphis, TN
(US)

D599,473 S 9/2009 Klausning et al.
D599,474 S 9/2009 Klausning et al.
D601,240 S 9/2009 Klausning et al.
D603,955 S * 11/2009 Patton D23/411
D609,799 S * 2/2010 Lee D23/377
D627,053 S * 11/2010 Pan D23/411
D627,456 S * 11/2010 Glasbrenner D23/411
D627,874 S 11/2010 Pan
D628,688 S * 12/2010 Pan D23/377
(Continued)

(**) Term: **15 Years**
(21) Appl. No.: **29/556,790**
(22) Filed: **Mar. 3, 2016**
(51) **LOC (10) Cl.** **23-04**
(52) **U.S. Cl.**
USPC **D23/377; D26/59**
(58) **Field of Classification Search**
USPC D23/355, 370-376, 378-387, 412, 414,
D23/377, 411, 413; D26/59; D12/214
CPC F04D 25/088; F21V 33/0096
See application file for complete search history.

(56) **References Cited**

U.S. PATENT DOCUMENTS

4,592,702 A * 6/1986 Bogage F04D 25/088
310/89
D297,974 S * 10/1988 Sonneman D23/377
D314,618 S * 2/1991 Yen D23/377
D328,491 S * 8/1992 Markwardt D23/377
D328,785 S * 8/1992 Markwardt D23/377
D328,951 S 8/1992 Scofield et al.
D329,087 S * 9/1992 Markwardt D23/377
D341,419 S 11/1993 Taylor, III
D344,129 S * 2/1994 Markwardt D23/377
D344,130 S 2/1994 Craig
D453,216 S * 1/2002 Gajewski D23/377
D532,104 S 11/2006 Pickett
D532,510 S * 11/2006 Pickett D23/411
D547,436 S * 7/2007 Shurtleff D23/411

OTHER PUBLICATIONS

Quorum International 65524-95 Davenport 52-Inch Hugger Ceiling Fan, date first available Jan. 27, 2009, amazon.com, site visited Aug. 14, 2017, Copyright © 1996-2017, Available from Internet, https://www.amazon.com/Quorum-International-65524-95-Davenport-52-Inch/dp/B007SV5568/ref=sr_1_2?s=hi&ie=UTF8&qid=1502728686&sr=1-2&.*

(Continued)

Primary Examiner — Cathron C Brooks
Assistant Examiner — Sharon S Oum
(74) *Attorney, Agent, or Firm* — McGarry Bair PC

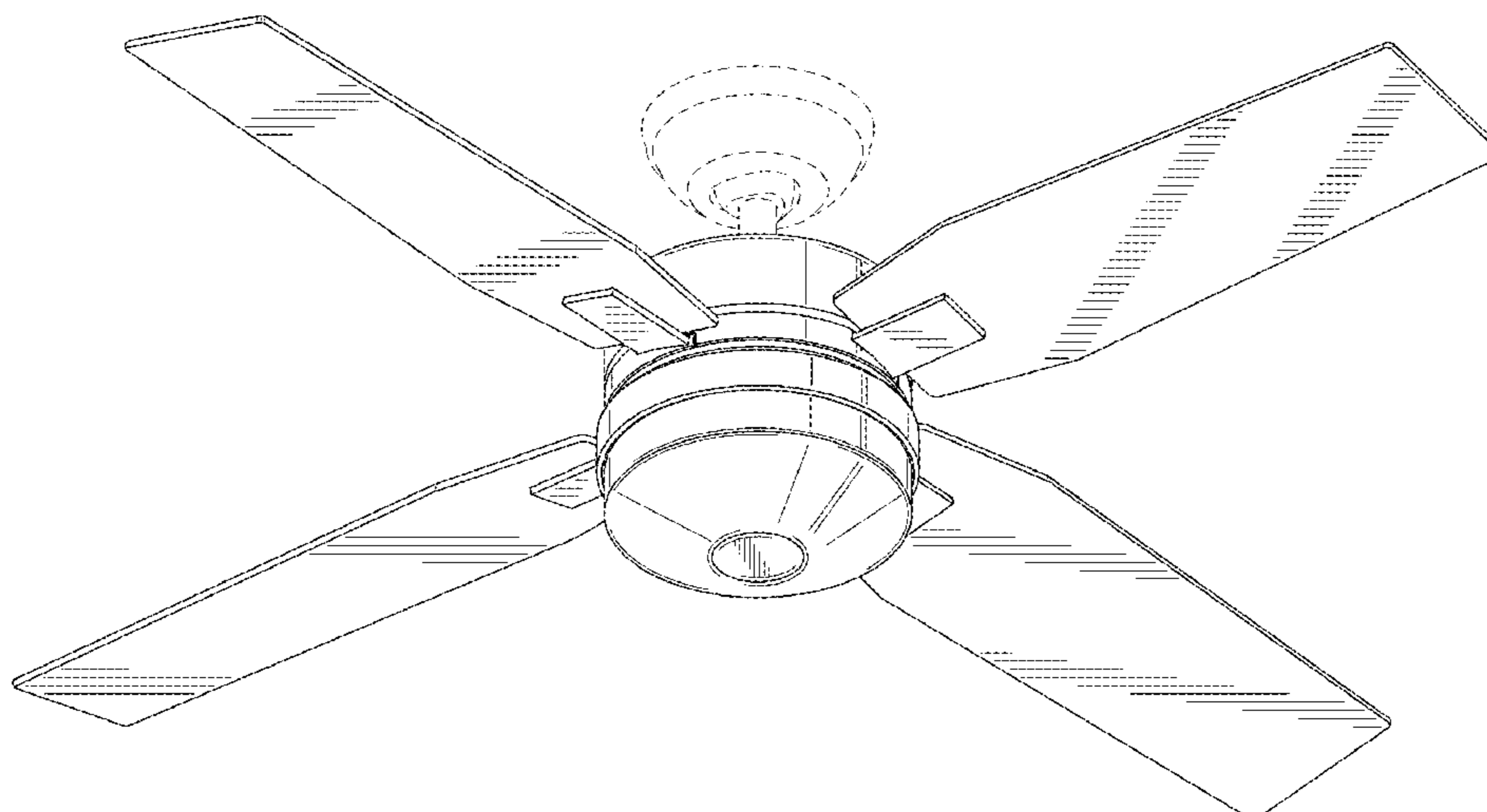
(57) **CLAIM**

The ornamental design for a ceiling fan, as shown and described.

DESCRIPTION

FIG. 1 is a top perspective view of a ceiling fan showing our new design;
FIG. 2 is a bottom perspective view of the ceiling fan of FIG. 1;
FIG. 3 is a top view of the ceiling fan of FIG. 1;
FIG. 4 is a bottom view of the ceiling fan of FIG. 1;
FIG. 5 is a front view of the ceiling fan of FIG. 1; and,
FIG. 6 is a side view of the ceiling fan of FIG. 1.
Portions of the ceiling fan shown in broken lines form no part of the claimed design.

1 Claim, 5 Drawing Sheets



(56)

References Cited

U.S. PATENT DOCUMENTS

D632,384 S *	2/2011	Pan	D23/411
D704,819 S *	5/2014	Wang	D23/411
D706,406 S	6/2014	Wang		
D707,336 S	6/2014	Pan		
D715,917 S *	10/2014	Hidalgo	D23/377
D771,794 S *	11/2016	Wang	D23/411
2015/0078906 A1 *	3/2015	Wang	F04D 29/34 416/219 R

OTHER PUBLICATIONS

<http://www.kichler.com/products/product/52-inch-lucian-ceiling-fan-ni-300176ni.aspx>, Item specification for the Kichler Lucien Collection 52 Inch Lucian Ceiling Fan NI 300176NI (Brushed Nickel), accessed Mar. 2, 2016.

<http://www.fanimation.com/products/index.php/fans/zonix-led.html>, Item specification for the Fanimation Zonix Model No. FP4650, accessed Mar. 2, 2016.

<http://www.kingoffans.com/#/products/ceilingFans>, Item specification for the King of Fans Covington Model # 61020, accessed Mar. 2, 2016.

<http://www.craftmade.com/Craftmade-MN44SS4-Stainless-Steel-Ceiling-Fan.HTM>, Item specification for the Craftmade Montreal 44" Ceiling Fan Blades Included in Stainless Steel with Matte Opal Glass, Product #: MN44SS4, accessed Mar. 2, 2016.

<http://www.hunterfan.com/Ceiling-Fans/Windemere?ModelNumber=59039>, Item specification for the Hunter Fan Windemere—54" Ceiling Fan, Model # 59039 Brushed Nickel Finish, accessed Mar. 2, 2016.

<http://www.kingoffans.com/#/products/ceilingFans>, Item specification for the King of Fans Breezmore Model #51556, accessed Mar. 2, 2016.

<http://www.craftmade.com/Craftmade-ATA52ABZ5-Aged-Bronze-Brushed-Ceiling-Fan.HTM>, Item specification for the Atara 52" Ceiling Fan with Blades Included in Aged Bronze Brushed with Matte Opal GI, Product #: ATA52ABZ5, accessed Mar. 2, 2016.

<http://www.homedepot.com/p/Hampton-Bay-Middleton-42-in-White-Ceiling-Fan-UE42VWH-SHB/204492499>, Item specification for the Home Depot, Hampton Bay Middleton, 42 in. White Ceiling Fan, Model # UE42VWH-SHB, accessed Mar. 2, 2016.

<http://www.montecarlofans.com/21221/52-Weatherford-Deluxe-Outdoor-Fan---Matte-Black-5WF52BKD.html>, Item specification for the Monte Carlo Weatherford, 52" Weatherford Deluxe Outdoor Fan—Matte Black, Product # 5WF52BKD-L, accessed Mar. 2, 2016.

http://www.lowes.com/pd_652192-2120-35063_1z0vgaxZ1z140v4_?productId=50291923&pl=1, Item specification for the Harbor Breeze Melamby 48-in Oil Rubbed Bronze Downrod Mount Ceiling Fan with Light Kit Item #: 652192 | Model #: 35063, accessed Mar. 2, 2016.

<http://www.hunterfan.com/Ceiling-Fans/Acadia?ModelNumber=59171>, Item specification for the Hunter Fan Acadia 46" Ceiling Fan Product #59171, accessed Mar. 2, 2016.

<http://www.craftmade.com/Craftmade-FA52BN5-Nickel-Ceiling-Fan.HTM>, Item specification for the Craftmade 5th Avenue 52" Ceiling Fan Blades Included in Brushed Nickel with Matte Opal Glass Product #: FA52BN5 (647881094072-167848), accessed Mar. 2, 2016.

* cited by examiner

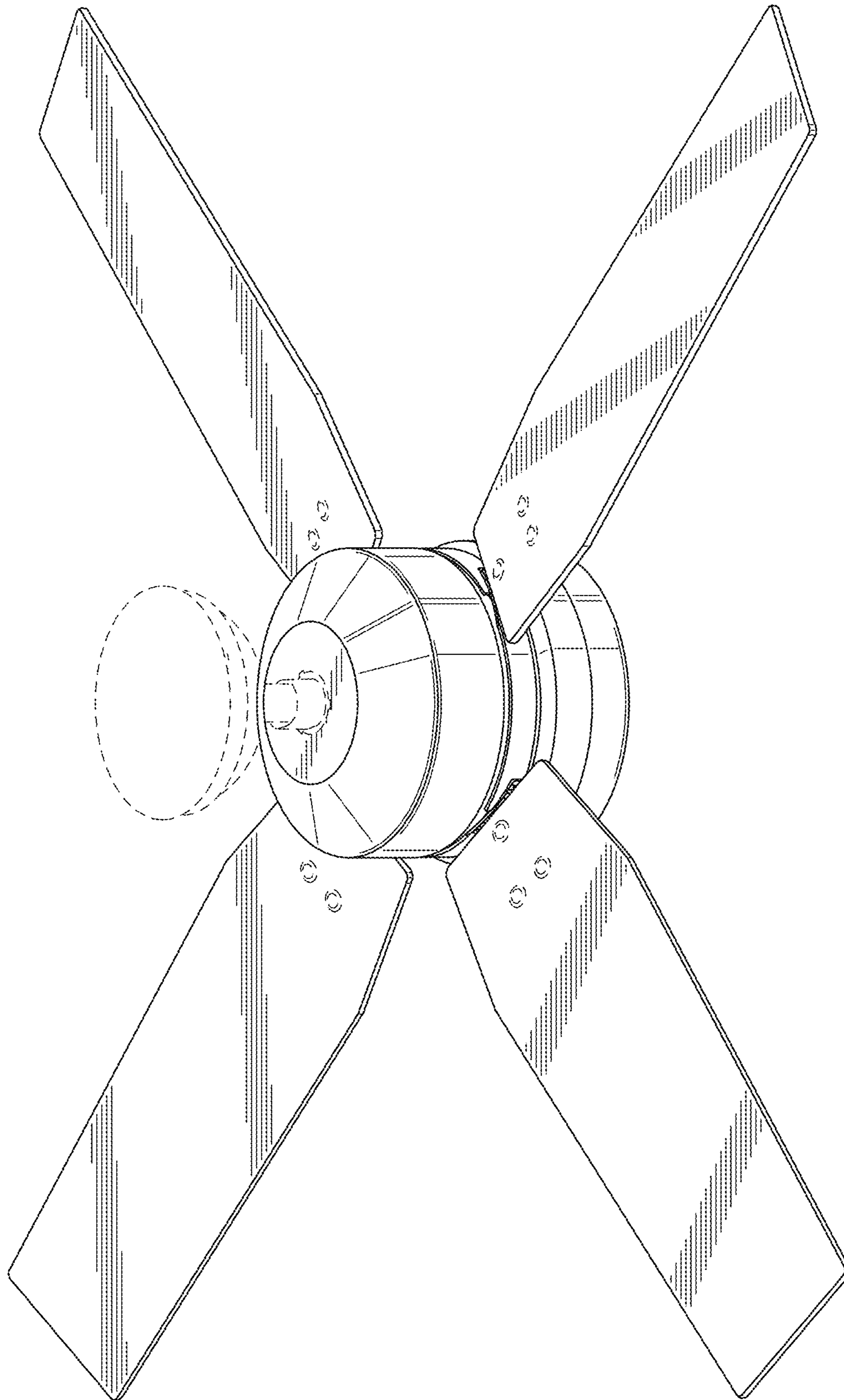


FIG. 1

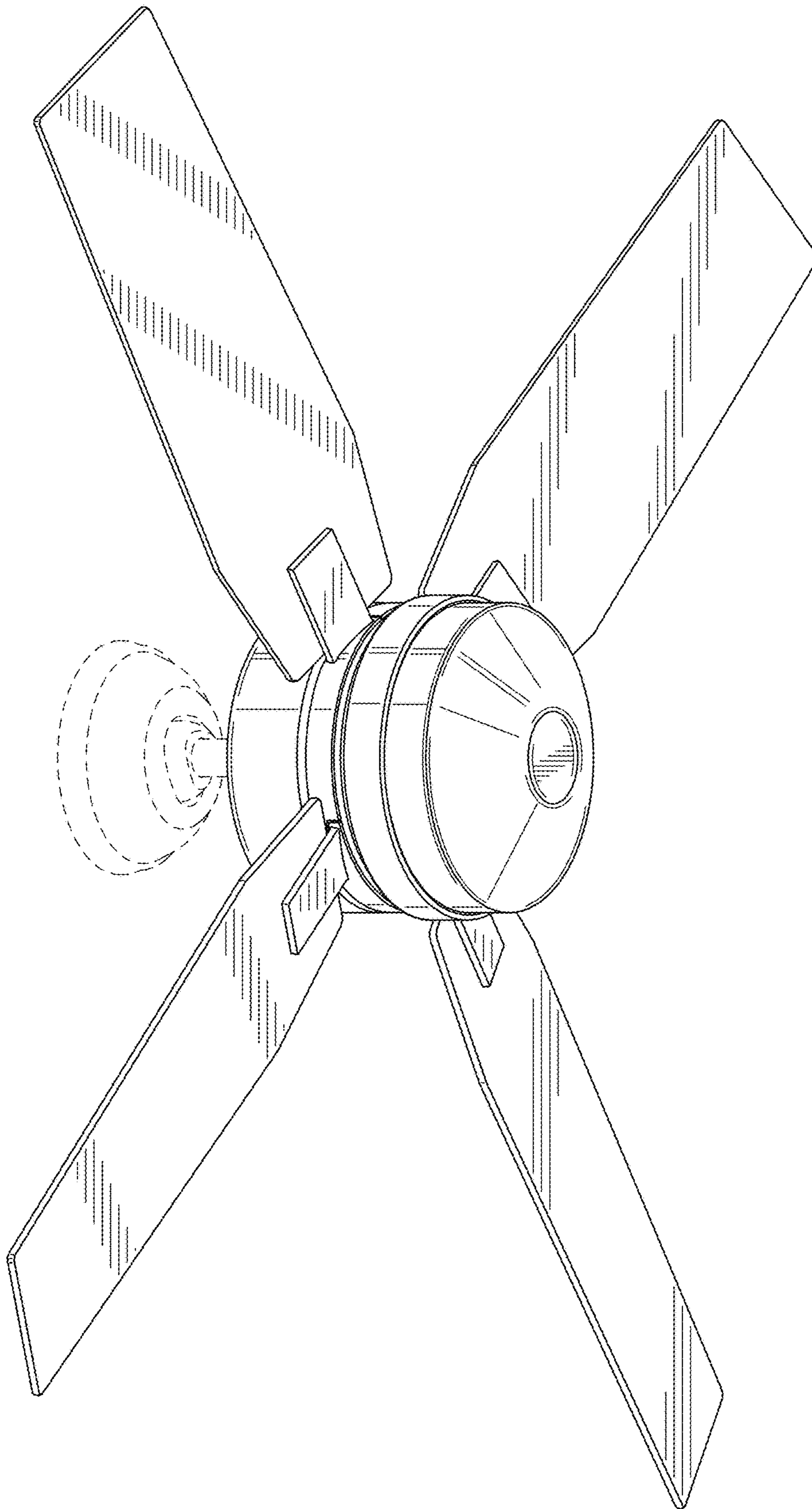


FIG.2

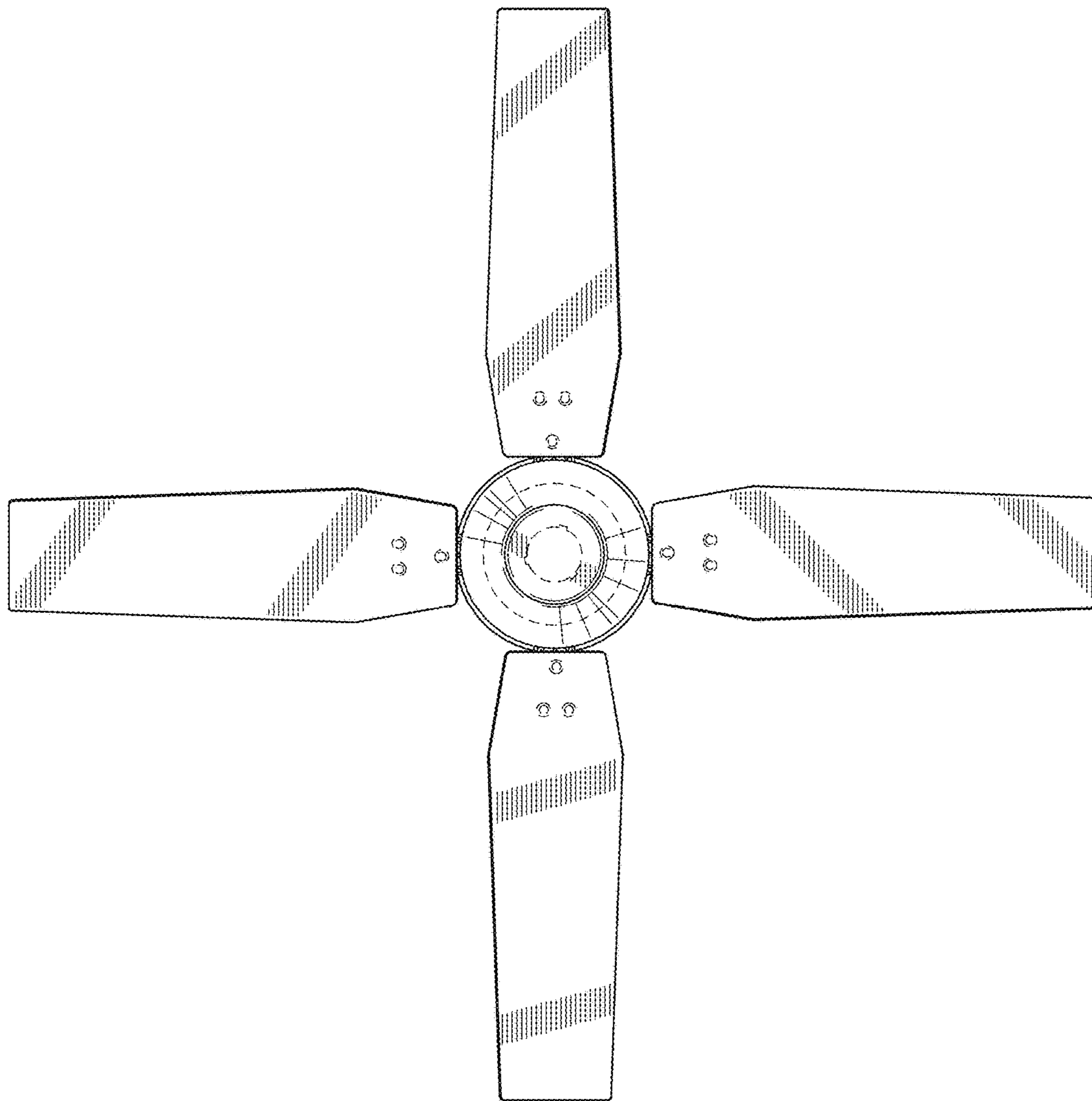


FIG.3

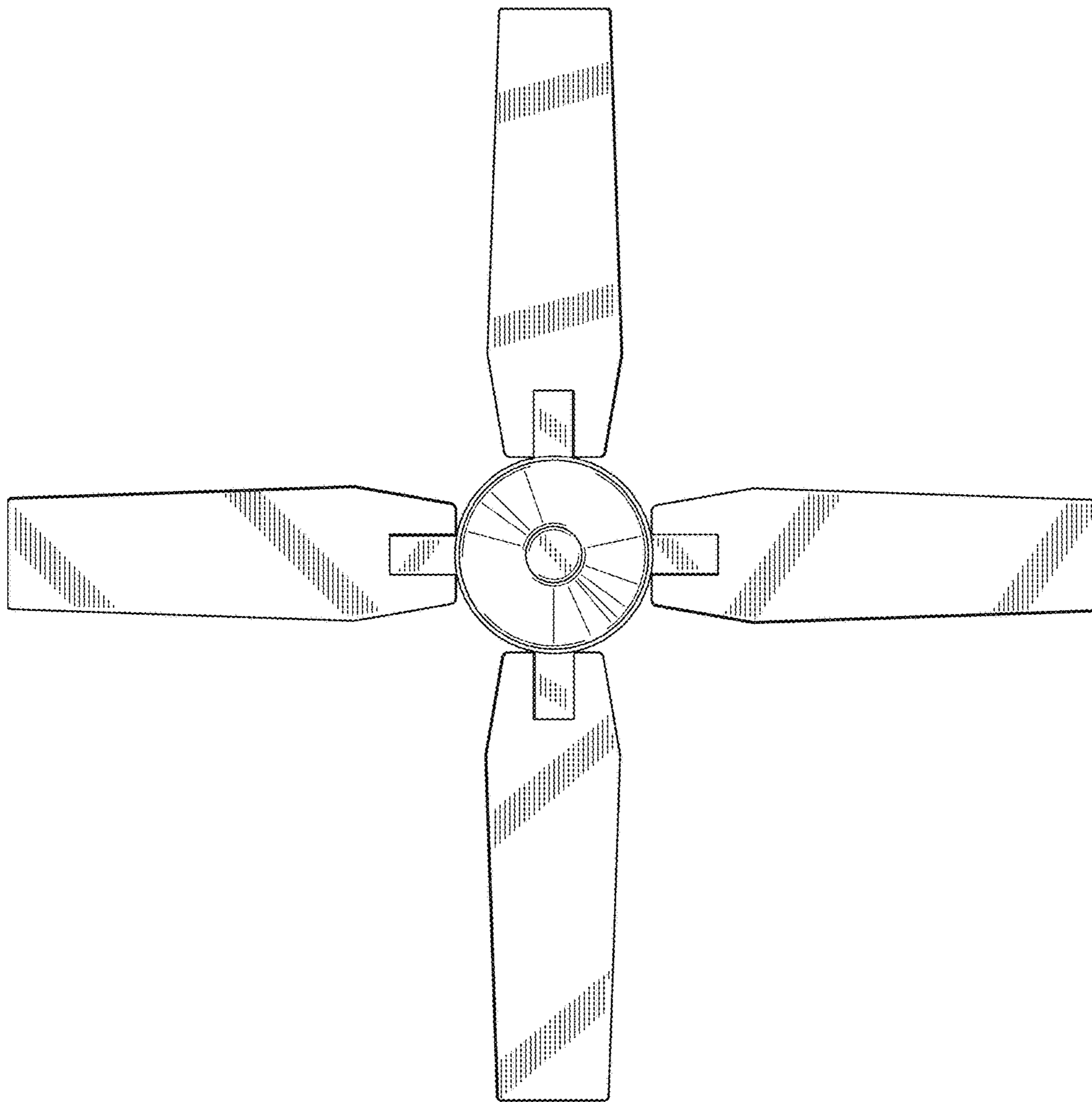


FIG. 4

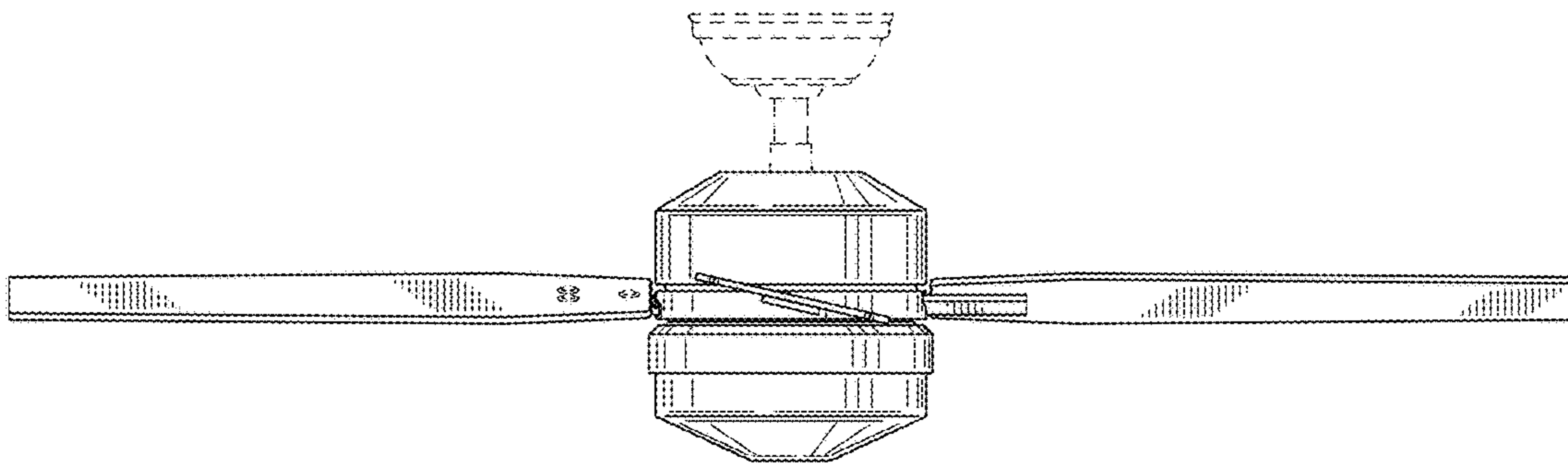


FIG. 5

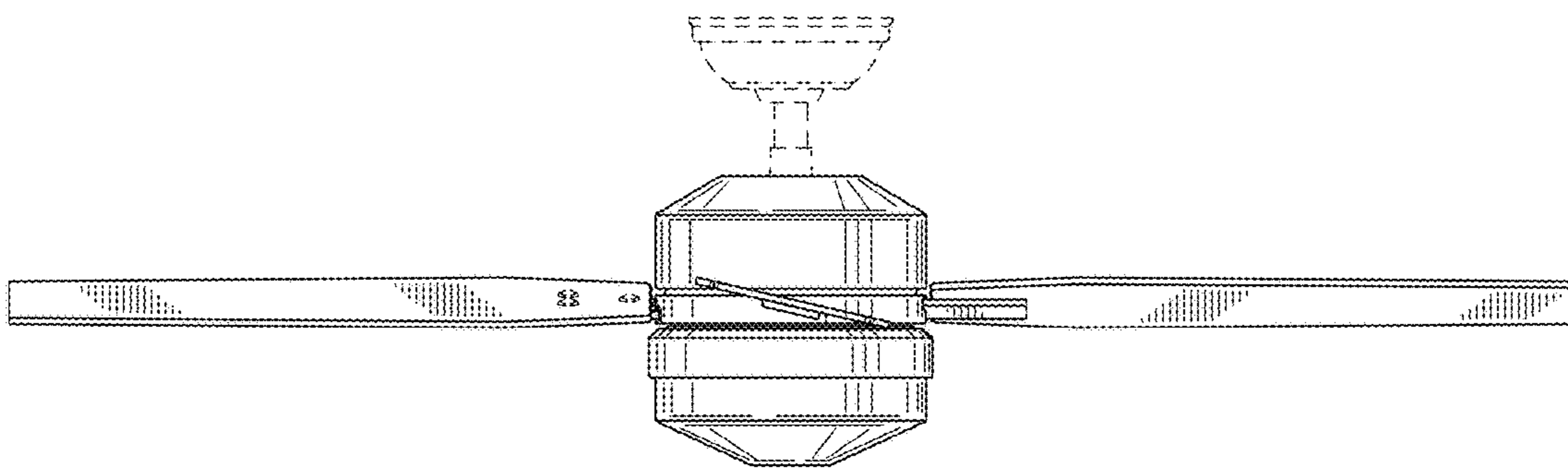


FIG. 6