



US00D804629S

(12) **United States Design Patent** (10) **Patent No.:** **US D804,629 S**  
**McRoberts et al.** (45) **Date of Patent:** **\*\* Dec. 5, 2017**

(54) **CEILING FAN**

(71) Applicant: **HUNTER FAN COMPANY**,  
Memphis, TN (US)  
(72) Inventors: **Claire Bernice McRoberts**, Memphis,  
TN (US); **Christine Holmes**, Cordova,  
TN (US)  
(73) Assignee: **Hunter Fan Company**, Memphis, TN  
(US)  
(\*\*) Term: **15 Years**

(21) Appl. No.: **29/553,853**  
(22) Filed: **Feb. 5, 2016**  
(51) **LOC (10) Cl.** ..... **23-04**  
(52) **U.S. Cl.**  
USPC ..... **D23/377**  
(58) **Field of Classification Search**  
USPC ..... D23/355, 370-376, 378-387, 412, 414,  
D23/377, 411, 413; D26/59; D12/214  
CPC ..... F04D 25/088; F21V 33/0096  
See application file for complete search history.

(56) **References Cited**

**U.S. PATENT DOCUMENTS**

D246,796 S *	12/1977	Laymon	.....	D23/413
4,073,598 A	2/1978	Mizutani et al.		
4,592,702 A *	6/1986	Bogage	.....	F04D 25/088 310/89
D314,618 S *	2/1991	Yen	.....	D23/377
D322,475 S	12/1991	Markwardt et al.		
D328,785 S *	8/1992	Markwardt	.....	D23/377
D328,948 S	8/1992	Wang		
D344,129 S *	2/1994	Markwardt	.....	D23/377
D389,908 S	1/1998	Dolan		
D421,113 S *	2/2000	Zuege	.....	D23/377
D453,216 S *	1/2002	Gajewski	.....	D23/377
D532,510 S *	11/2006	Pickett	.....	D23/411
7,210,910 B1 *	5/2007	Parker	.....	F04D 25/088 416/223 R

(Continued)

**OTHER PUBLICATIONS**

Canarm LTD Calibre BPT 48 Frosted Glass 1 Bulb Light Kit, date first available Jul. 10, 2009, amazon.com, site visited Jun. 1, 2017, Copyright © 1994-2017, Available from Internet, <https://www.amazon.com/dp/B002EVPNWI/ref=psdc\_404433011\_t3\_B0045CVL6G>.\*

(Continued)

*Primary Examiner* — Karen E Kearney  
*Assistant Examiner* — Sharon S Oum  
(74) *Attorney, Agent, or Firm* — McGarry Bair PC

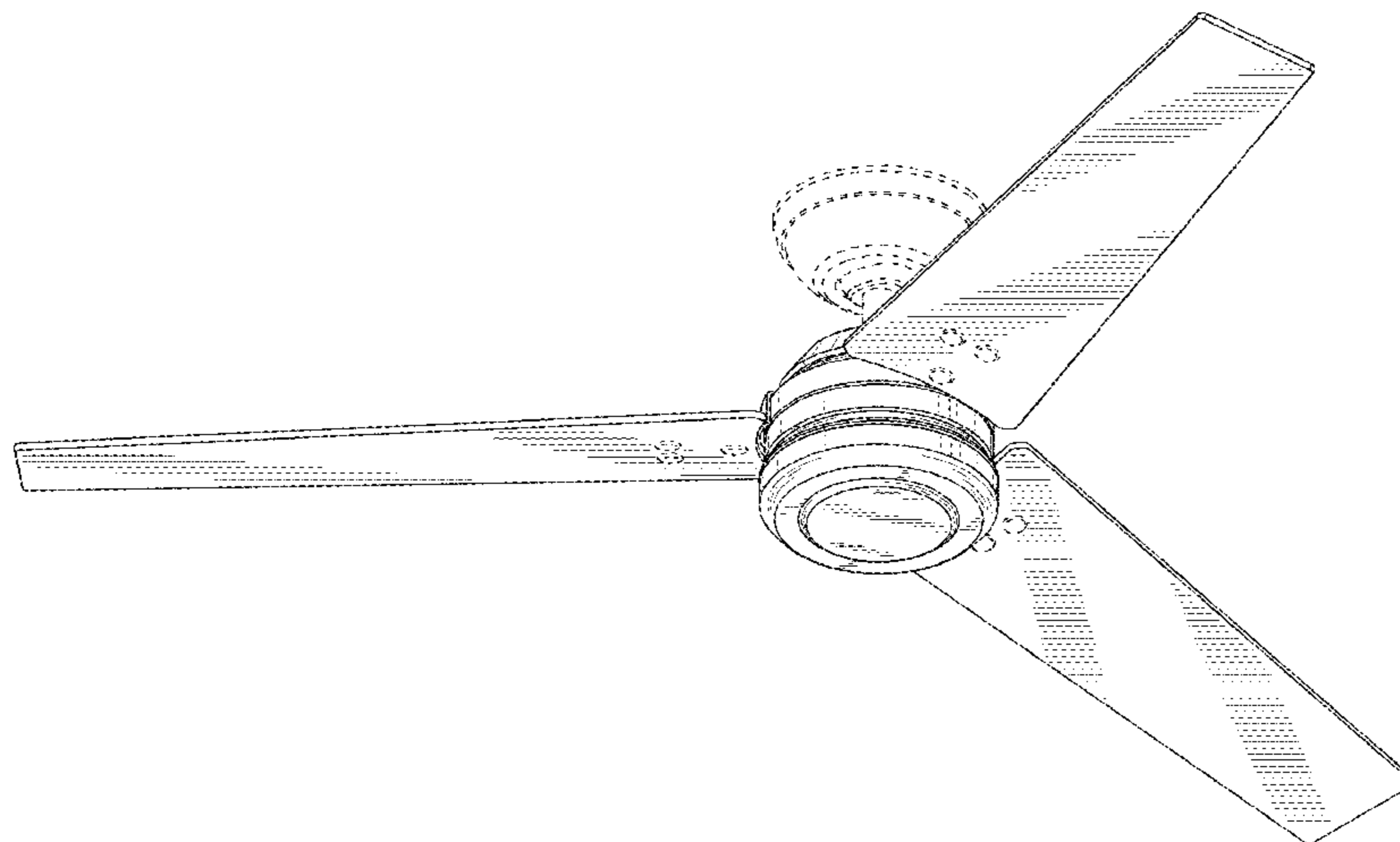
(57) **CLAIM**

The ornamental design for a ceiling fan, as shown and described.

**DESCRIPTION**

FIG. 1 is a top perspective view of a first embodiment of a ceiling fan;  
FIG. 2 is a bottom perspective view of the ceiling fan of FIG. 1;  
FIG. 3 is a top view of the ceiling fan of FIG. 1;  
FIG. 4 is a bottom view of the ceiling fan of FIG. 1;  
FIG. 5 is a right side view of the ceiling fan of FIG. 1;  
FIG. 6 is a left side view of the ceiling fan of FIG. 1;  
FIG. 7 is a front view of the ceiling fan of FIG. 1;  
FIG. 8 is a rear view of the ceiling fan of FIG. 1;  
FIG. 9 is a top perspective view of a second embodiment of a ceiling fan;  
FIG. 10 is a bottom perspective view of the ceiling fan of FIG. 9;  
FIG. 11 is a top view of the ceiling fan of FIG. 9;  
FIG. 12 is a bottom view of the ceiling fan of FIG. 9; and,  
FIG. 13 is a side view of the ceiling fan of FIG. 9.  
Portions of the ceiling fan shown in broken lines form no part of the claimed design.

**1 Claim, 13 Drawing Sheets**



(56)

## References Cited

## U.S. PATENT DOCUMENTS

7,665,967 B1 *	2/2010	Parker	.....	F04D 29/38 416/223 R
D627,456 S *	11/2010	Glasbrenner	.....	D23/411
D627,873 S *	11/2010	Pan	.....	D23/411
D627,874 S *	11/2010	Pan	.....	D23/411
D628,688 S *	12/2010	Pan	.....	D23/377
D632,381 S *	2/2011	Davenport	.....	D23/377
D632,384 S *	2/2011	Pan	.....	
D705,970 S *	5/2014	Ertze	.....	D26/59
D707,336 S *	6/2014	Pan	.....	
D715,917 S *	10/2014	Hidalgo	.....	D23/377
D744,634 S *	12/2015	Wang	.....	D23/411
D751,187 S *	3/2016	Dolan	.....	D23/377

## OTHER PUBLICATIONS

Fanimation FP46400B Zonix Wet Location Ceiling Fan, date first available Feb. 15, 2010, amazon.com, site visited Jun. 1, 2017, Copyright © 1994-2017, Available from Internet, <[https://www.amazon.com/Fanimation-FP46400B-Location-Ceiling-Rubbed/dp/B004SE1XSW/ref=sr\\_1\\_3?ie=UTF8&qid=1496350008&sr=8-3&keywords=fanimation+zonix](https://www.amazon.com/Fanimation-FP46400B-Location-Ceiling-Rubbed/dp/B004SE1XSW/ref=sr_1_3?ie=UTF8&qid=1496350008&sr=8-3&keywords=fanimation+zonix)>.\*

<http://www.minkagroup.net/minka-aire/products>, Item Specification for Roto F524-ABD 52" 3 Blade Ceiling Fan in Brushed Aluminum Finish with Silver Blades, accessed Feb. 4, 2016.

[http://www.homedepot.com/p/Westinghouse-Industrial-56-in-Brushed-Nickel-Ceiling-Fan-7861400/202759709?MERCH=REC\\_-PIPHorizontal1\\_IT\\_-205791277\\_-202759709\\_-N](http://www.homedepot.com/p/Westinghouse-Industrial-56-in-Brushed-Nickel-Ceiling-Fan-7861400/202759709?MERCH=REC_-PIPHorizontal1_IT_-205791277_-202759709_-N), Westinghouse Industrial 56 in. Brushed Nickel ceiling Fan, Model # 7861400, accessed Feb. 4, 2016.

[http://www.cgglobal.com/frontend/cp\\_product.aspx?id=JiFIOQIrp7g=8,cetid%20=0FwOFC0udGs](http://www.cgglobal.com/frontend/cp_product.aspx?id=JiFIOQIrp7g=8,cetid%20=0FwOFC0udGs), Crompton Greaves Mountainbreeze Deco, accessed Feb. 4, 2016.

<http://www.kingoffans.com/#/products/ceilingFans>, King of Fan Industrial Model # 92856, accessed Feb. 4, 2016.

<http://www.homedepot.com/p/Hampton-Bay-Industrial-60-in-Brushed-Steel-Indoor-Energy-Star-Ceiling-Fan-52869/202670136>, Hampton Bay Model # 52869 Internet # 202670136 Store SKU # 434940 Industrial 60 in. Brushed Steel Indoor Energy Star Ceiling Fan, accessed Feb. 4, 2016.

[http://www.lowes.com/pd\\_698417-82939-40764\\_1z0vgaxZ1z140v4\\_?productId=999945836&pI=1](http://www.lowes.com/pd_698417-82939-40764_1z0vgaxZ1z140v4_?productId=999945836&pI=1), Harbor Breeze 48-in Brushed Nickel Downrod or Close Mount Indoor Ceiling Fan with Light Kit (3-Blade) Item #: 698417 | Model #: 40764, accessed Feb. 4, 2016.

<http://www.minkagroup.net/minka-aire/products>, Minka Aire Java F753-BNW Java, accessed Feb. 4, 2016.

<http://ceilingfans.emerson.com/shop/en/fan/fans-s-emerson-fans/fans-s-contemporary/loft-fan-p-c1765>, Emerson Loft SKU: CF765WW, accessed Feb. 4, 2016.

<http://ceilingfans.emerson.com/shop/en/fan/fans-s-emerson-fans/fans-s-pro-series/56-industrial-fan-p-hf956>, Emerson 56" Industrial SKU: HF956BS, accessed Feb. 4, 2016.

<http://www.montecarlofans.com/44073/60in-Empire---Brushed-Steel-8EER60BSD.html>, 60" Empire—Brushed Steel Product #: 8EER60BSD, accessed Feb. 4, 2016.

<http://www.craftmade.com/Craftmade-VE58FB3-Flat-Black-Ceiling-Fan.HTM>, Craftmade Velocity 58" Ceiling Fan Blades Included in Flat Black Product #: VE58FB3 (647881105303—168162), accessed Feb. 4, 2016.

<http://www.fanimation.com/products/index.php/catalogsearch/resultnq=ascension>, Ascension SKU: FP6717 Categories: Fans, Indoor, Damp Rated, accessed Feb. 4, 2016.

<http://www.kichler.com/products/product/56-inch-industrial-fan-sbk-337015sbk.aspx>, Industrial Collection 56 Inch Industrial Fan SBK 337015SBK (Satin Black), accessed Feb. 4, 2016.

<http://www.hunterpacific.com.au/typhoonM2.php>, Typhoon Mach 2, accessed Feb. 4, 2016.

<http://www.kichler.com/products/product/48-in-pc-blade-for-arkwright-ap-370029ap.aspx>, 370029AP (Antique Pewter), accessed Feb. 4, 2016.

<http://www.minkagroup.net/minka-aire/products>, F828-ORB Symbio SelectDescription Details Manual & Specs 56" Ceiling Fan in Brushed Nickel Finish with Medium Maple Blades with Tea Stain Glass, accessed Feb. 4, 2016.

<http://www.minkagroup.net/minka-aire/products>, F531-L-BN Flyte® Select Description Details Manual & Specs 56" 3 Blades in Brushed Nickel Finish w/Birdseye Maple Blades w/ White Opal Glass, accessed Feb. 4, 2016.

<http://www.modernfan.com/products/torsion.html>, Cooly by design, Torsion, accessed Feb. 4, 2016.

<http://www.hunterfan.com/Ceiling-Fans/Stockbridge?ModelNumber=55042>, Stockbridge®—70" Ceiling Fan 55042 New Bronze Finish 5 Walnut / Medium Oak Reversible Plywood blades included, accessed Feb. 4, 2016.

<http://www.homedepot.com/p/Hampton-Bay-Kemper-11-52-in-Liquid-Nickel-Ceiling-Fan-AL663A-LN/203245520>, Hampton Bay Model # AL663A-LN Internet # 203245520 Kemper II 52 in. Liquid Nickel Ceiling Fan, accessed Aug. 1, 2017.

<http://www.bigassfans.com/products/essence/>, Bigass Fans, Gearless Direct-Drive Motor for Silent Operation, accessed Feb. 4, 2016.

\* cited by examiner



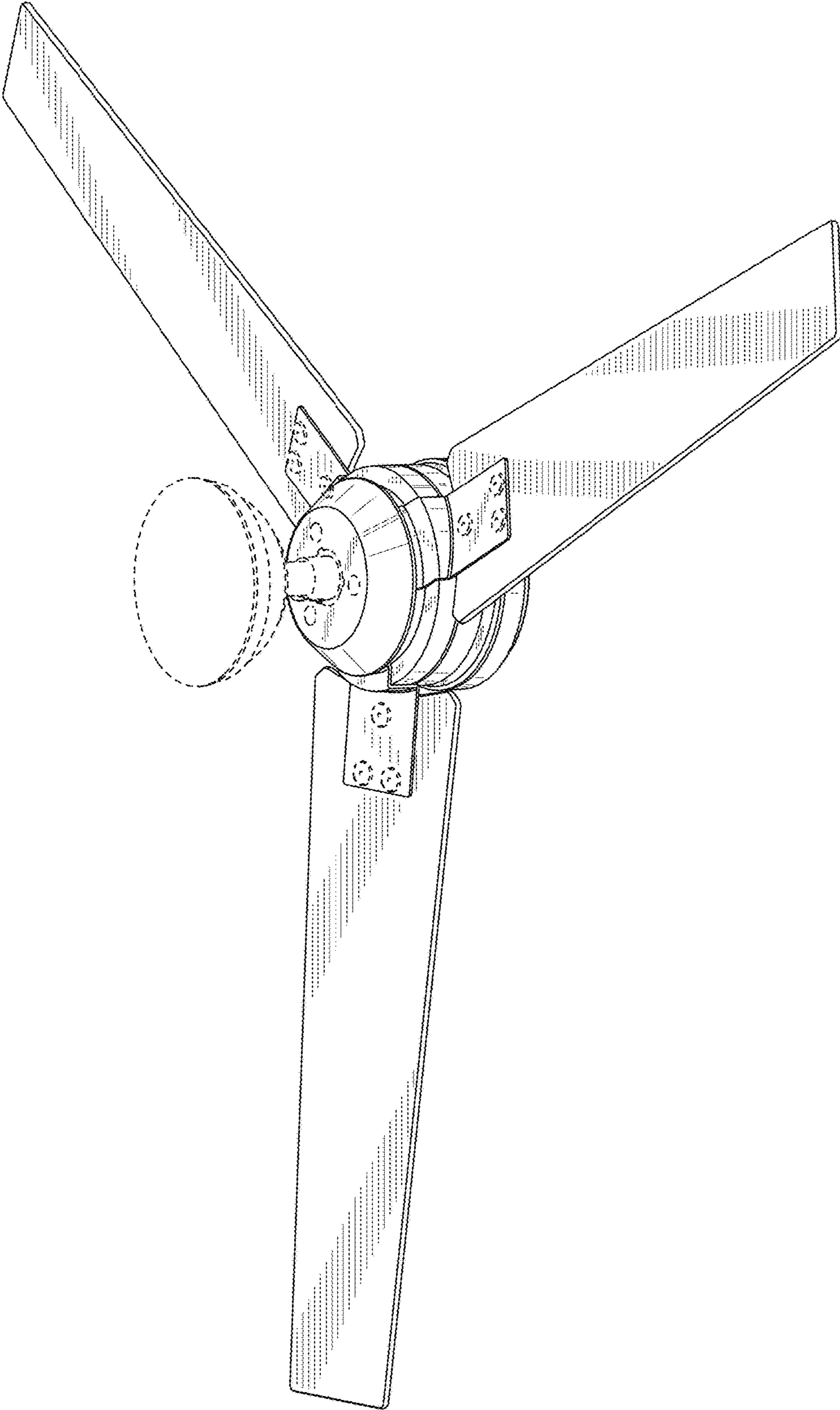


FIG. 1

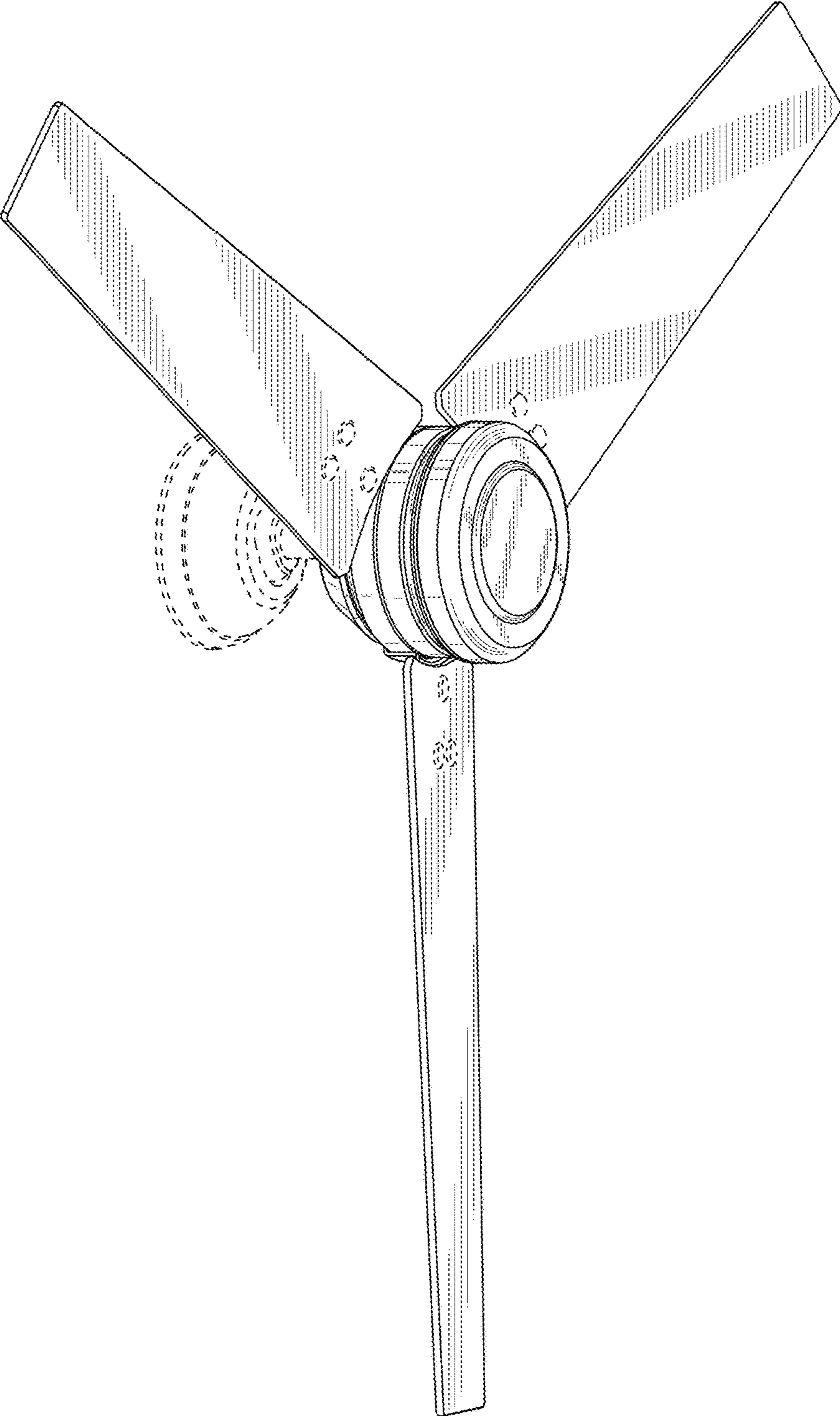


FIG. 2

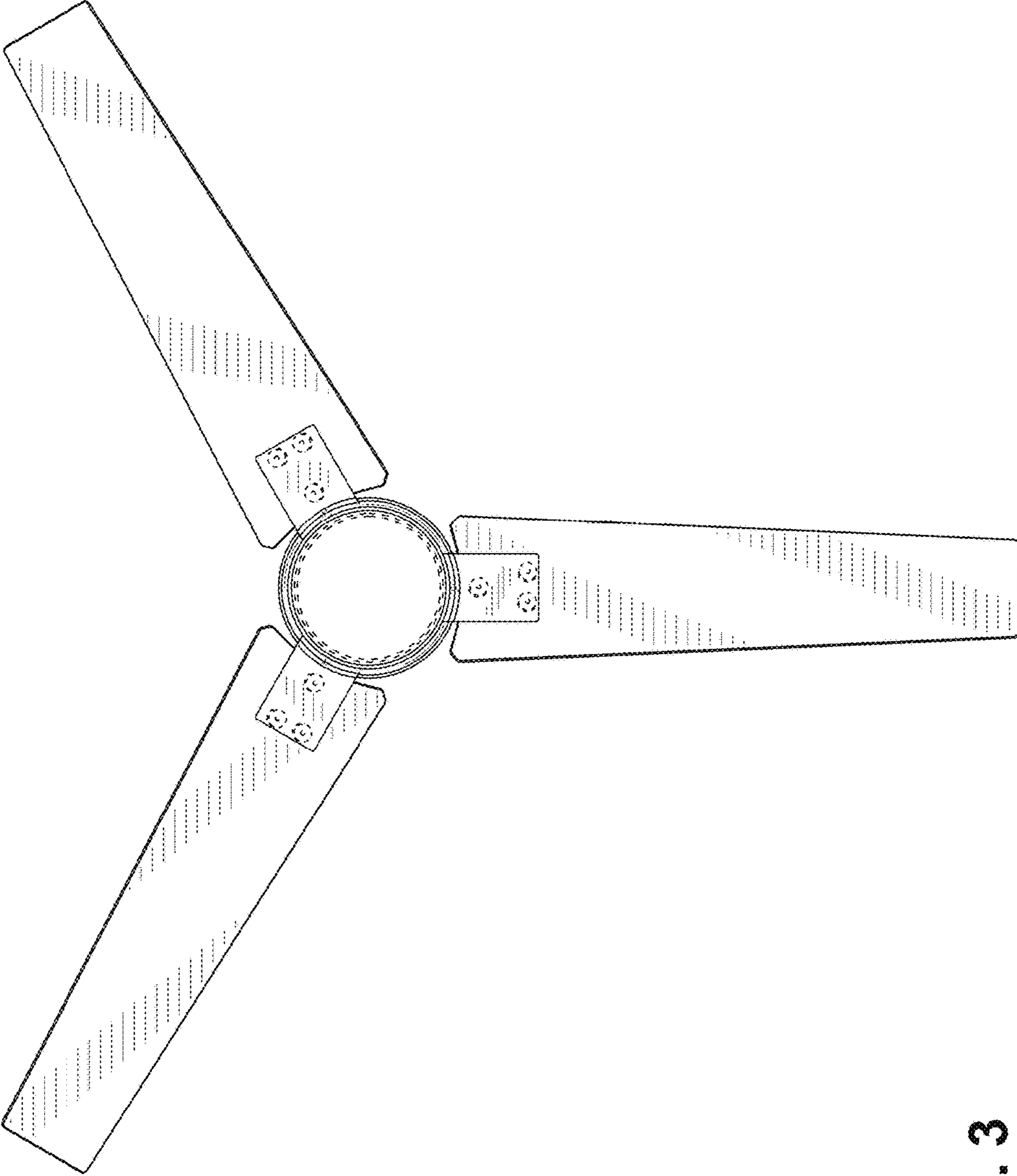


FIG. 3

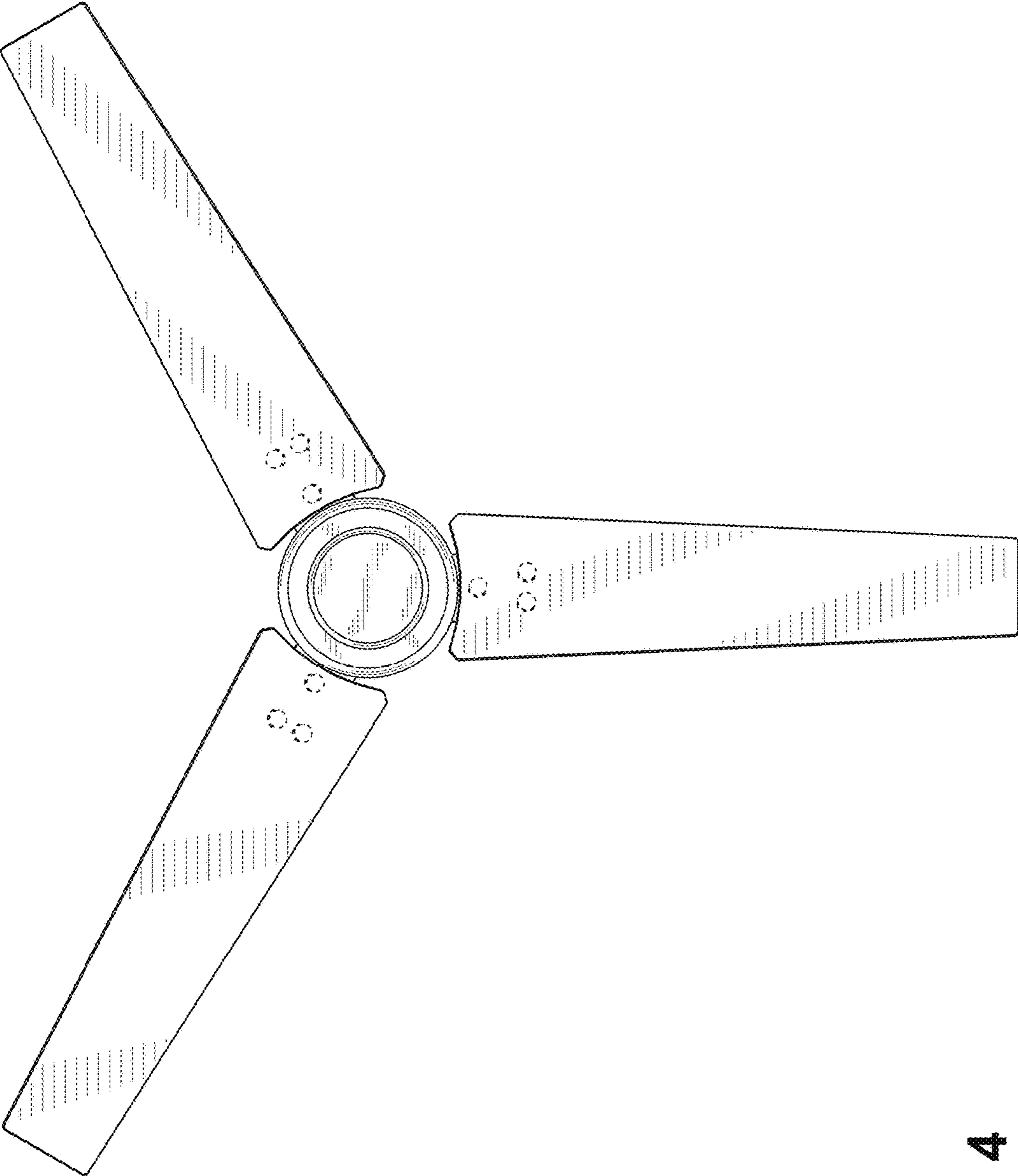


FIG. 4

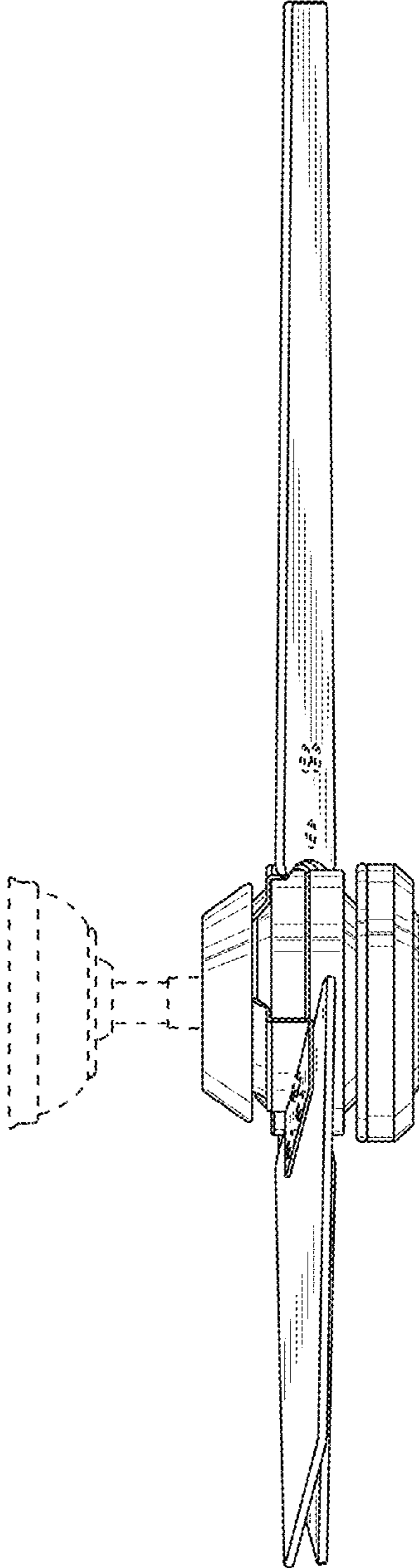


FIG. 5

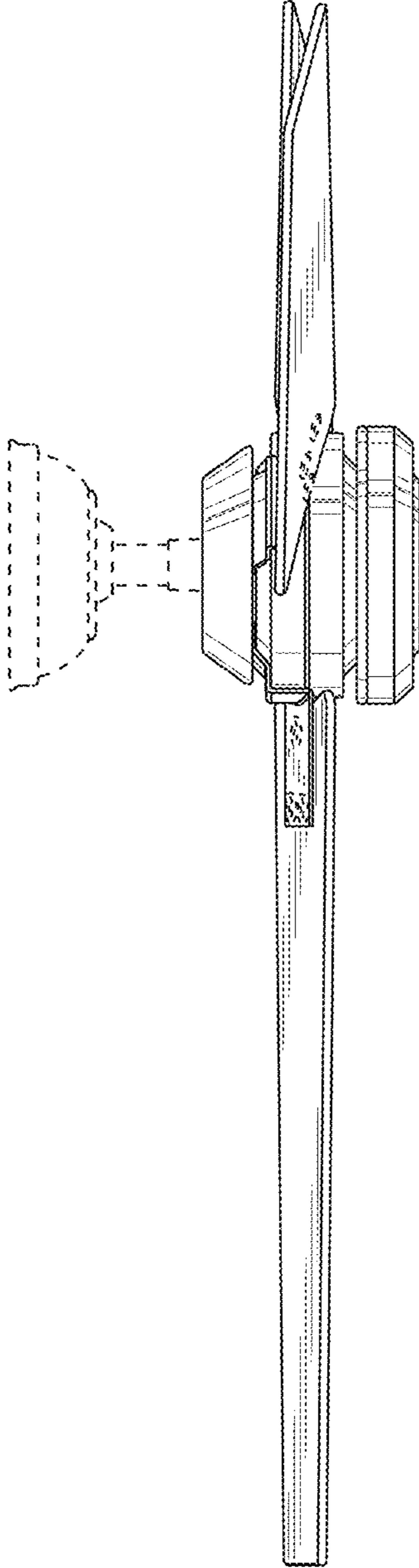


FIG. 6



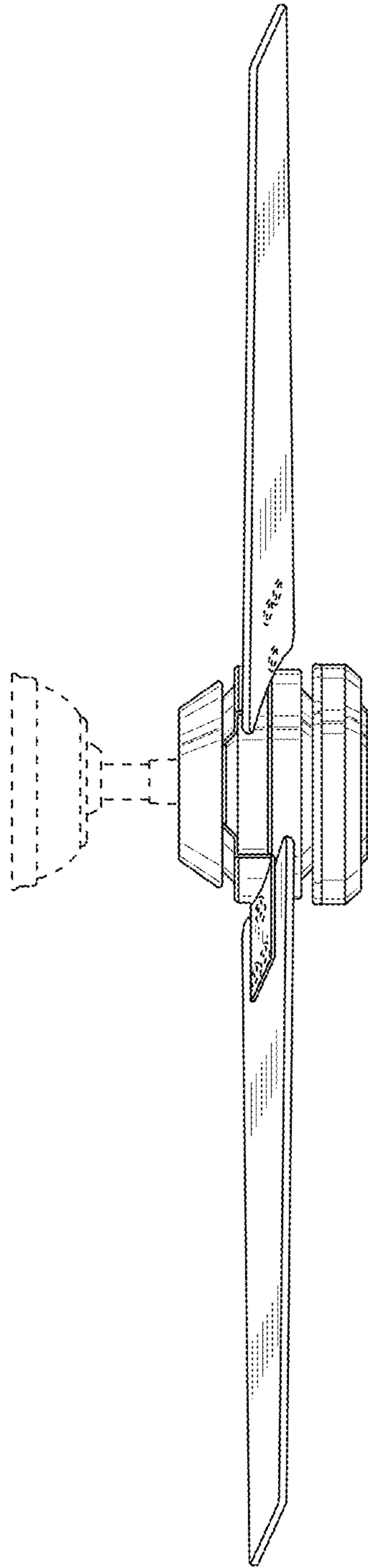


FIG. 7

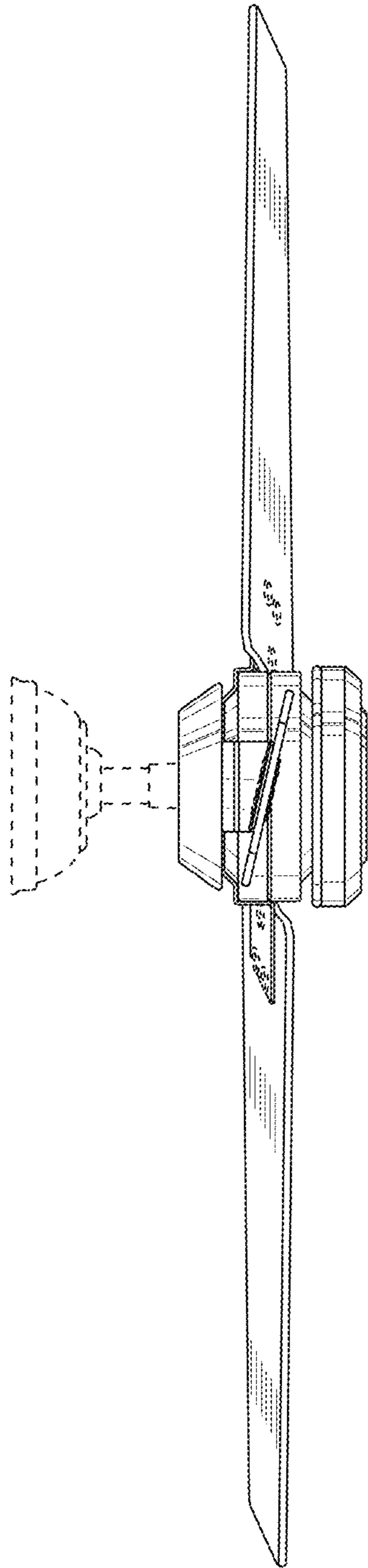


FIG. 8

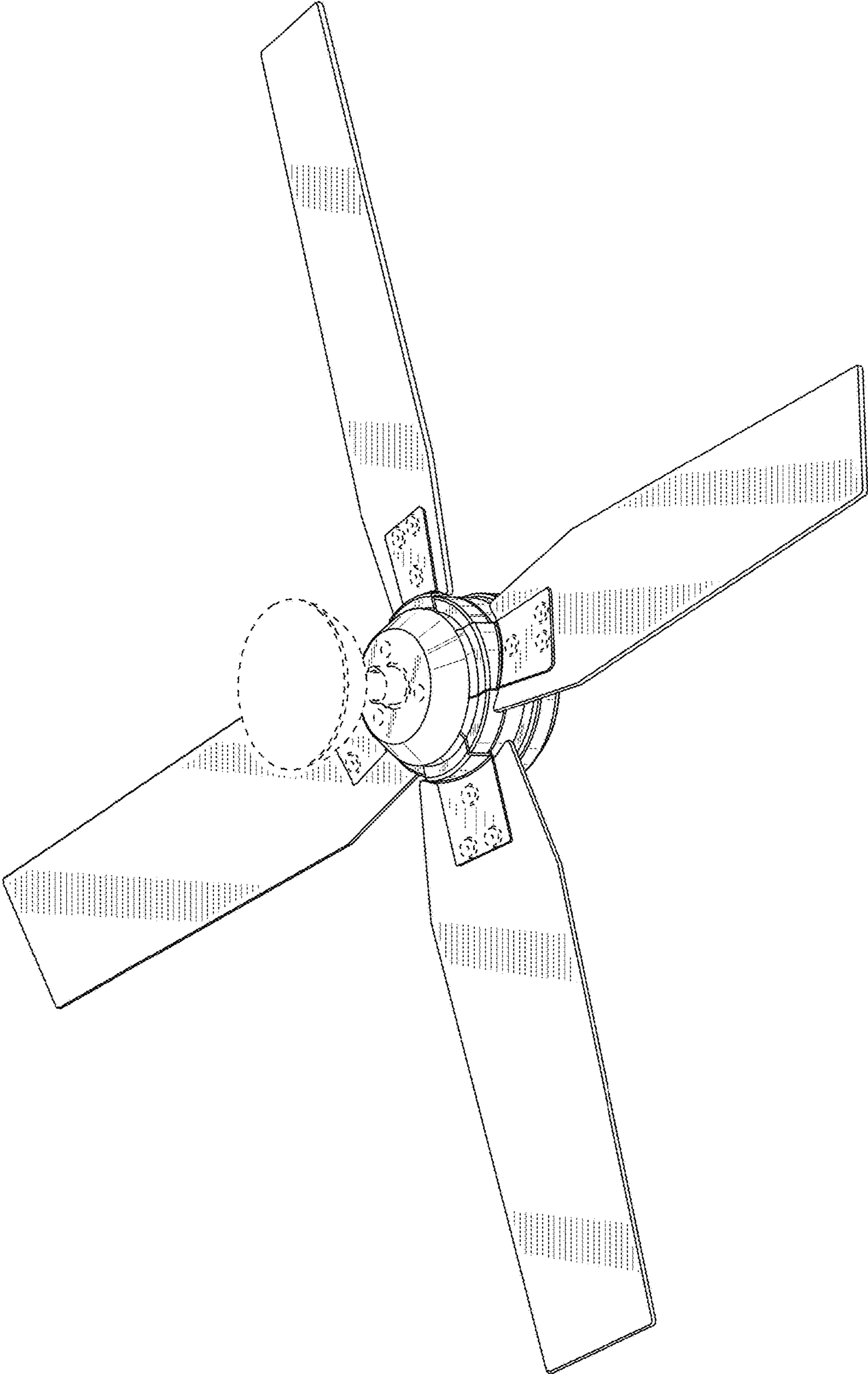


FIG. 9

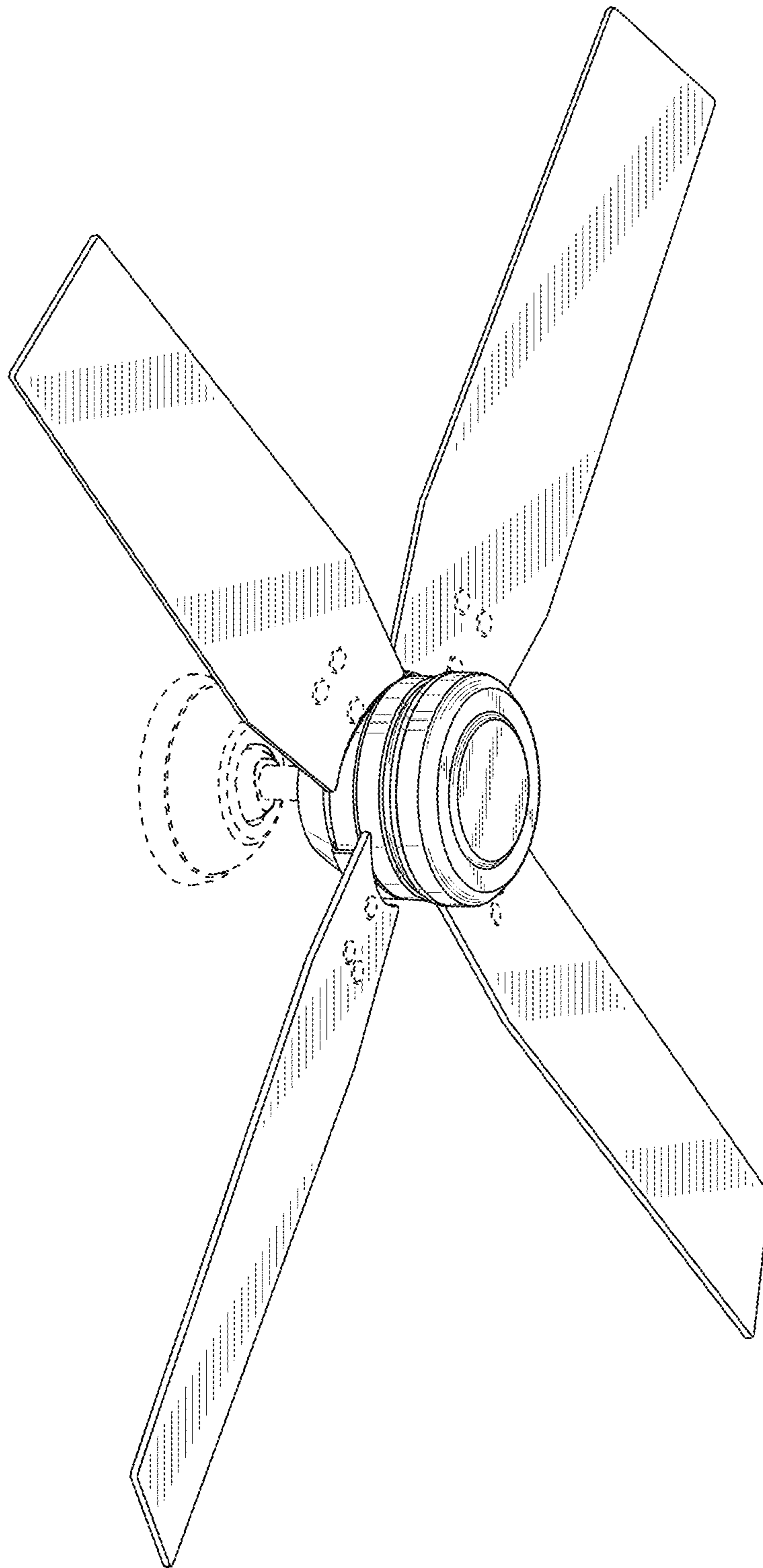


FIG. 10



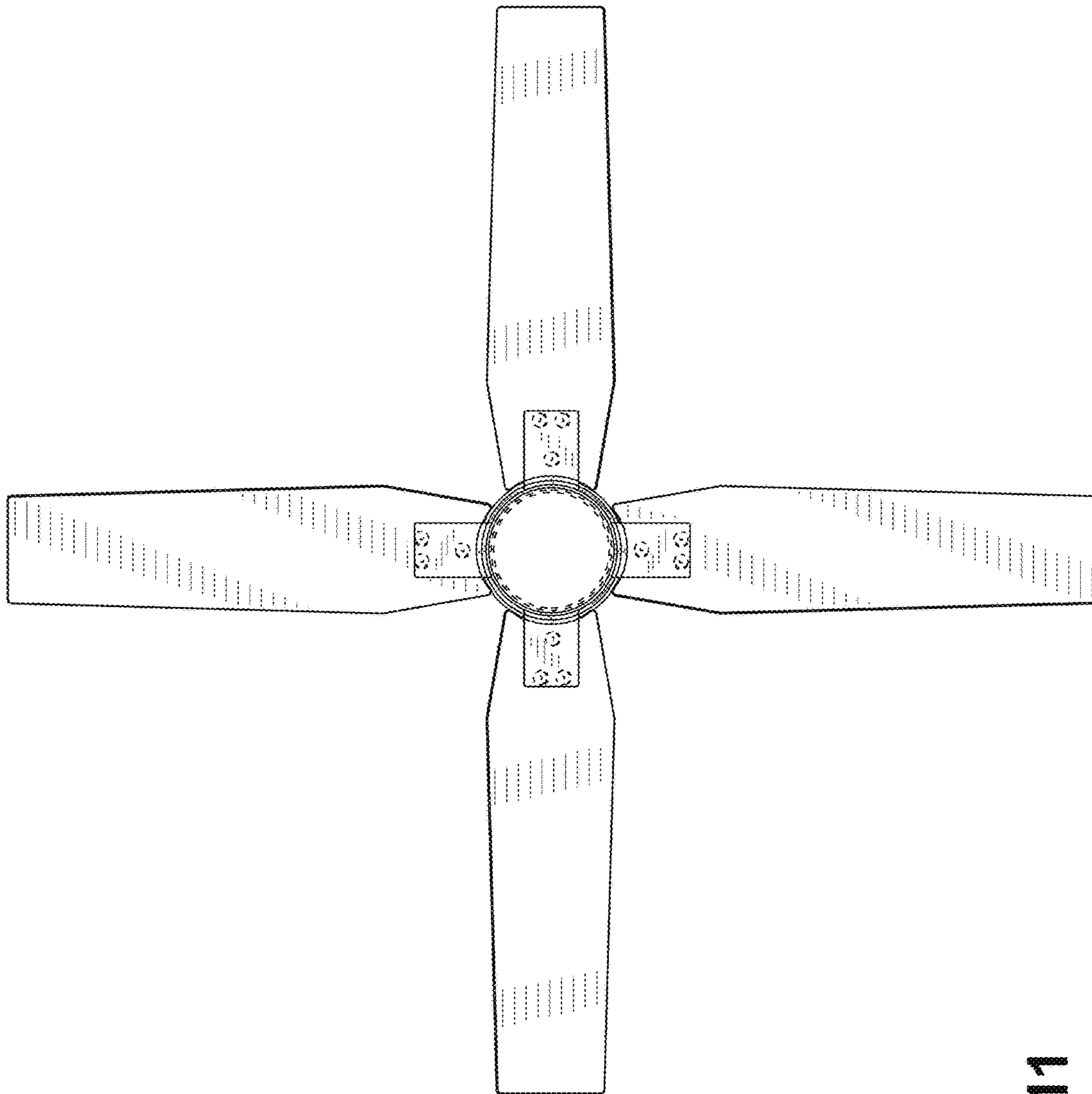


FIG. 11

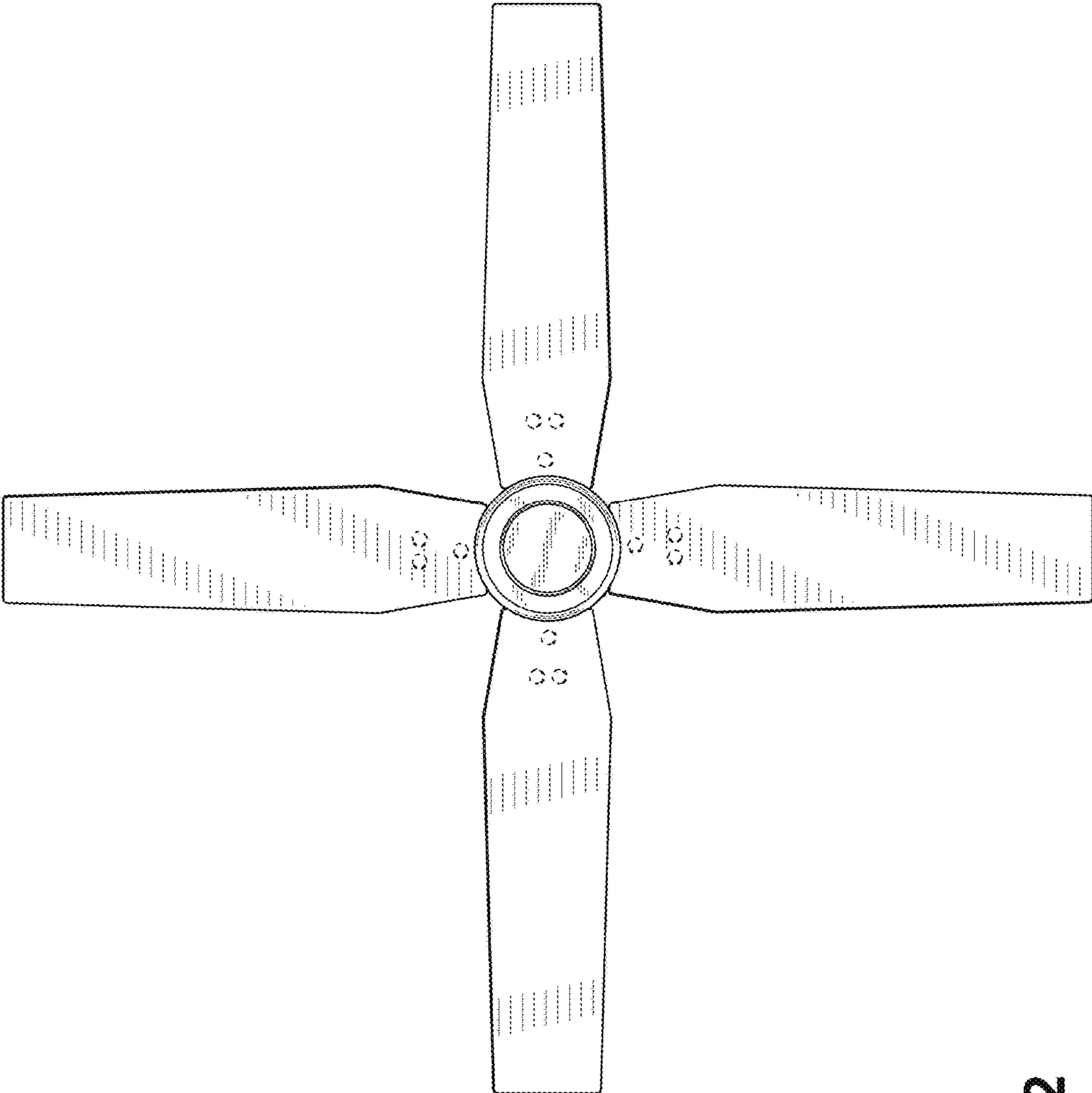


FIG. 12

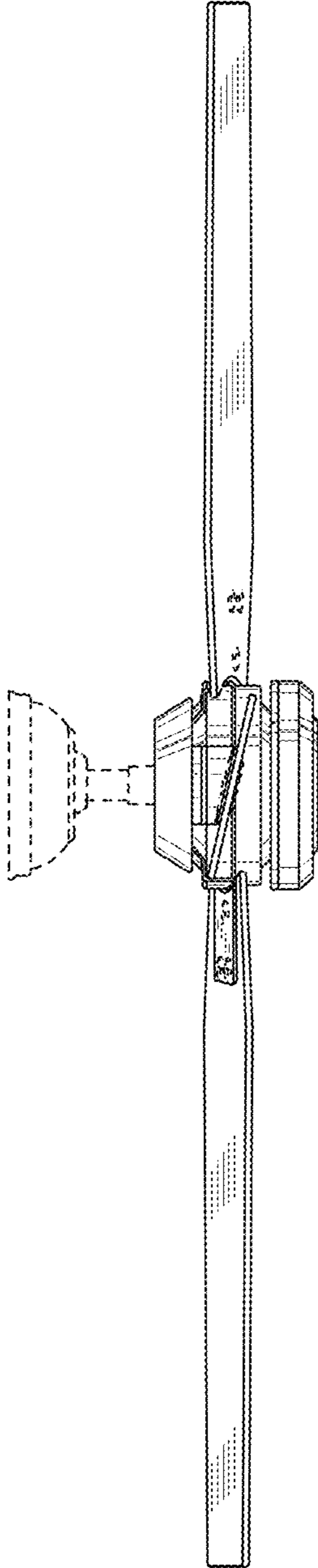


FIG. 13