

US00D804628S

(12) **United States Design Patent**  
**Fiser**

(10) **Patent No.:** **US D804,628 S**  
(45) **Date of Patent:** **\*\* Dec. 5, 2017**

(54) **ROOF VENT**

(71) Applicant: **Lomanco, Inc.**, Jacksonville, AR (US)

(72) Inventor: **Jakob D Fiser**, Jacksonville, AR (US)

(73) Assignee: **Lomanco, Inc.**, Jacksonville, AR (US)

(\*\*) Term: **15 Years**

(21) Appl. No.: **29/545,500**

(22) Filed: **Nov. 13, 2015**

(51) **LOC (10) Cl.** ..... **23-04**

(52) **U.S. Cl.**  
USPC ..... **D23/373**

(58) **Field of Classification Search**  
USPC ..... D23/373, 371, 370, 355, 314  
CPC ..... E04D 13/0325; F24F 11/047; F24F 7/04  
See application file for complete search history.

(56) **References Cited**

U.S. PATENT DOCUMENTS

3,469,519	A *	9/1969	Painter	.....	F24F 7/025 415/182.1
D329,694	S *	9/1992	Wimberly	.....	D23/373
5,561,952	A *	10/1996	Damron	.....	E04D 13/0325 454/199
D431,291	S *	9/2000	McKee	.....	D23/393
D556,314	S *	11/2007	Daniels, II	.....	D23/393
D629,093	S *	12/2010	Polston	.....	D23/373
D667,945	S *	9/2012	Irmer	.....	D23/373
D703,305	S *	4/2014	Stollenwerk O'Hagin	.....	D23/373
2014/0065944	A1 *	3/2014	Chamness	.....	F24F 11/047 454/275

\* cited by examiner

*Primary Examiner* — Cynthia Underwood

(74) *Attorney, Agent, or Firm* — Joe D. Calhoun

(57) **CLAIM**

I claim the ornamental design of a roof vent, as shown and described.

**DESCRIPTION**

FIG. 1 is a perspective view of the roof vent, in an exploded view configuration.

FIG. 2 is a top plan view of the vent of FIG. 1.

FIG. 3 is a bottom plan view the vent of FIG. 1.

FIG. 4 is a perspective view from the bottom of the vent of FIG. 1.

FIG. 5 is a side elevation view of the vent of FIG. 1; the opposite side is identical.

FIG. 6 is a side elevation view of the vent of FIG. 1, rotated ninety degrees; the opposite side is identical.

FIG. 7 is a closeup view of the material encircled in FIG. 4.

FIG. 8 is a perspective view from the top of the vent of FIG. 1, with the two lower parts assembled and with two upper parts missing.

FIG. 9 is a top plan view of the vent of FIG. 8.

FIG. 10 is a bottom plan view the vent of FIG. 8.

FIG. 11 is a side elevation view of the vent of FIG. 8; the opposite side is identical.

FIG. 12 is a side elevation view of the vent of FIG. 8, rotated ninety degrees; the opposite side is identical.

FIG. 13 is a perspective view from the top of the vent of FIG. 1, fully assembled and anchored to a roof, but with the roof shingles overlaying the parallel base hidden.

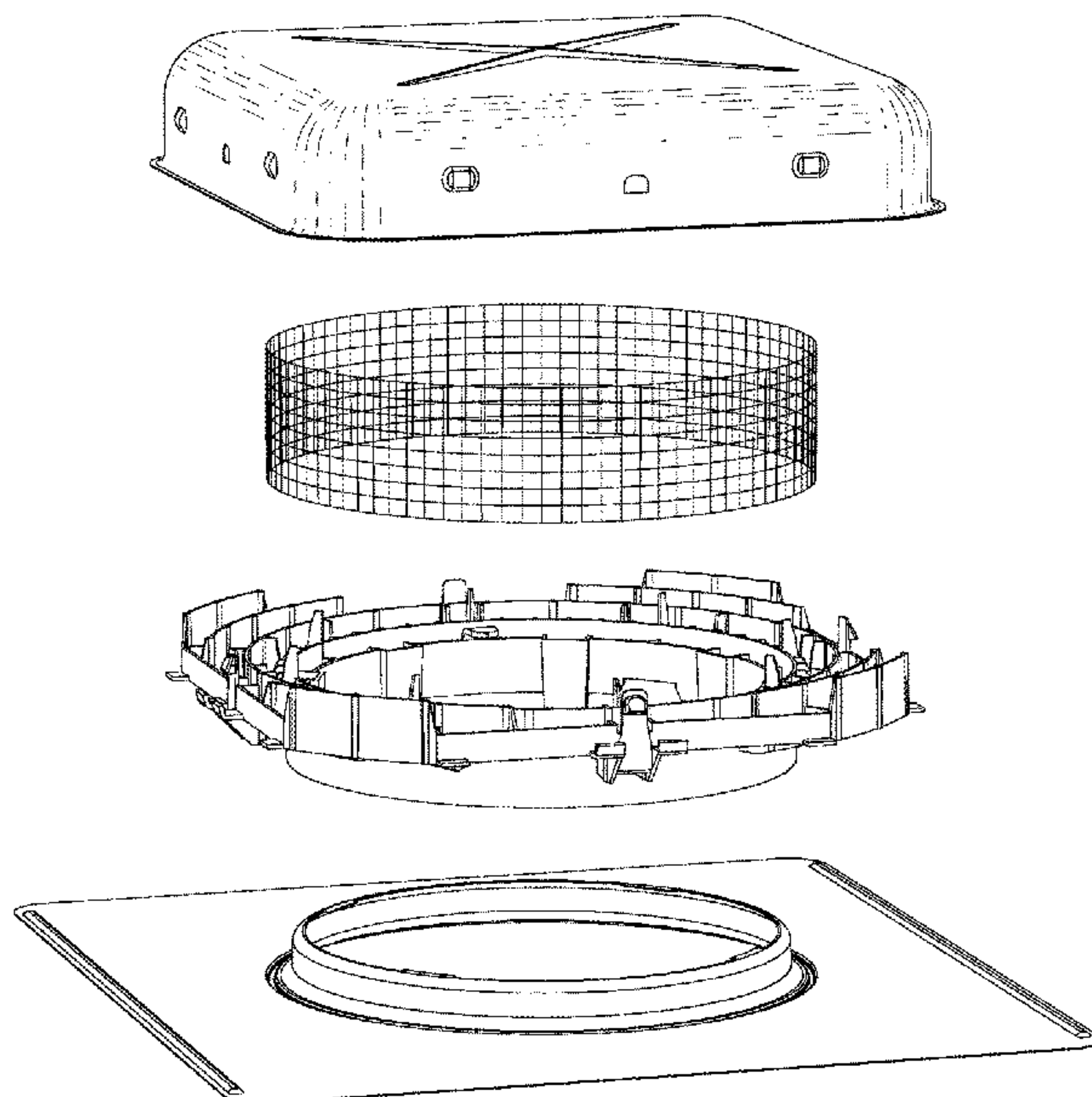
FIG. 14 is another perspective view of the vent of FIG. 13.

FIG. 15 is a side elevation view of the vent of FIG. 13; the opposite side is identical; and,

FIG. 16 is a side elevation view of the vent of FIG. 13, rotated ninety degrees; the opposite side is identical.

The broken lines forming a circle in FIG. 4 or showing a dwelling roof are not part of the claimed design.

**1 Claim, 12 Drawing Sheets**



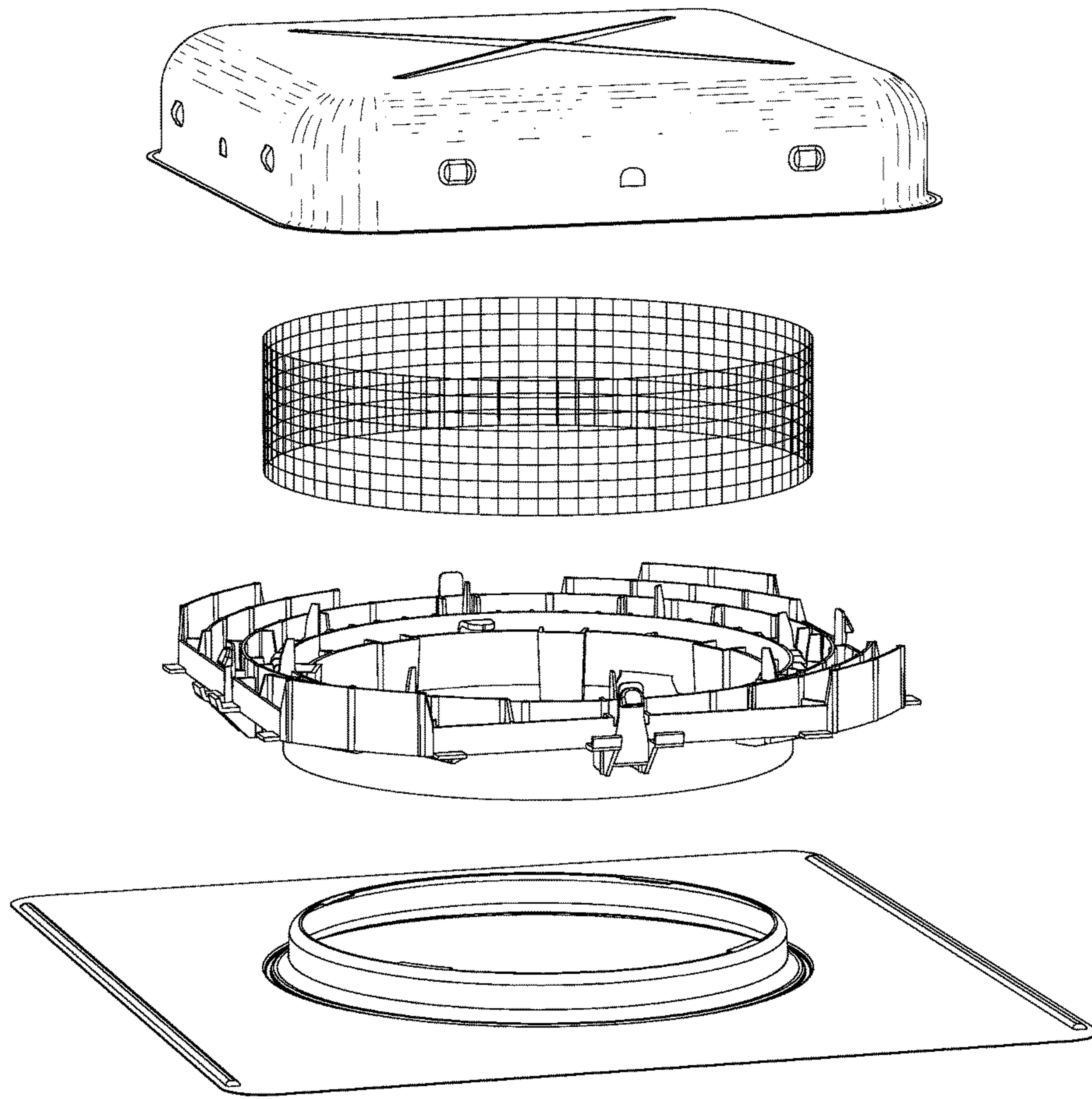


FIG. 1

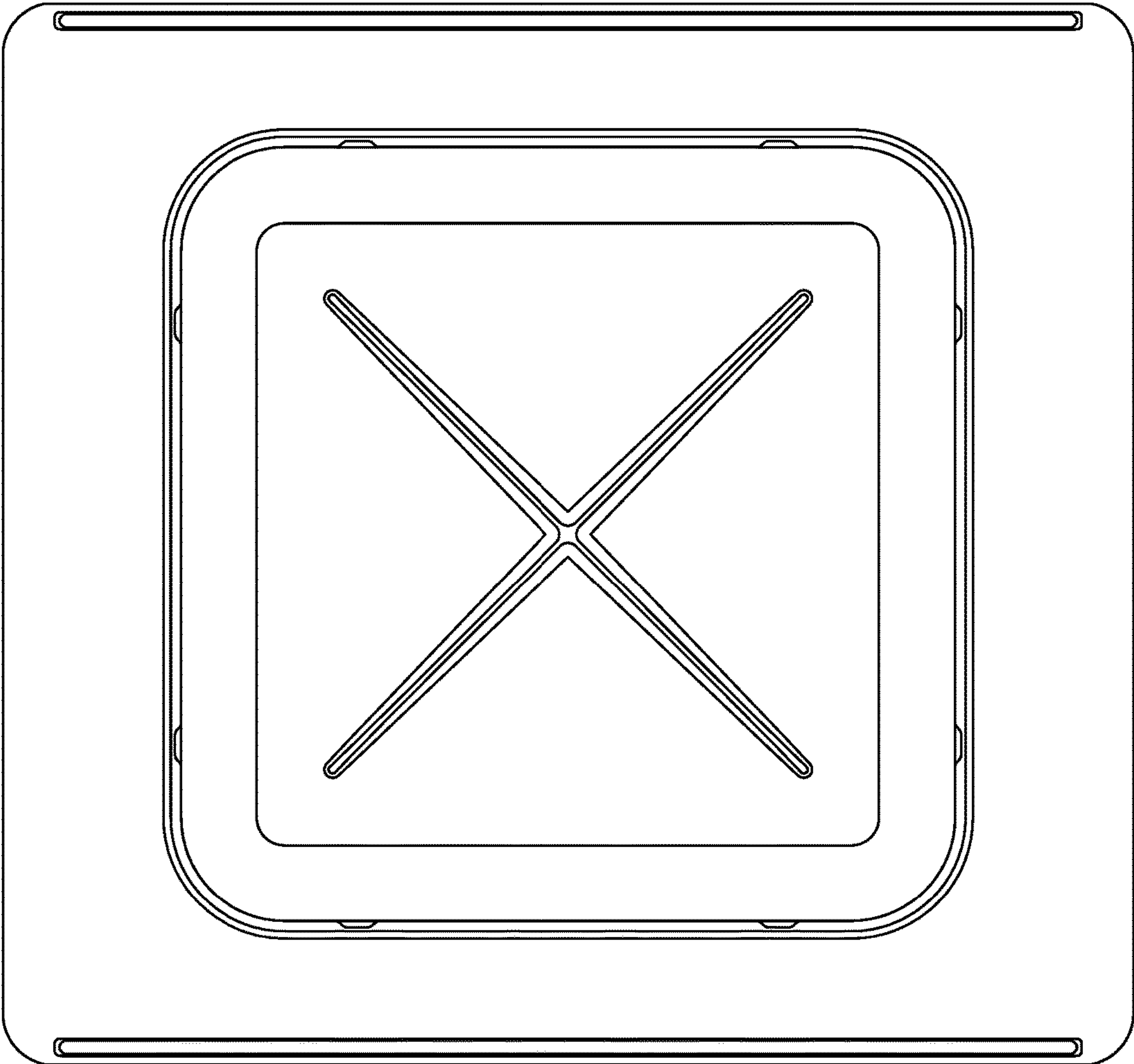


FIG. 2



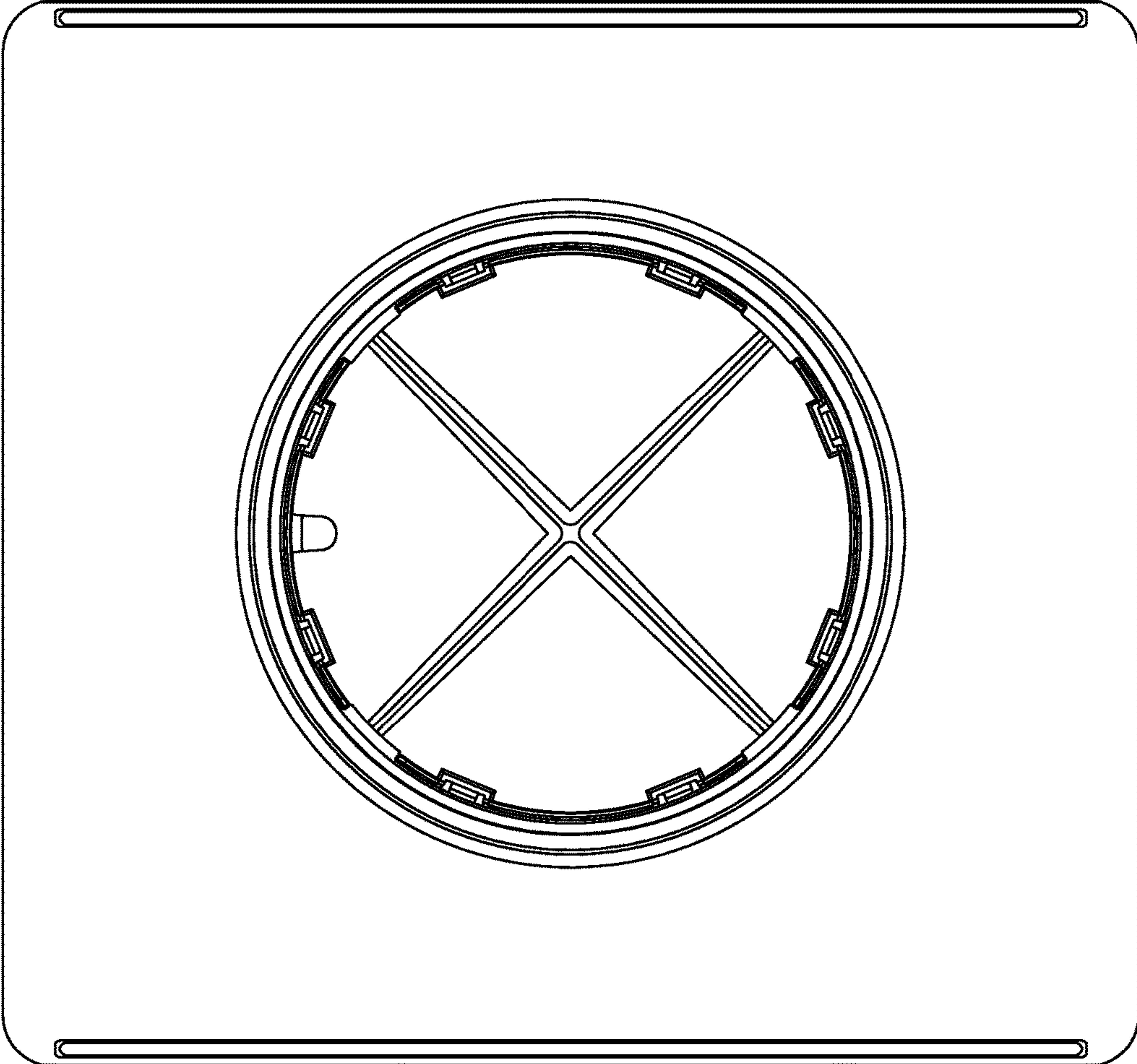


FIG. 3

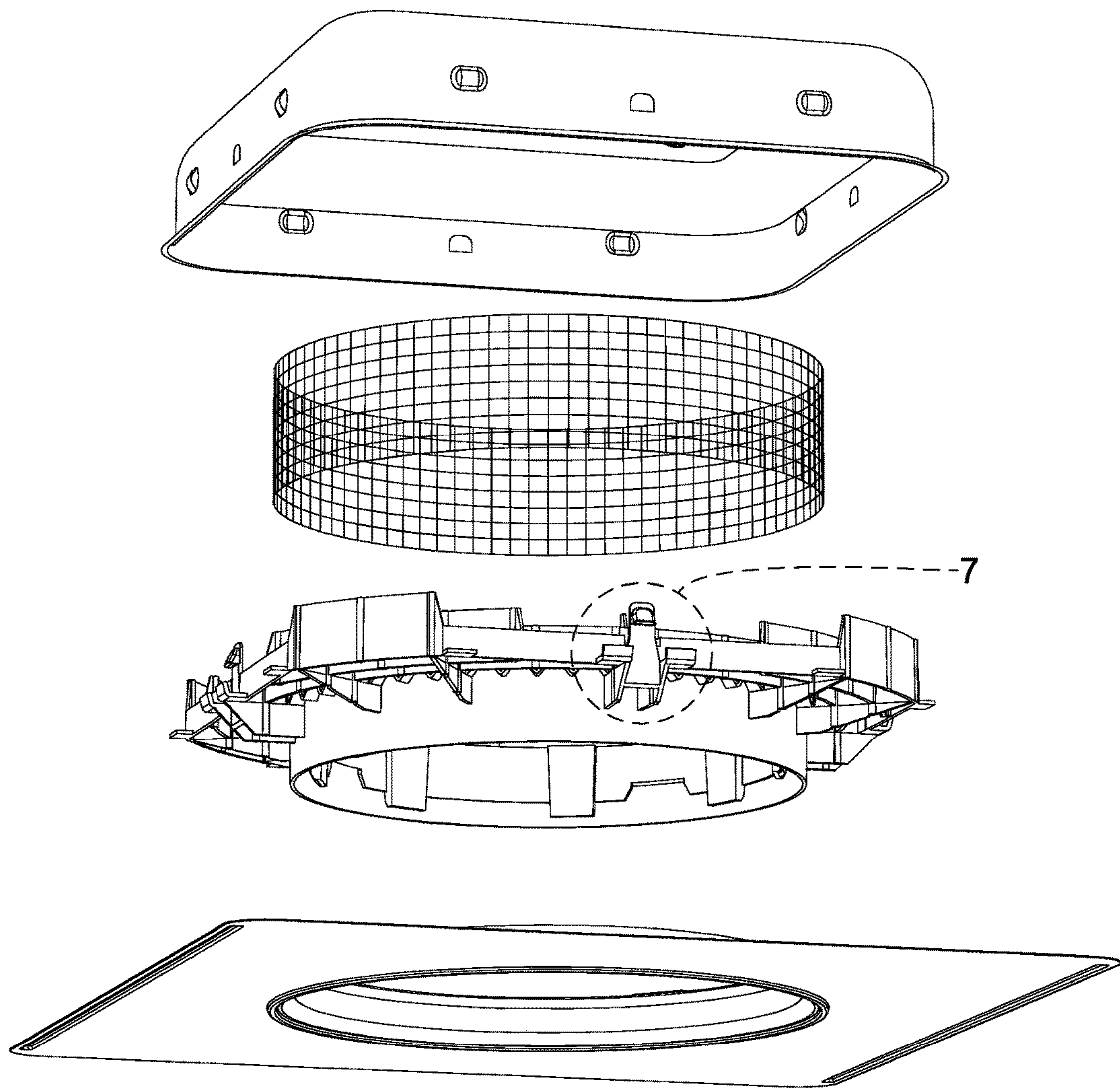


FIG. 4

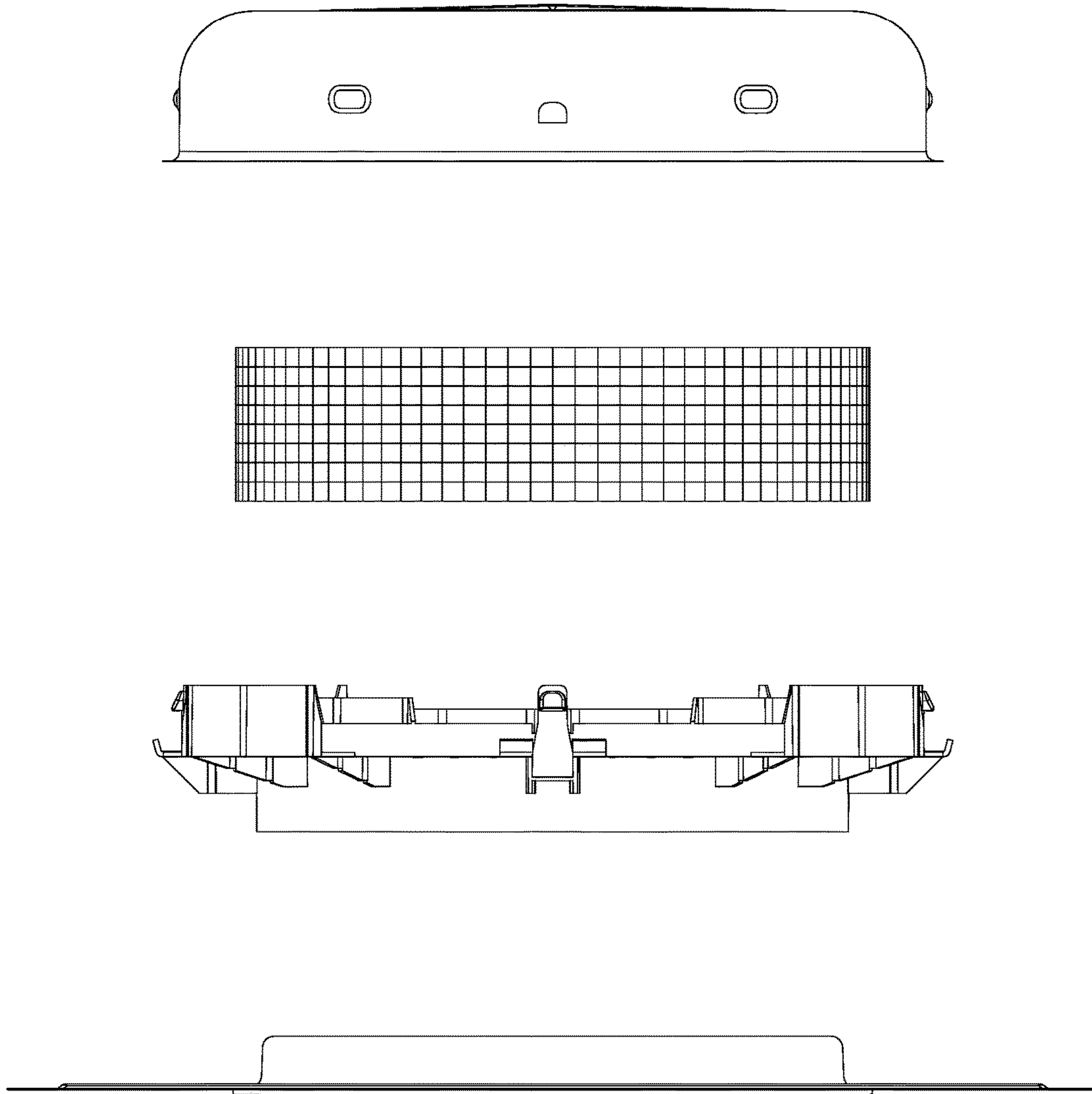


FIG. 5

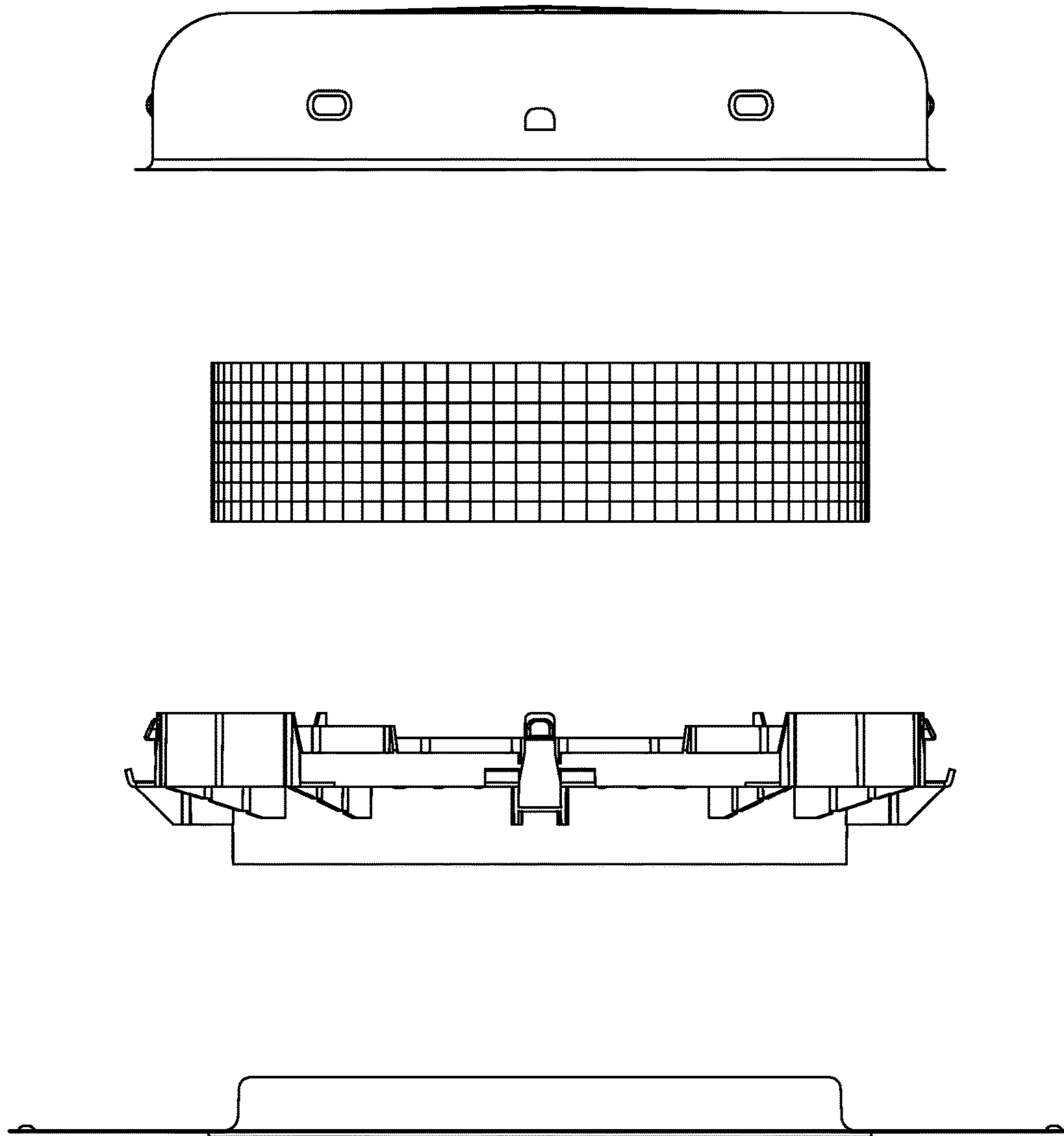


FIG. 6

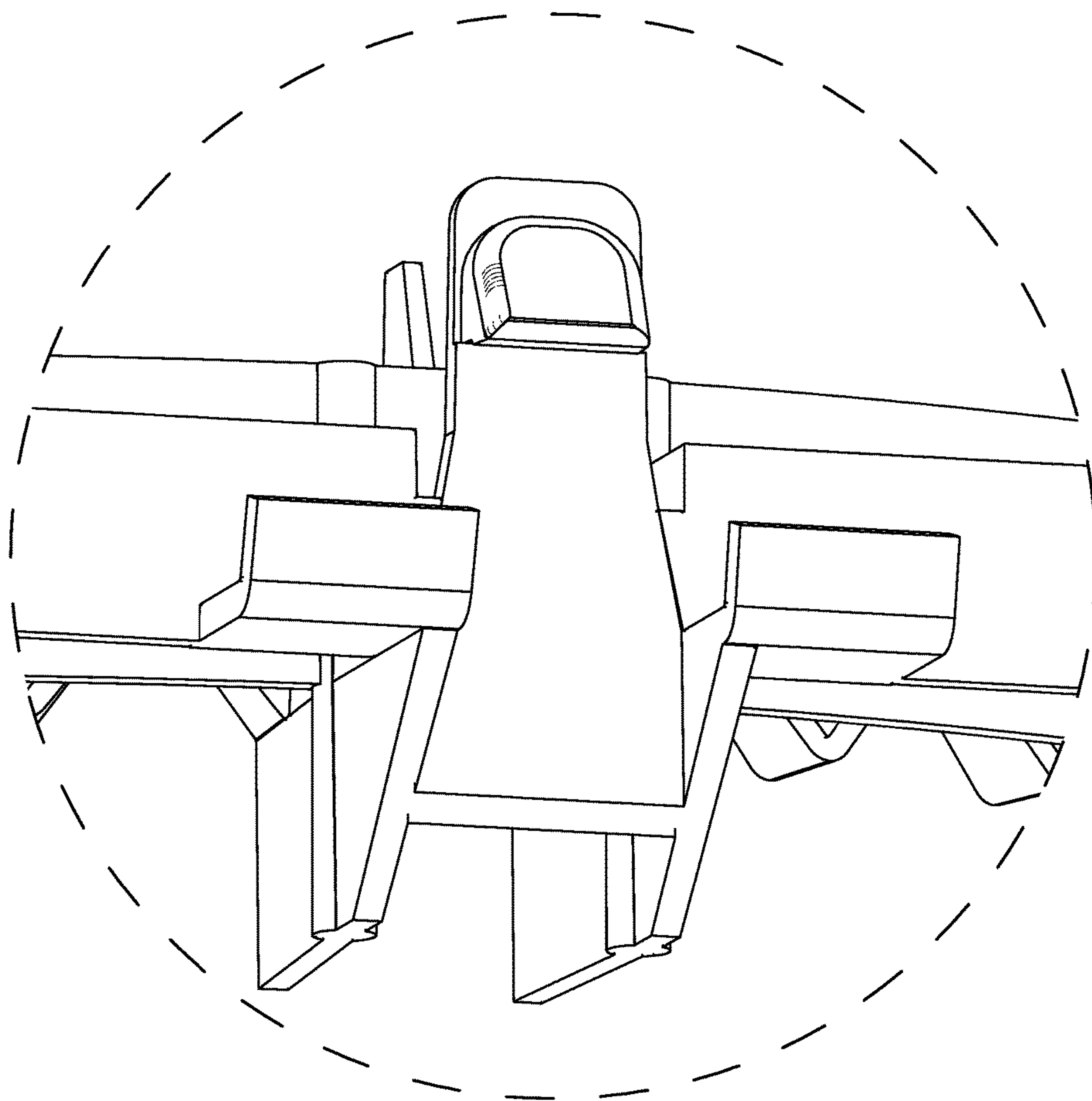


FIG. 7



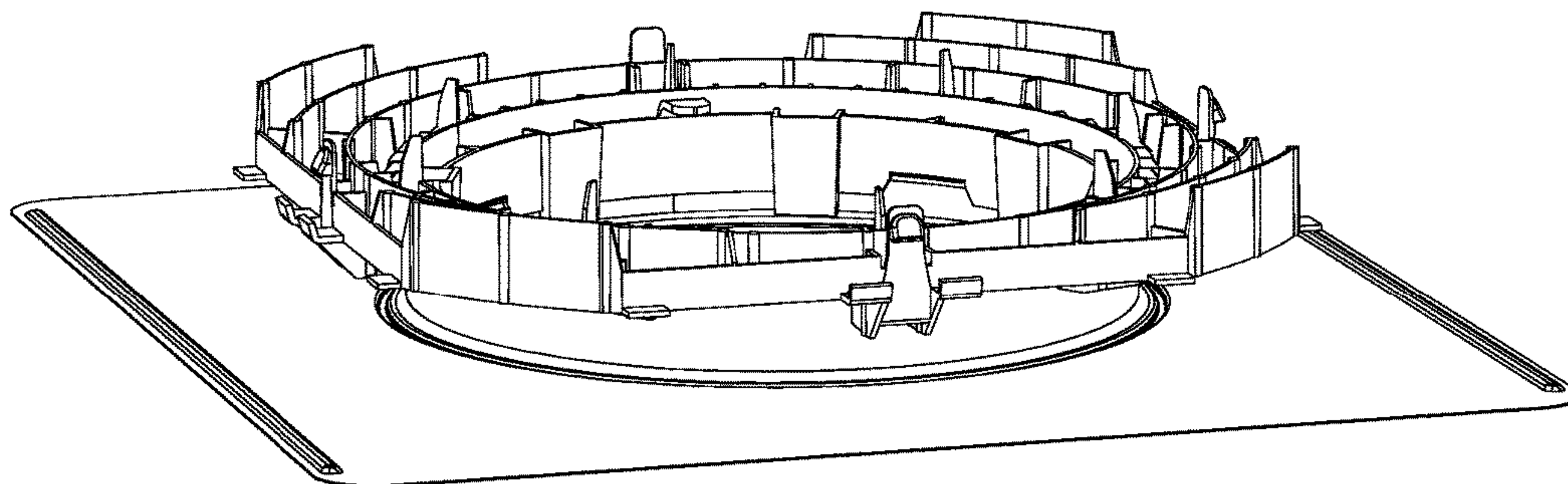


FIG. 8

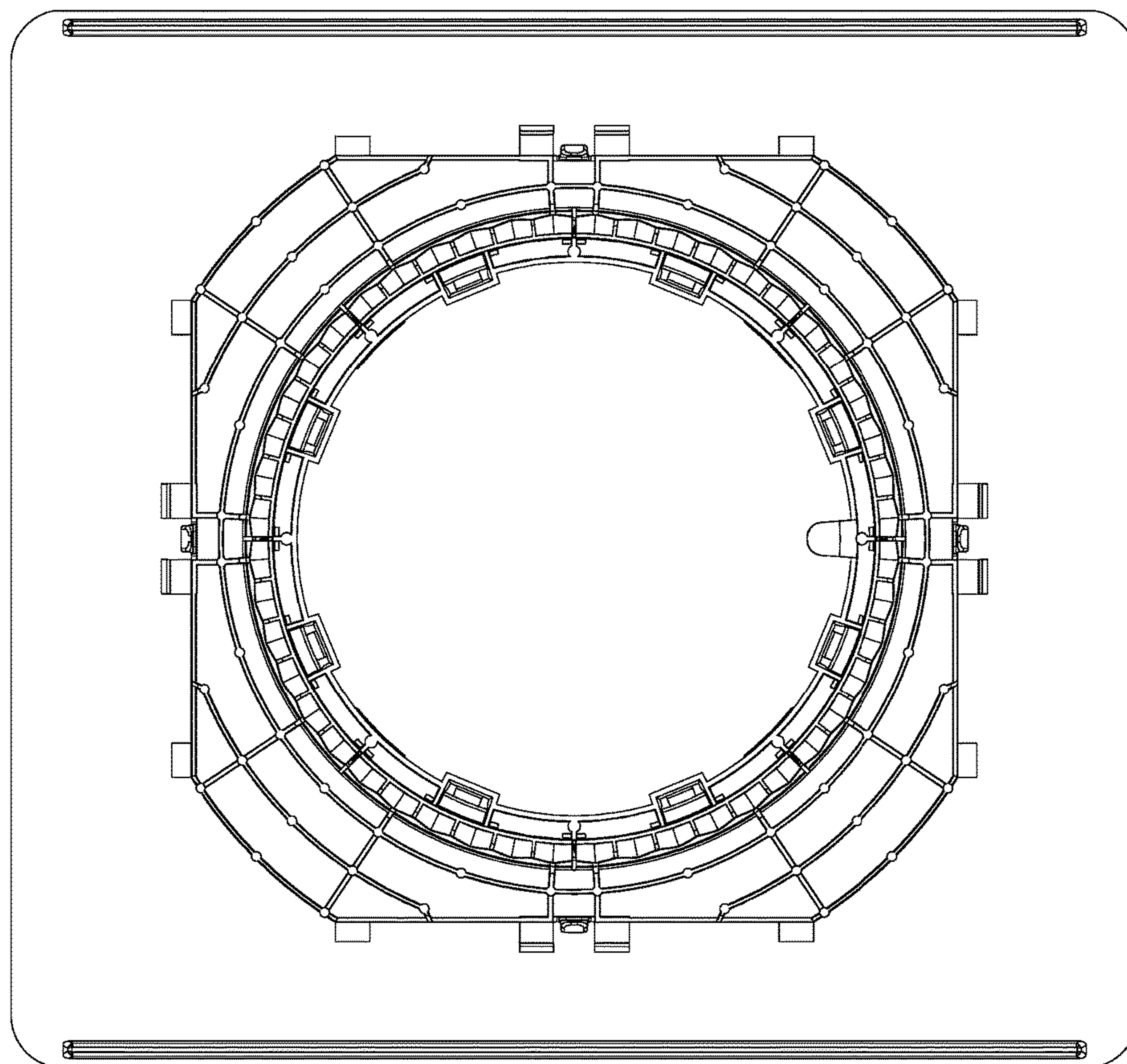


FIG. 9

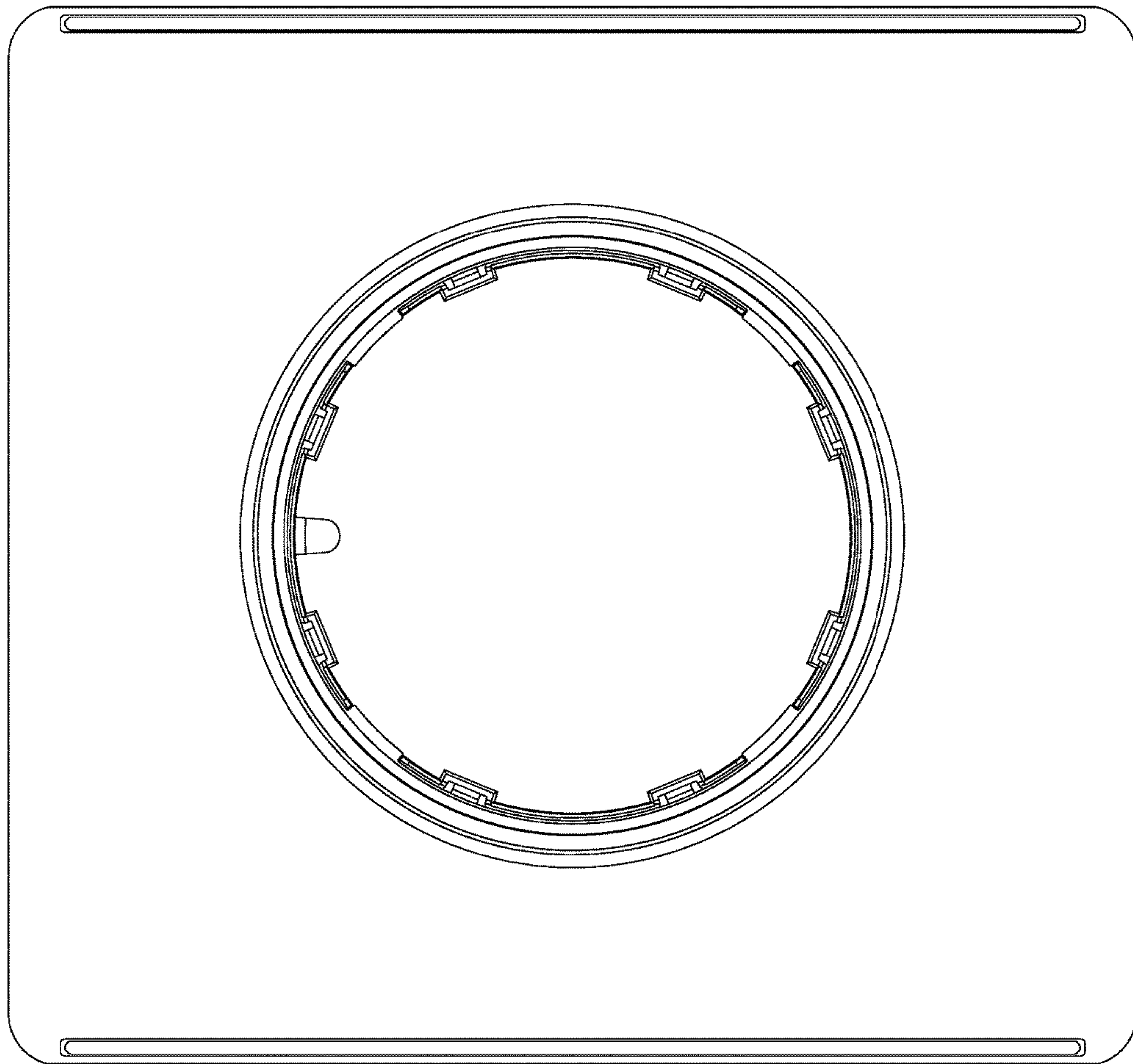


FIG. 10

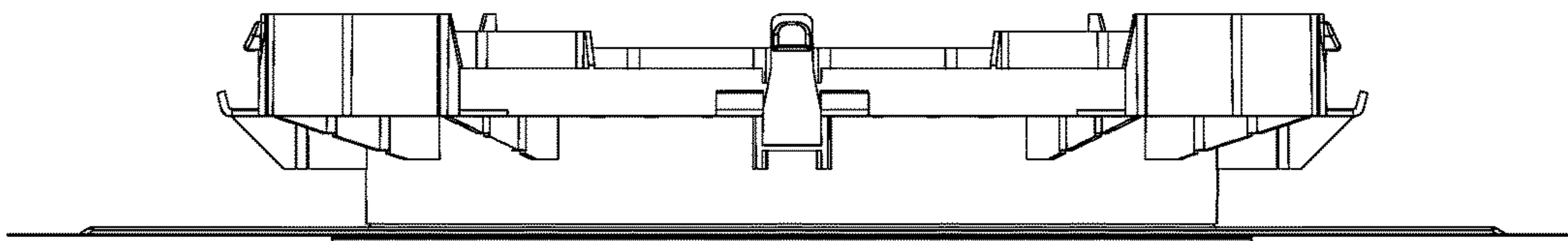


FIG. 11

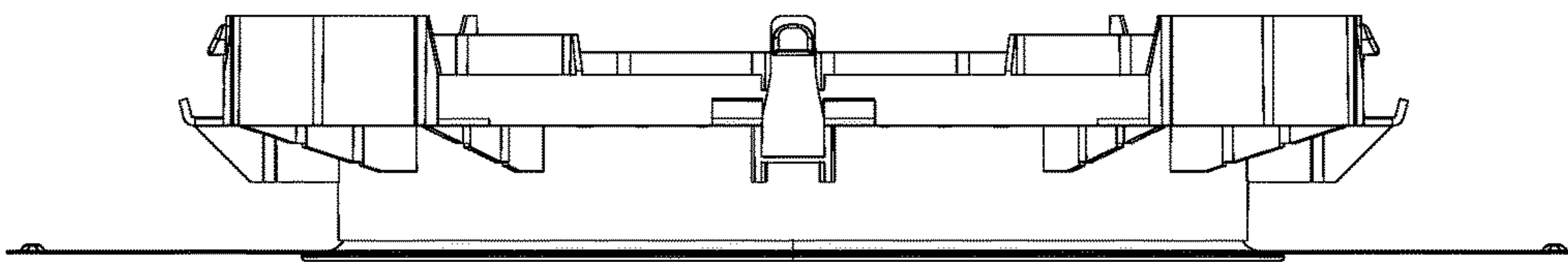


FIG. 12

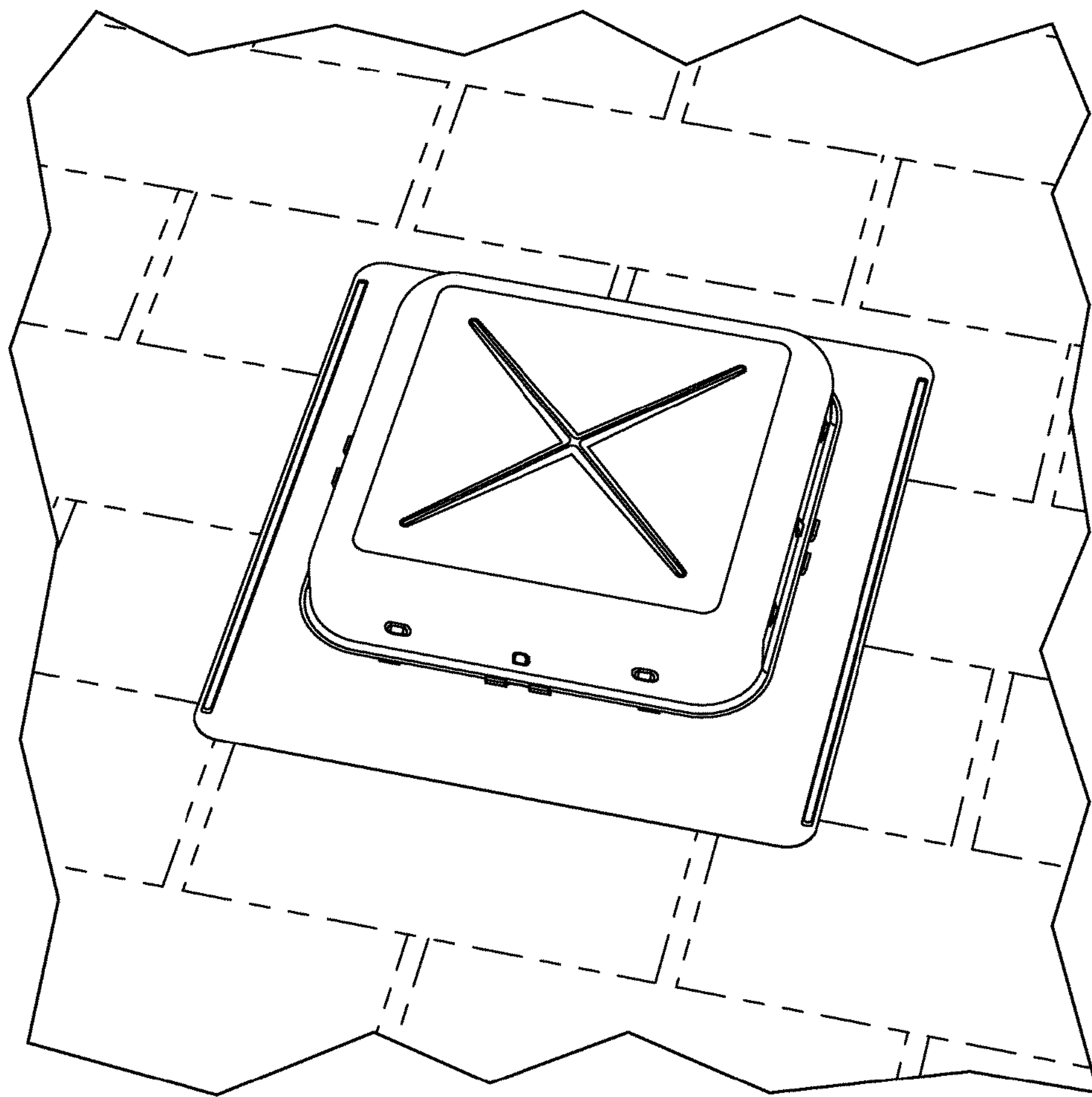


FIG. 13



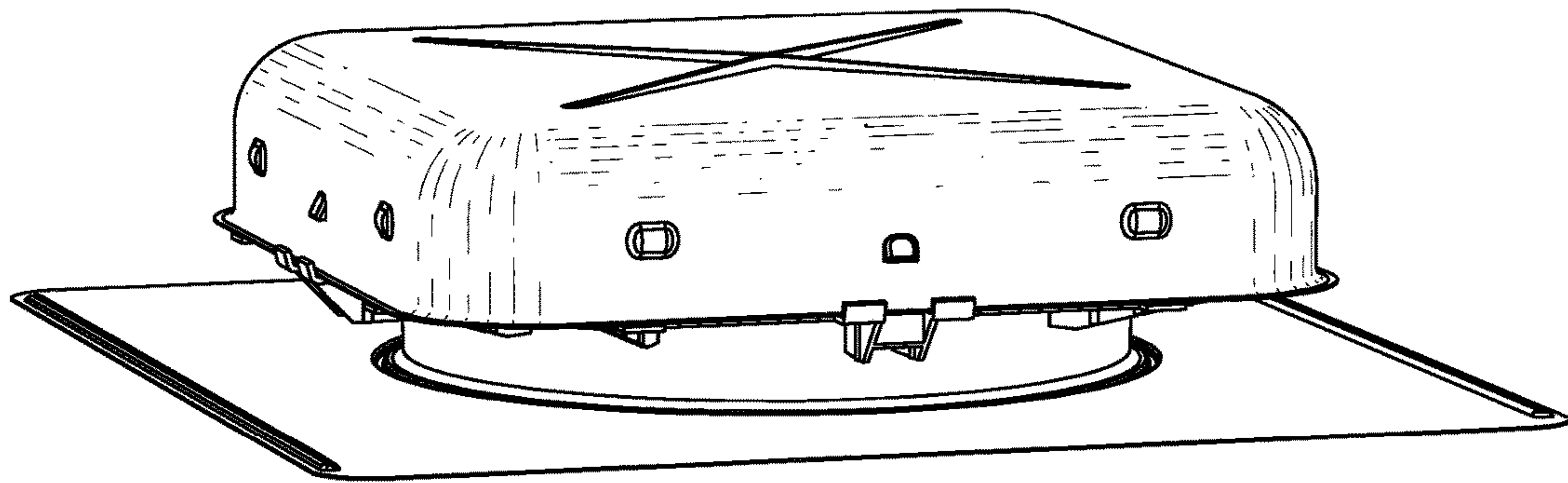


FIG. 14

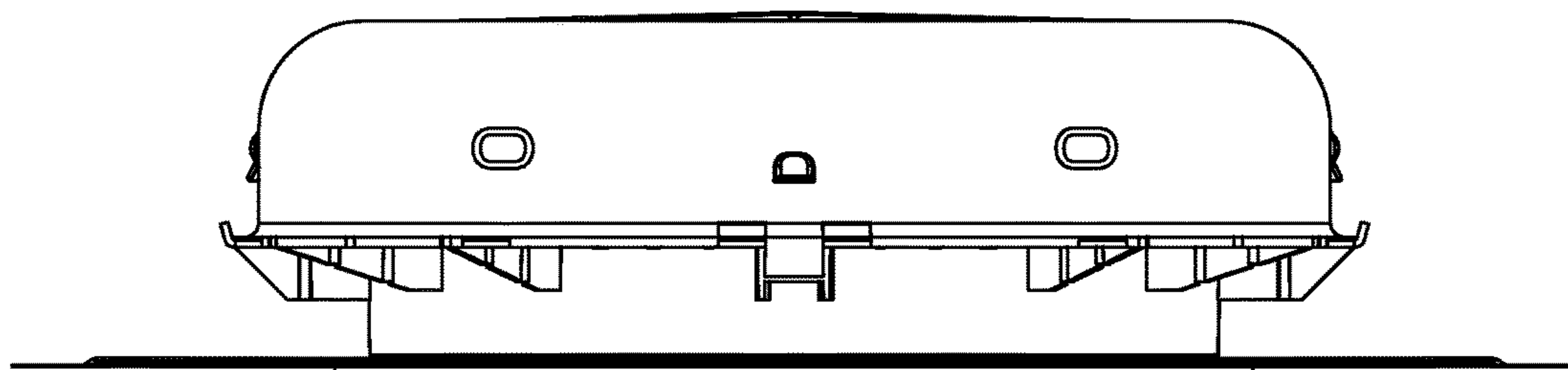


FIG. 15

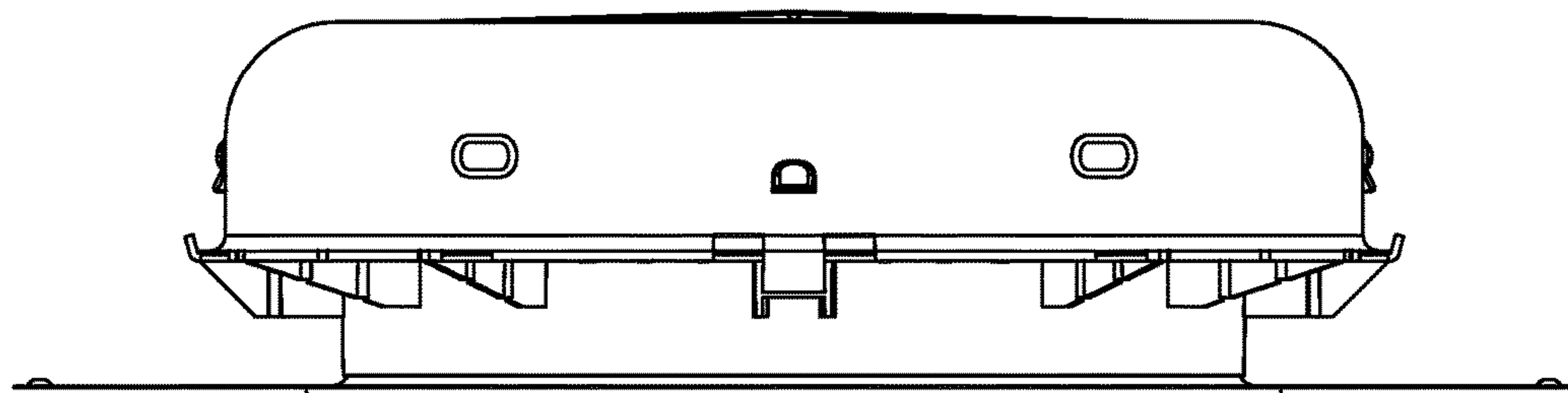


FIG. 16