



US00D804627S

(12) **United States Design Patent** (10) **Patent No.:** **US D804,627 S**
Puffer et al. (45) **Date of Patent:** **** Dec. 5, 2017**

(54) **VENT HOOD**

D109,887 S 5/1938 Fordyce
2,182,690 A 12/1939 Cole
D118,359 S 1/1940 Arenberg
(Continued)

(71) Applicant: **Broan-NuTone LLC**, Hartford, WI (US)

(72) Inventors: **Benjamin Thorpe Puffer**, Hartford, WI (US); **Hyuk-Jae Chang**, Pittsburgh, PA (US)

FOREIGN PATENT DOCUMENTS

BE 648597 9/1994
CA 108550 1/2006
(Continued)

(73) Assignee: **BROAN-NUTONE LLC**, Hartford, WI (US)

OTHER PUBLICATIONS

(**) Term: **15 Years**

“Canadian Application Serial No. 169,274, Office Action mailed Oct. 25, 2016”, 2 pgs.

(21) Appl. No.: **29/527,420**

(Continued)

(22) Filed: **May 19, 2015**

Primary Examiner — Cynthia Underwood

(51) **LOC (10) Cl.** **23-04**

(74) *Attorney, Agent, or Firm* — McDermott Will & Emery LLP

(52) **U.S. Cl.**

USPC **D23/371**

(58) **Field of Classification Search**

USPC D23/370, 355, 314, 414, 371; 415/121.1
CPC F04D 29/329; F04D 29/526; F04D 25/082;
F04D 29/325; F04D 29/703; F04D
29/547

(57) **CLAIM**

The ornamental design for a vent hood, as shown and described.

See application file for complete search history.

DESCRIPTION

(56) **References Cited**

U.S. PATENT DOCUMENTS

1,030,028 A 6/1912 Stampaher et al.
1,395,833 A 11/1921 Kling et al.
1,532,635 A 4/1925 Osbun
1,713,101 A 5/1929 Starrett
1,886,841 A 11/1932 Searles
1,895,642 A 1/1933 Livingston
1,941,450 A 1/1934 Sylvan
2,019,867 A 11/1935 Nelson
2,021,086 A 11/1935 Oskamp
D107,399 S 12/1937 Broadwin
2,108,283 A 2/1938 Drew et al.

FIG. 1 is a top perspective of a first embodiment of the invention.

FIG. 2 is a bottom perspective of a first embodiment of the invention.

FIG. 3 is a top view of a first embodiment of the invention.

FIG. 4 is a front view of a first embodiment of the invention.

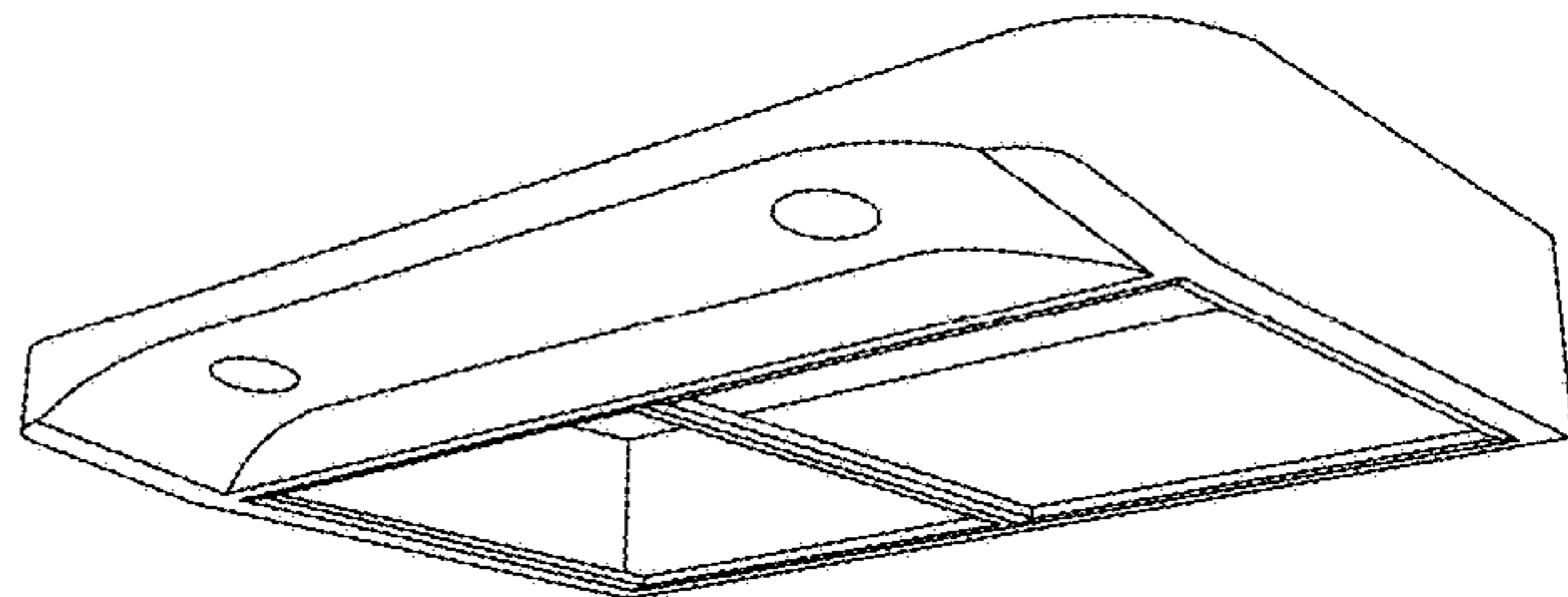
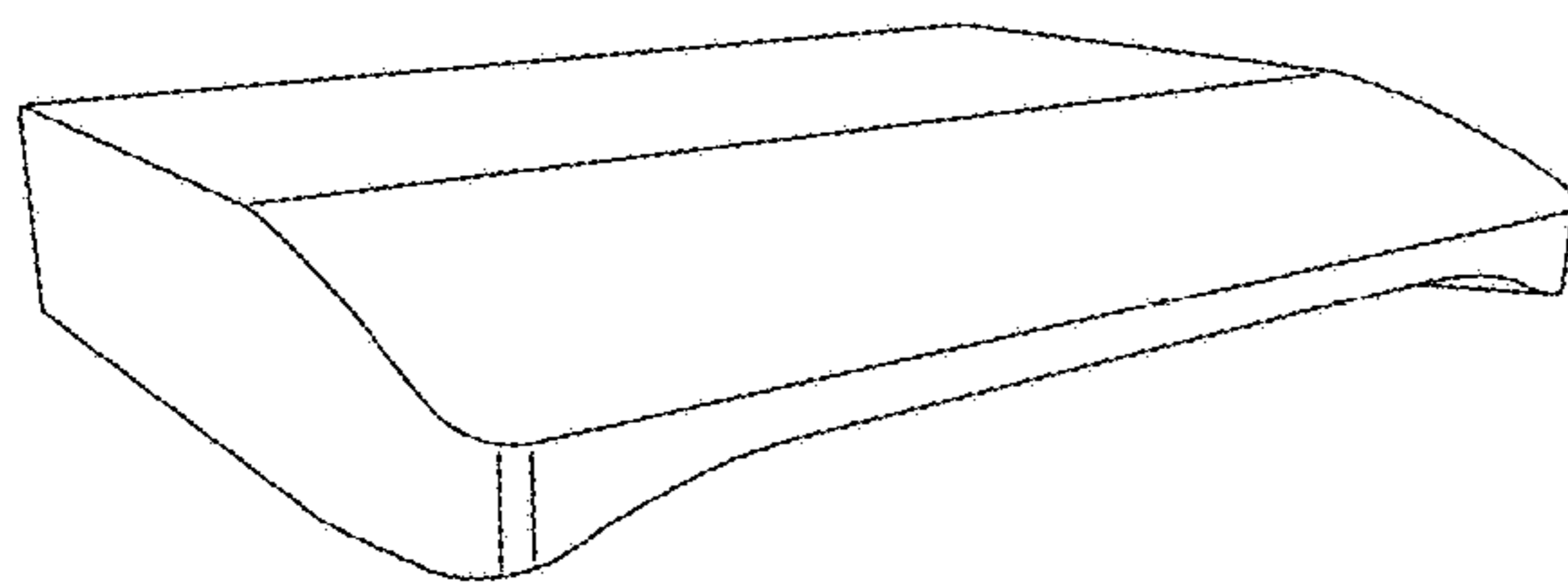
FIG. 5 is a bottom view of a first embodiment of the invention.

FIG. 6 is a back view of a first embodiment of the invention.

FIG. 7 is a left view of a first embodiment of the invention; and,

FIG. 8 is a right view of a first embodiment of the invention.

1 Claim, 8 Drawing Sheets



(56)

References Cited

U.S. PATENT DOCUMENTS

D747,314 S *	1/2016	Sandusky	D23/371
D747,576 S	1/2016	Fjellman	
D751,189 S	3/2016	Suzuki et al.	
D751,247 S	3/2016	Reynolds	
D752,201 S	3/2016	Herbst	
D753,869 S	4/2016	Prijic	
D754,319 S	4/2016	Park et al.	
9,303,859 B2	4/2016	Hornig et al.	
9,303,888 B2	4/2016	Karst et al.	
D755,942 S	5/2016	Kim	
D758,559 S *	6/2016	Sinur	D23/372
D759,800 S	6/2016	Adrian et al.	
D771,231 S	11/2016	Chen et al.	
D778,424 S	2/2017	Jonas et al.	
D778,425 S	2/2017	Jonas et al.	
D779,050 S	2/2017	Jonas et al.	
D784,511 S	4/2017	Jonas et al.	
D784,512 S	4/2017	Jonas et al.	
2003/0220069 A1	11/2003	Orendorff	
2005/0095979 A1	5/2005	Moreno	
2005/0111840 A1	5/2005	Craw et al.	
2007/0167128 A1	7/2007	Popowitz	
2009/0130970 A1	5/2009	Jacak et al.	
2009/0170421 A1	7/2009	Adrian et al.	
2009/0280737 A1	11/2009	Jacak et al.	
2011/0036340 A1 *	2/2011	Chu	F24C 15/20 126/299 D
2012/0087132 A1	4/2012	Zakula et al.	
2013/0038355 A1	4/2013	Ye et al.	
2013/0087133 A1 *	4/2013	Davis	F24C 15/20 126/299 D
2014/0063796 A1	3/2014	Zakula et al.	
2015/0117034 A1	4/2015	Hornig et al.	
2015/0125292 A1	5/2015	Karst et al.	
2015/0140923 A1	5/2015	Penlesky	
2015/0219118 A1	8/2015	Zakula et al.	
2016/0029109 A1	1/2016	Liu et al.	
2016/0069561 A1	3/2016	Jonas et al.	

FOREIGN PATENT DOCUMENTS

CA	108557	1/2006
CA	2636643	12/2012
CA	163015	5/2016
CA	163016	5/2016
CA	163017	5/2016
CA	163018	5/2016
CN	303580220	2/2016
CN	303580221	2/2016
CN	303580222	2/2016
CN	303580223	2/2016
CN	303580224	2/2016
EP	1248048	10/2002
FR	1234767	10/1960

OTHER PUBLICATIONS

“Canadian Application Serial No. 165,307, Office Action mailed Feb. 15, 2016”, W/ English Translation, 2 pgs.
 “Canadian Application Serial No. 165,307, Response filed Jun. 15, 2016 to Office Action mailed Feb. 15, 2016”; 9 pgs.
 “Canadian Application Serial No. 163,015, Response filed Mar. 10, 2016 to Office Action dated Nov. 10, 2015”, 7 pgs.
 “U.S. Appl. No. 29/521,663, Corrected Notice of Allowance dated Mar. 30, 2016”, 4 pgs.
 “U.S. Appl. No. 29/514,061, Non Final Office Action dated May 19, 2016”, 19 pgs.
 “U.S. Appl. No. 29/514,063, Non Final Office Action dated May 19, 2016”, 22 pgs.
 “U.S. Appl. No. 29/514,067, Non Final Office Action dated May 20, 2016”, 21 pgs.

“U.S. Appl. No. 29/514,073, Non Final Office Action dated May 20, 2016”, 21 pgs.
 “U.S. Appl. No. 29/514,070, Non Final Office Action dated May 27, 2016”, 26 pgs.
 “Chinese Application Serial No. 201630055109.5, Office Action dated Jun. 1, 2016”, 1 pg.
 “Canadian Application Serial No. 165,307, Response filed Jun. 15, 2016 to Office Action dated Feb. 15, 2016”, 9 pgs.
 “Canadian Application Serial No. 165,355, Response filed Jun. 15, 2016 to Office Action dated Feb. 15, 2016”, 6 pgs.
 “Canadian Application Serial No. 165,366, Response filed Jun. 15, 2016 to Office Action dated Feb. 15, 2016”, 18 pgs.
 “Canadian Application Serial No. 167,117, Office Action dated Jul. 14, 2016”, 3 pgs.
 “U.S. Appl. No. 29/514,061, Response filed Aug. 17, 2016 to Non Final Office Action dated May 19, 2016”, 6 pgs.
 “U.S. Appl. No. 29/514,063, Response filed Aug. 17, 2016 to Non Final Office Action dated May 19, 2016”, 8 pgs.
 “U.S. Appl. No. 29/514,067, Response filed Aug. 22, 2016 to Non Final Office Action dated May 20, 2016”, 6 pgs.
 “U.S. Appl. No. 29/514,073, Response filed Aug. 22, 2016 to Non Final Office Action mailed May 20, 2016”, 6 pgs.
 “U.S. Appl. No. 29/514,970, Response filed Aug. 29, 2016 to Non Final Office Action dated May 27, 2016”, 6 pgs.
 “U.S. Appl. No. 29/538,019, Restriction Requirement dated Sep. 1, 2016”, 7 pgs.
 “Chinese Application Serial No. 201630055109.5, Response filed Sep. 18, 2016 to Office Action dated Jun. 1, 2016”, 5 pgs.
 “U.S. Appl. No. 29/514,061, Final Office Action dated Sep. 19, 2016”, 9 pgs.
 “U.S. Appl. No. 29/514,073, Notice of Allowance dated Sep. 19, 2016”, 8 pgs.
 “U.S. Appl. No. 29/514,067, Notice of Allowance dated Sep. 20, 2016”, 9 pgs.
 “U.S. Appl. No. 29/514,070, Notice of Allowance dated Sep. 21, 2016”, 6 pgs.
 “Canadian Application Serial No. 165,355, Response filed Sep. 22, 2016 to Office Action dated Jun. 28, 2016”, 2 pgs.
 “U.S. Appl. No. 29/514,070, Corrected Notice of Allowance dated Oct. 5, 2016”, 2 pgs.
 “U.S. Appl. No. 29/514,073, Corrected Notice of Allowance dated Oct. 5, 2016”, 2 pgs.
 “U.S. Appl. No. 29/538,019, Examiner interview Summary dated Oct. 11, 2016”, 7 pgs.
 “U.S. Appl. No. 29/514,063, Response Filed Oct. 24, 2016 to Non-Final Office Action dated May 19, 2016”, 8 pgs.
 “Canadian Application Serial No. 169,274, Office Action dated Oct. 25, 2016”, 2 pgs.
 “Canadian Application Serial No. 169,275, Office Action dated Oct. 25, 2016”, 2 pgs.
 “U.S. Appl. No. 29/538,019, Response filed Nov. 1, 2016 to Restriction Requirement dated Sep. 1, 2016”, 4 pgs.
 “Canadian Application Serial No. 167,117, Response filed Nov. 3, 2016 to Office Action dated Jul. 14, 2016”, 10 pgs.
 “U.S. Appl. No. 29/514,061, Response Filed Nov. 21, 2016 Final Office Action dated Sep. 19, 2016”, 16 pgs.
 “U.S. Appl. No. 29/538,019, Notice of Allowance dated Nov. 23, 2016”, 9 pgs.
 “U.S. Appl. No. 29/539,396, Notice of Allowance dated Feb. 27, 2017”, 9 pgs.
 “U.S. Appl. No. 29/539,401, Notice of Allowance dated Feb. 27, 2017”, 8 pgs.
 “U.S. Appl. No. 29/539,391, Notice of Allowance dated Mar. 1, 2017”, 8 pgs.
 “U.S. Appl. No. 29/539,405, Notice of Allowance dated Mar. 1, 2017”, 9 pgs.
 “U.S. Appl. No. 29/539,409, Notice of Allowance dated Mar. 2, 2017”, 8 pgs.
 “U.S. Appl. No. 29/539,392, Notice of Allowance dated Mar. 3, 2017”, 8 pgs.
 “U.S. Appl. No. 29/539,415, Notice of Allowance dated Mar. 9, 2017”, 8 pgs.

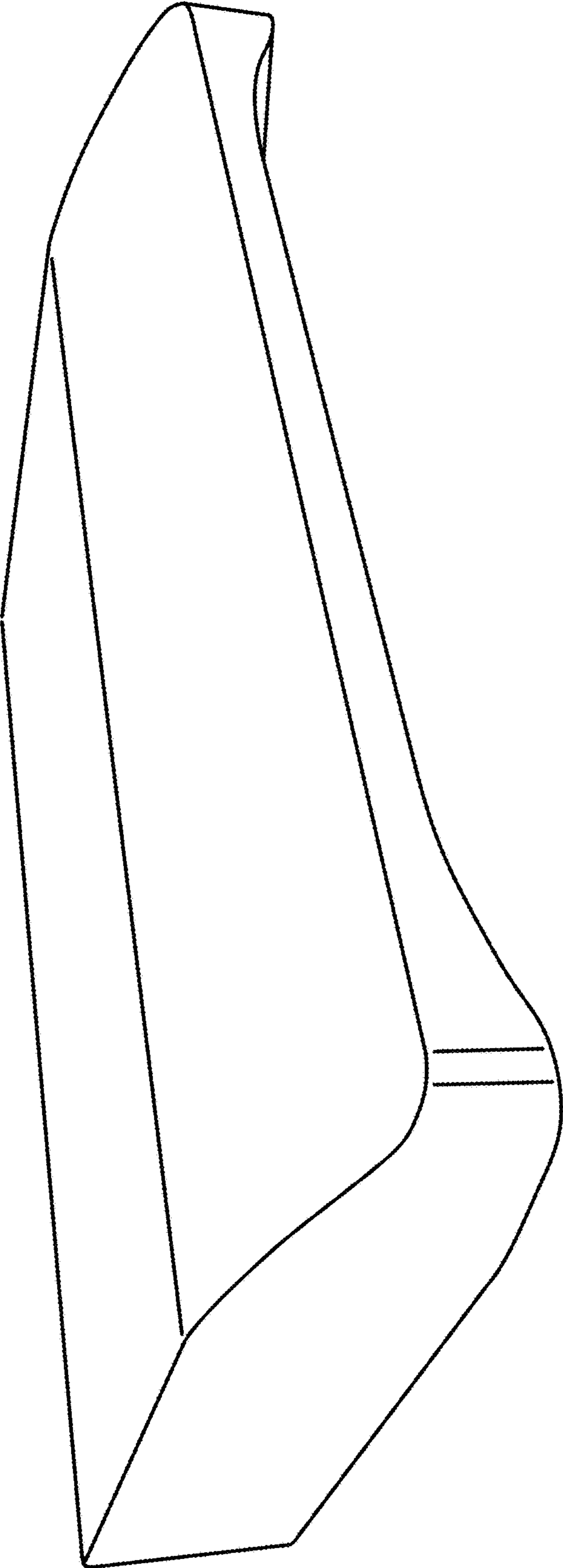


Figure 1

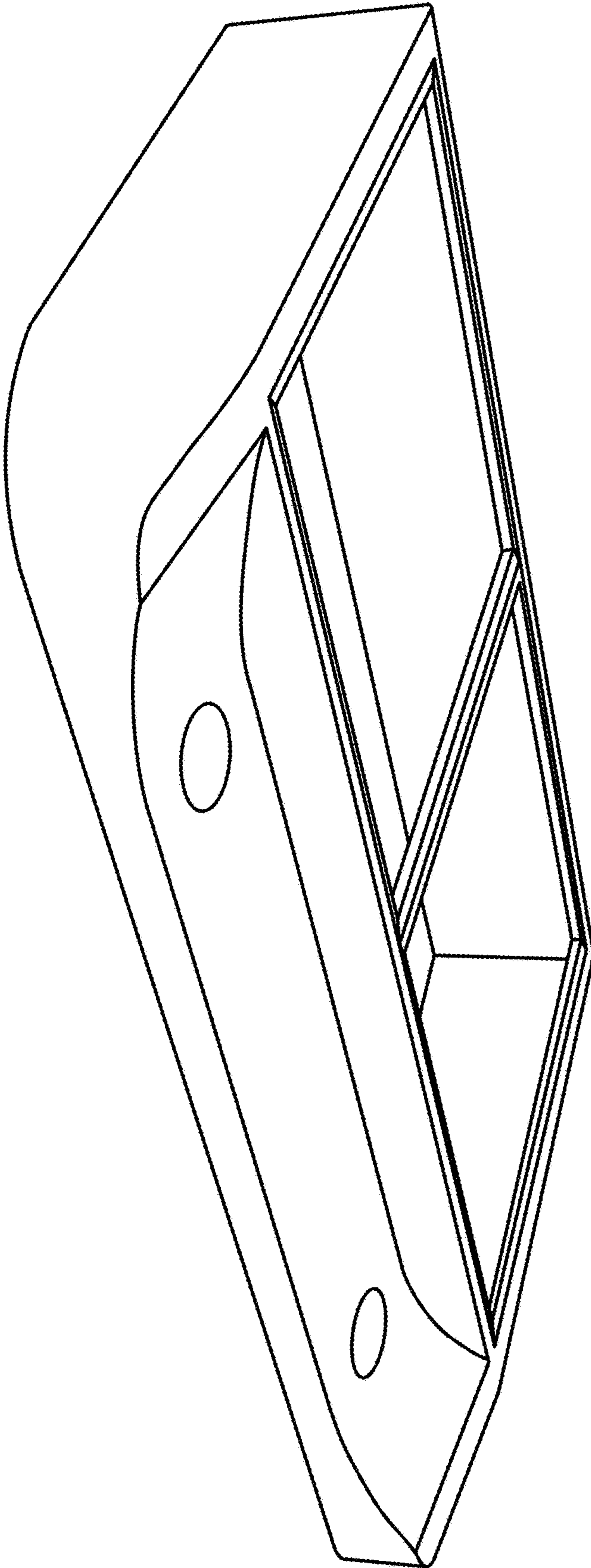


Figure 2

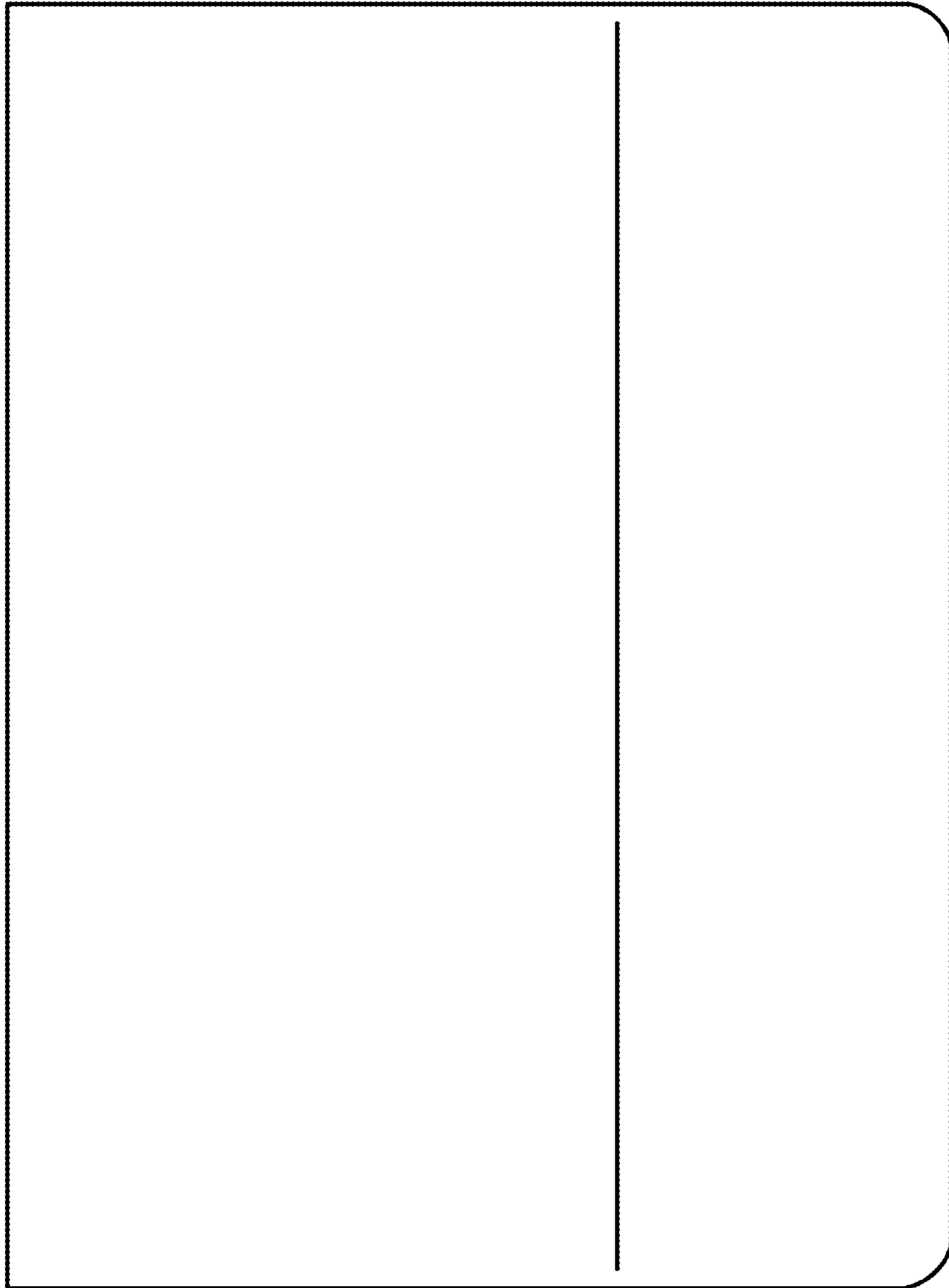


Figure 3

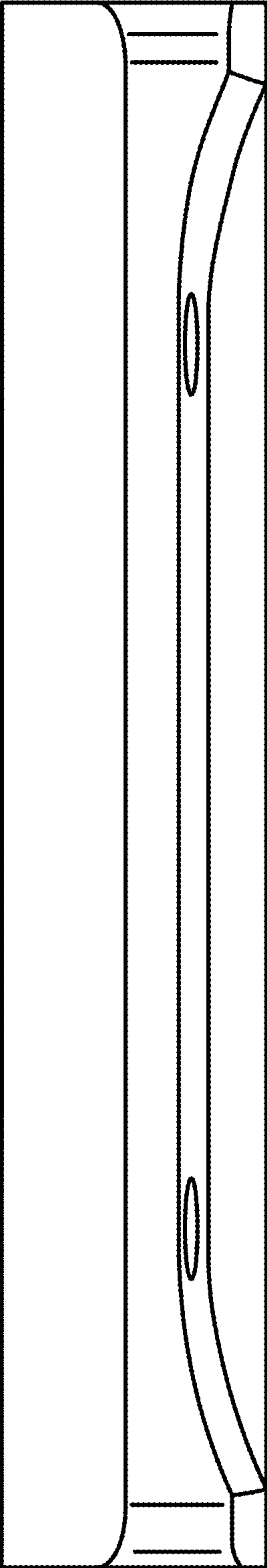


Figure 4

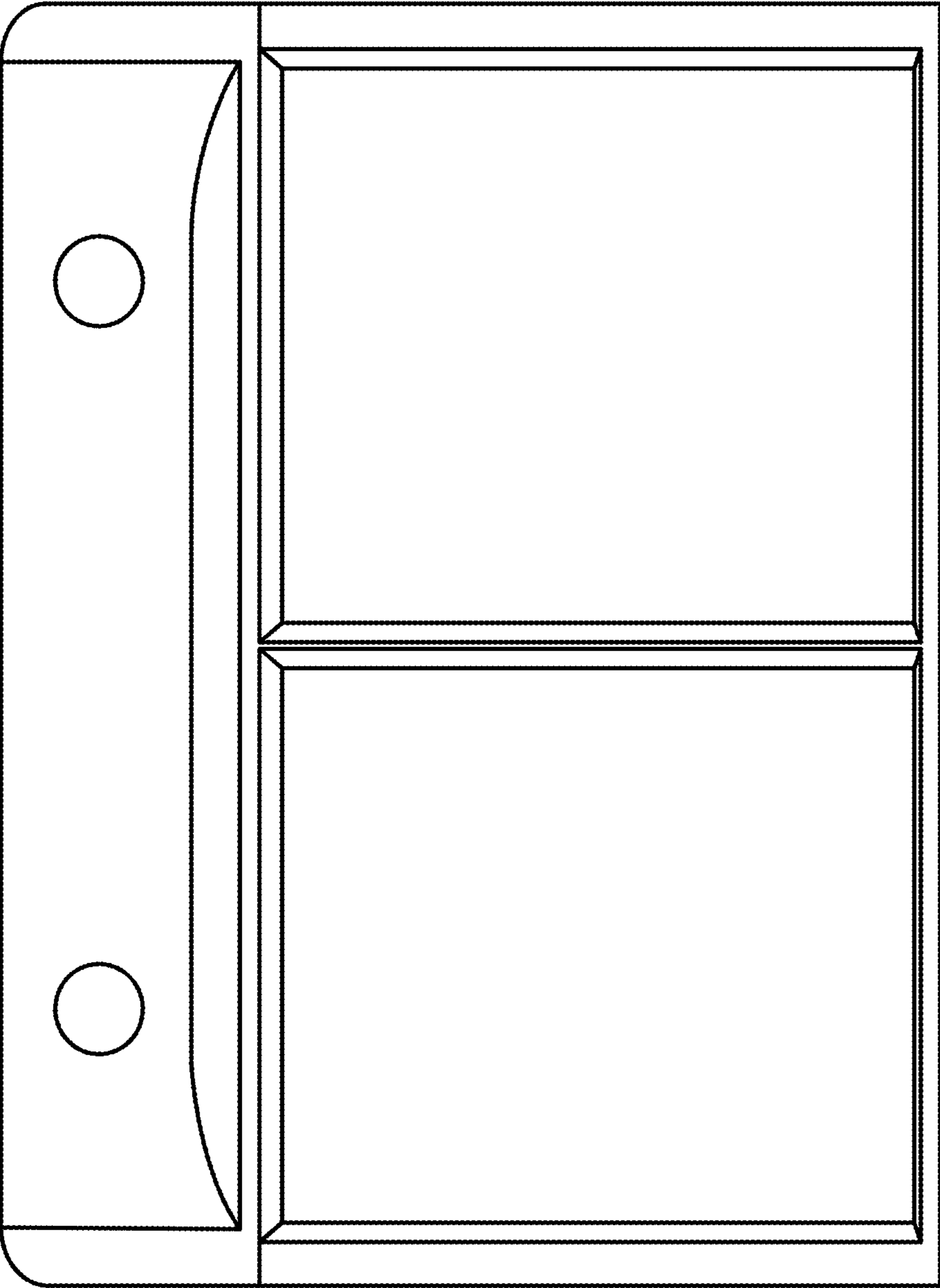


Figure 5

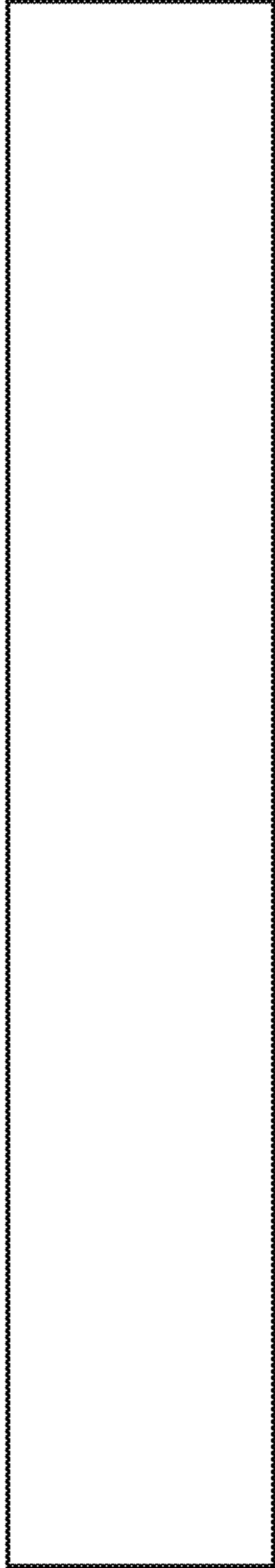


Figure 6

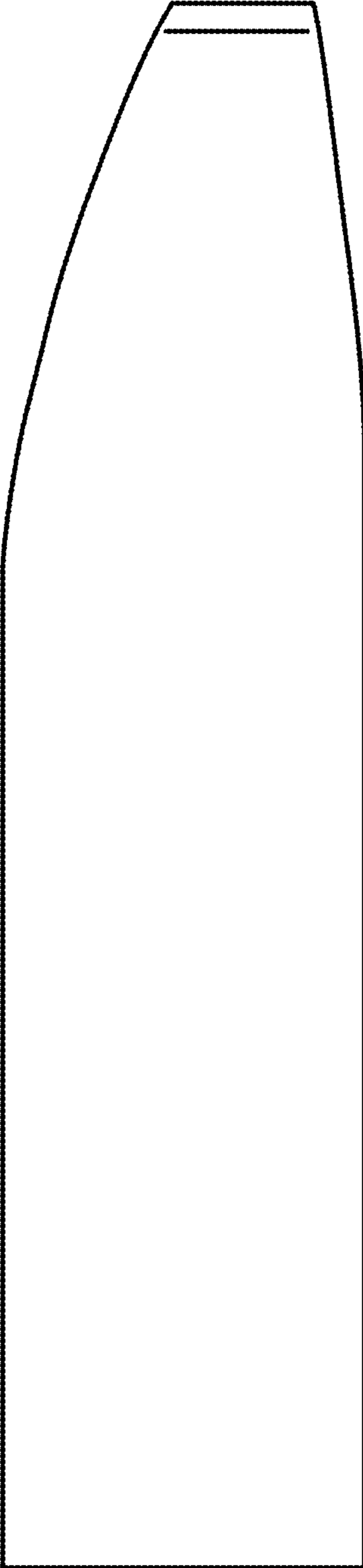


Figure 7

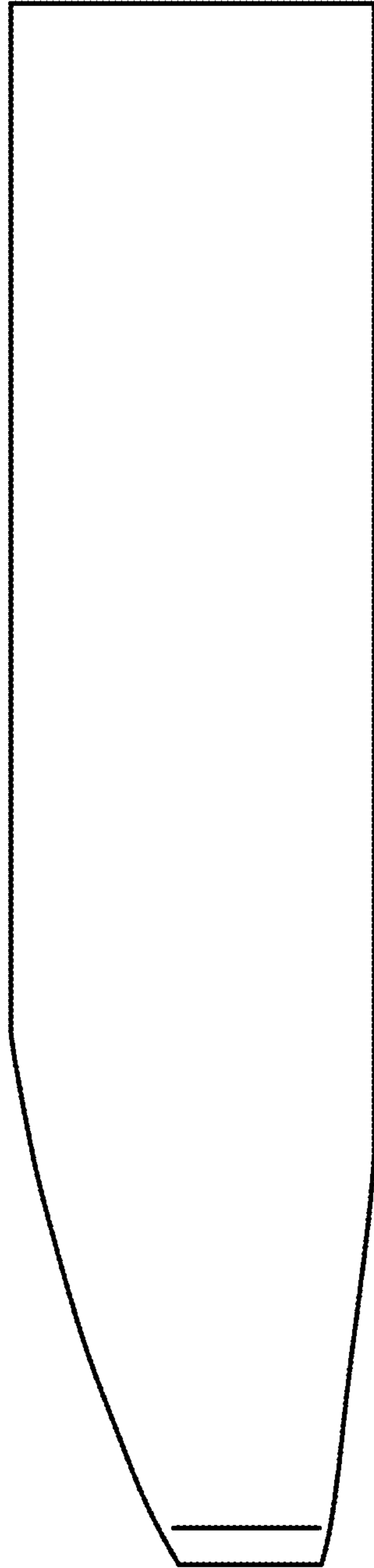


Figure 8