



US00D804626S

(12) **United States Design Patent** (10) **Patent No.:** **US D804,626 S**
Sevy (45) **Date of Patent:** **** Dec. 5, 2017**

(54) **DROP-IN, MODULAR DIFFUSER**

(71) Applicant: **Earl Vaughn Sevy**, Cedar City, UT (US)
(72) Inventor: **Earl Vaughn Sevy**, Cedar City, UT (US)

(**) Term: **15 Years**

(21) Appl. No.: **29/548,652**

(22) Filed: **Dec. 15, 2015**

(51) **LOC (10) Cl.** **23-04**

(52) **U.S. Cl.**
USPC **D23/366**

(58) **Field of Classification Search**

USPC D23/356-369, 209, 213, 316, 386, 388, D23/354, 341; D9/432, 435, 553, 561, D9/769, 770; D32/31; 261/DIG. 17, 261/DIG. 42, DIG. 65, DIG. 88, DIG. 89; D24/162
CPC A61L 9/00; A61L 9/02; A61L 9/03; A61L 9/032; A61L 9/035; A61L 9/037; A61L 9/04; A61L 9/12; A61L 9/122; A61L 9/125; A61L 9/127; A61L 9/14; B05B 7/06; B05B 7/30; B05B 7/32; B05B 1/28; B05B 17/04; E21B 43/00; E21B 43/34; E21B 43/38; A01K 63/04; A01K 63/047; A61M 11/00

See application file for complete search history.

(56) **References Cited**

U.S. PATENT DOCUMENTS

2,826,454 A 3/1958 Coanda
3,515,966 A 6/1970 P.A.M De Valroger et al.
3,641,757 A 2/1972 Rehn
4,235,611 A 11/1980 Brownell
4,243,396 A 1/1981 Cronenberg

(Continued)

FOREIGN PATENT DOCUMENTS

CA 2519809 A1 * 10/2004 A61L 9/042
JP 2001046920 9/2002

OTHER PUBLICATIONS

Tetra Whisper Aquarium Air Pump 300, Aquarium Guys, Oct. 8, 2008 p. 1, <http://www.aquariumguys.com/tetraairpump4.html>.

(Continued)

Primary Examiner — Sheryl Lane

Assistant Examiner — Samantha N Wood

(74) *Attorney, Agent, or Firm* — Pate Baird, PLLC

(57) **CLAIM**

The ornamental design for a drop-in, modular diffuser, as shown and described.

DESCRIPTION

FIG. 1 is a frontal perspective view of the drop-in, modular diffuser in accordance with the design, shown without any outer housing;

FIG. 2 is a rear perspective view thereof;

FIG. 3 is a front elevation view thereof;

FIG. 4 is a rear elevation view thereof;

FIG. 5 is a left side elevation view thereof;

FIG. 6 is a right side elevation view thereof;

FIG. 7 is a top plan view thereof;

FIG. 8 is a bottom plan view thereof;

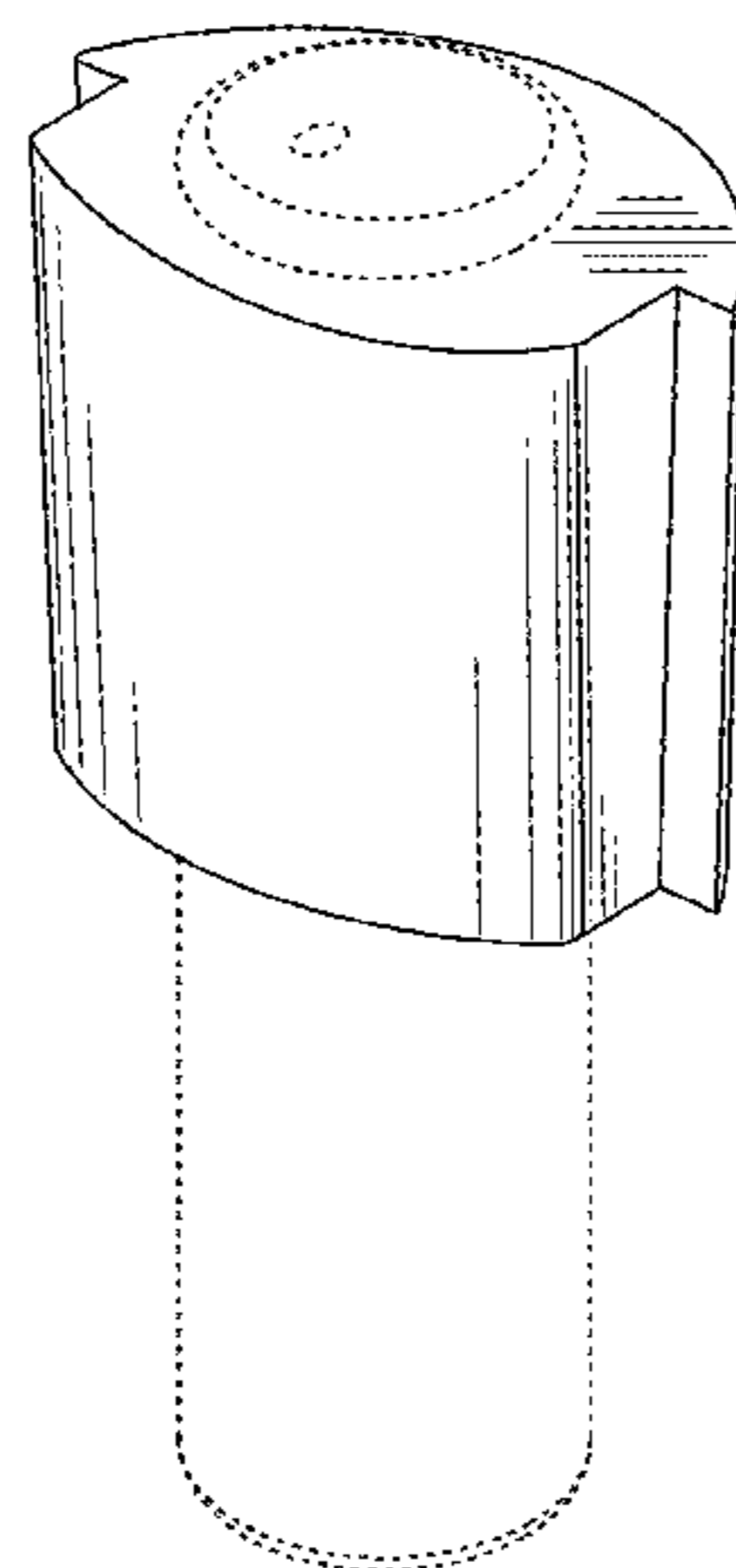
FIG. 9 is a frontal perspective view of the article shown with a rectangular, alternative embodiment of a housing environment into which it may be placed;

FIG. 10 is a frontal perspective view of the article shown with a circular, alternative embodiment of a housing environment into which it may be placed; and,

FIG. 11 is a frontal perspective view of the article shown with a triangular, alternative embodiment of a housing environment into which it may be placed.

The broken lines showing portions of the drop-in, modular diffuser are included for the purpose of illustrating the environmental structure and form no part of the claimed design.

1 Claim, 6 Drawing Sheets



(56)

References Cited

U.S. PATENT DOCUMENTS

D285,606	S *	9/1986	Christopherson	D23/209
5,137,432	A	8/1992	Tsai	
5,201,641	A	4/1993	Richer	
5,248,448	A	9/1993	Waldron et al.	
5,549,247	A	8/1996	Rossman et al.	
5,687,710	A	11/1997	Ambrosio et al.	
5,875,774	A	3/1999	Clementi et al.	
5,922,247	A	7/1999	Shoham et al.	
D435,084	S *	12/2000	Northen	D23/209
6,168,392	B1	1/2001	Takano	
6,217,281	B1	4/2001	Jeng et al.	
6,364,637	B1	4/2002	Hase et al.	
6,669,176	B2	12/2003	Rock	
D491,258	S	6/2004	Sevy	
D491,259	S	6/2004	Garrison et al.	
D492,020	S	6/2004	Sevy	
D509,893	S	9/2005	Sevy	
6,968,069	B1	11/2005	Zhao	
D520,129	S	5/2006	Sevy	
D526,710	S	8/2006	Sevy	
7,407,118	B2	8/2008	Sevy	
D606,643	S *	12/2009	Butler	D23/366
7,712,683	B2	5/2010	Robert et al.	
D633,595	S *	3/2011	Reid	D23/209
D636,878	S *	4/2011	Lee	D24/162
7,930,068	B2	4/2011	Robert et al.	
D645,538	S *	9/2011	Reid	D23/209
D647,595	S *	10/2011	Reid	D23/209
D692,530	S *	10/2013	Gehrung	D23/225
2008/0283049	A1	11/2008	Mahoney et al.	
2014/0224897	A1 *	8/2014	Garagnon	A61L 2/00 239/43

OTHER PUBLICATIONS

Optima Air Pump A807, Aquarium Guys, Oct. 8, 2008, p. 1, <http://www.aquariumguys.com/optimaairpump.html>.

Silent Air X-4 Air Pump, Aquarium Guys, Oct. 8, 2008, p. 1, <http://www.aquariumguys.com/silentairpump4.html>.

Whisper 60 Aquarium Air Pump, Aquarium Guys, Oct. 8, 2008, p. 1, <http://www.aquariumguys.com/tetra-whisper60-air-pump.html>.

Rena Air 400 Air Pump 702E, Aquarium Guys, Oct. 8, 2008, p. 1, <http://www.aquariumguys.com/renaairpump4.html>.

Tom Stellar Air Pumps S-30, Fish Tanks Direct, Oct. 8, 2008, p. 1, <http://www.fishtanksdirect.com/index.asp?PageAction=VIEWPROD&ProdID=2102>.

Aroma-Globe™ A Essential Oil Diffuser/Nebulizer Diffuser World, Oct. 8, 2008, p. 1 <http://www.diffuserworld.com/aromaglobATM-essential-oil-diffusernebulizer-p-10.html>.

Nebulizing Diffuser, Betterherbs, Oct. 8, 2008, <http://betterherbs.serrahost.com/Detail.bok?no=397>.

Auroma Nebulizer for the House, Shop.com, Oct. 8, 2008, p. 1 http://www.shop.com/Auroma_Nebulizer_for_the_House_diffuser-46805905-p!.shtml.

Aura Cacia Electric Diffuser House Model, Shop.com, Oct. 8, 2008, p. 1, http://www.shop.com/Aura_Cacia_Electric_Diffuser_House_Model_diffuser-46805768-p!.shtml.

Essential Air Room Diffusers, Leyden House, Oct. 8, 2008, p. 1 <http://www.leydenhouse.com/diffusers.html>.

<http://www.air-roma.com/diffusers>, Mar. 21, 2013.

http://www.prolitec.com/appliances_commercial.htm, Mar. 21, 2013.

<http://scentair.com/why-scentair-solutions/>, Mar. 21, 2013.

<http://www.brandaroma.com/products/>, Mar. 21, 2013.

<http://www.e2aroma.com/appliances/smart-air-maxi/>, Mar. 21, 2013.

<http://www.scentaustralia.com.au/index.php/products/scent-diffuser-zephyr>, Mar. 21, 2013.

<http://www.voitair.com/scent-systems>, Mar. 21, 2013.

<http://www.fragrancemachine.com/>, Mar. 21, 2013.

* cited by examiner

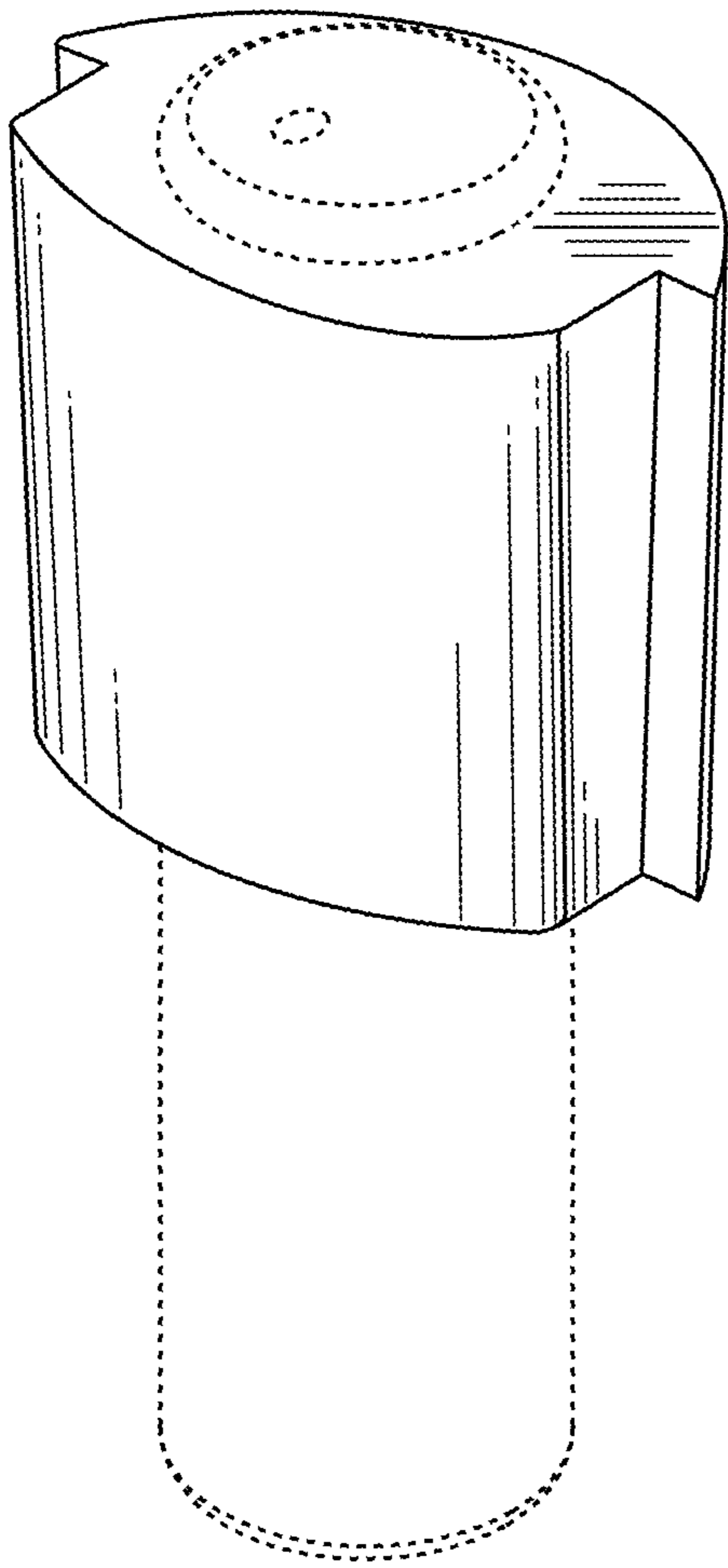


FIG. 1

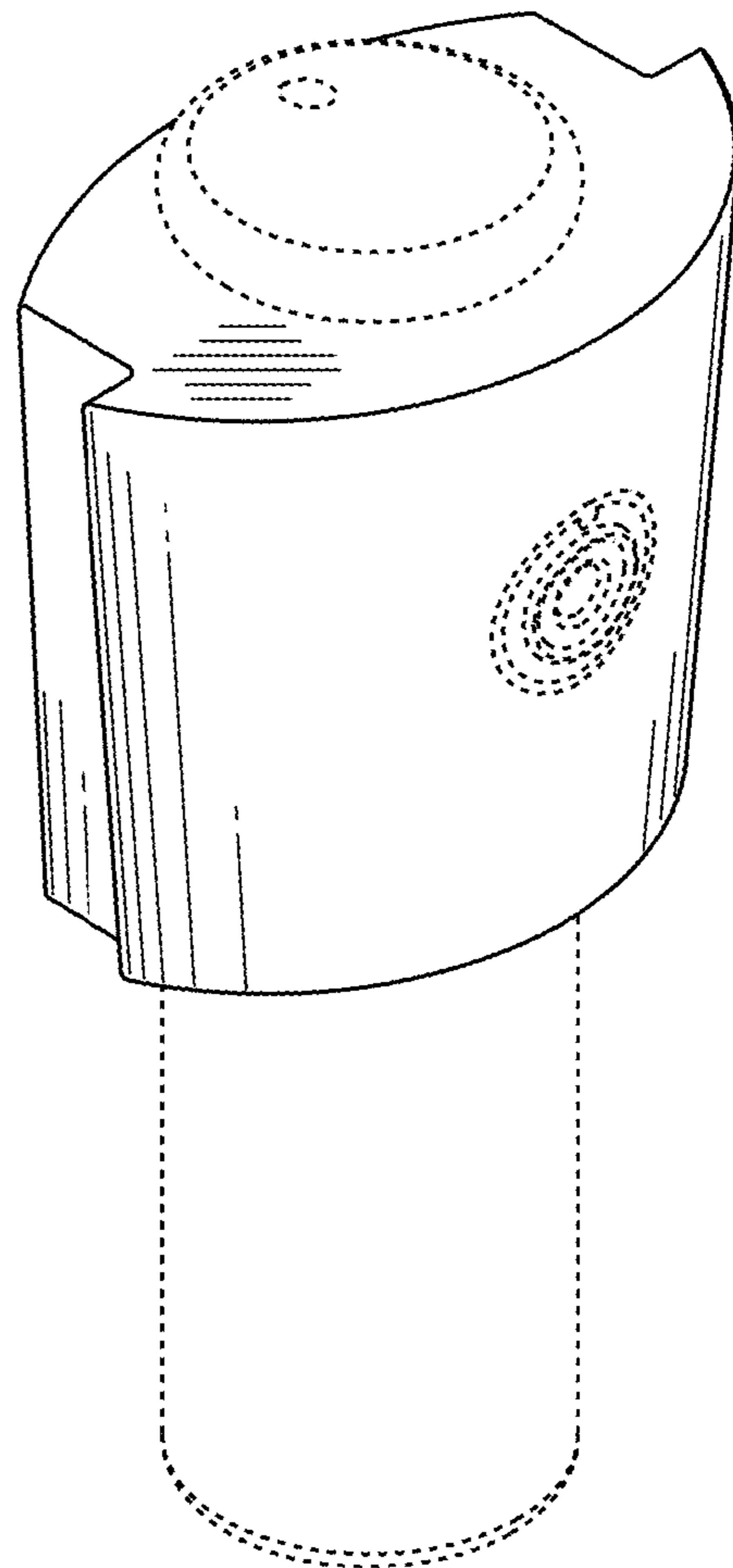


FIG. 2

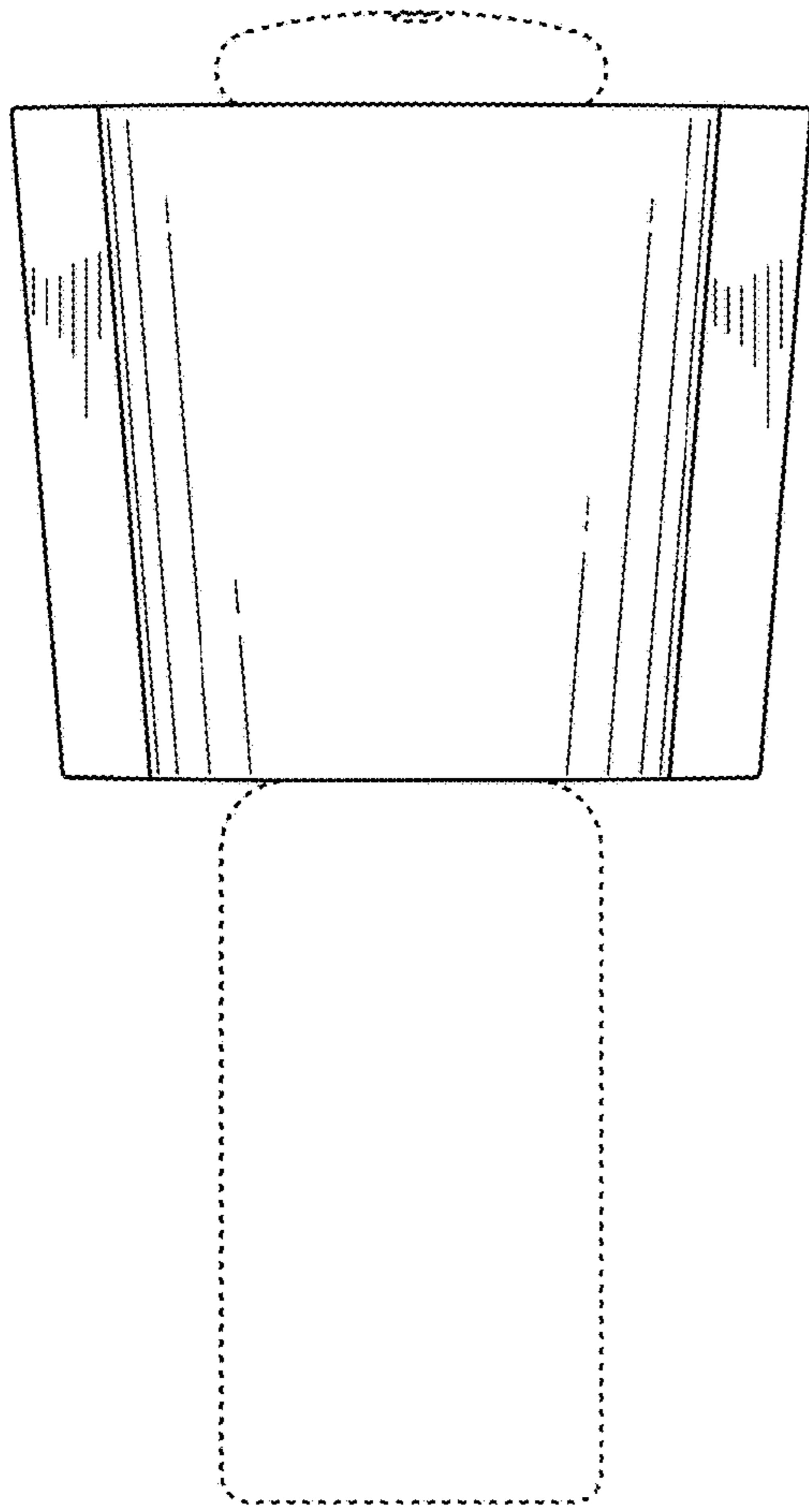


FIG. 3

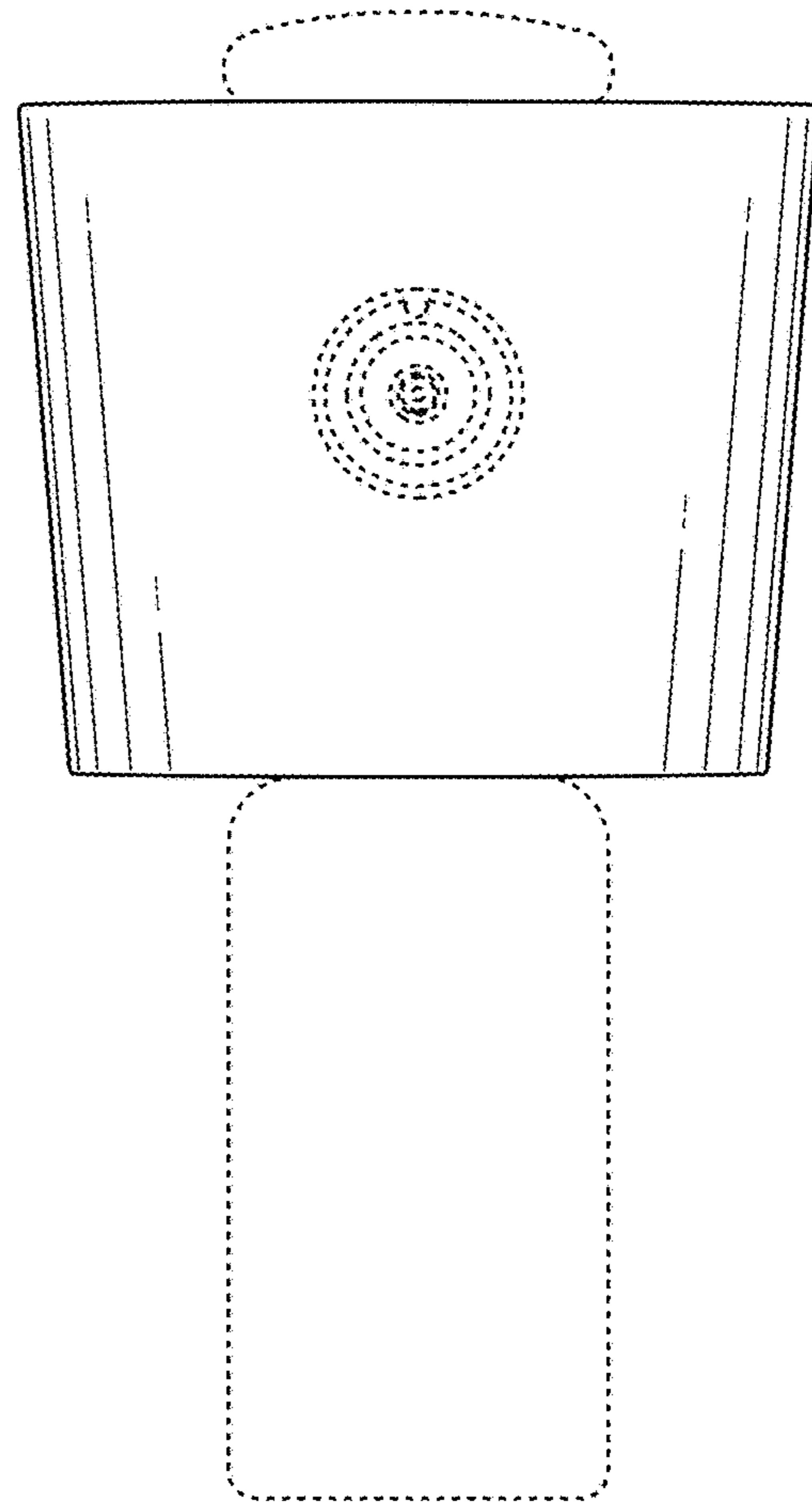


FIG. 4

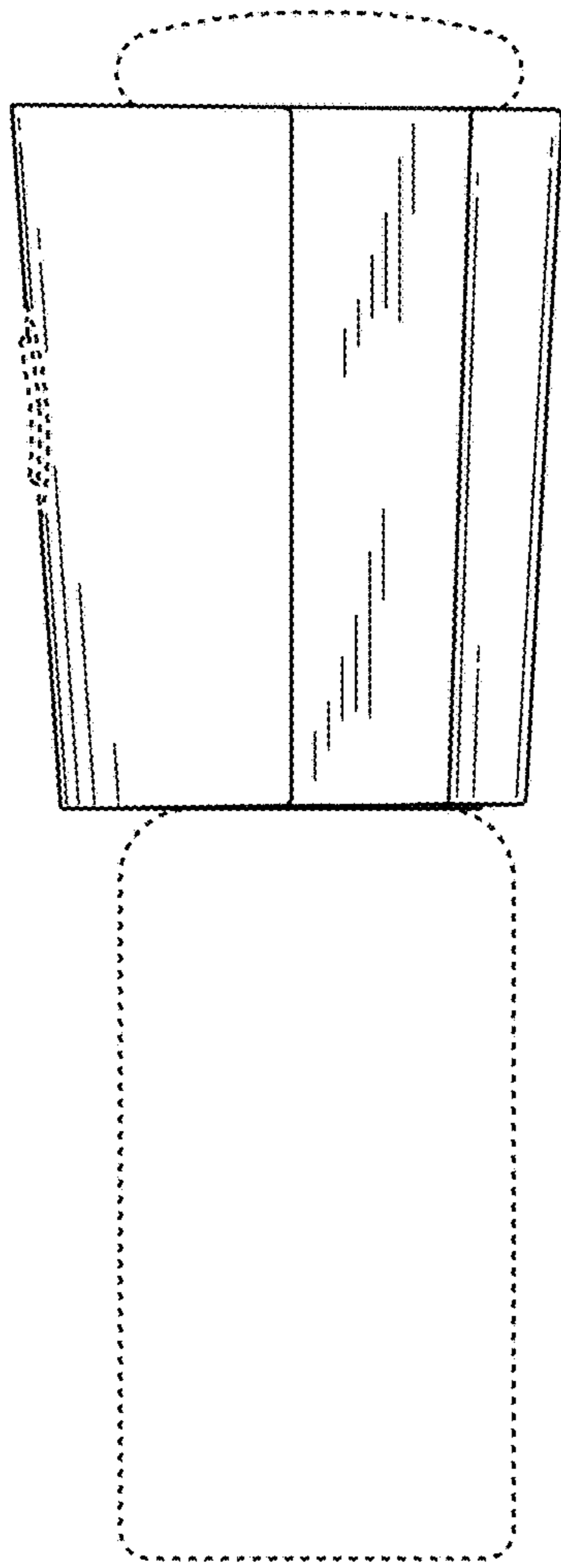


FIG. 5

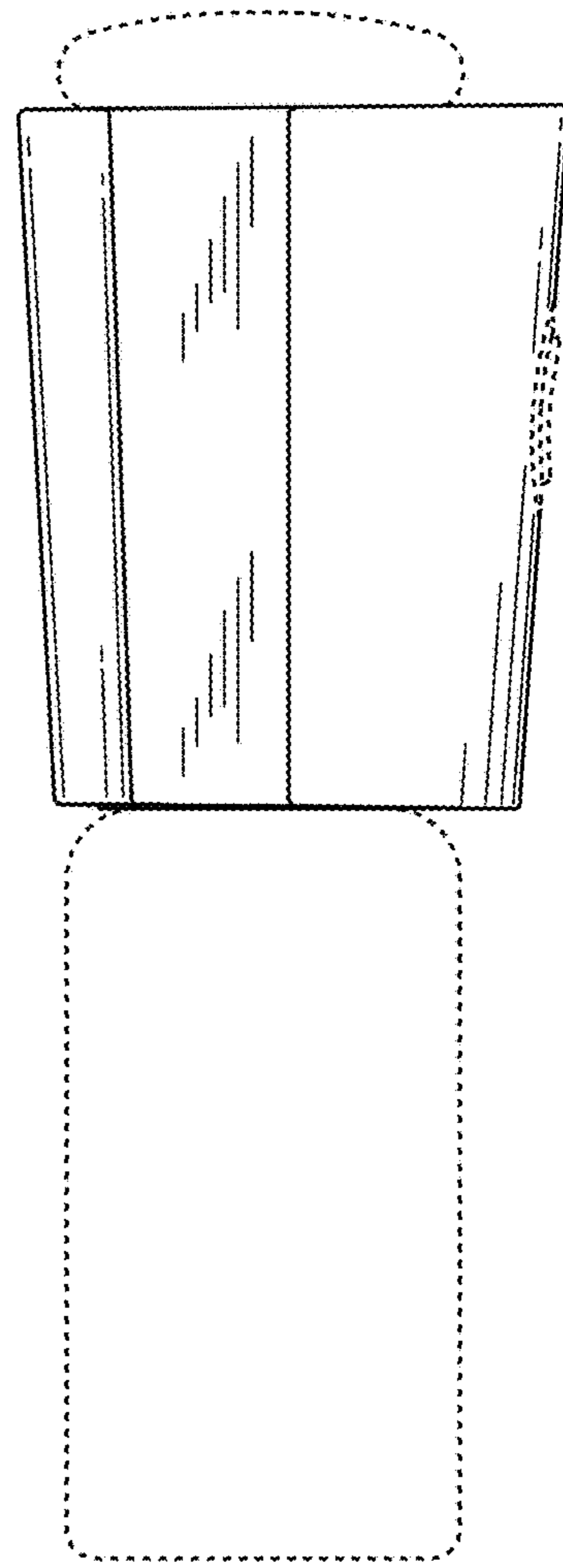


FIG. 6

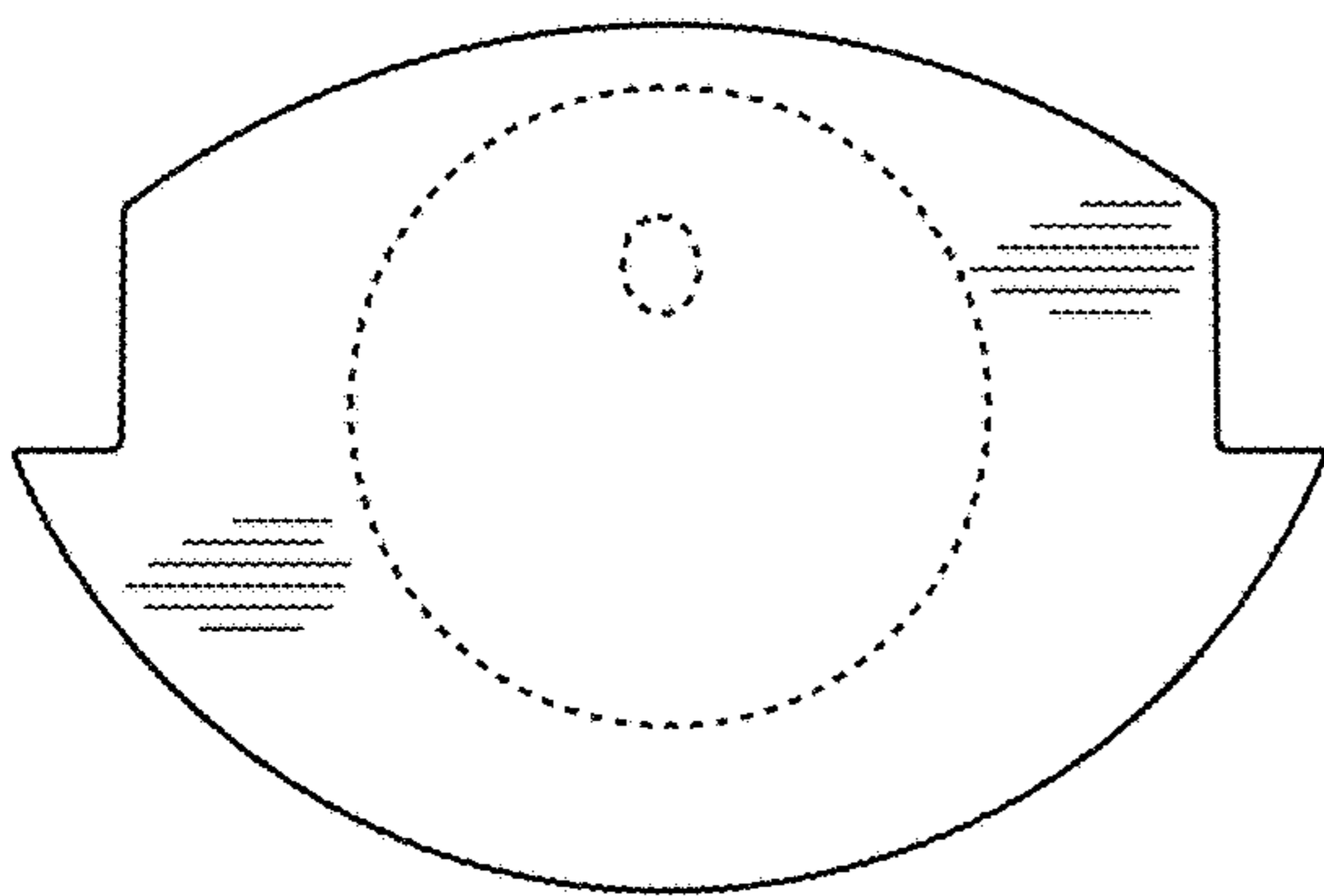


FIG. 7

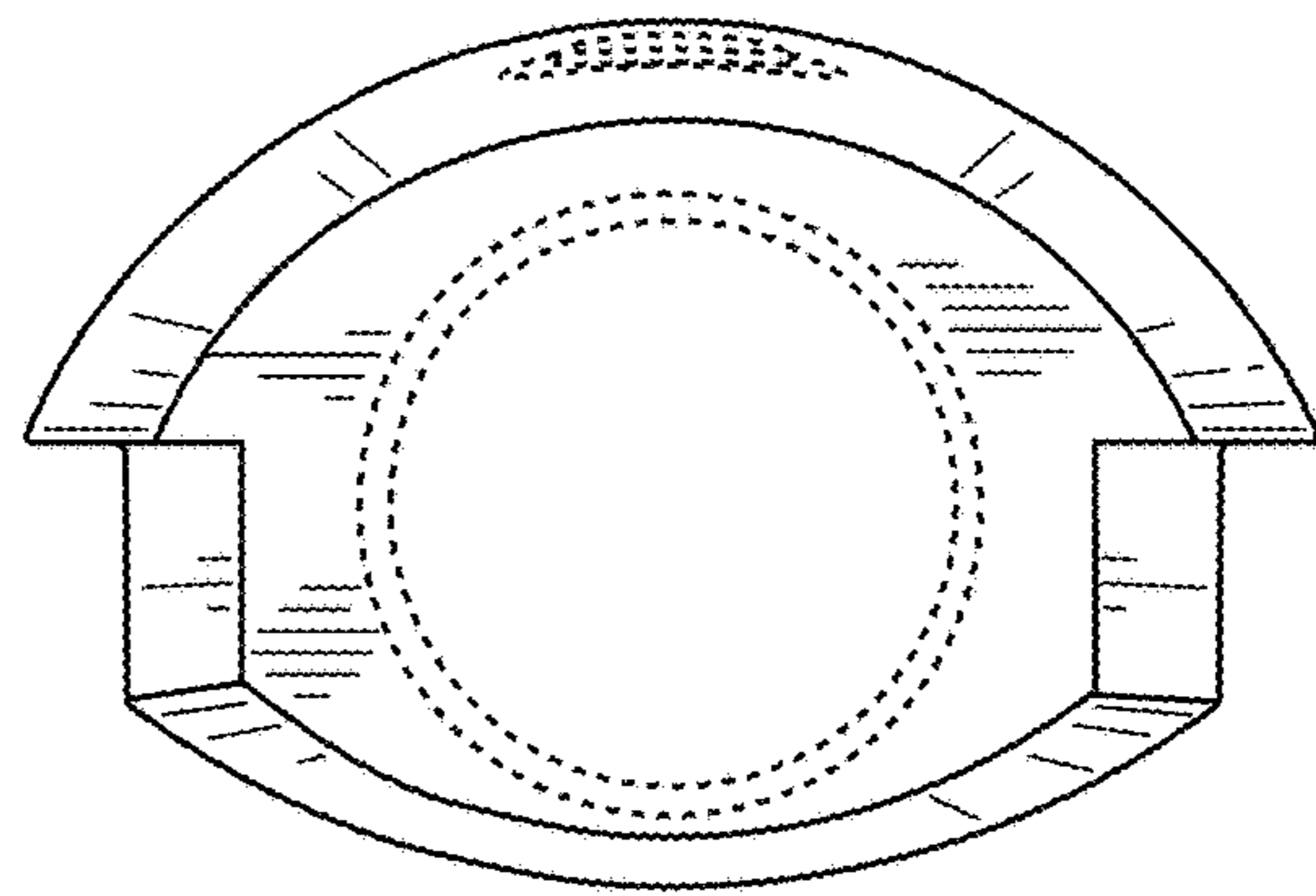


FIG. 8

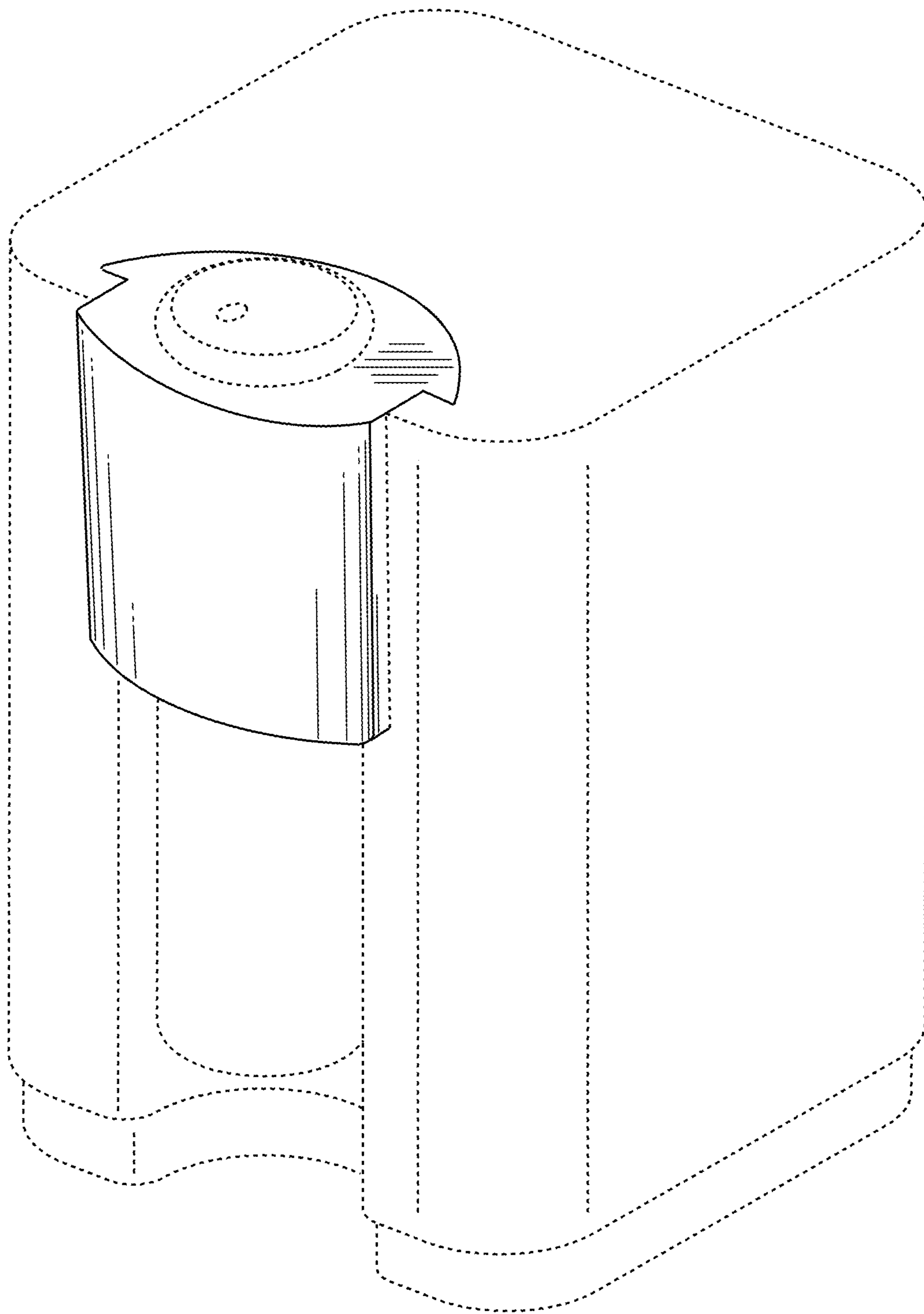


FIG. 9

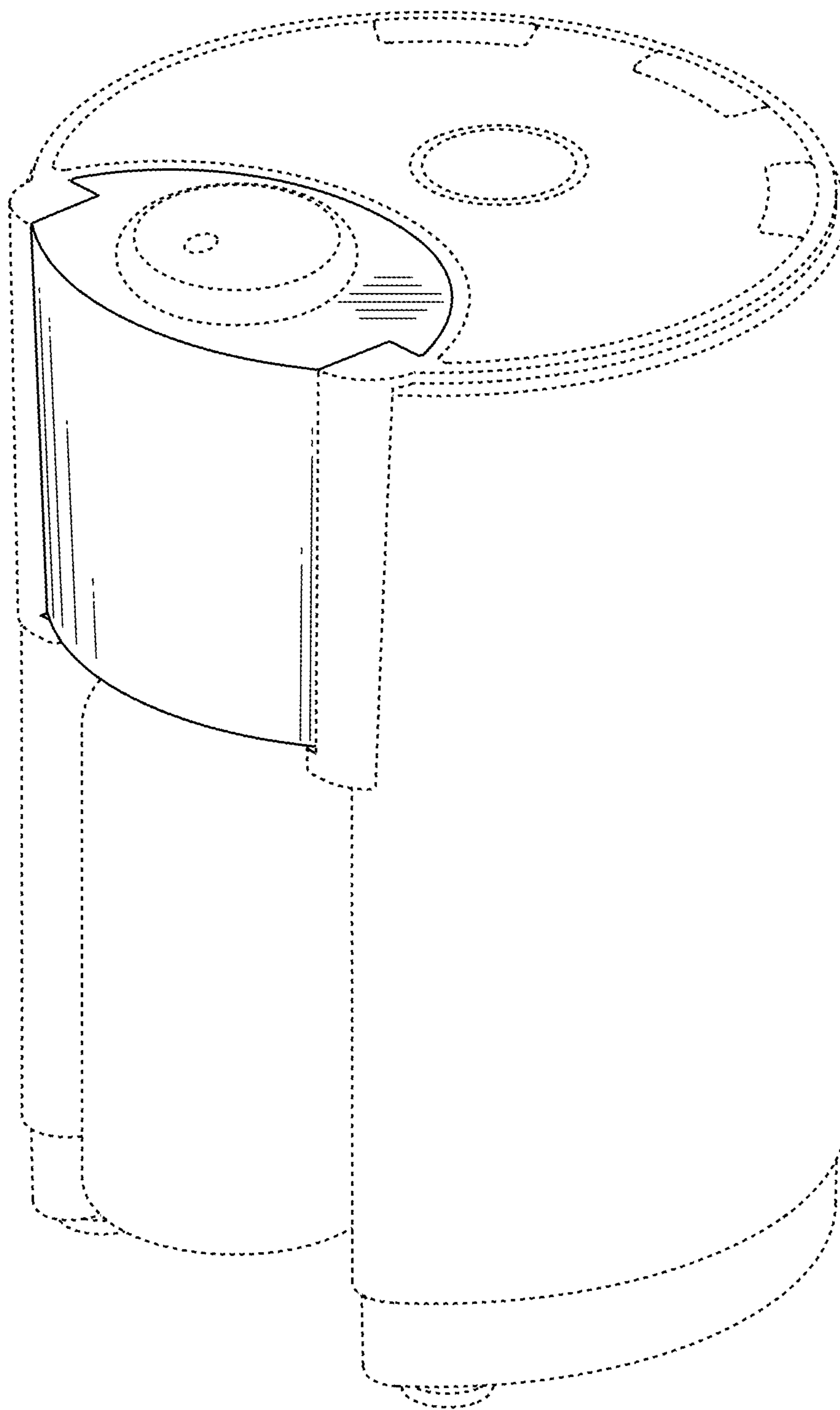


FIG. 10

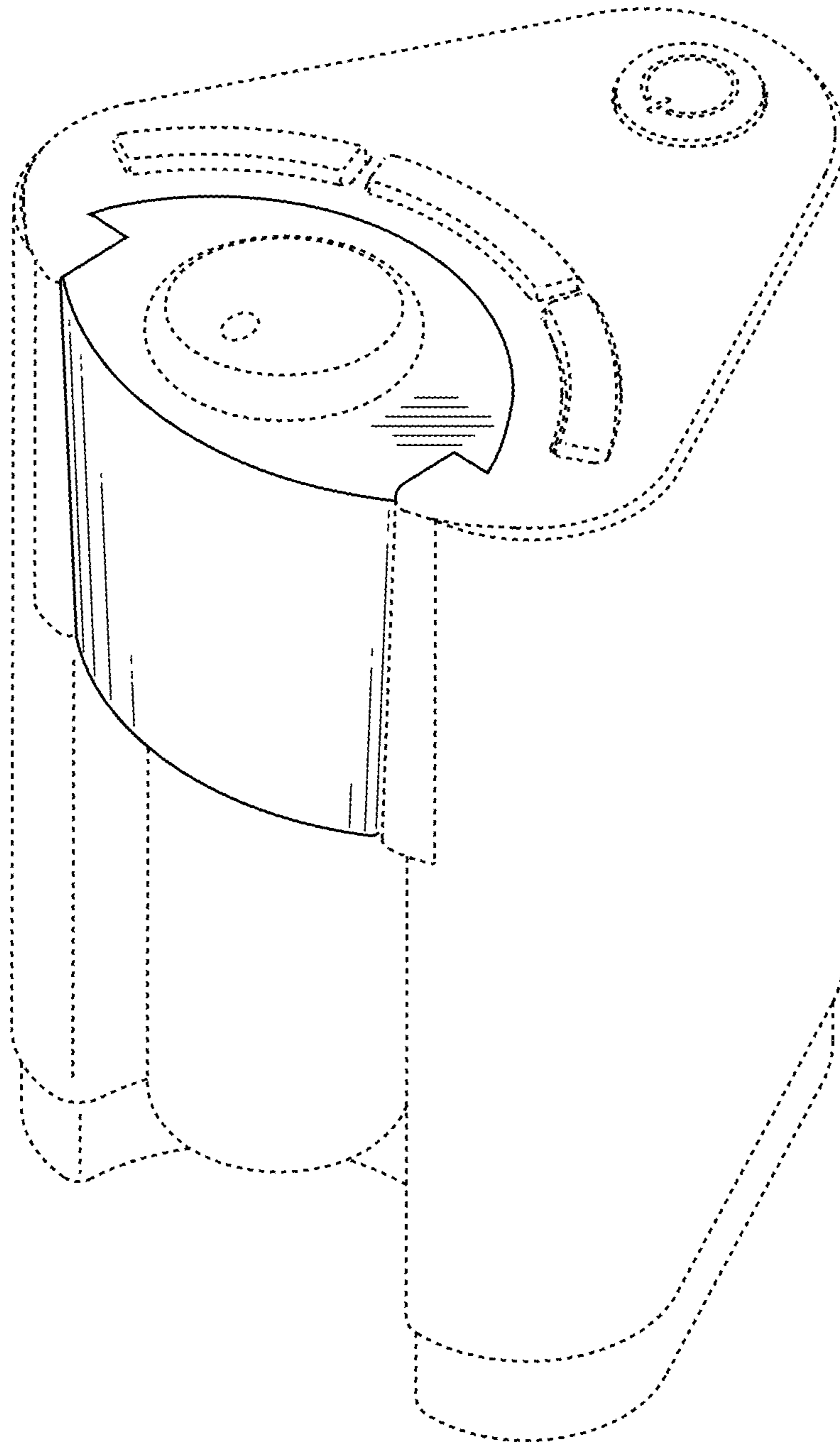


FIG. 11