



US00D804625S

(12) **United States Design Patent** (10) **Patent No.:** **US D804,625 S**
Baker (45) **Date of Patent:** **** Dec. 5, 2017**

(54) **SMALL SCALE FIREPLACE**
(71) Applicant: **HEAT SURGE, LLC**, Canton, OH (US)
(72) Inventor: **David M. Baker**, Louisville, OH (US)
(73) Assignee: **Heat Surge, LLC**, North Canton, OH (US)
(**) Term: **15 Years**
(21) Appl. No.: **29/549,378**
(22) Filed: **Dec. 22, 2015**

D423,810 S * 5/2000 Dorst D6/664
D431,646 S * 10/2000 Mattarelli D23/404
D561,317 S 2/2008 Ou et al.
D624,638 S 9/2010 Gallo et al.
D625,397 S 10/2010 Gallo
7,815,263 B1 * 10/2010 Wright F24B 1/02
312/204
D631,533 S 1/2011 Gallo
D653,739 S * 2/2012 Gibbs D23/314
8,235,033 B2 * 8/2012 Gallo F24B 1/18
126/500
D681,367 S * 5/2013 Lu D6/686
2005/0076903 A1 4/2005 Briere
2007/0215144 A1 9/2007 Husted et al.
2010/0307477 A1 12/2010 Gallo et al.
2011/0162636 A1 7/2011 Gallo
2014/0318529 A1 10/2014 Nielsen

Related U.S. Application Data

(62) Division of application No. 29/447,215, filed on Mar. 1, 2013, now Pat. No. Des. 747,788.
(51) **LOC (10) Cl.** **23-03**
(52) **U.S. Cl.**
USPC **D23/344; D23/332**
(58) **Field of Classification Search**
USPC D23/314, 317, 329, 330, 332, 342, 341, D23/339, 338, 335, 343, 344, 403-410, D23/415-422, 499, 345, 347, 349; 126/500, 520, 544, 247, 201, 258, 512, 126/540, 543, 548, 555, 298; 362/231
See application file for complete search history.

* cited by examiner

Primary Examiner — T. Chase Nelson
Assistant Examiner — Ania Aman
(74) *Attorney, Agent, or Firm* — Sand & Sebolt

(57) **CLAIM**

The ornamental design for a small scale fireplace, as shown and described.

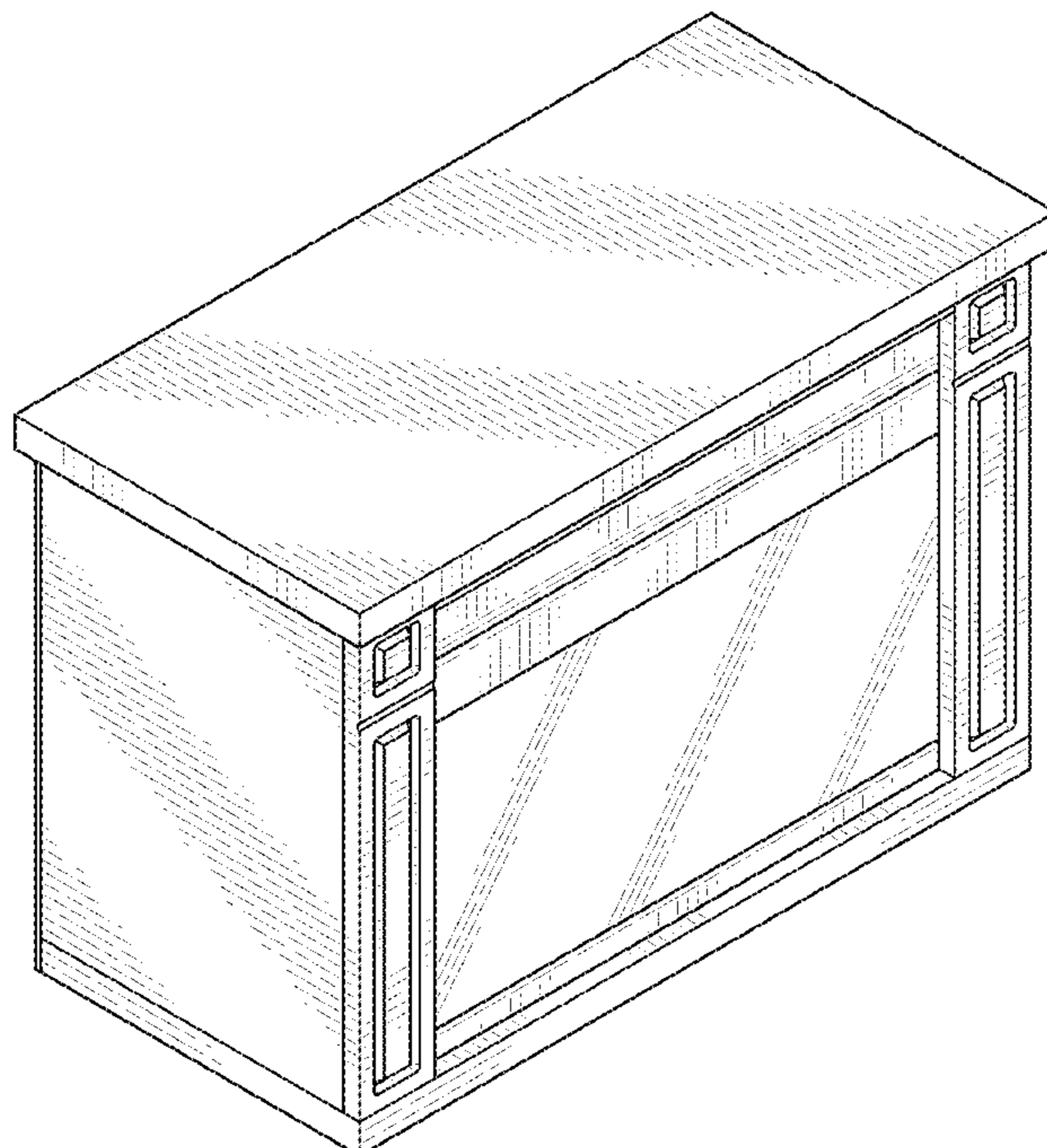
DESCRIPTION

FIG. 1 is an isometric perspective view of a small scale fireplace showing my new design; FIG. 2 is a front elevational view; FIG. 3 is a rear (back) plan view; FIG. 4 is a left side elevational view; FIG. 5 is a right side elevational view; FIG. 6 is a top plan view; and, FIG. 7 is a bottom plan view.

(56) **References Cited**
U.S. PATENT DOCUMENTS

D140,507 S * 3/1945 Kuchta 312/204
5,887,388 A * 3/1999 Hempel F24B 1/198
126/278
D410,346 S * 6/1999 Kerr D6/664

1 Claim, 6 Drawing Sheets



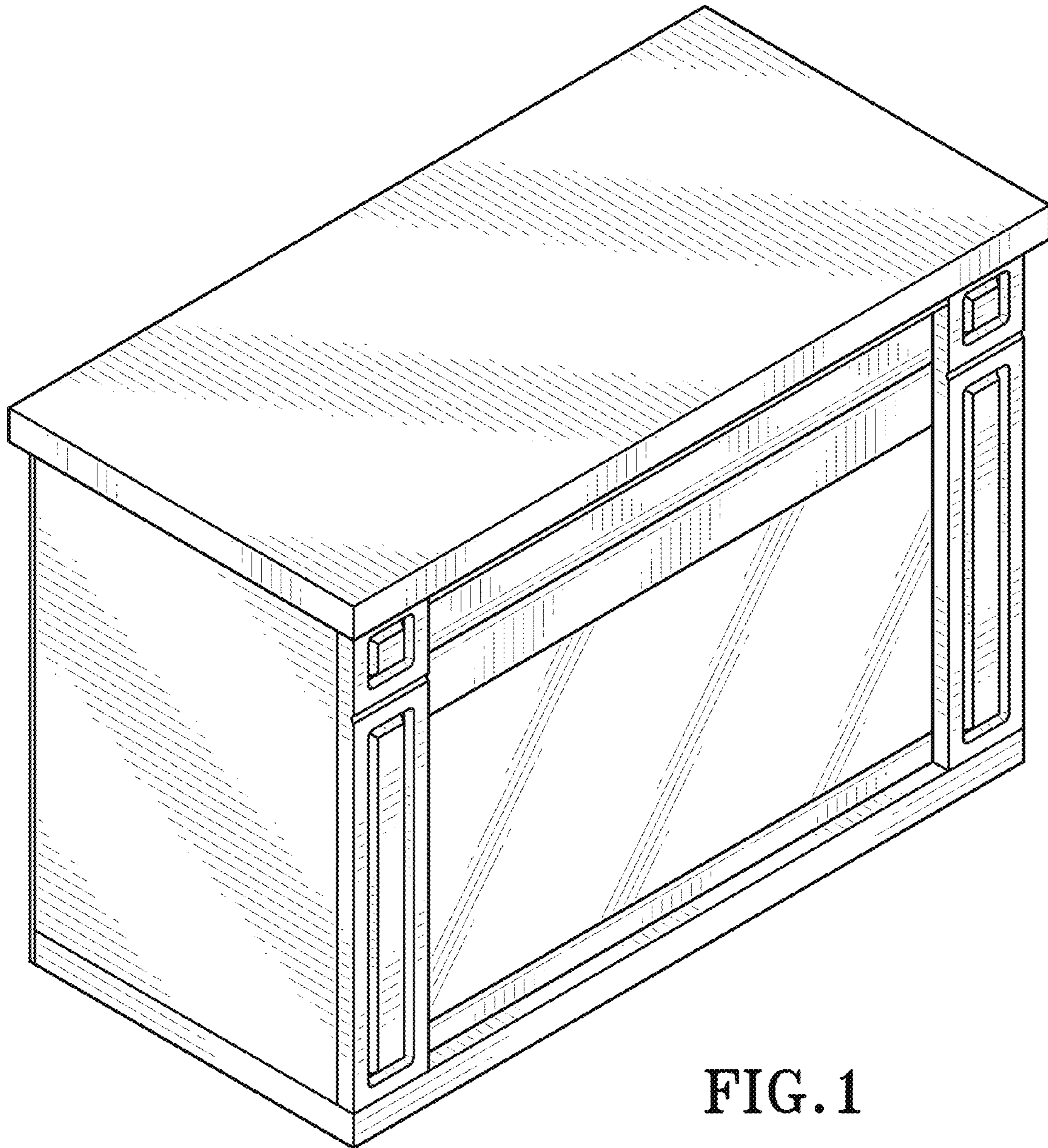


FIG. 1

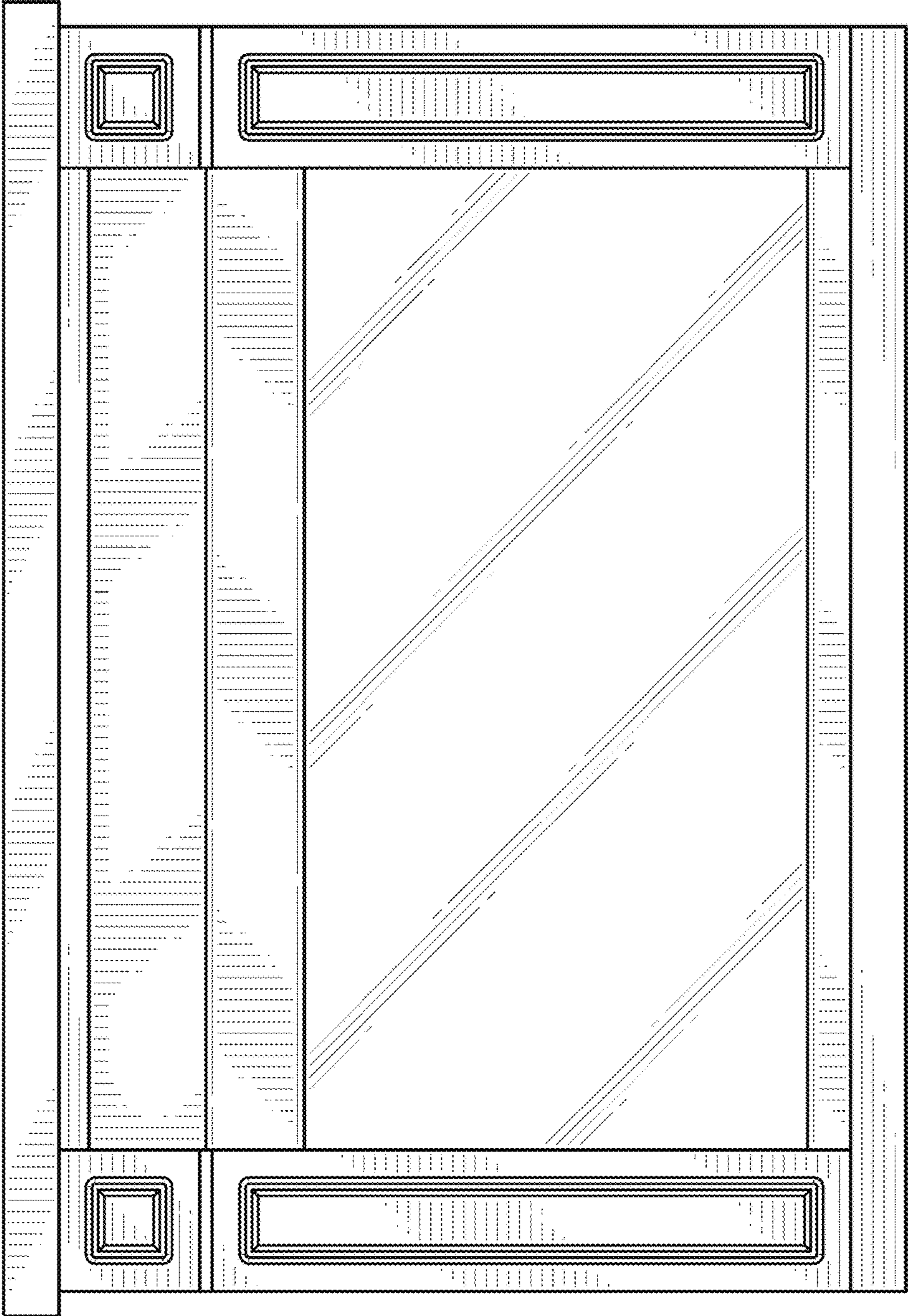


FIG. 2

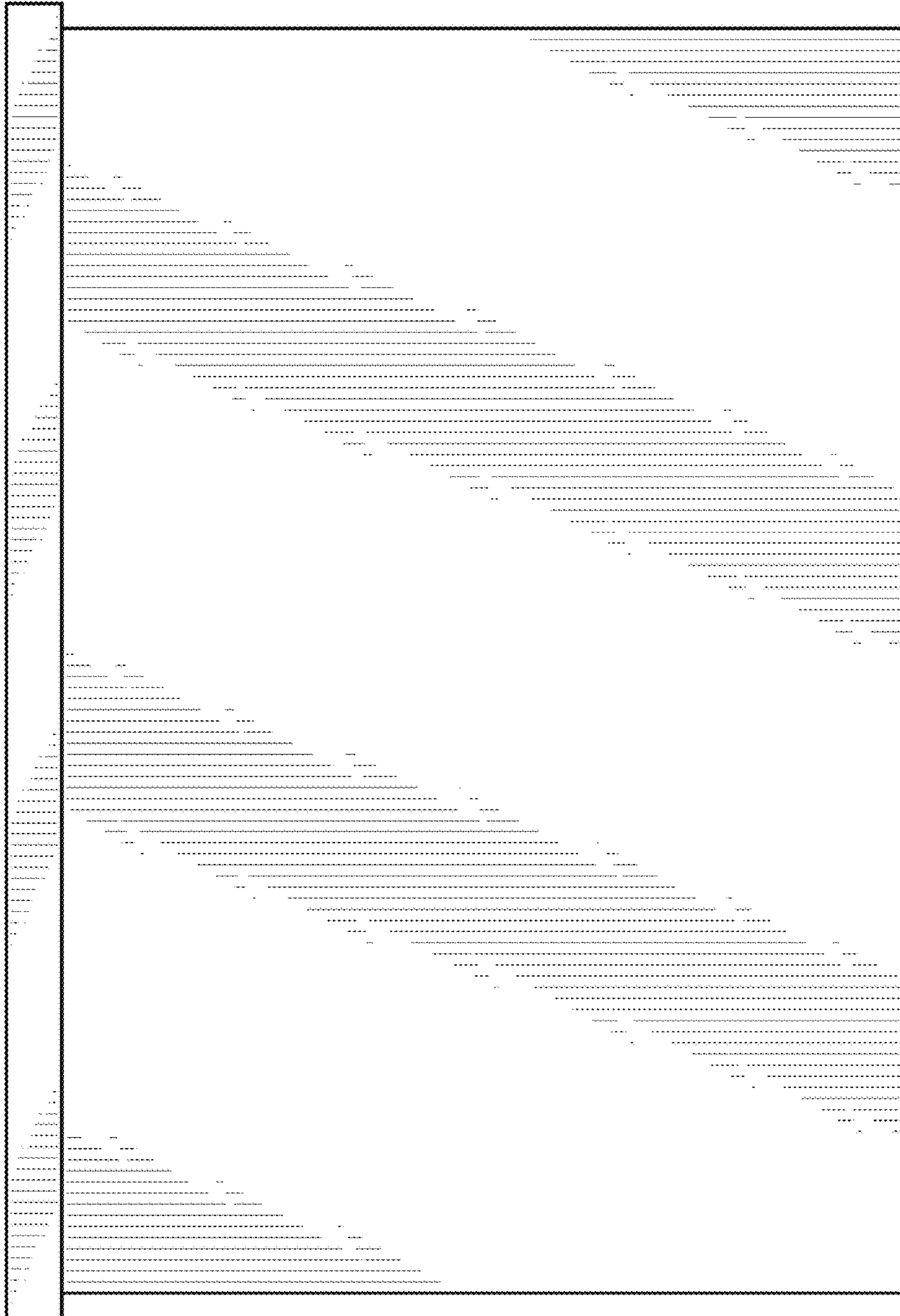


FIG. 3

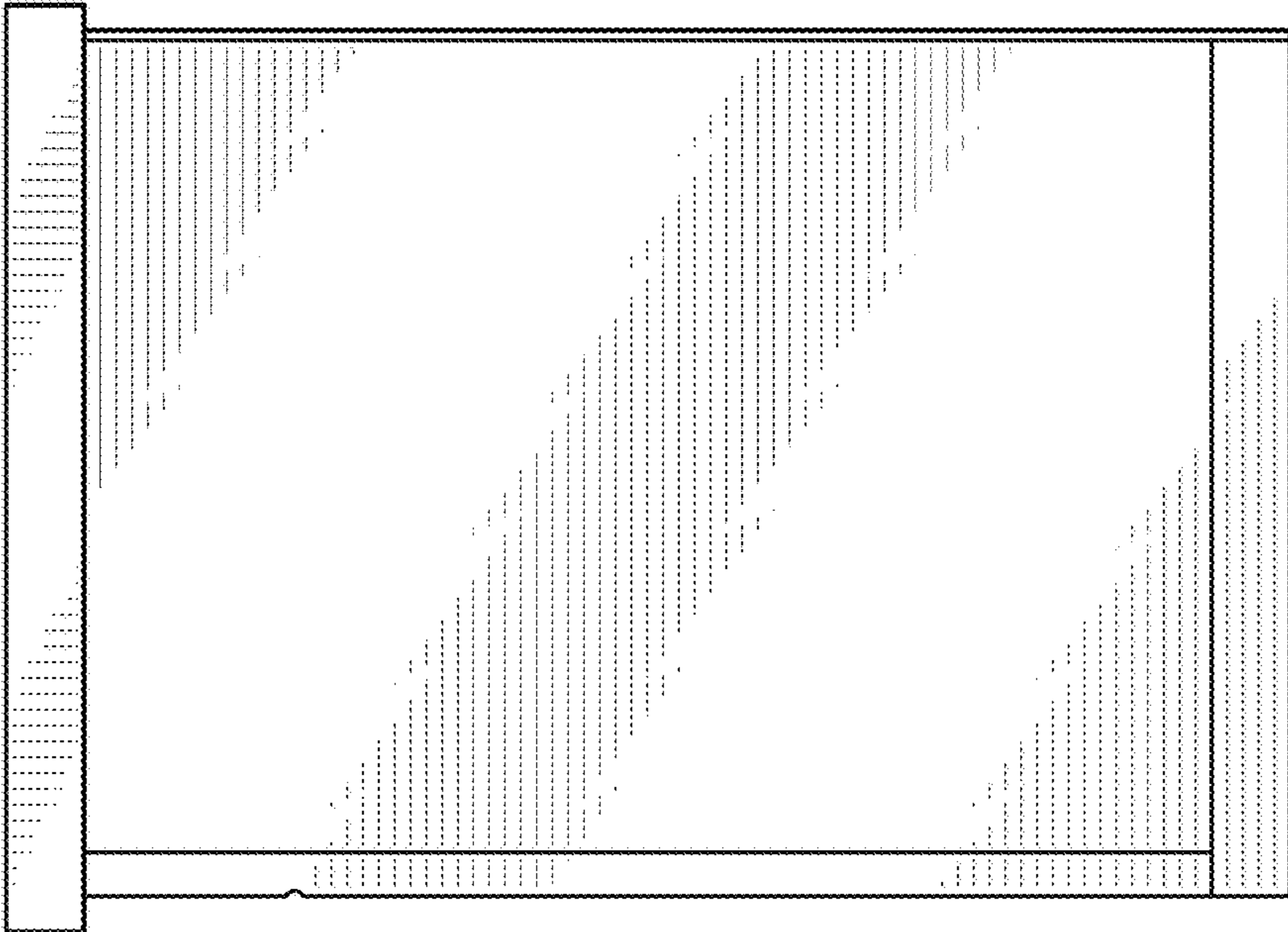


FIG. 4

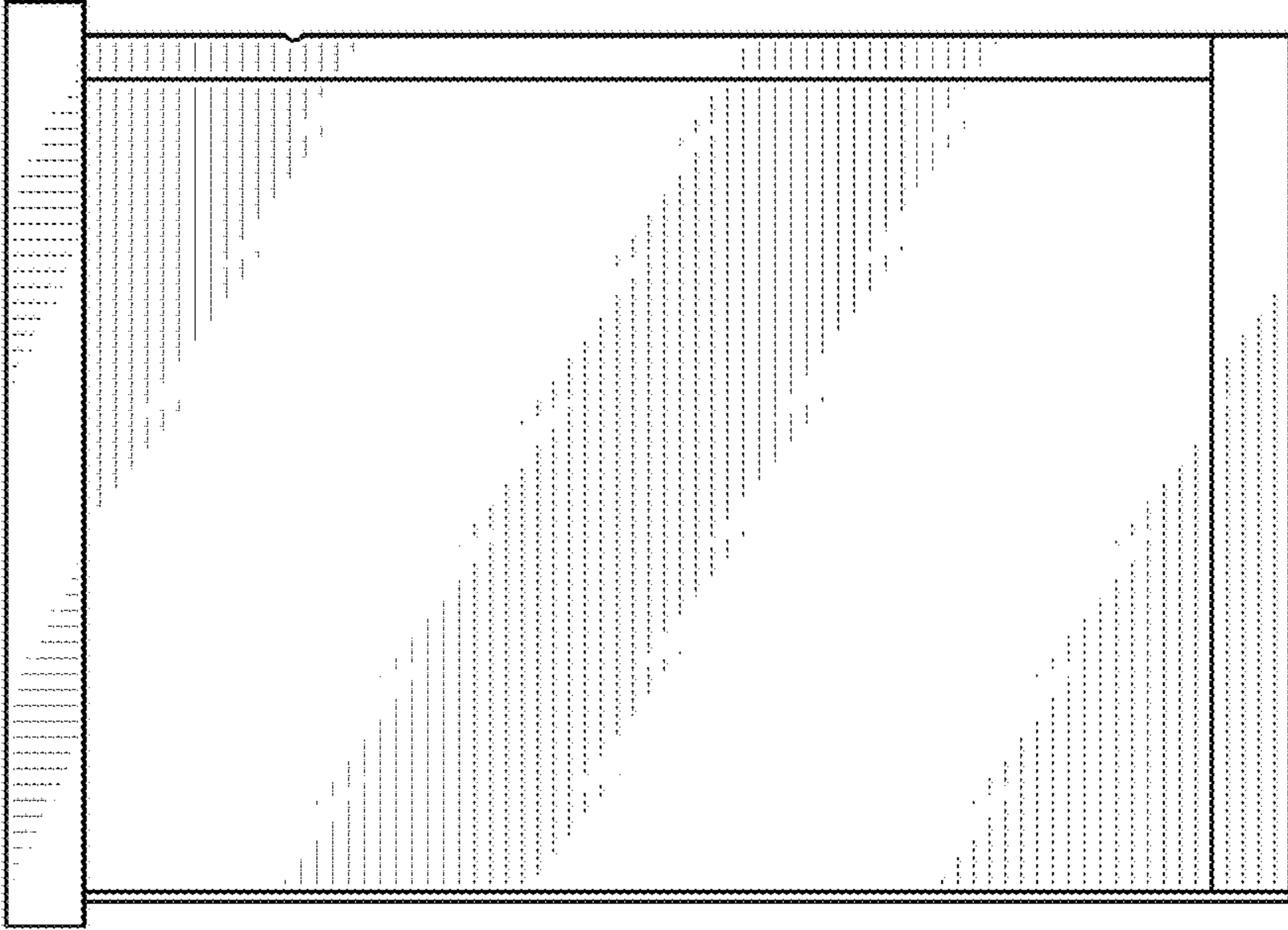


FIG. 5

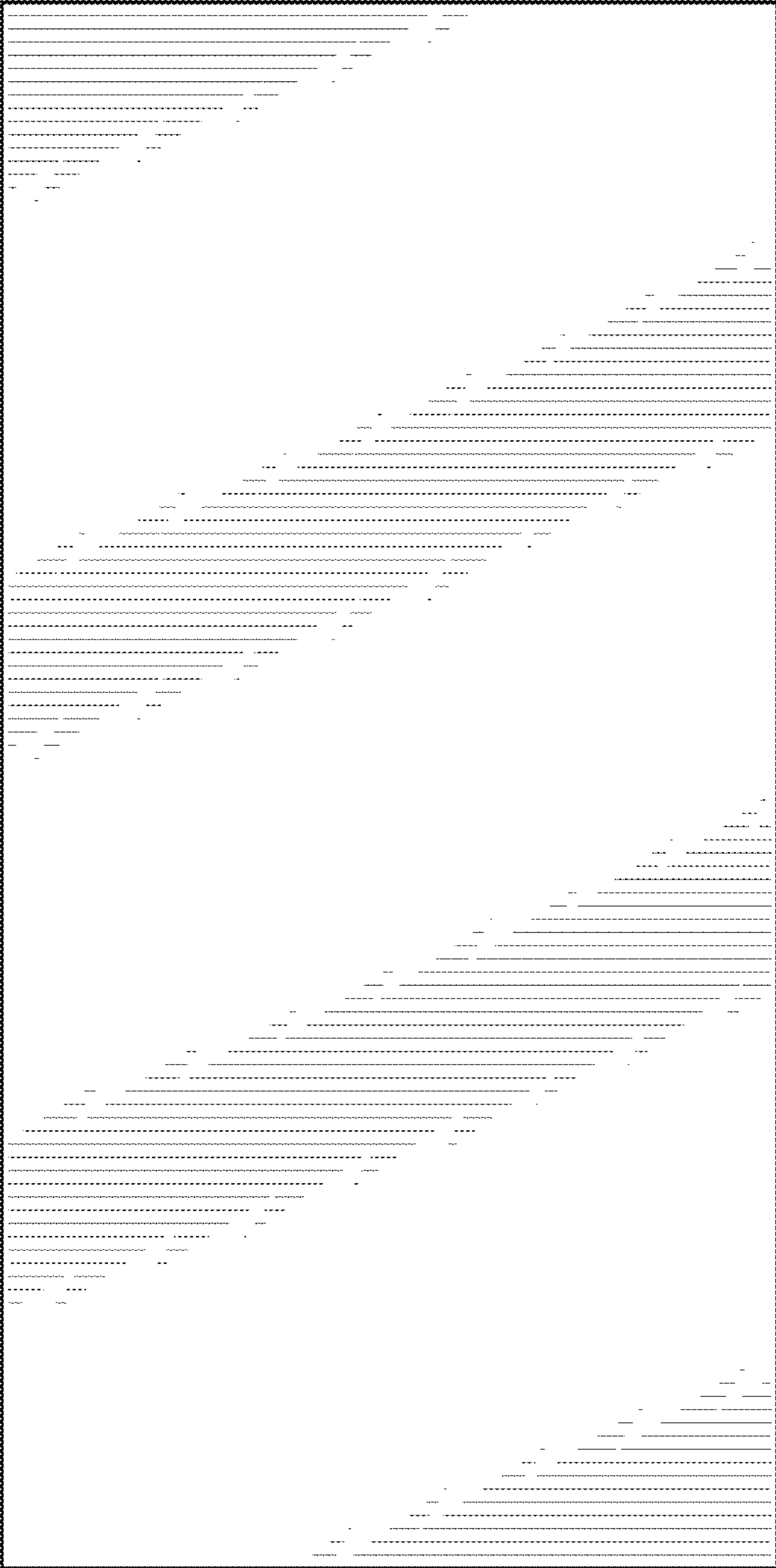


FIG. 6

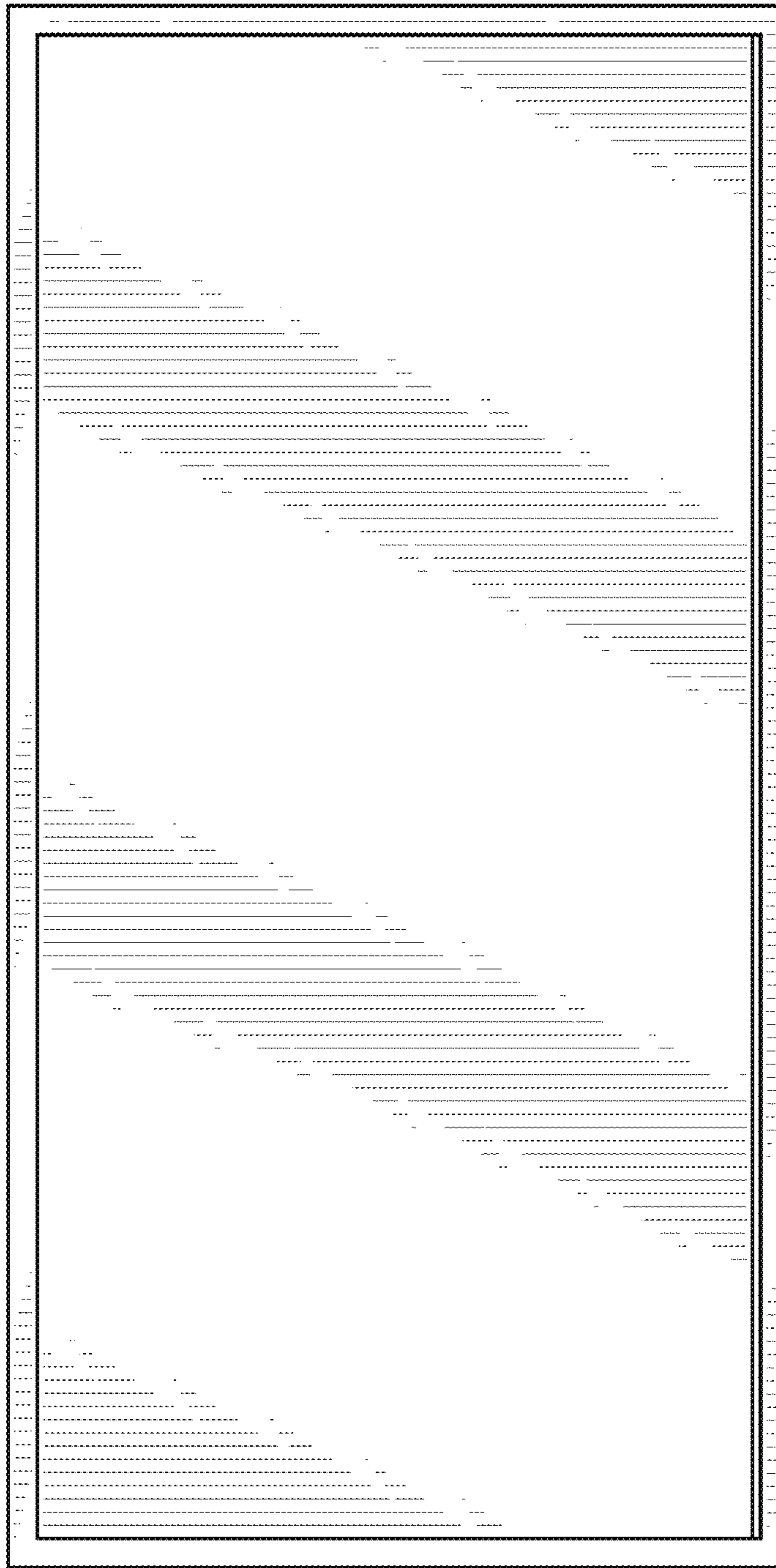


FIG. 7