



US00D804624S

(12) **United States Design Patent** (10) **Patent No.:** **US D804,624 S**
Dent (45) **Date of Patent:** **** Dec. 5, 2017**

(54) **REGULATOR FOR A HEATING INSTALLATION**
(71) Applicant: **STEGO-Holding GmbH**, Schwäbisch Hall (DE)
(72) Inventor: **Robert Dent**, Schwäbisch Hall (DE)
(73) Assignee: **STEGO-HOLDING GMBH**, Schwäbisch Hall (DE)

D480,055 S * 9/2003 Droulin D13/162.1
D480,368 S * 10/2003 Droulin D13/162.1
D502,652 S * 3/2005 Stekelenburg D10/50
D536,779 S * 2/2007 Lerche D23/393
D554,069 S * 10/2007 Bolotin D13/162
D558,072 S * 12/2007 Simon D10/50

(Continued)

FOREIGN PATENT DOCUMENTS

DE 10 2009 039 50 A1 3/2011
DE 10 2009 039 507 A1 3/2011

(Continued)

(**) Term: **15 Years**
(21) Appl. No.: **29/551,399**

OTHER PUBLICATIONS

International Search Report dated Oct. 19, 2016 in PCT Application No. PCT/EP2016/066071, provided in German.

(Continued)

(30) **Foreign Application Priority Data**
Jul. 13, 2015 (EM) 002735860
(51) **LOC (10) Cl.** **23-03**
(52) **U.S. Cl.**
USPC **D23/342**; D10/50
(58) **Field of Classification Search**
USPC D23/342; D13/162, 162.1; D10/49, 50;
D14/446
CPC .. F28F 1/0475; F28F 1/10; F28F 1/126; F28F
1/325; F28F 1/18; F28F 1/28; F23D
14/06; H02G 3/08
See application file for complete search history.

Primary Examiner — Sheryl Lane
Assistant Examiner — Calvin E Vansant
(74) *Attorney, Agent, or Firm* — Hassan Abbas Shakir;
Katten Muchin Rosenman LLP

(57) **CLAIM**

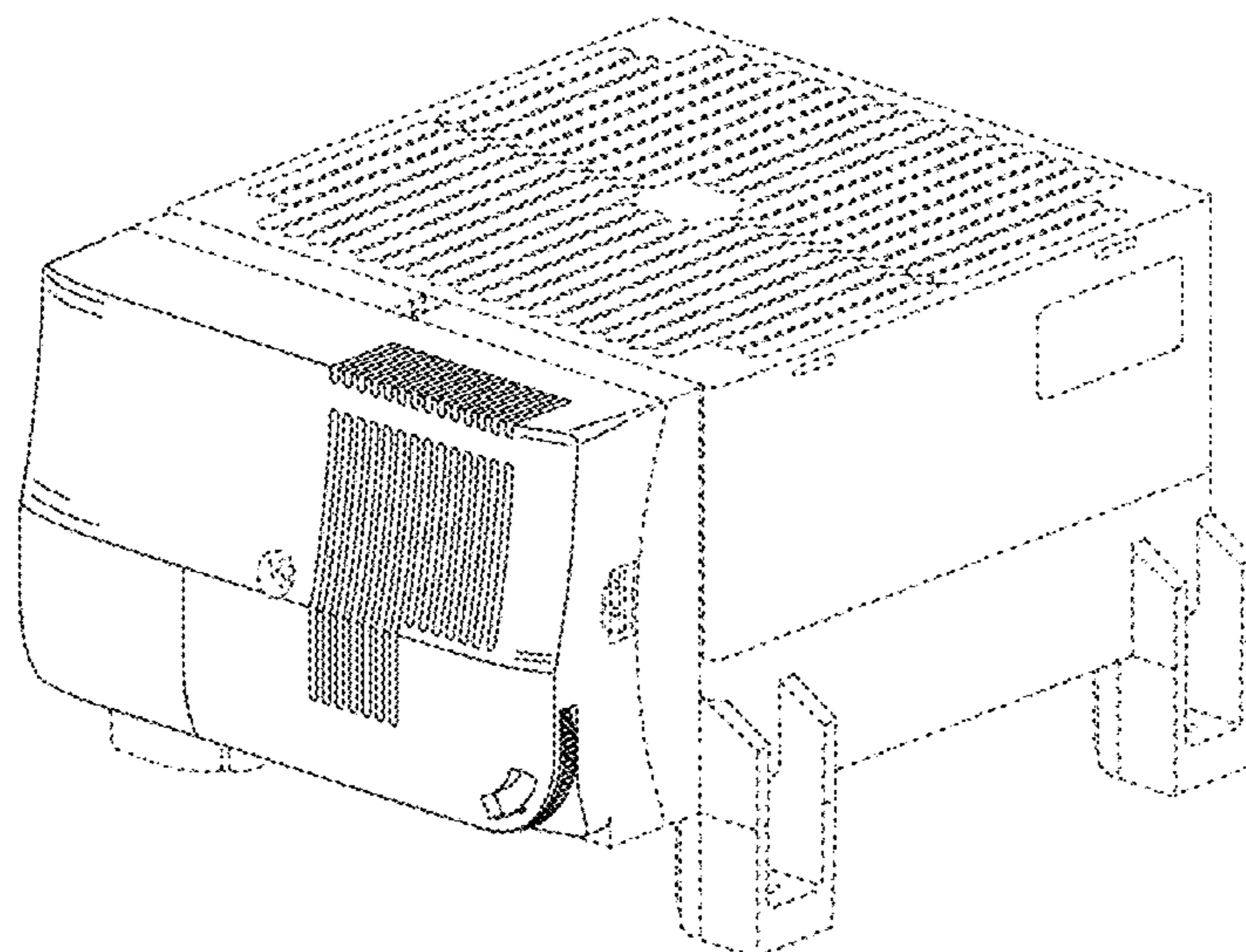
The ornamental design of a regulator for a heating installation, as shown and described.

DESCRIPTION

FIG. 1 is a front isometric view of the regulator for a heating installation;
FIG. 2 is a front view of the regulator;
FIG. 3 is a rear view of the regulator;
FIG. 4 is a left-side view of the regulator;
FIG. 5 is a right-side view of the regulator;
FIG. 6 is a top view of the regulator; and,
FIG. 7 is a bottom view of the regulator.
The broken lines depict portions of the regulator for a heating installation that form no part of the claim.

(56) **References Cited**
U.S. PATENT DOCUMENTS
D201,914 S * 8/1965 Monson et al. D10/50
D254,613 S * 4/1980 Ault D13/162.1
D266,841 S * 11/1982 Vintzel D13/162
4,620,263 A 10/1986 Ito
5,105,336 A 4/1992 Jacoby et al.
D333,792 S * 3/1993 Odom, Jr. D10/50
D346,978 S * 5/1994 Giese D10/49
D394,842 S * 6/1998 Kellstedt, Jr. D13/162
D398,585 S * 9/1998 Richman D13/162

1 Claim, 7 Drawing Sheets



(56)

References Cited

U.S. PATENT DOCUMENTS

D576,561 S * 9/2008 Kaluza D13/162
D602,382 S * 10/2009 Kennedy D10/50
D664,633 S * 7/2012 Mangold D23/314
D754,613 S * 4/2016 Downs D10/96
2010/0039776 A1 2/2010 Nuki
2010/0302728 A1 12/2010 Knaup et al.
2011/0069445 A1 3/2011 Hobein et al.
2011/0069451 A1 3/2011 Hobein et al.

FOREIGN PATENT DOCUMENTS

DE 10 2010 033 728 A1 5/2011
EP 1 713 099 A1 10/2006
EP 2299582 A1 3/2011

OTHER PUBLICATIONS

Office Action dated Feb. 12, 2016 in in related application DE 10 2015 111 298.1 issued by the German Patent Office, partial machine translation provided.

* cited by examiner

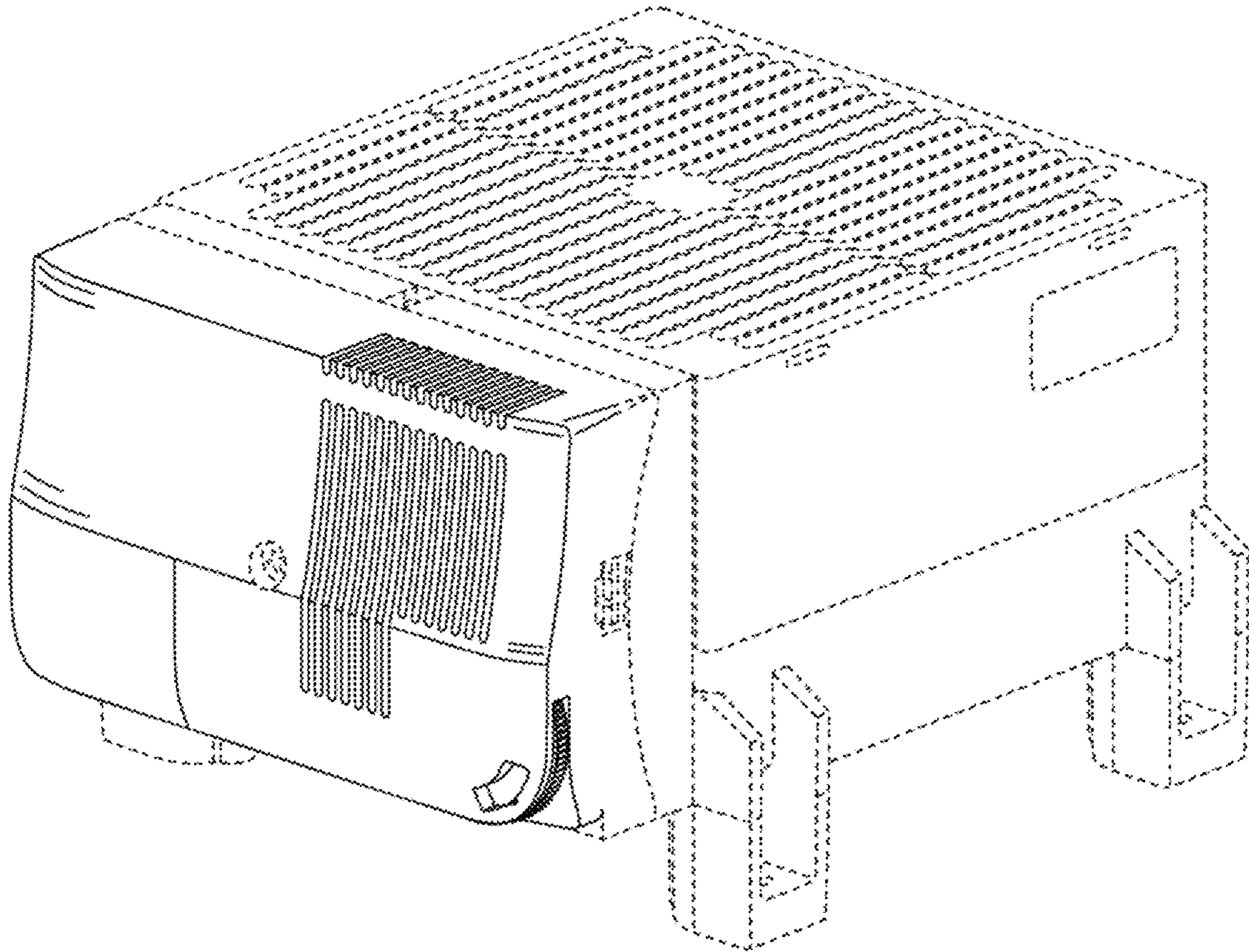


FIG. 1

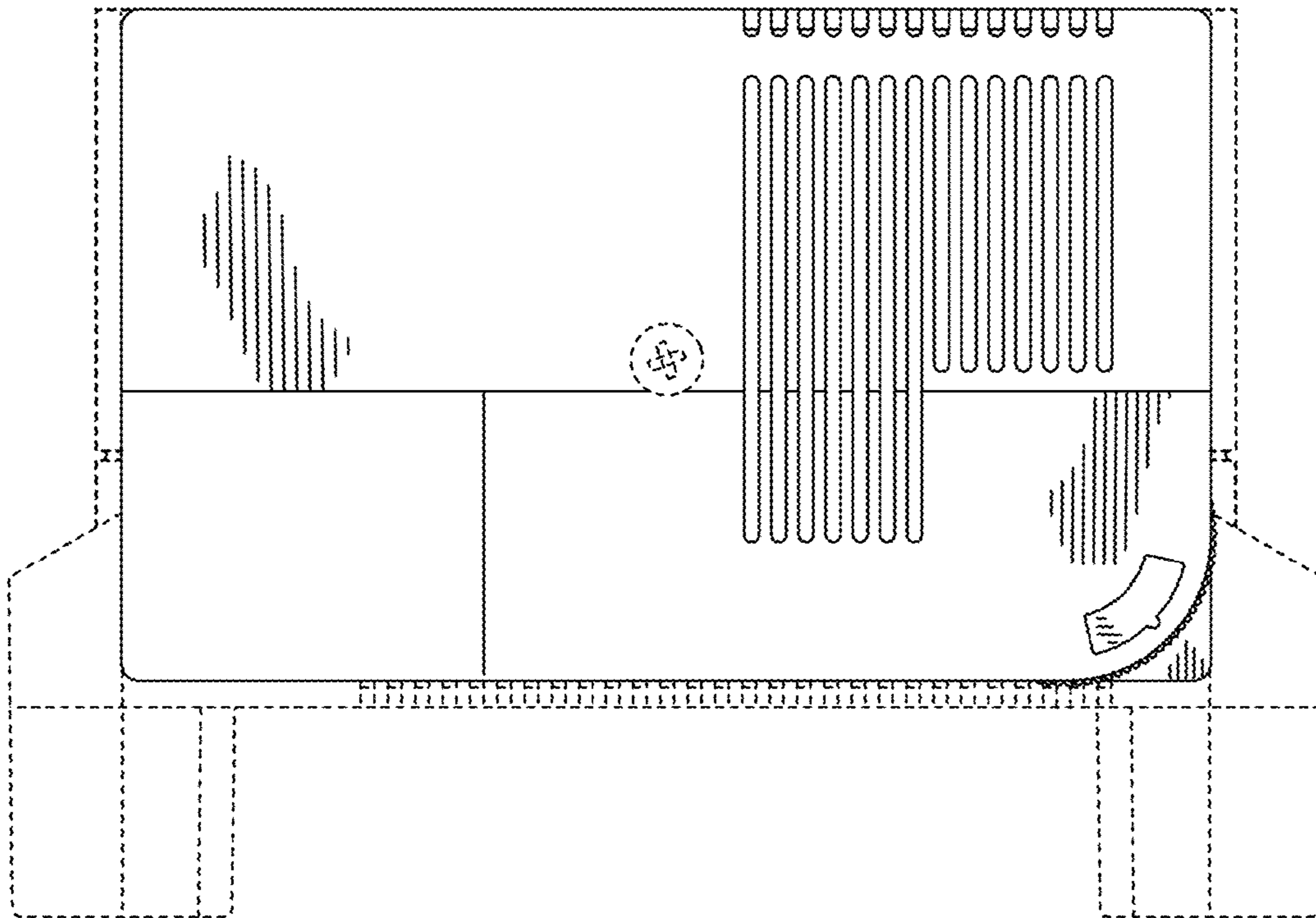


Fig. 2

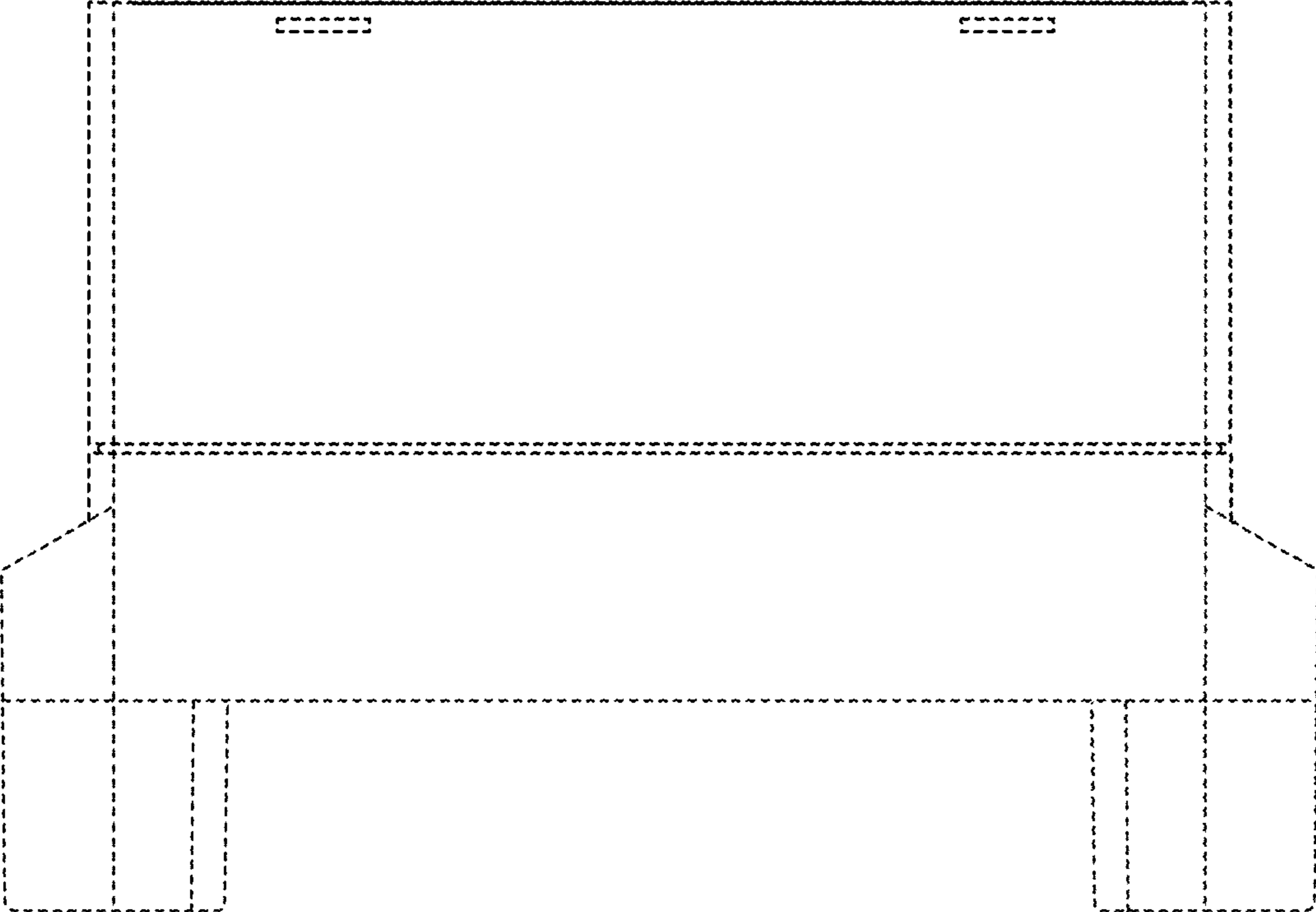


Fig. 3

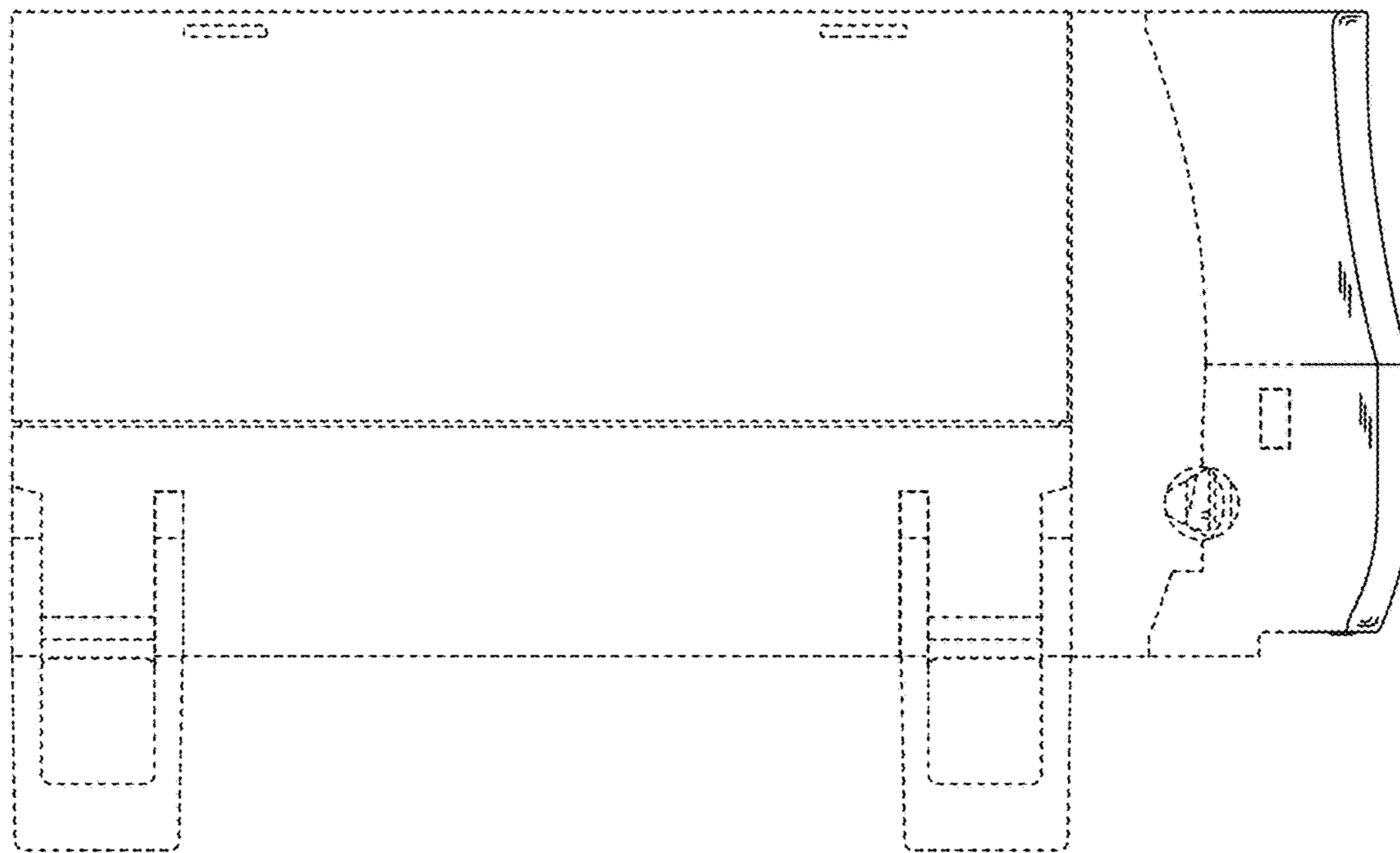


Fig. 4

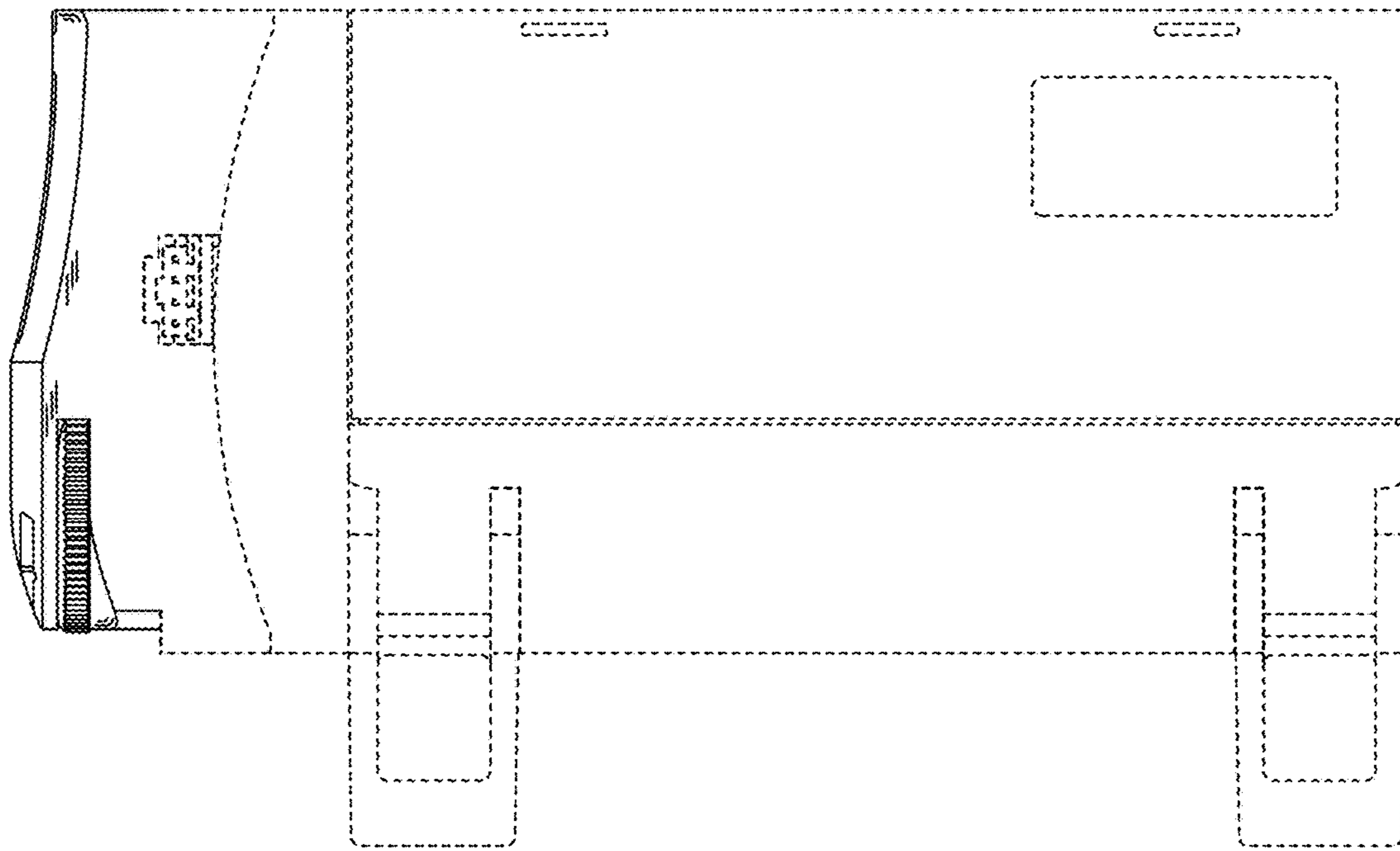


Fig. 5

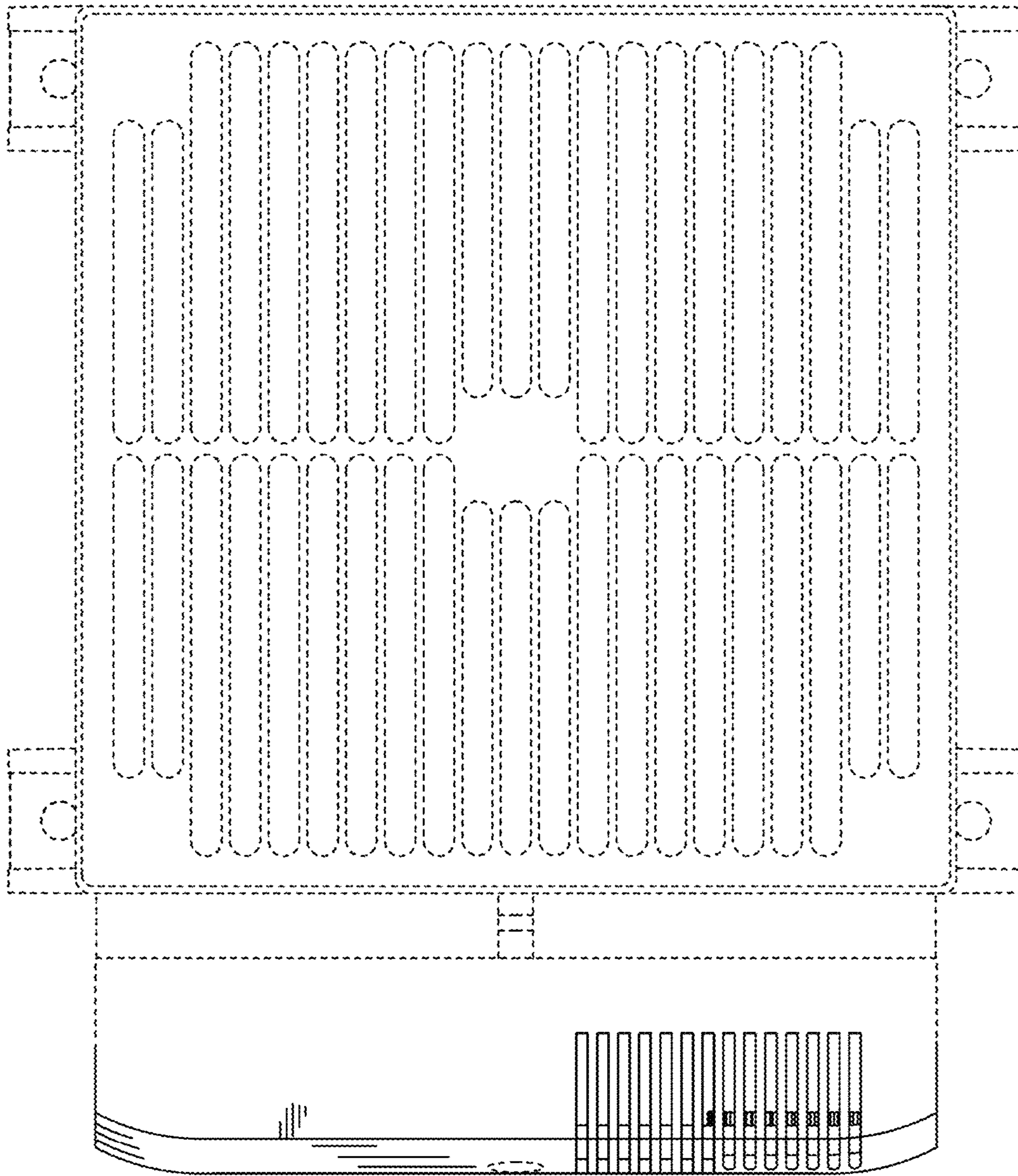


Fig. 6

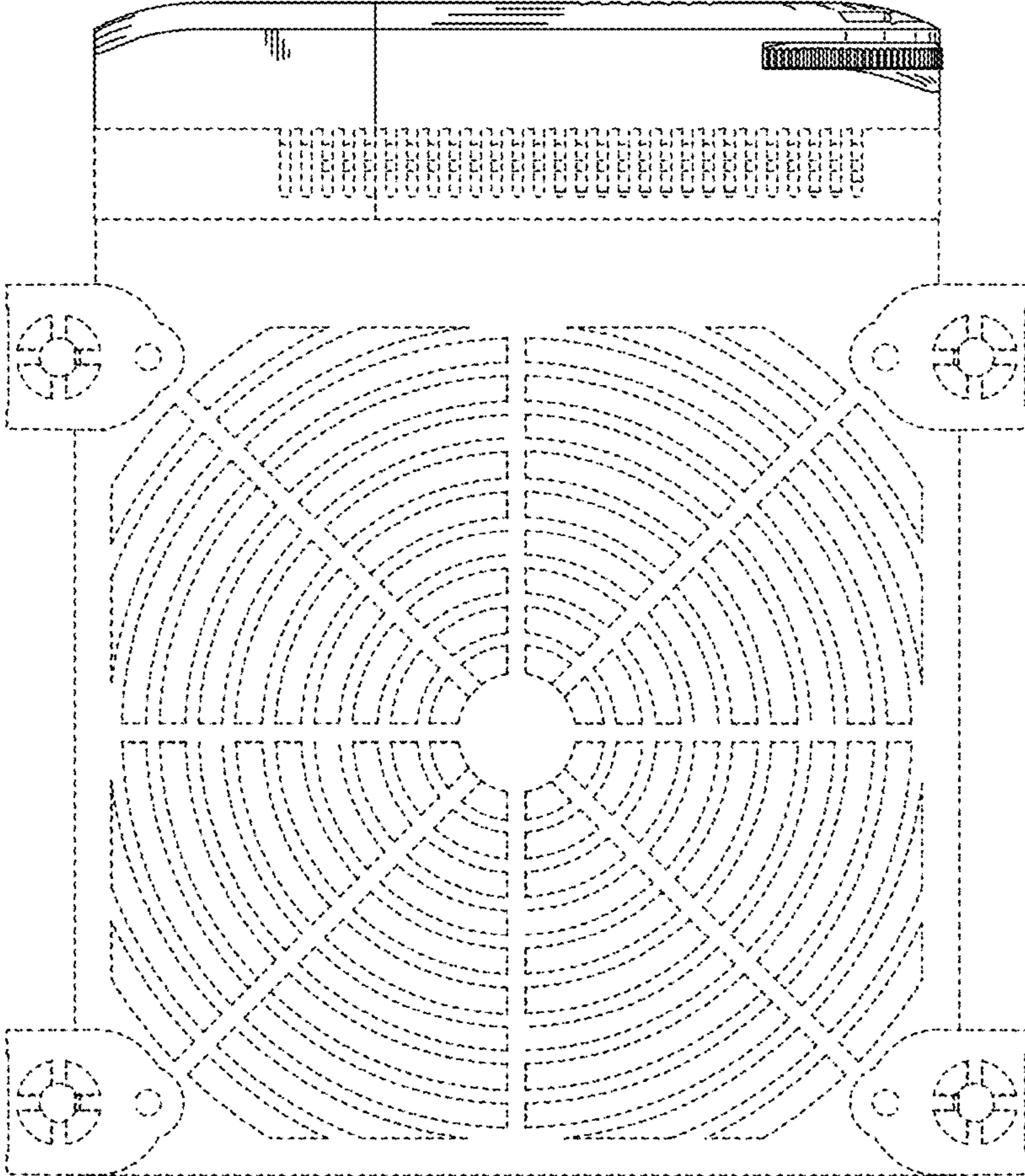


Fig. 7