



US00D804622S

(12) **United States Design Patent** (10) **Patent No.:** **US D804,622 S**
Wang et al. (45) **Date of Patent:** **** Dec. 5, 2017**

(54) **HEATER**
(71) Applicant: **Jianping Wang**, Changzhou (CN)
(72) Inventors: **Jianping Wang**, Changzhou (CN); **Jing Wang**, Changzhou (CN)
(73) Assignee: **Jianping Wang**, Changzhou (CN)
(**) Term: **15 Years**
(21) Appl. No.: **29/579,297**
(22) Filed: **Sep. 29, 2016**
(51) **LOC (10) Cl.** **23-03**
(52) **U.S. Cl.**
USPC **D23/317**
(58) **Field of Classification Search**
USPC D23/323, 328, 332, 336, 339, 342, 386,
D23/338, 317, 314, 340, 343, 346, 403
CPC F23D 14/145; F23D 14/06; F24C 3/04;
F24C 1/12; F24H 3/006; F24H 9/0057;
F24H 9/1881
See application file for complete search history.

D639,919 S * 6/2011 Yu D23/314
D640,355 S * 6/2011 Yu D23/328
D663,811 S * 7/2012 Ren D23/317
D756,496 S * 5/2016 Wang D23/332
2016/0230985 A1* 8/2016 Home F23D 14/145
2016/0348915 A1* 12/2016 Yang F24C 1/12

* cited by examiner

Primary Examiner — T. Chase Nelson
Assistant Examiner — Ania Aman
(74) *Attorney, Agent, or Firm* — CBM Patent Consulting, LLC

(56) **References Cited**
U.S. PATENT DOCUMENTS
D509,291 S * 9/2005 Cunningham D23/336
D537,154 S * 2/2007 Cunningham D23/336

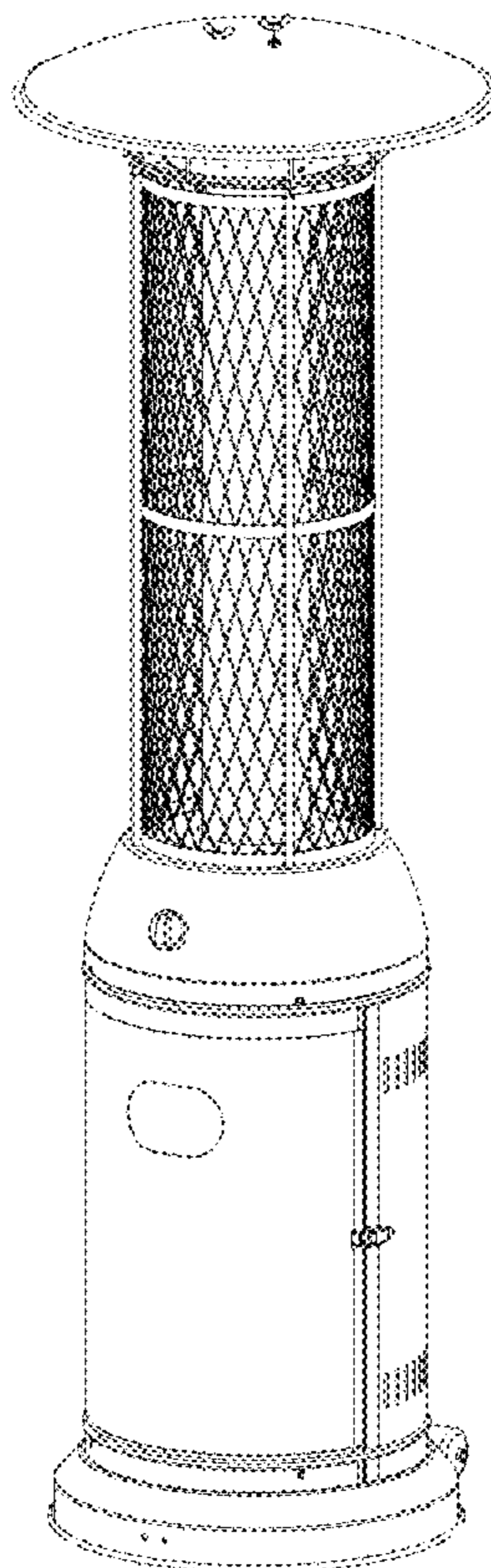
(57) **CLAIM**

The ornamental design for a heater, as shown and described.

DESCRIPTION

FIG. 1 is a top plan view of a heater showing my new design;
FIG. 2 is a front view thereof;
FIG. 3 is a rear view thereof;
FIG. 4 is a left side elevational view thereof;
FIG. 5 is a right side elevational view thereof; and,
FIG. 6 is a perspective view thereof.

1 Claim, 6 Drawing Sheets



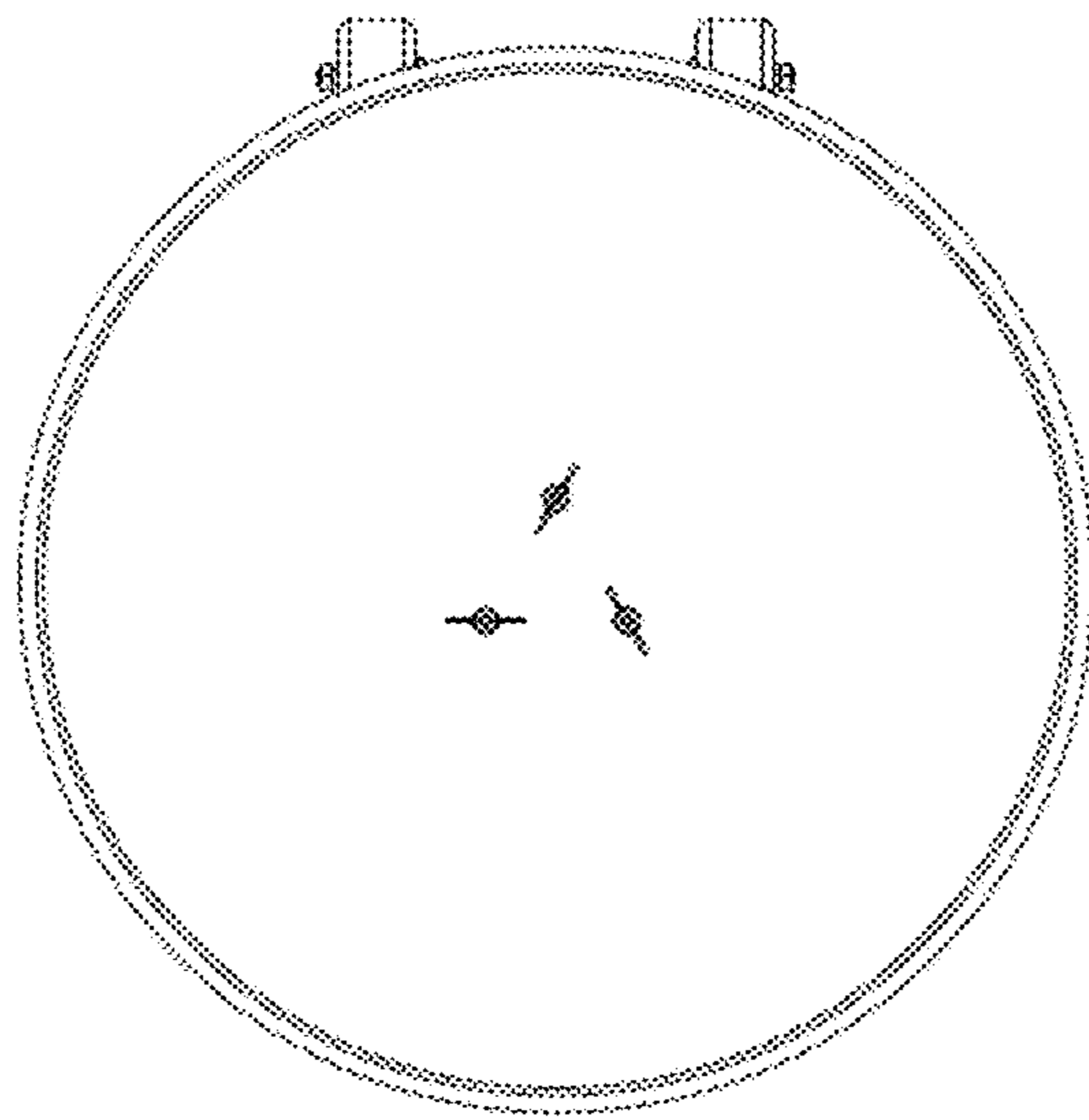


FIG. 1

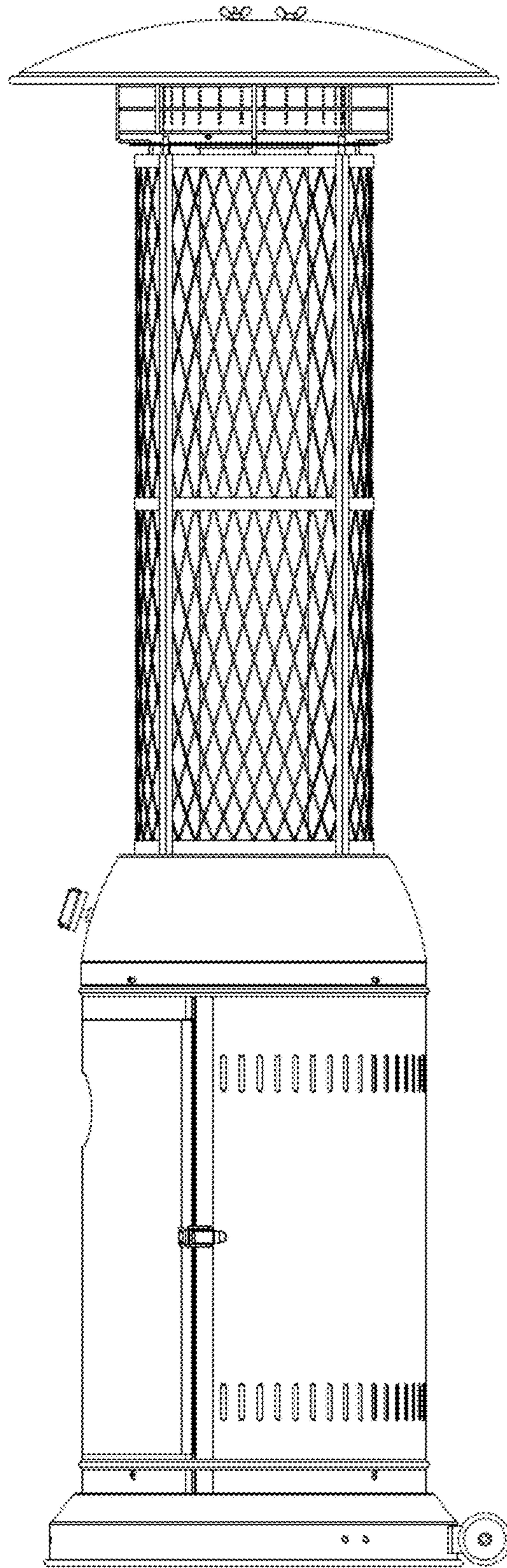


FIG. 2

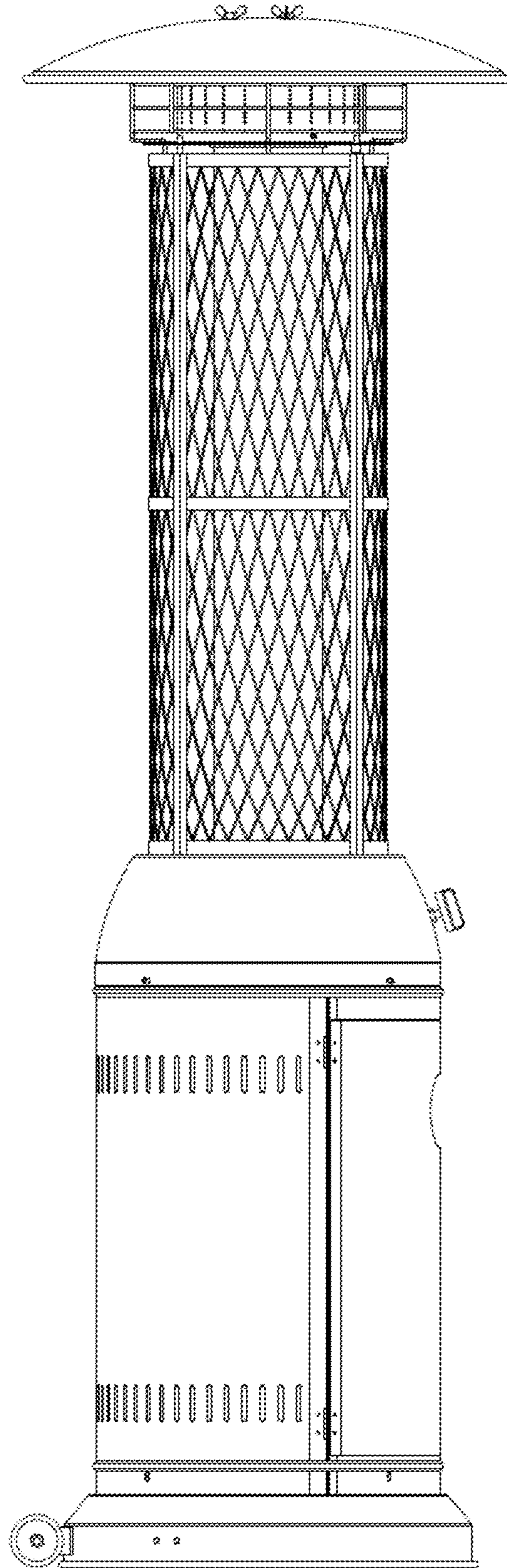


FIG. 3

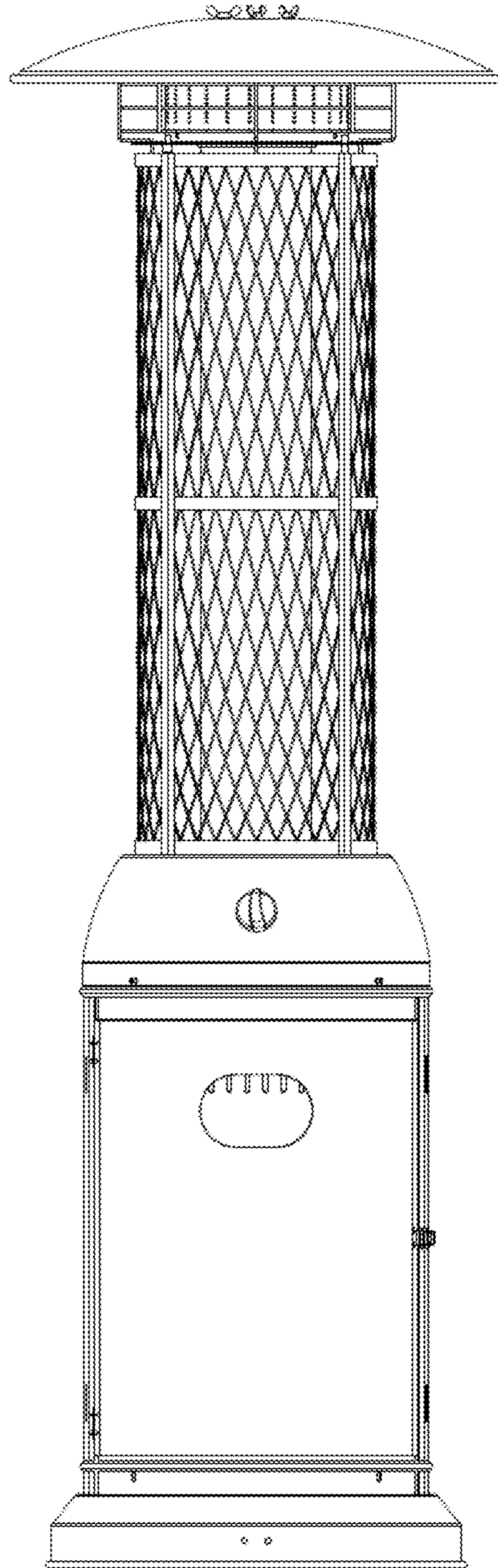


FIG. 4

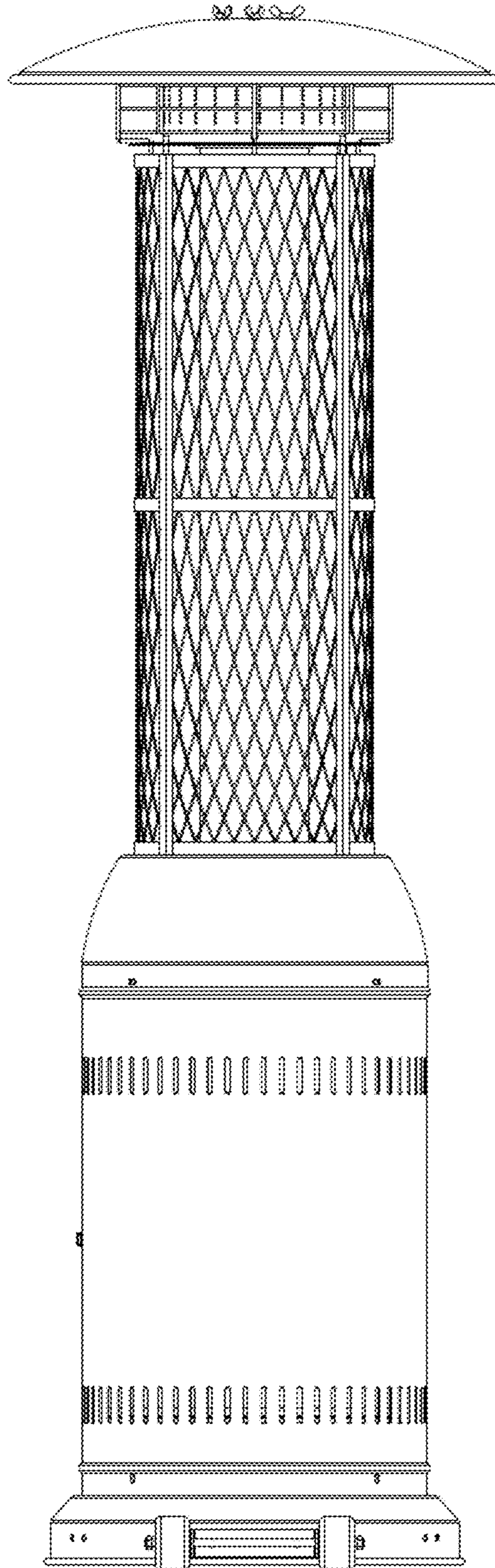


FIG. 5

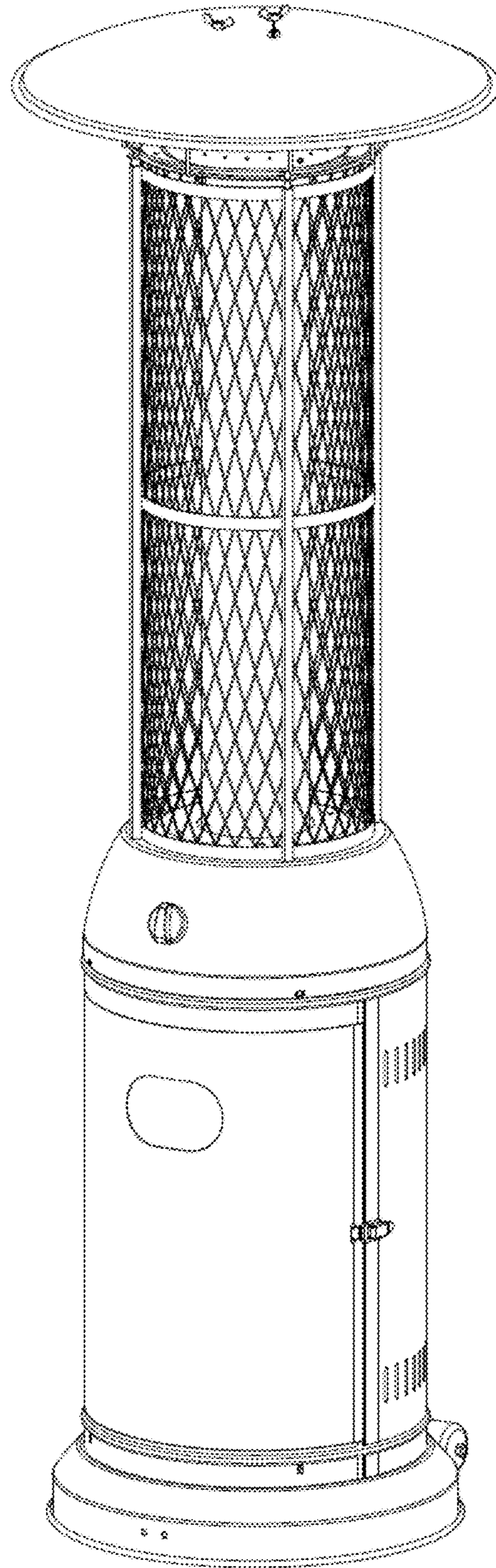


FIG. 6