



US00D804621S

(12) **United States Design Patent** (10) **Patent No.:** **US D804,621 S**
Brandli (45) **Date of Patent:** **** Dec. 5, 2017**

(54) **LAVATORY BASIN**

(71) Applicant: **Willoughby Industries Inc.**,
Indianapolis, IN (US)
(72) Inventor: **Timothy Brandli**, Zionsville, IN (US)
(73) Assignee: **Willoughby Industries, Inc.**,
Indianapolis, IN (US)

(**) Term: **15 Years**

(21) Appl. No.: **29/580,433**

(22) Filed: **Oct. 10, 2016**

(51) **LOC (10) Cl.** **23-02**

(52) **U.S. Cl.**
USPC **D23/293.1**

(58) **Field of Classification Search**
USPC D23/284–293.1, 303, 308
CPC A47K 1/04; A47B 77/06; A47J 47/20
See application file for complete search history.

(56) **References Cited**

U.S. PATENT DOCUMENTS

D507,334 S	*	7/2005	Ferrer Beltran	D23/293.1
D622,825 S	*	8/2010	LeTourneau	D23/284
D744,074 S	*	11/2015	Adkison	D23/284
D744,620 S	*	12/2015	Adkison	D23/284
D745,122 S	*	12/2015	Schonherr	D23/284
D745,951 S	*	12/2015	Schonherr	D23/284
D791,288 S	*	7/2017	Schonherr	D23/284

OTHER PUBLICATIONS

Willoughby Lavatory found online [Aug. 2, 2017]—<http://www.pmengineer.com/articles/93052-lavatory-system-from-willoughby-industries>.*

* cited by examiner

Primary Examiner — Robert M. Spear
Assistant Examiner — John A Voytek
(74) *Attorney, Agent, or Firm* — Woodard, Emhardt, Moriarty, McNett & Henry LLP; Daniel Lueders

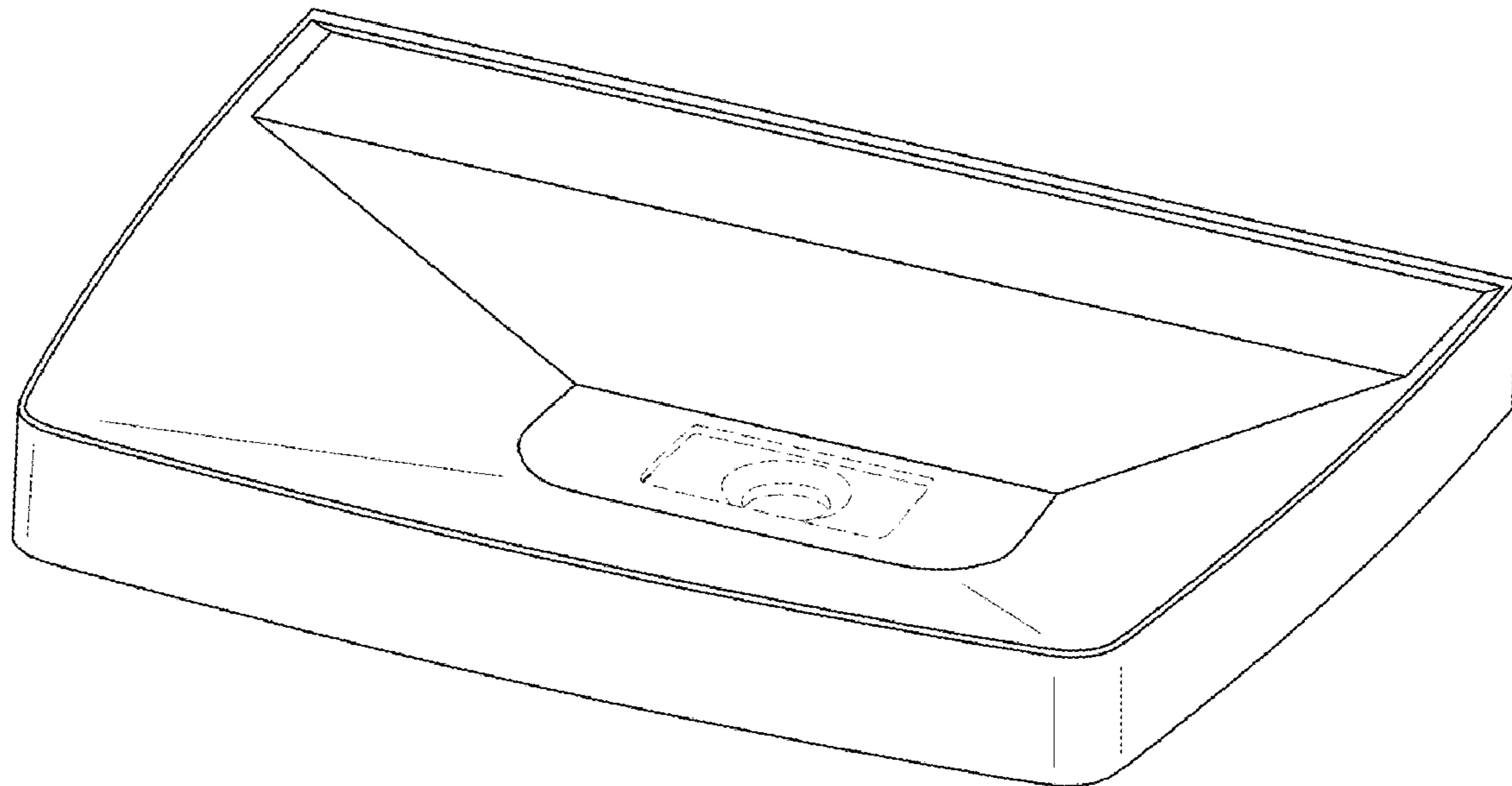
(57) **CLAIM**

The ornamental design for a lavatory basin, as shown and described.

DESCRIPTION

FIG. 1 is a perspective view of the lavatory basin.
FIG. 2 is a top plan view of the lavatory basin.
FIG. 3 is a bottom plan view of the lavatory basin.
FIG. 4 is a front elevation view of the lavatory basin.
FIG. 5 is a back elevation view of the lavatory basin.
FIG. 6 is a left elevation view of the lavatory basin; and,
FIG. 7 is a right elevation view of the lavatory basin.
The broken lines in the drawings illustrate subject matter which forms no part of the claimed design.

1 Claim, 3 Drawing Sheets



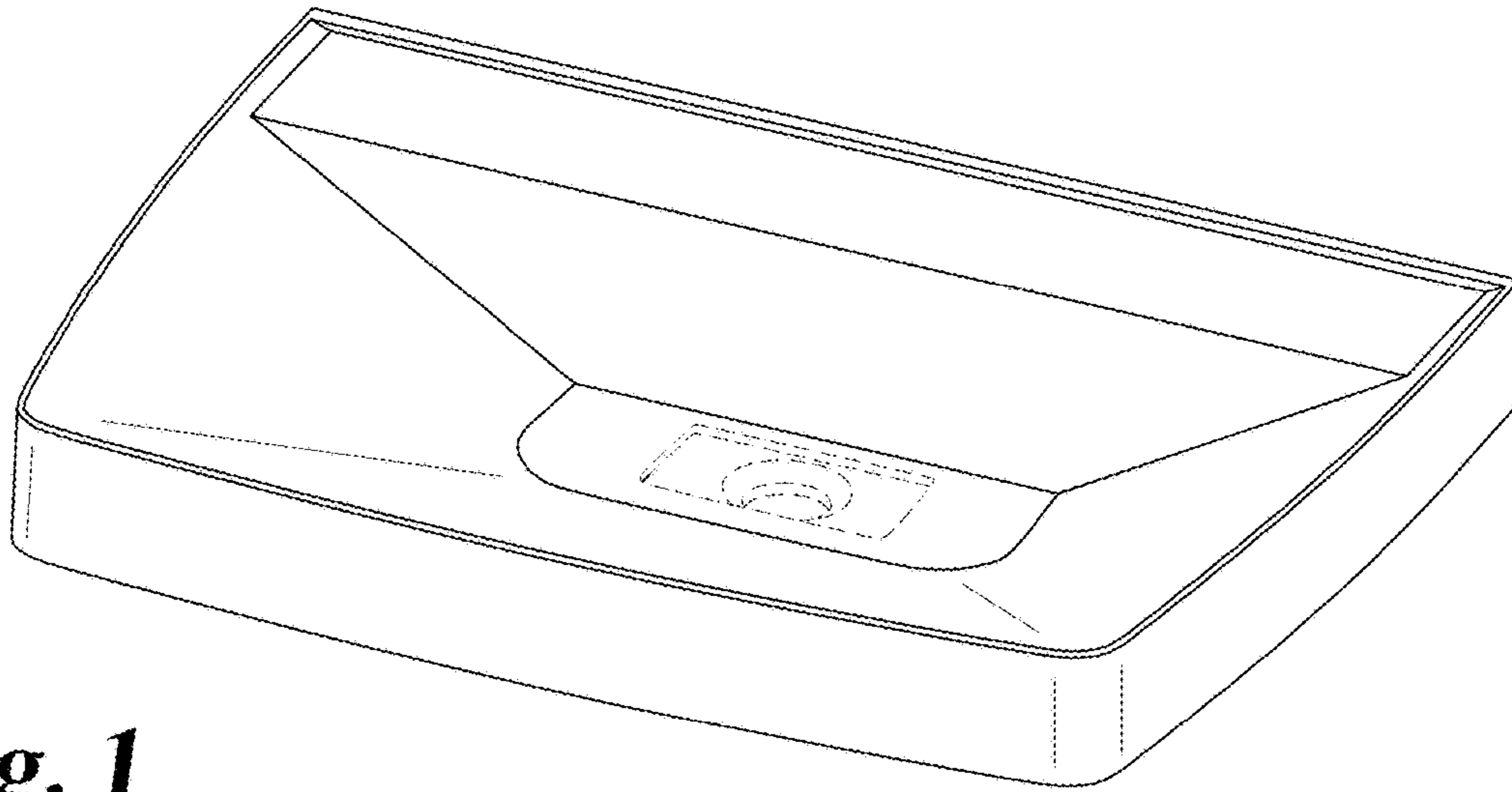


Fig. 1

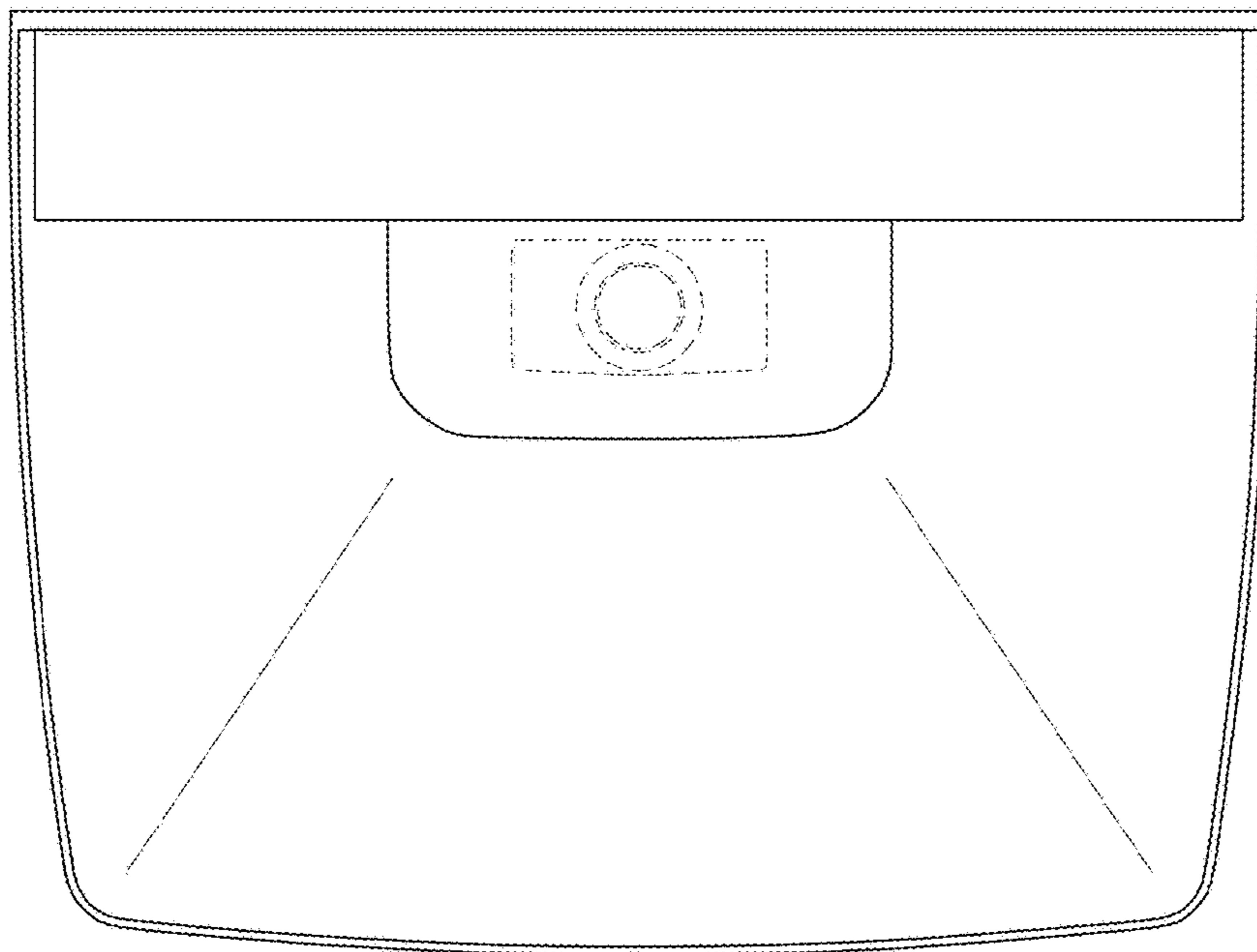


Fig. 2

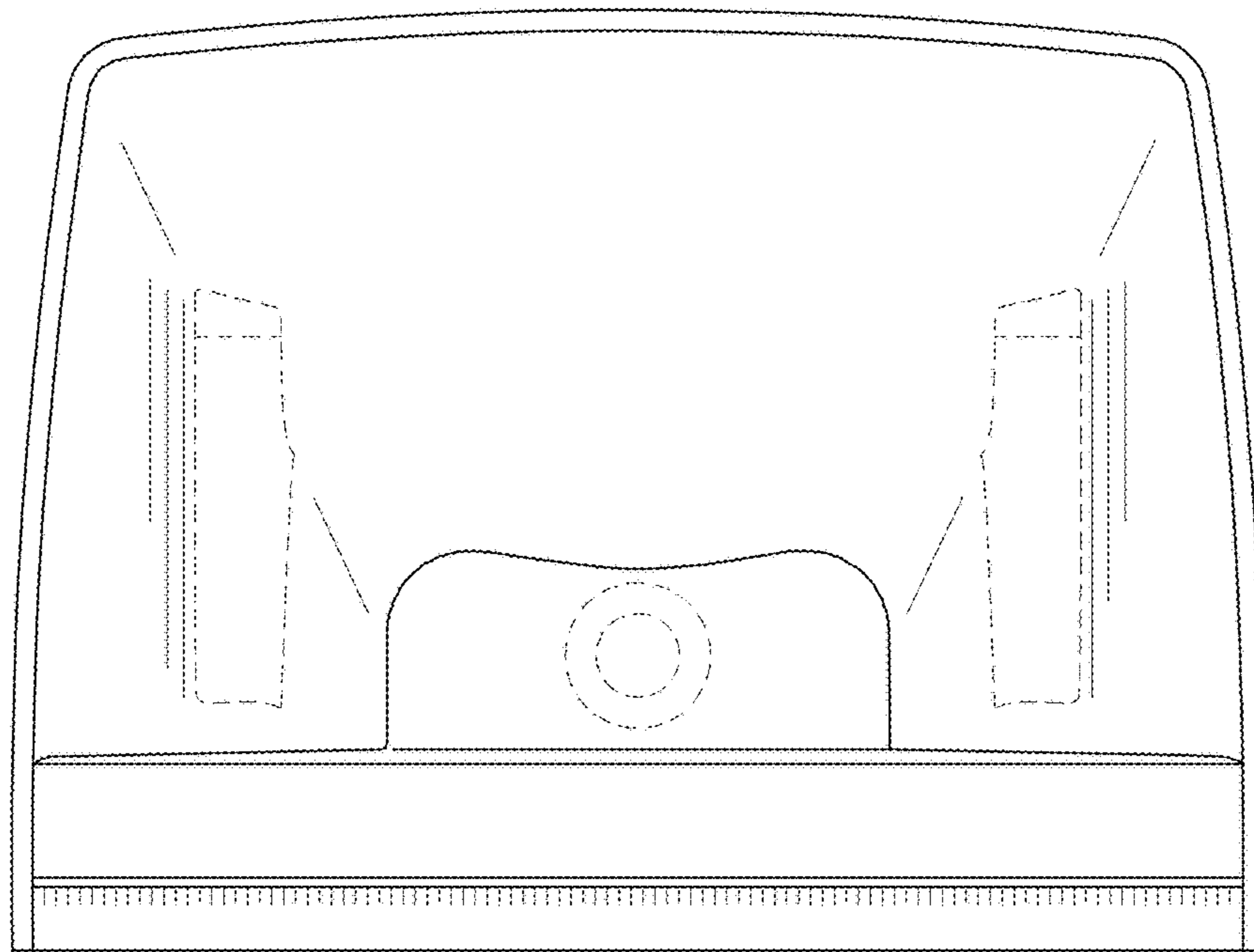


Fig. 3

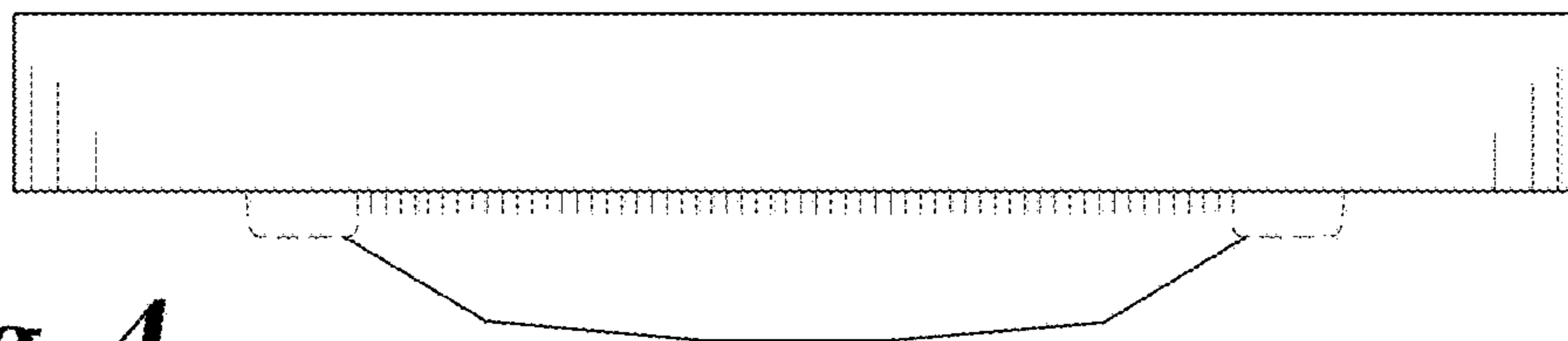


Fig. 4

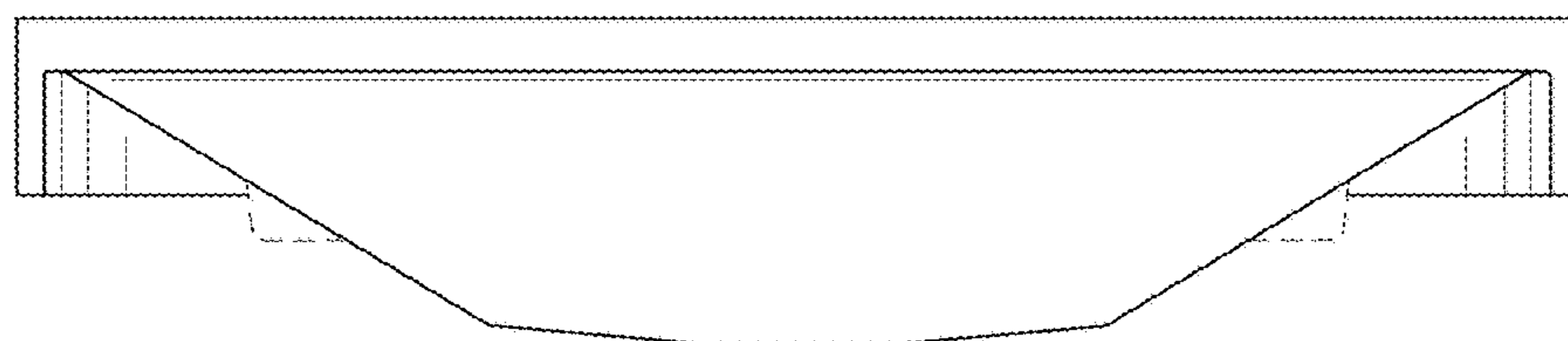


Fig. 5

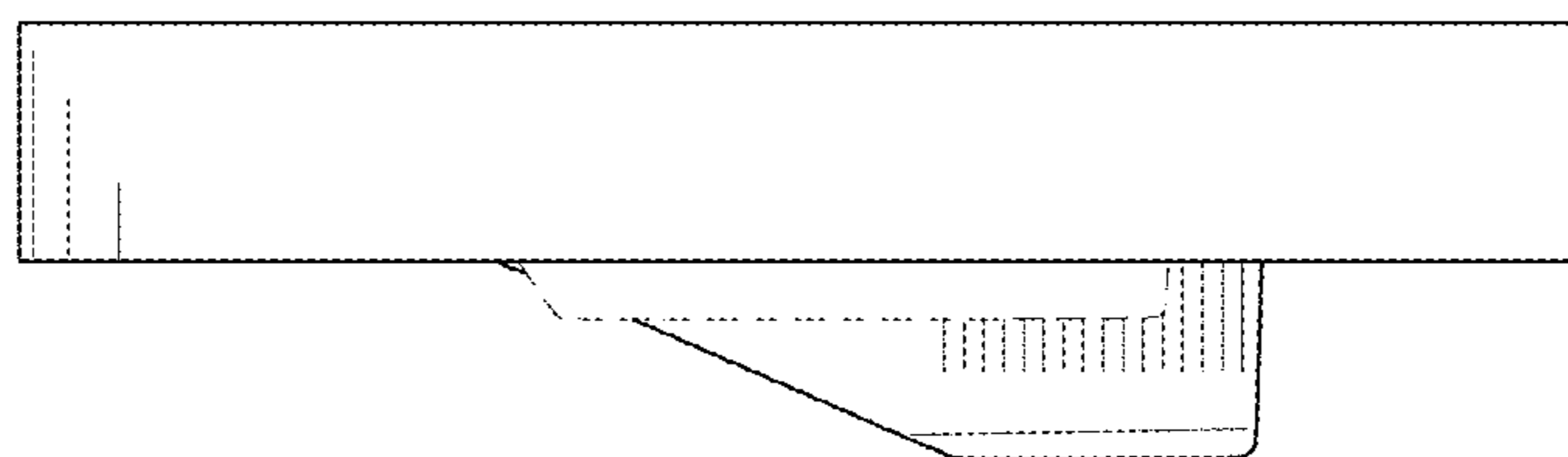


Fig. 6

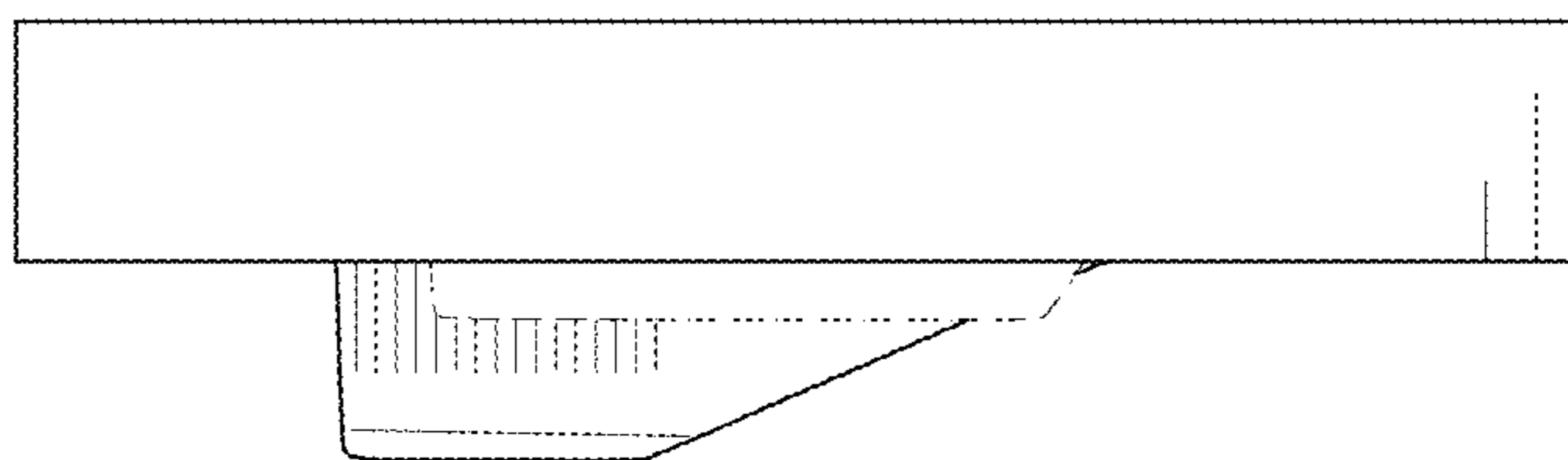


Fig. 7