



US00D804619S

(12) **United States Design Patent**
Mursu et al.

(10) **Patent No.:** **US D804,619 S**

(45) **Date of Patent:** **** Dec. 5, 2017**

(54) **HOSE FITTING**

(71) Applicant: **Rockler Companies, Inc.**, Medina, MN (US)

(72) Inventors: **Emily Anne Mursu**, Plymouth, MN (US); **Daniel Lloyd Wenning**, Minnetonka, MN (US)

(73) Assignee: **Rockler Companies, Inc.**, Medina, MN (US)

(**) Term: **15 Years**

(21) Appl. No.: **29/602,996**

(22) Filed: **May 5, 2017**

(51) **LOC (10) Cl.** **23-01**

(52) **U.S. Cl.**
USPC **D23/259**; D23/266; D32/25

(58) **Field of Classification Search**
USPC D23/213, 223, 259–266; D32/14, 25, D32/31–33, 39; 137/798; 138/122, 131, 138/133; 285/335; 15/359, 371, 373, 15/417

CPC F16L 33/227; F16L 33/22; F16L 29/007; F16L 31/00; F16L 25/0018; A47L 9/06; A47L 9/062; A47L 9/0633; A47L 9/24
See application file for complete search history.

(56) **References Cited**

U.S. PATENT DOCUMENTS

4,597,130 A * 7/1986 Lyman A47L 9/246
15/327.1
D300,574 S * 4/1989 Smith D32/31

D374,524 S * 10/1996 Harris D32/32
D407,467 S * 3/1999 McWilliams D23/260
D417,534 S * 12/1999 Holston D32/31
D633,601 S * 3/2011 Grether D23/264
D633,990 S * 3/2011 Grether D23/264
D638,918 S * 5/2011 Grether D23/263
D638,919 S * 5/2011 Grether D23/264
D652,917 S * 1/2012 Hill D24/129
D659,922 S * 5/2012 Krohmer D32/31
D686,306 S * 7/2013 Grether D23/264
D718,009 S * 11/2014 Sun D32/31

* cited by examiner

Primary Examiner — Eric L Goodman

Assistant Examiner — Amy C Wierenga

(74) *Attorney, Agent, or Firm* — James L. Young; Westman, Champlin & Koehler, P.A.

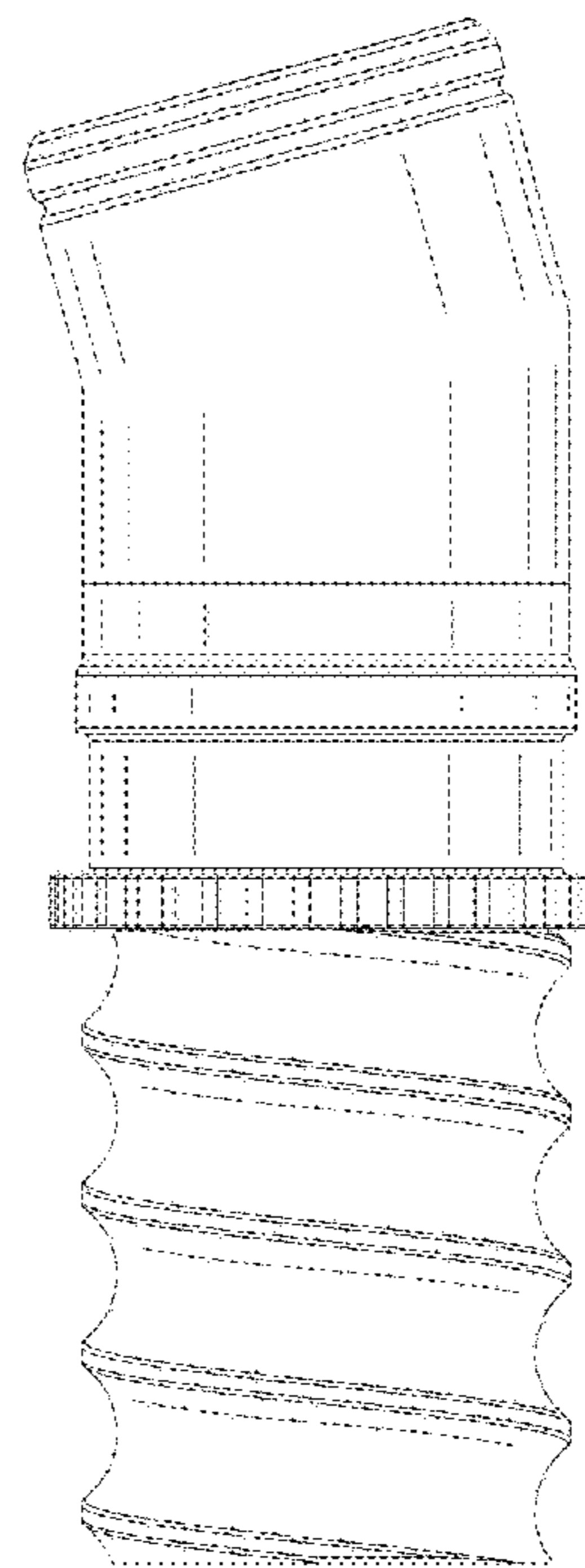
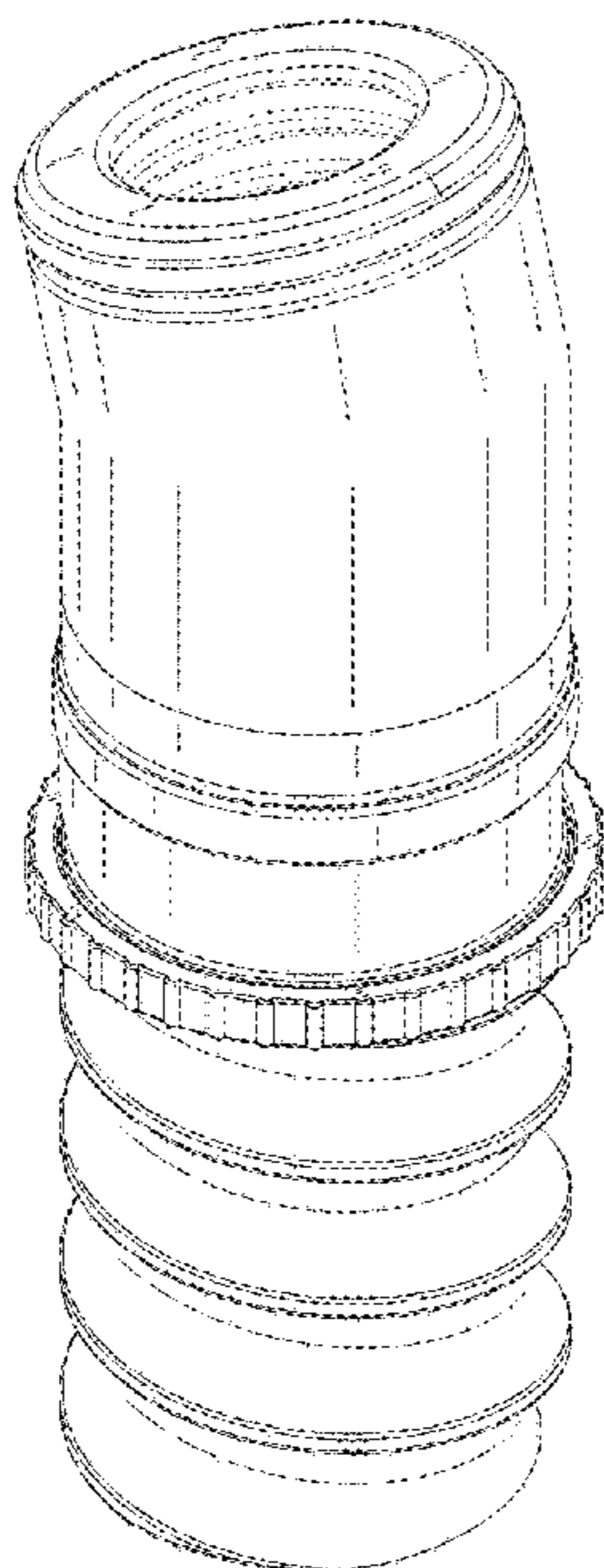
(57) **CLAIM**

The ornamental design for a hose fitting, as shown and described.

DESCRIPTION

FIG. 1 is a perspective view of a hose fitting;
FIG. 2 is a front view of the hose fitting of FIG. 1;
FIG. 3 is a rear view of the hose fitting of FIG. 1;
FIG. 4 is a side view of the hose fitting of FIG. 1 (as taken from the left of FIG. 2);
FIG. 5 is a side view of the hose fitting of FIG. 1 (as taken from the right of FIG. 2);
FIG. 6 is a top view of the hose fitting of FIG. 1; and,
FIG. 7 is a bottom view of the hose fitting of FIG. 1.
The broken lines shown in the drawings depict portions of the hose fitting that form no part of the claim.

1 Claim, 6 Drawing Sheets



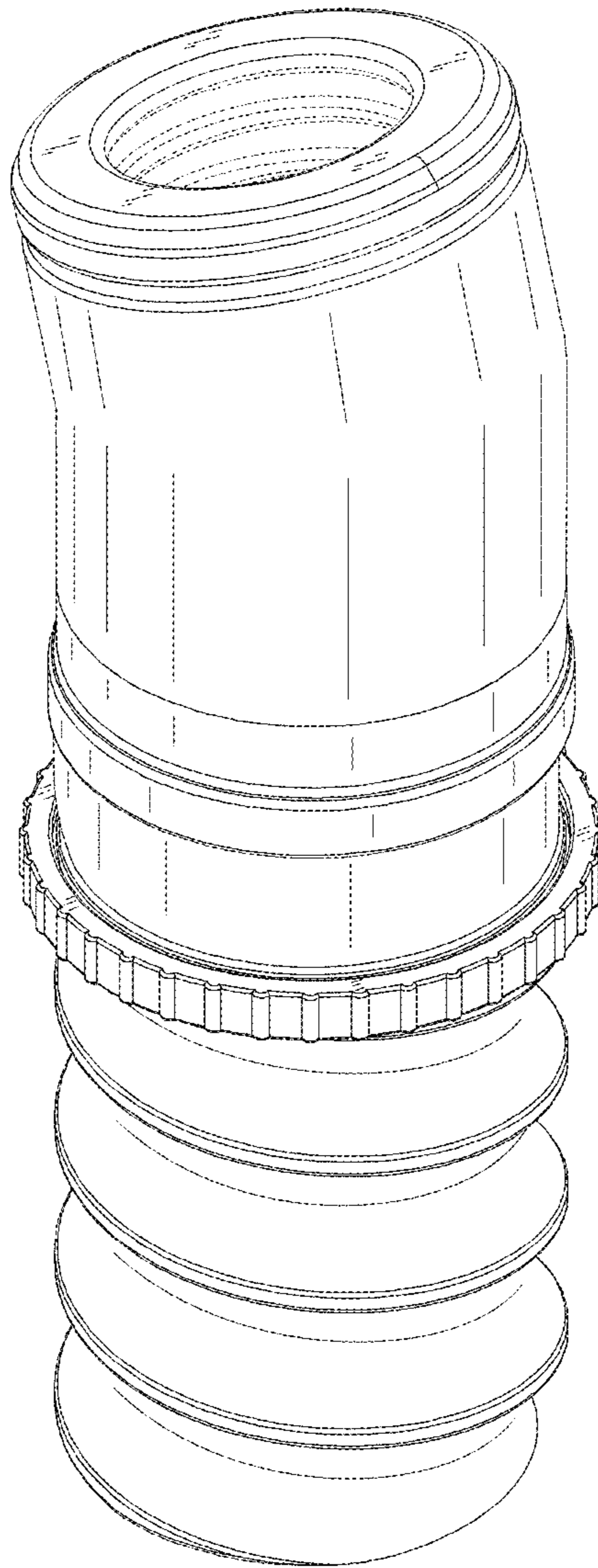


FIG. 1

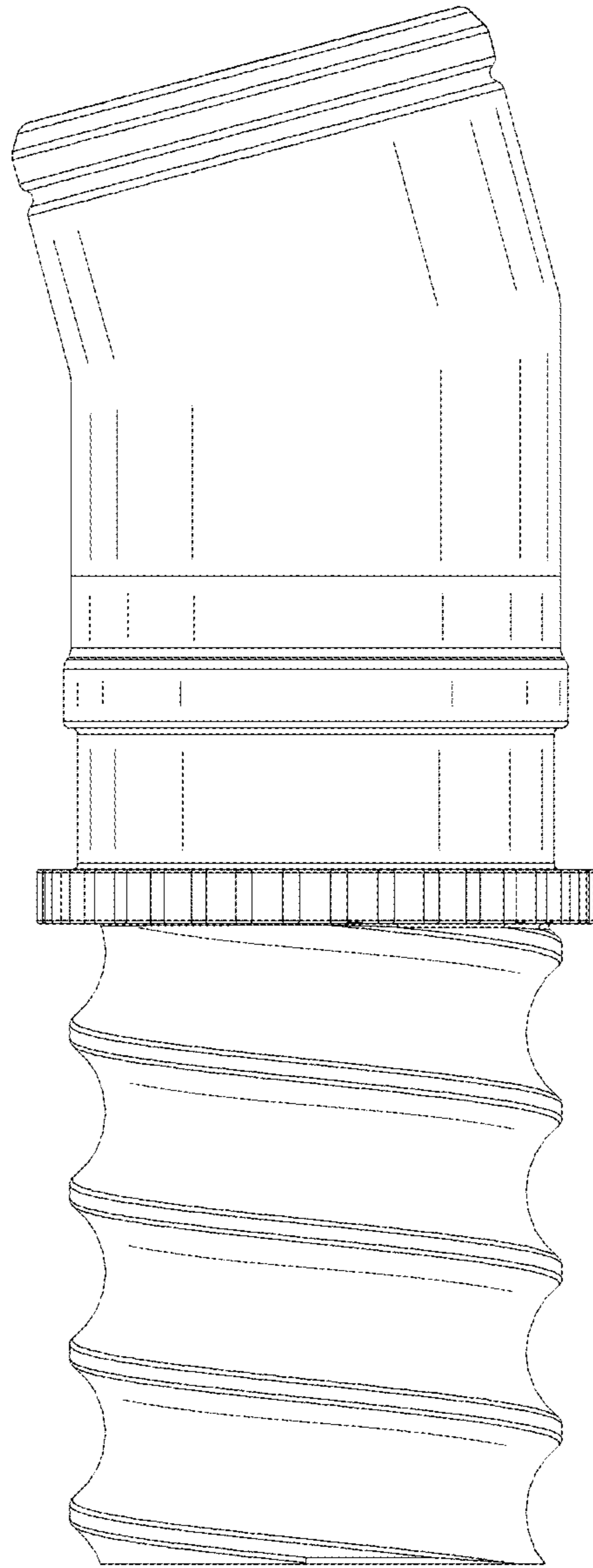


FIG. 2

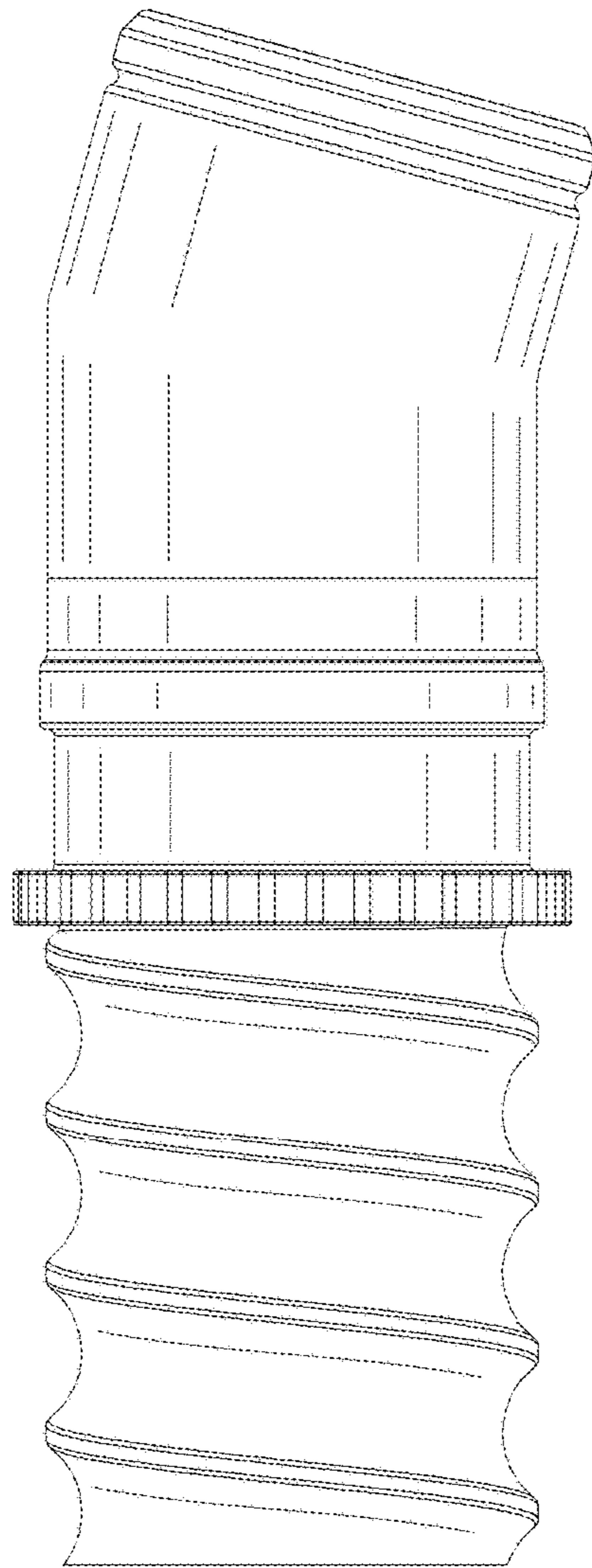


FIG. 3

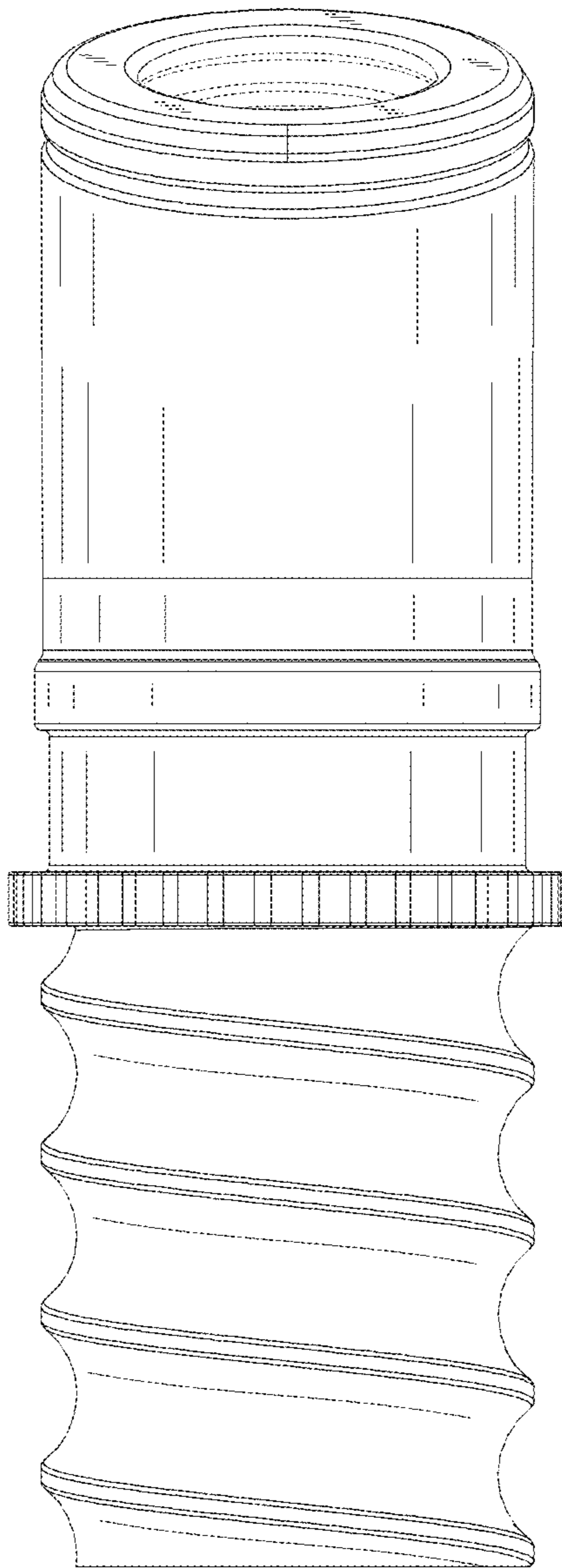


FIG. 4

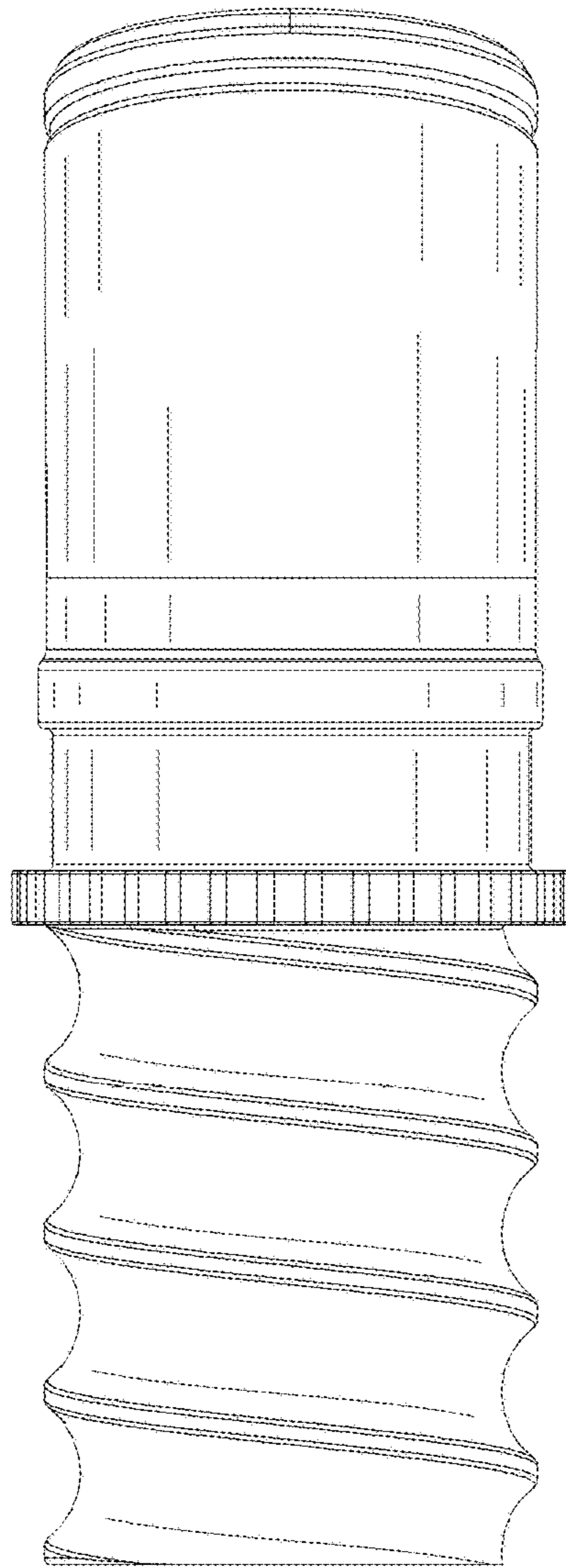


FIG. 5

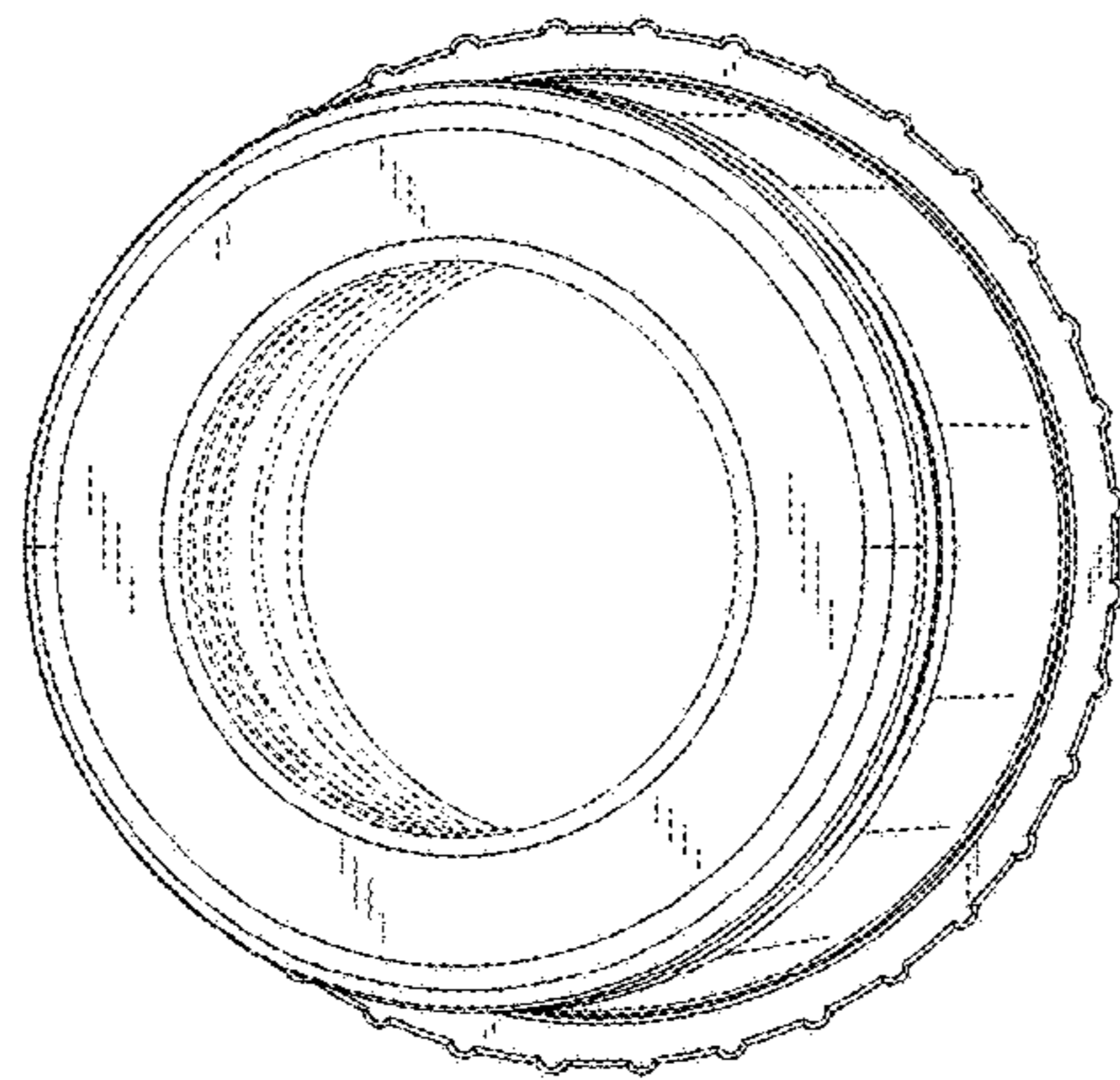


FIG. 6

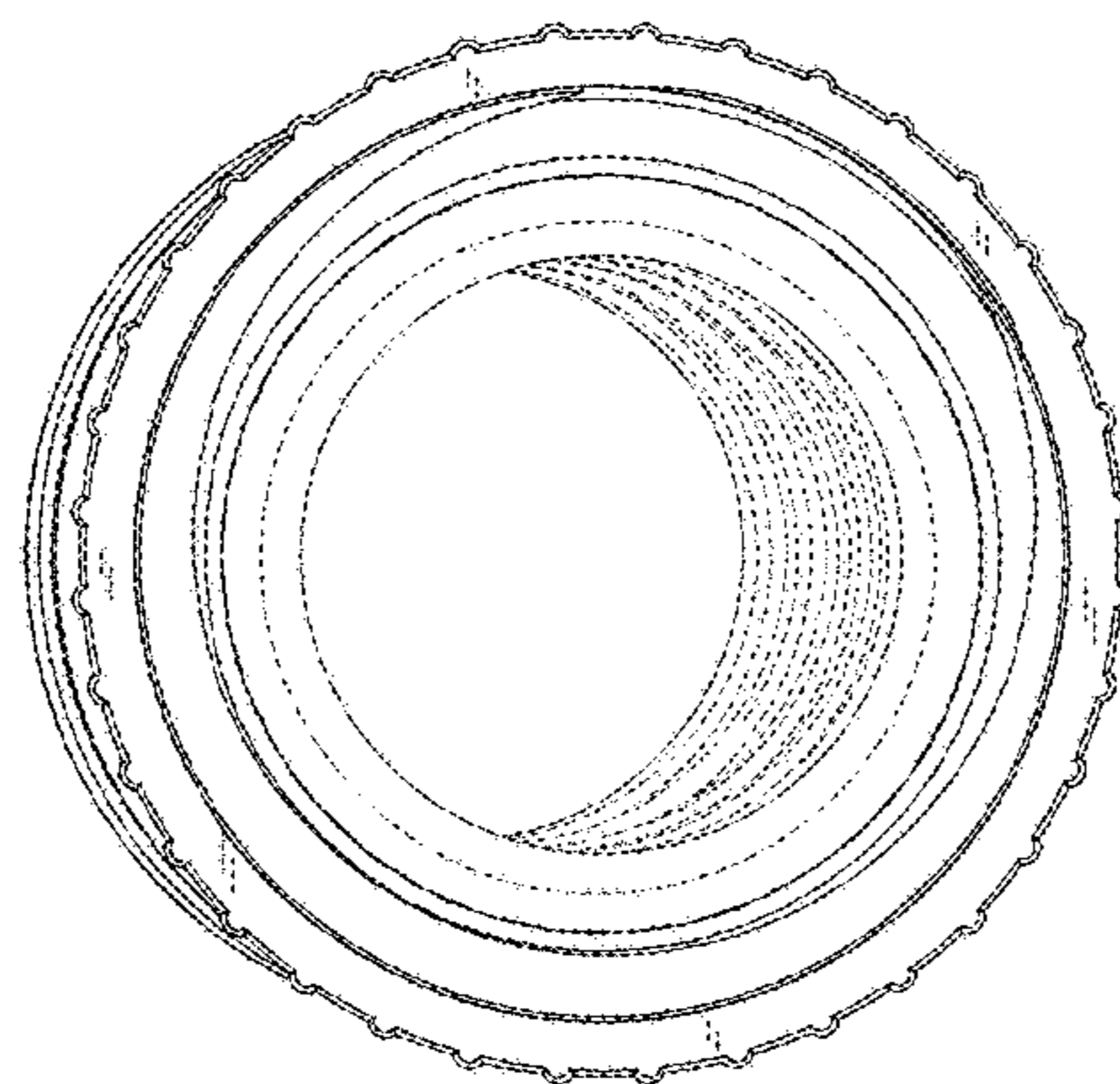


FIG. 7

UNITED STATES PATENT AND TRADEMARK OFFICE
CERTIFICATE OF CORRECTION

PATENT NO. : D804,619 S
APPLICATION NO. : 29/602996
DATED : December 5, 2017
INVENTOR(S) : Emily Anne Mursu and Daniel Lloyd Wenning

Page 1 of 1

It is certified that error appears in the above-identified patent and that said Letters Patent is hereby corrected as shown below:

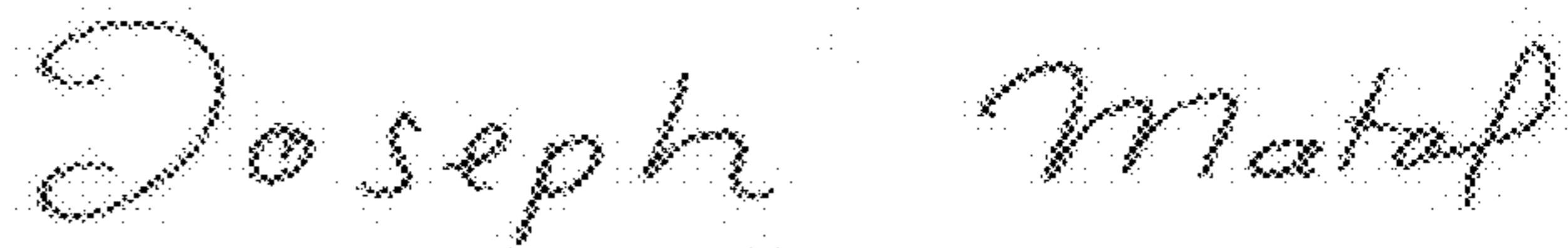
On the Title Page

Following the filing date, add the following:

Related U.S. Application Data

Division of application No. 29/548,644, filed on December 15, 2015, now Patent No. Des. 802,102.

Signed and Sealed this
Thirtieth Day of January, 2018



Joseph Matal

*Performing the Functions and Duties of the
Under Secretary of Commerce for Intellectual Property and
Director of the United States Patent and Trademark Office*