



US00D804618S

(12) **United States Design Patent**
Hurley

(10) **Patent No.:** **US D804,618 S**

(45) **Date of Patent:** **** Dec. 5, 2017**

- (54) **AC CONDENSATE DRAIN LINE EVACUATION ADAPTER**
- (71) Applicant: **Mark Hurley**, Boynton Beach, FL (US)
- (72) Inventor: **Mark Hurley**, Boynton Beach, FL (US)
- (**) Term: **15 Years**
- (21) Appl. No.: **29/551,867**
- (22) Filed: **Jan. 18, 2016**
- (51) **LOC (10) Cl.** **23-01**
- (52) **U.S. Cl.**
USPC **D23/259**
- (58) **Field of Classification Search**
USPC D23/259-263, 265-269, 213, 247, 341,
D23/354, 358, 386; D32/35; 285/93,
285/123.3, 148.23, 148.24, 179; 134/172
CPC F16L 37/252; F24F 13/222
See application file for complete search history.

- 8,985,635 B2 * 3/2015 Hurley F24F 13/222
285/179
- D729,357 S * 5/2015 Ball E03C 1/20
D23/263
- D744,072 S * 11/2015 Wildfang D23/266
- 2004/0046386 A1 * 3/2004 Chien F16L 37/148
285/276
- 2014/0062077 A1 * 3/2014 Hurley F24F 13/222
285/7

* cited by examiner

Primary Examiner — Eric L Goodman
Assistant Examiner — Amy C Wierenga
(74) *Attorney, Agent, or Firm* — McHale & Slavin, P.A.

(57) **CLAIM**

The ornamental design for an AC condensate drain line evacuation adapter, as shown and described.

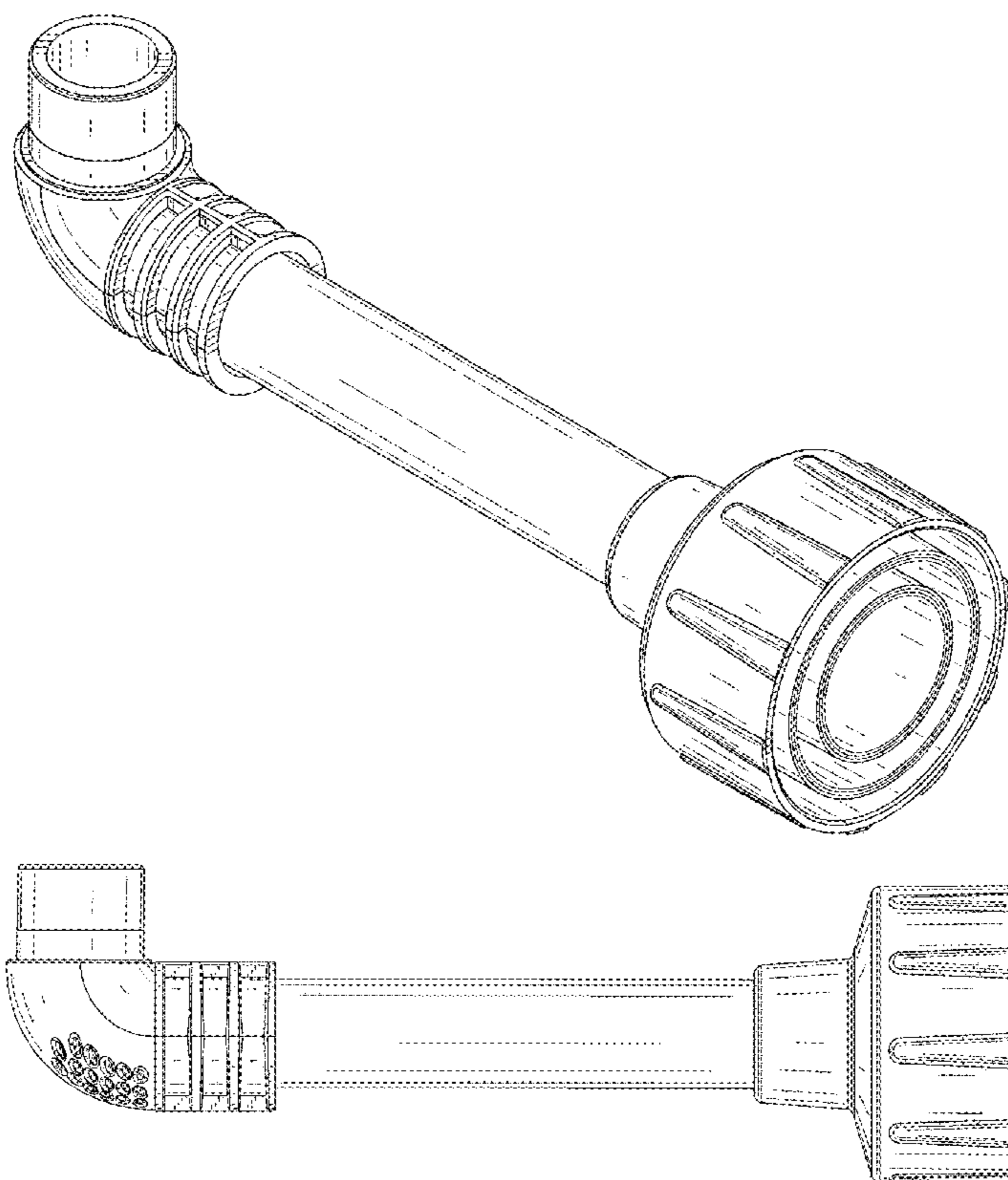
DESCRIPTION

FIG. 1 is a perspective view of an AC condensate drain line evacuation adapter of the instant invention; FIG. 2 is a left side view thereof, the right side view (not shown) forming a mirror image thereof; FIG. 3 is a front view thereof; FIG. 4 is a back view thereof; FIG. 5 is a top view thereof; and, FIG. 6 is a bottom view thereof. The dashed broken lines in the drawings depict portions of the article that form no part of the claim.

1 Claim, 6 Drawing Sheets

(56) **References Cited**
U.S. PATENT DOCUMENTS

- 4,805,942 A * 2/1989 Goodridge F16L 33/224
285/179
- D365,625 S * 12/1995 Bova D23/266
- D396,730 S * 8/1998 Schaupp D23/259
- 6,953,049 B2 * 10/2005 Kowalke B65H 75/40
137/355.16
- D638,911 S * 5/2011 Laski D23/213
- D676,533 S * 2/2013 Clarke D23/263



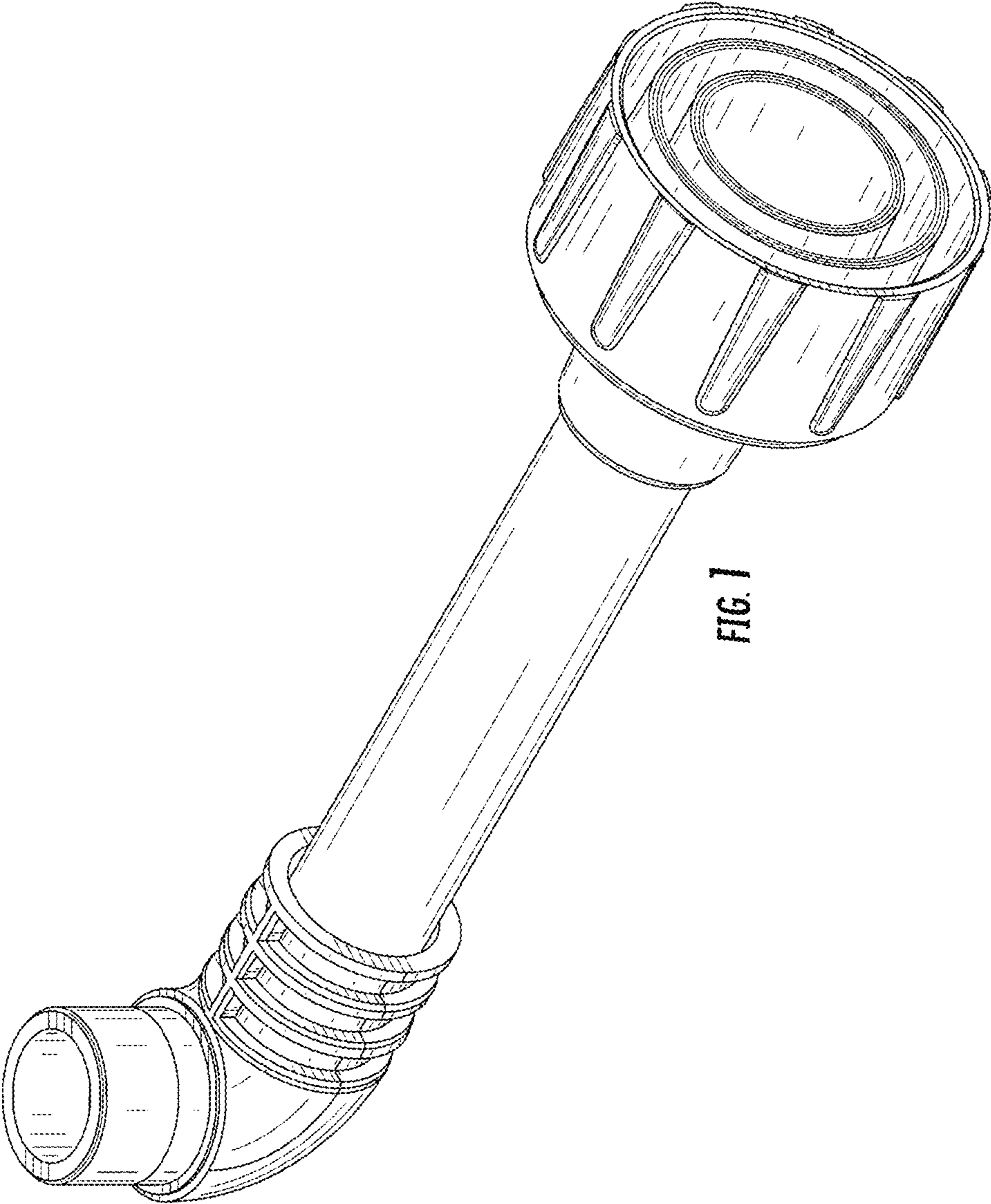


FIG. 1

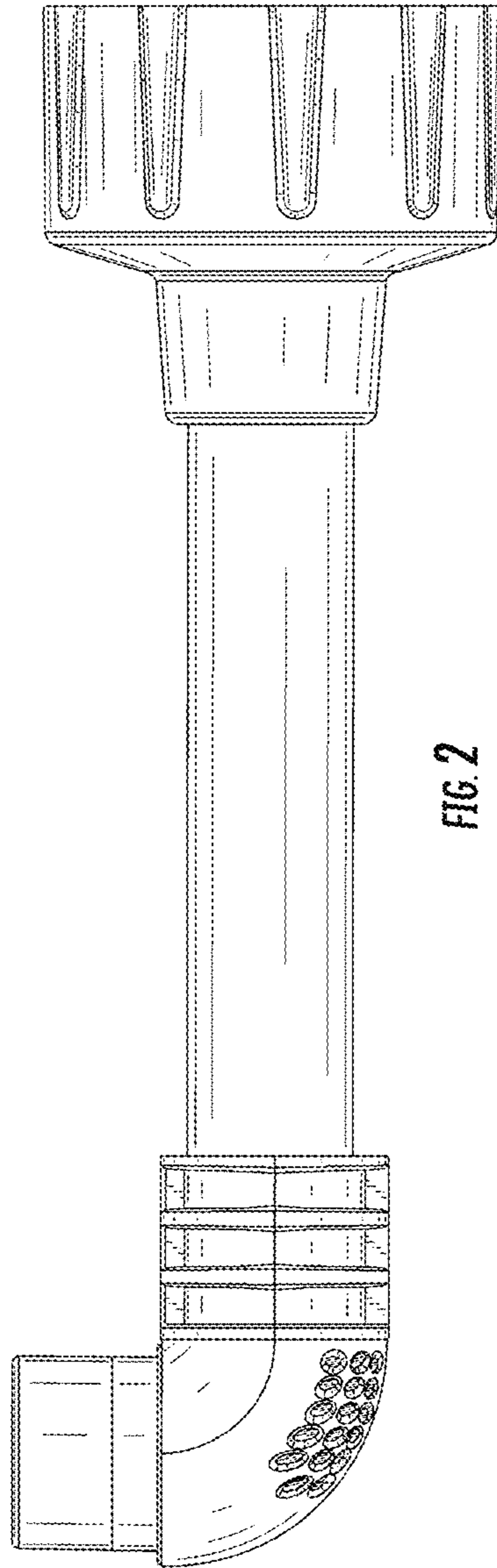


FIG. 2

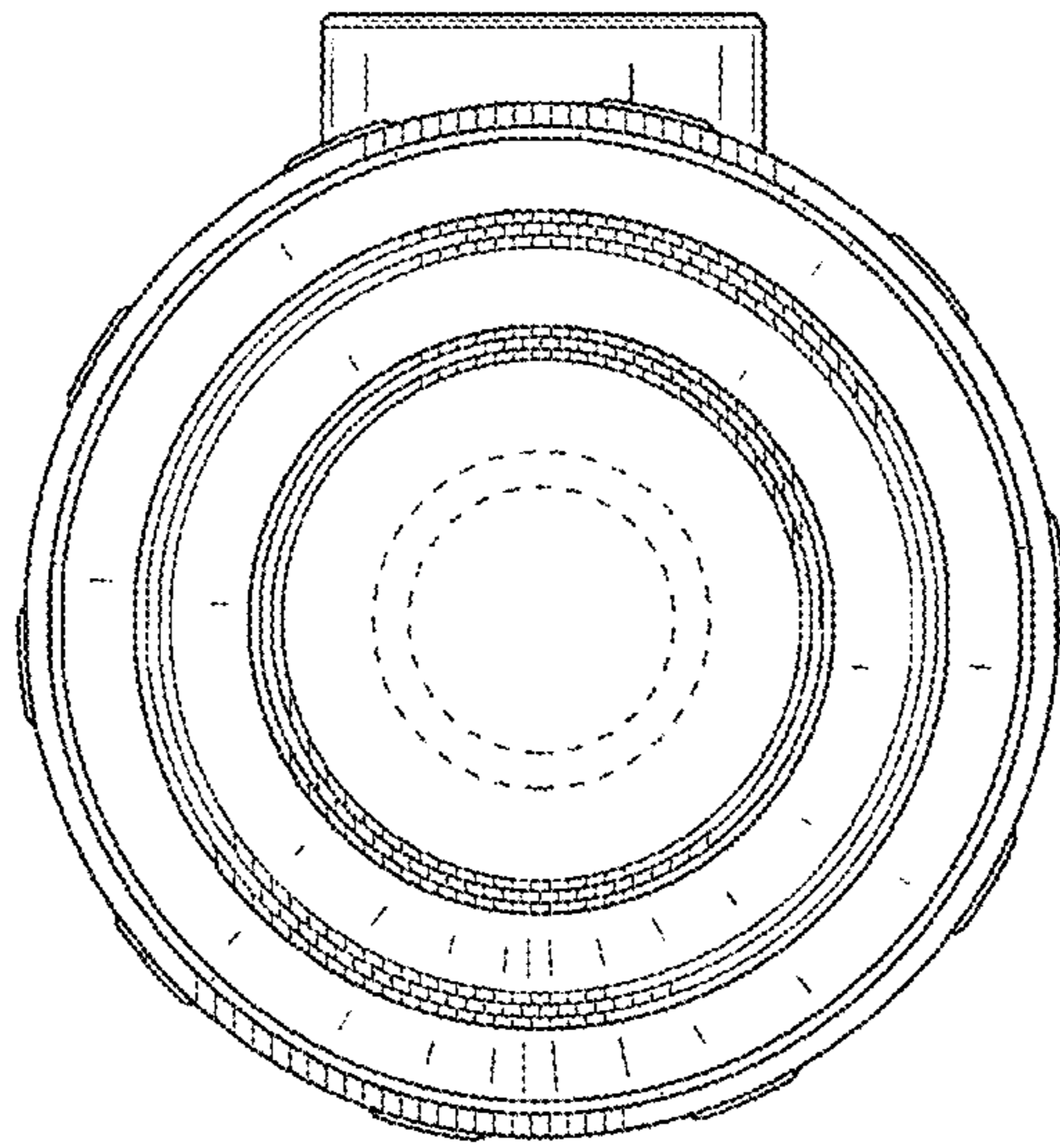


FIG. 3

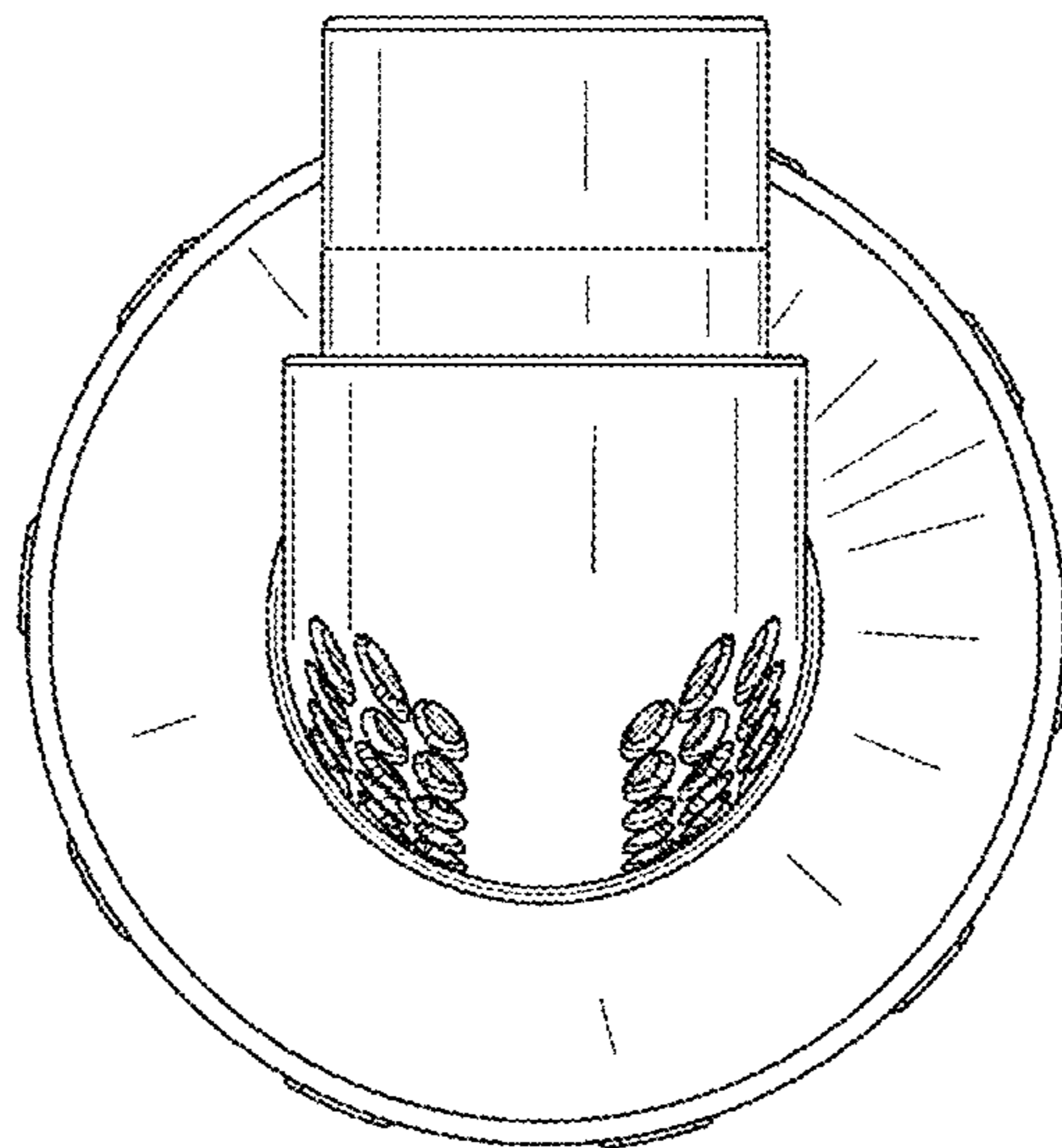


FIG. 4

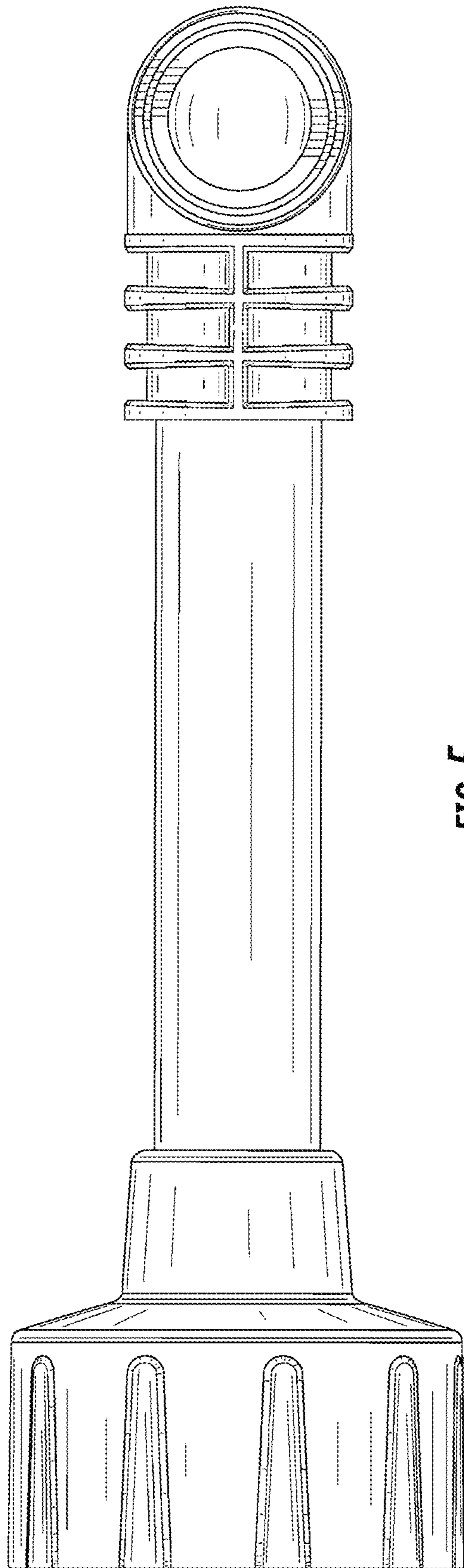


FIG. 5

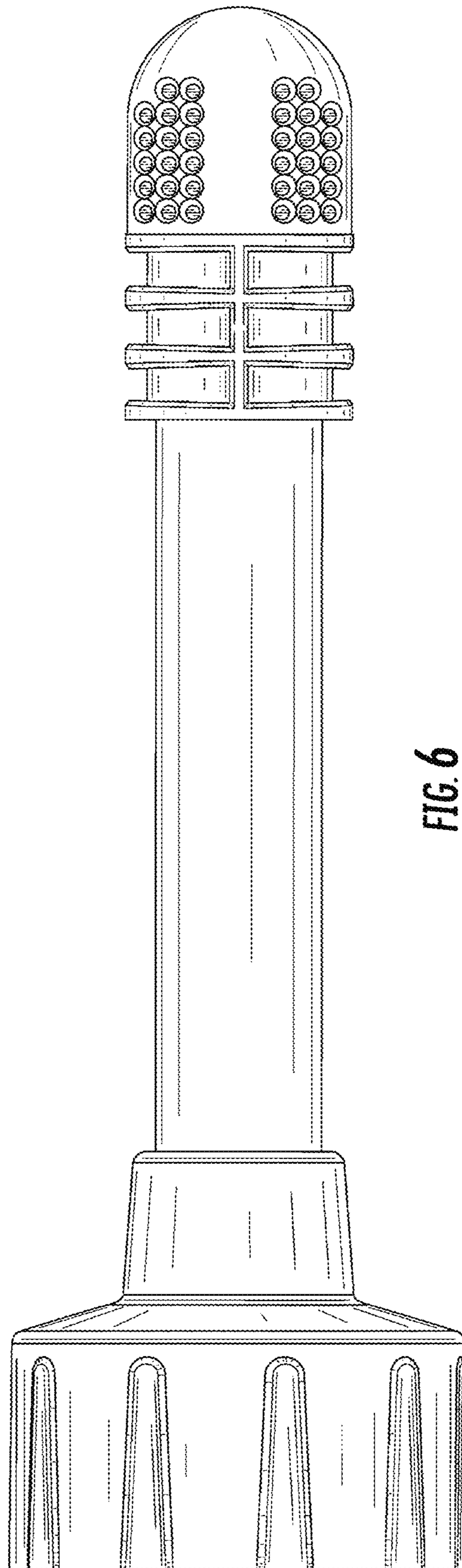


FIG. 6